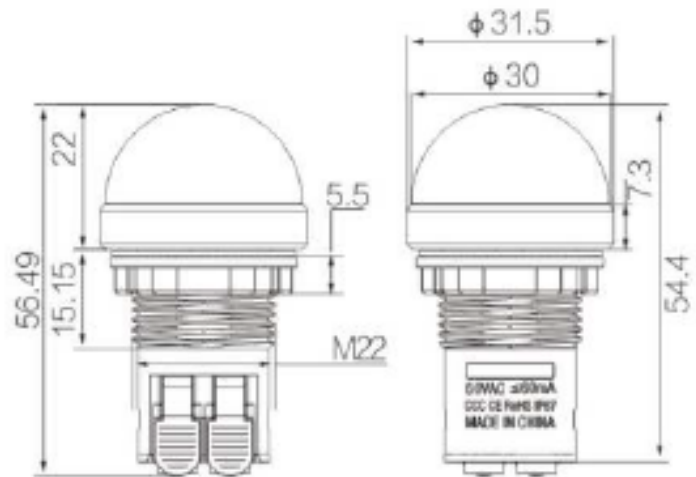




## IL-SP – LED



### Specifications:

Expected LED life 50,000 hours

Current: 20mA

Light Dispersion: 360 degrees

Materials: Aluminum, Plastic

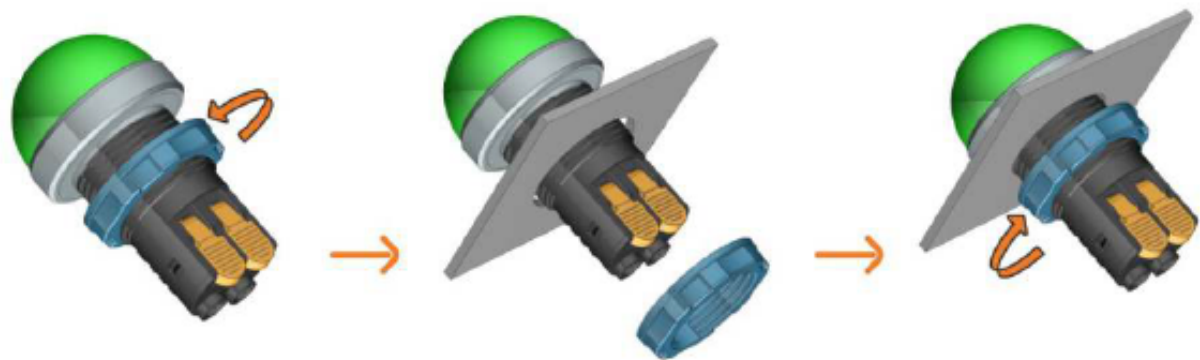
Weight: 25.5 g

Connection: Plug In

Voltage: 24V AC/DC, 110V AC/DC models available

Rating - IP67, CE, ROHS

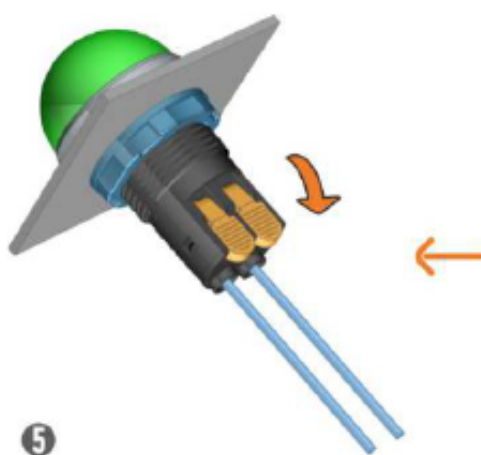
## Install



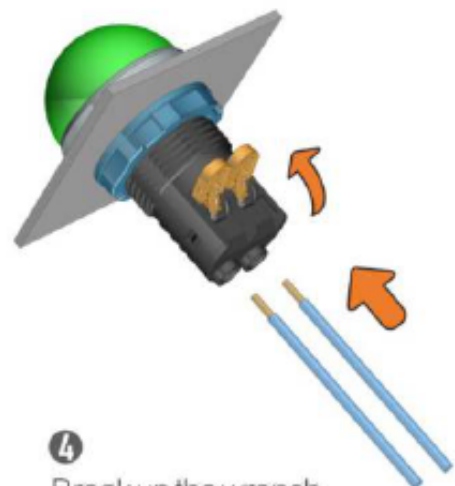
**1**  
Turn the nut clockwise

**2**  
The head is loaded into the  
open 22.2mm panel  
Thickness of panel < 55mm

**3**  
0.4-0.6N.m  
Tighten the nut  
counterclockwise



**5**  
Press down the wrench  
and the wire locks up



**4**  
Break up the wrench  
Insert the wire