



**Super-automatic coffee machines**

**S15**

**INDEX**

S15 - GENERIC TABLE .....	3
PRIMARY SPARE PARTS .....	5
KIT PPM S15 .....	7
HYDRAULIC CIRCUIT .....	9
S15 SELF - HYDRAULIC CIRCUIT .....	10
COACHWORK .....	11
COACHWORK .....	13
S15 SELF - COACHWORK .....	15
CONTROL PANEL .....	17
BOILER EQUIPMENT .....	19
BOILER EQUIPMENT-RESISTANCE .....	21
STEAM DISPENSING NOZZLE .....	23
HOT WATER DISPENSING NOZZLE .....	25
HYDRAULIC CIRCUIT/VUBRATION PUMP .....	27
S15 SELF - HYDRAULIC CIRCUIT/VUBRATION PUMP .....	29
COFFEE CIRCUITS .....	31
STEAM CIRCUITS .....	33

MILK CIRCUITS .....	35
S15 SELF - MILK CIRCUITS .....	37
SOLUBLE CIRCUITS .....	39
DELIVERY SPOUT .....	41
COFFEE GROUP .....	43
ELECTRICAL BOX/ELECTRIC COMPONENTS .....	45
ELECTRICAL BOX/ELECTRIC COMPONENTS .....	47
COFFEE-GRINDER/GRINDING SECTION .....	49
HOPPERS BASE .....	51
COFFEE HOPPERS .....	53
S15 SELF - COFFEE HOPPERS .....	55
SOLUBLE HOPPERS .....	57
S15 SELF - SOLUBLE HOPPERS .....	59

Pos	Part Number	Description	Validity	Notes
-	917764010	COMPLETE COFFEE GROUP 14G D38		
	⇌ 917764000	COFFEE GROUP 14G diam 38		
-	917765010	COMPLETE COFFEE GROUP 20G D46		
	⇌ 917765000	COFFEE GROUP 20G diam 46		
-	536247070	S15 - solenoid valve + panel		
	⇌ 536247030	S15 - EV+Panel		
-	536248060	S15 - Sensors+Power+Motors		
	⇌ 536248020	S15 - Sensors+Power+Motors		
-	532306000F	WIRED TUBE 3/8-3/4GAS at 90 DEGREES		
	⇌ 532305800F	3/4 GAS 90# - 3/8 GAS PIPE		
-	533905710F	WATER INLET VALVE		
	⇌ 533905700F	WATER INLET VALVE		
-	917729020	BODY AND ADJUSTABLE RING NUT		
	⇌ 917729010	BODY AND ADJUSTABLE RING NUT		
-	536240040	DRAWER SENSOR WIRING		
-	536248060	S15 - Sensors+Power+Motors		
	⇌ 536248040	SENSORS+POWER SUPPLY UNITS+MOTORS		
-	981013002F	CARTRIDGE COVER		
-	534194300	STANDARD LOCK		
-	917146010	SPOUT MOVEMENT RACK		
	⇌ 917146000	TOOTHING		
-	532306000F	WIRED TUBE 3/8-3/4GAS at 90 DEGREES		
	⇌ 532305810F	WIRED TUBE 3/4 GAS ANGLE 90°		
-	917761010	S15 GROUP FRONT SUBASSY, DIAM 38		
	⇌ 917761000	GROUP FRONT PANEL 14G diam 38		
-	917762010	S15 GROUP FRONT SUBASSY, DIAM 46		
	⇌ 917762000	GROUP FRONT PANEL 20G diam 46		
-	917763010	S15 GROUP MOTOR		
	⇌ 917763000	GROUP MOTORS		
-	457401005F	CARTRIDGE RING		
-	917542022F	BOILER		
-	533903910F	DIVERTER SV		
-	532302300	T-SHAPED CONNECTOR		
-	532742200	DOUBLE CABLE TIE-RAPS		
-	938061010F	RUBBER HOLDER FOR QUICK COUPLING		
-	532179400	NYLON SPACER		
-	533906510F	3-WAY SOLENOID VALVE		
-	485350000F	PEEK STEAM BULB		
-	917773010	STEAM TUBE WITH BULB		
-	536247070	S15 - solenoid valve + panel		
	⇌ 536247050	S15 - solenoid valve + panel		
-	781729000	DEK PHOTOCCELL KIT		
-	917542032F	BOILER S 15		
-	484016002F	WATER DISPENSER CONNECTOR CW510L TEA B		

Pos	Part Number	Description	Validity	Notes
-	917159010	SUCTION BOX S15		
-	536247070	S15 - solenoid valve + panel		
	⇒ 536247060	S15 - solenoid valve+panel		
-	536248060	S15 - Sensors+Power+Motors		
-	535807010	POWER SUPPLY CABLE 200V FASTON+OCCH. PSE		
-	433146000	CLEANING ROD D.35		
-	917053010	CIBALI CLEANING CLOTH		
-	536247070	S15 - solenoid valve + panel		
-	917482000F	COFFEE GROUP CHUTE		
-	917967010	PFA TUBE KIT 40mm NSF		
-	717774010	"E" KIT PPM S15 USA		
	⇒ 717774000	KIT "E" PPM S15 USA		
-	966203020	CIBALI LOGO ON BASIN		
-	917176010	CIBALI LOGO ON BASIN		
-	916441000	SPRING		
-	531198010F	CONDUCTIVITY METER ROMER		
-	981194000F	SPACER 4mm		
-	402223010	GASKET, OR 7.65X1.78 TS PROBE		
-	917765020	COMPLETE COFFEE GROUP 20G D46		
-	946410010	SCATOLA CPU PLASTICA		
-	917949010	KIT B PPM S15		
-	532667600	SOLENOID VALVE BODY		
-	402215010	GUARNIZIONE OR 17.86 x 2.62 NSF		
-	917949000	KIT "B" PPM S15		

Pos	Part Number	Description	Validity	Notes
-	401183010	GASKET 22X17X1,5 INLET VALVE		
-	402223010	GASKET, OR 7.65X1.78 TS PROBE		
-	530892500	GEARMOTOR 80rpm		
-	530991600	MEANWELL POWER SUPPLY UNIT		
-	531193100	SAFETY THERMOSTAT		
-	531197700	PRESSURE SENS. 2 BAR		
-	534393700	VOL. METER 1/8G PLASTIC		
-	917551000	CHAMBER PISTON SENSOR		
-	917764010	COMPLETE COFFEE GROUP 14G D38		
-	917765020	COMPLETE COFFEE GROUP 20G D46		
-	917846000	SPOUT GEARS		
-	917848000	LH GRINDER		
-	917849000	RH GRINDER		
-	917853000	RH CHUTE		
-	917854000	LH CHUTE		
-	917855000	PFA pipe 6x4x110mm		
-	917856000	PFA pipe 6x4x40mm		
-	917857000	PFA pipe 6x4x180mm		
-	917858000	PFA pipe 6x4x140mm		
-	917867000	FRONT PANEL		
-	940088000	GRINDING ADJUSTMENT SCREW SHAFT		
-	946243000	INT. BASE GASKET, Diam. 4		
-	966402010	MIXER ROTOR		
-	966419000	RED OR		
-	781729000	DEK PHOTOCELL KIT		
	⇒ 431936010	PHOTOELECTRIC CELL WITH WIRING		
-	532393700F	PRESSURE REDUCER		
-	532664200F	NON-RETURN VALVE diam 6		
-	533181200F	VIBR. PUMP 230V 50Hz NSF		
-	533906510F	3-WAY SOLENOID VALVE		
-	533903910F	DIVERTER SV		
-	533905710F	WATER INLET VALVE		
-	533905800F	BYPASS VALVE 7bar RPE		
-	533905900F	SEPARATOR VALVE RPE		
-	533906000F	2-WAY VALVE RPE		
-	533906100F	3-WAY VALVE RPE diam 2.7mm -3°1.5mm		
-	533906300F	EXPANSION VALVE 12bar RPE		
-	533906400F	3-WAY VALVE RPE diam 1.5		
-	533906600F	3-WAY VALVE RPE diam 2.7mm -3°2mm		
-	533906700F	2-WAY VALVE RPE 2mm		
-	485350000F	PEEK STEAM BULB		
-	917161000F	QUICK FIT ADAPTER 3mm		
-	917164000F	RESISTOR 230V 2600W		
-	917226000F	PISTON SPRAYHEAD diam 38		
-	917227000F	PISTON FILTER diam 38		

Pos	Part Number	Description	Validity	Notes
-	917228000F	PISTON SPRAYHEAD diam 46		
-	917229000F	PISTON FILTER diam 46		
-	917230000F	OR 30x3.5		
-	917231000F	OR 45x3.5		
-	917750000F	BASE+MIXER MOTOR+CONNECTOR		
-	917351000F	OR 30 x 3.5 FLUOROPRENE XP41 75 SH		
-	917352010F	OR 37.69 x 3.53 FLUOROPRENE XP41 75 SH		

KIT "B" PPM S15

KIT "C" PPM S15

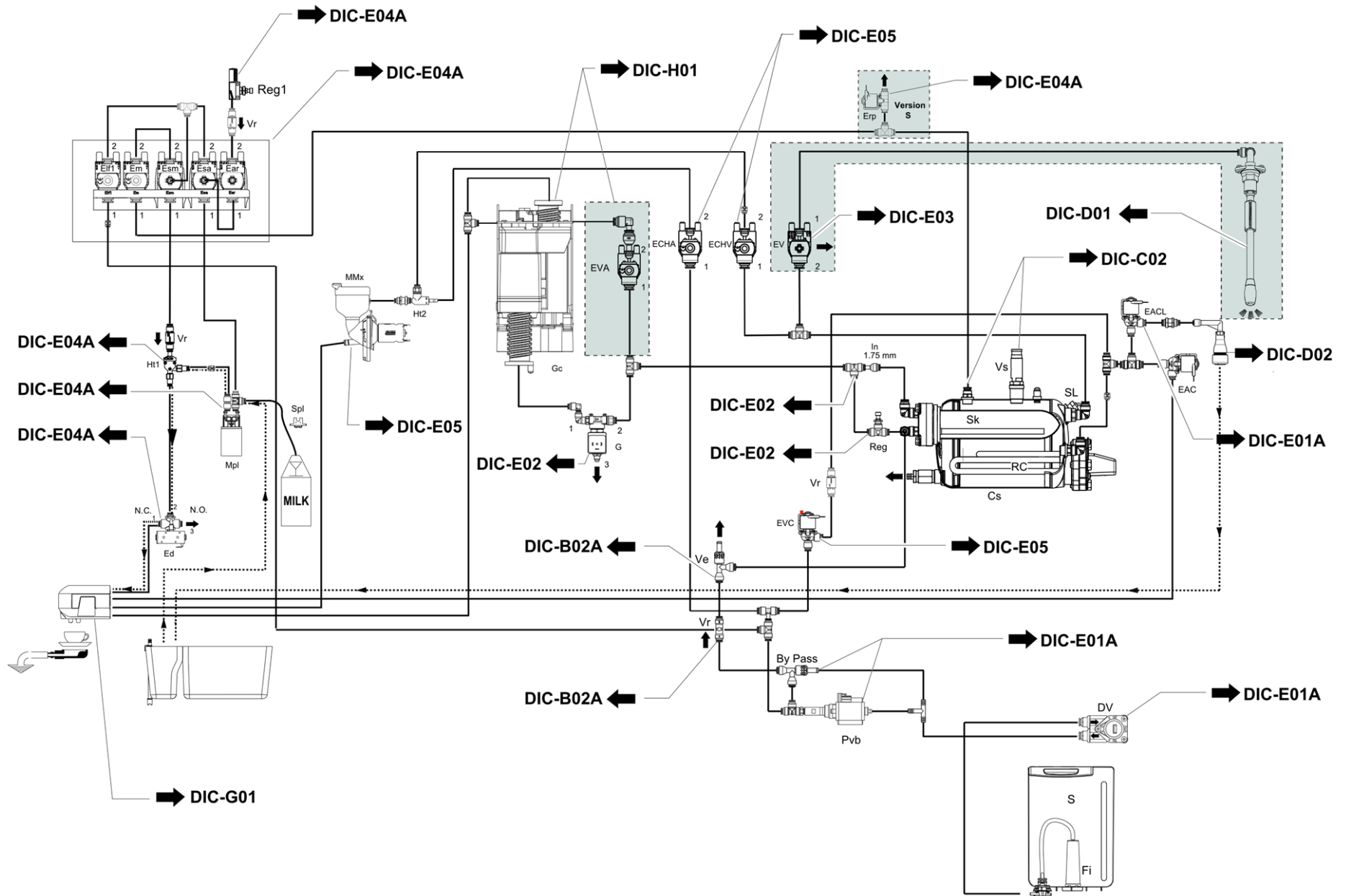
KIT "E" PPM S15

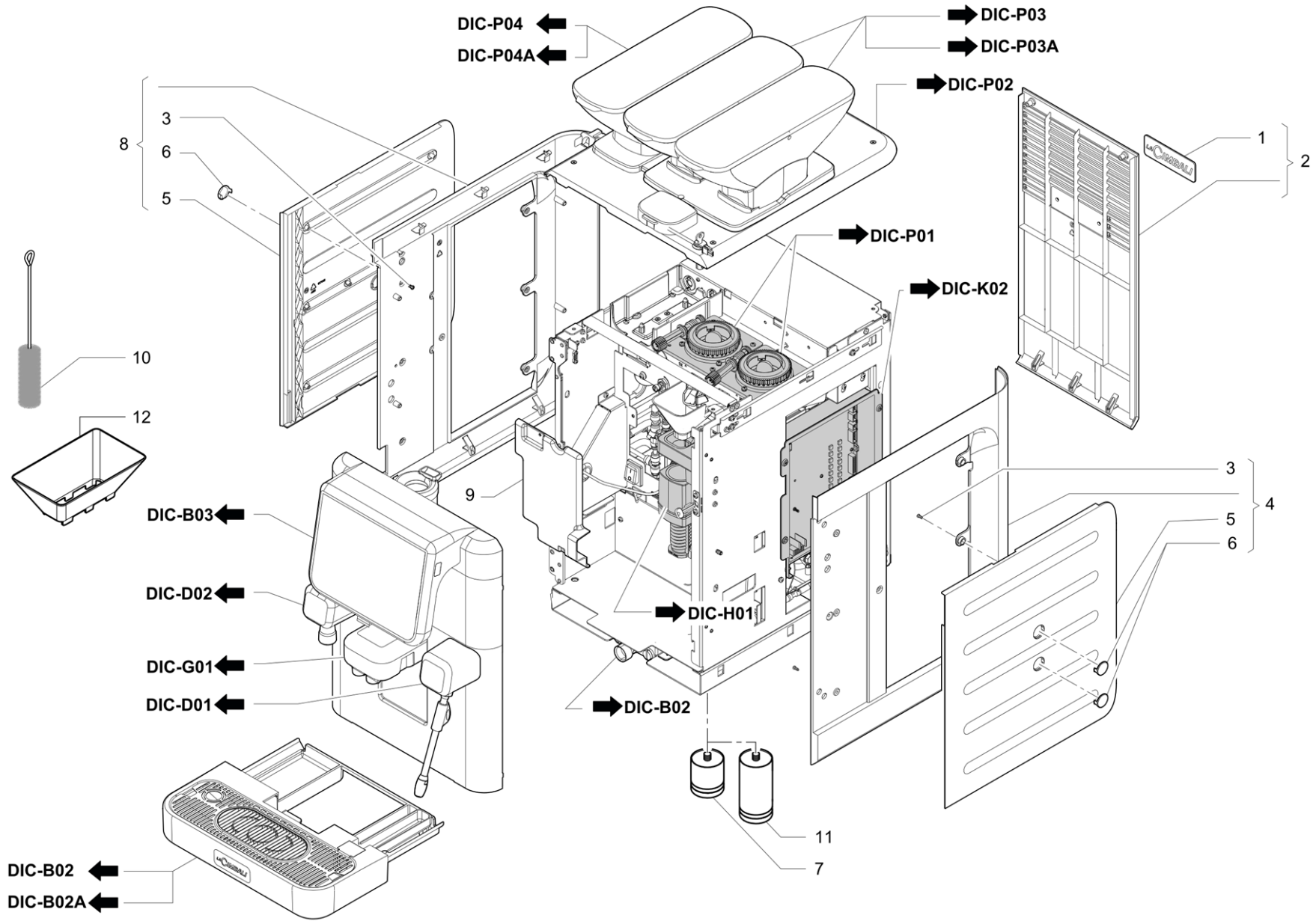
KIT "M" PPM S15

Pos	Part Number	Description	Validity	Notes
1	917949010	KIT B PPM S15		
2	917950000	KIT "C" PPM S15		
3	917951000	KIT "E" PPM S15		
3	717774010	"E" KIT PPM S15 USA	M:US	
4	917952000	KIT "M" PPM S15		
4	717773000	M KIT PPM S15 USA	M:US	

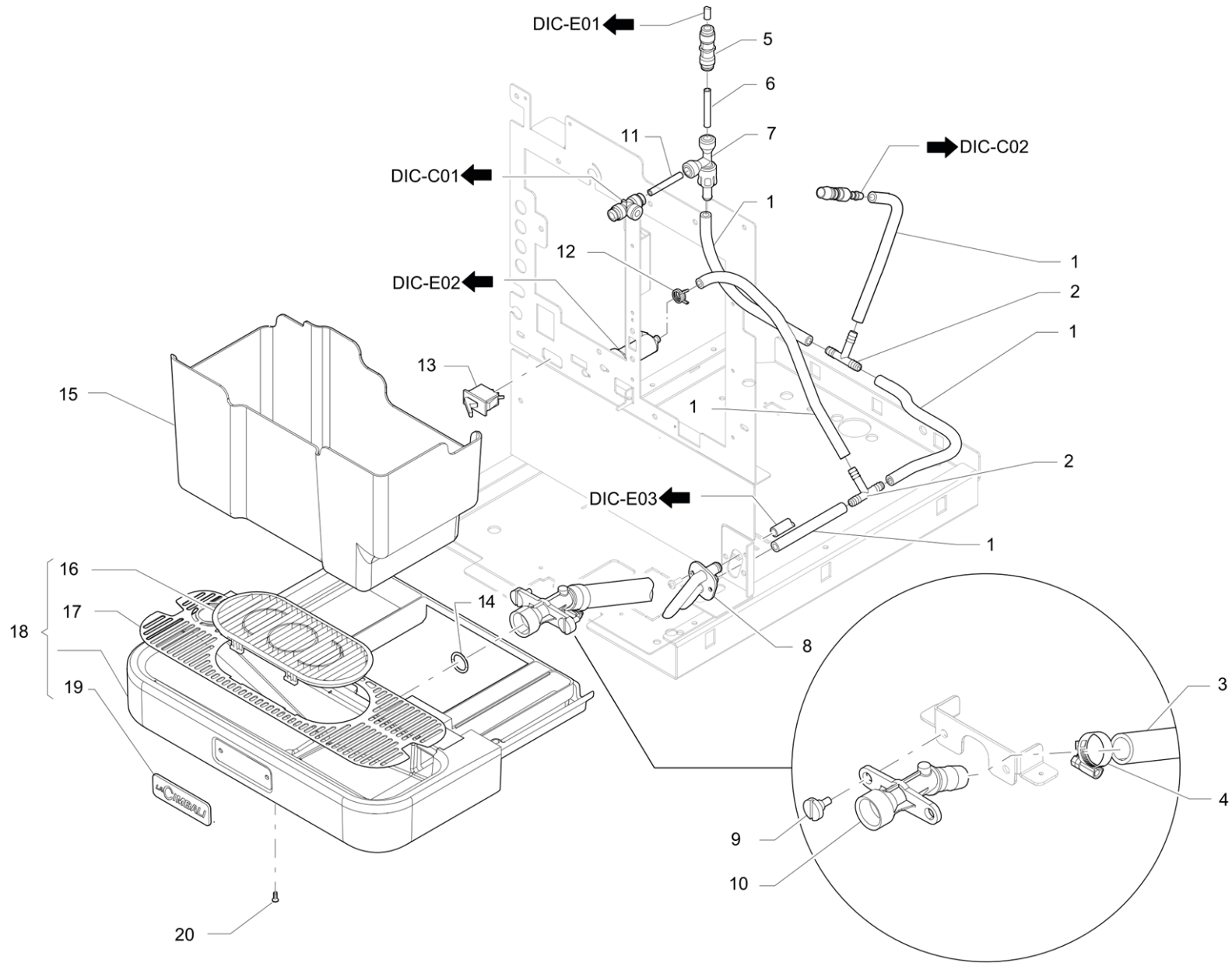




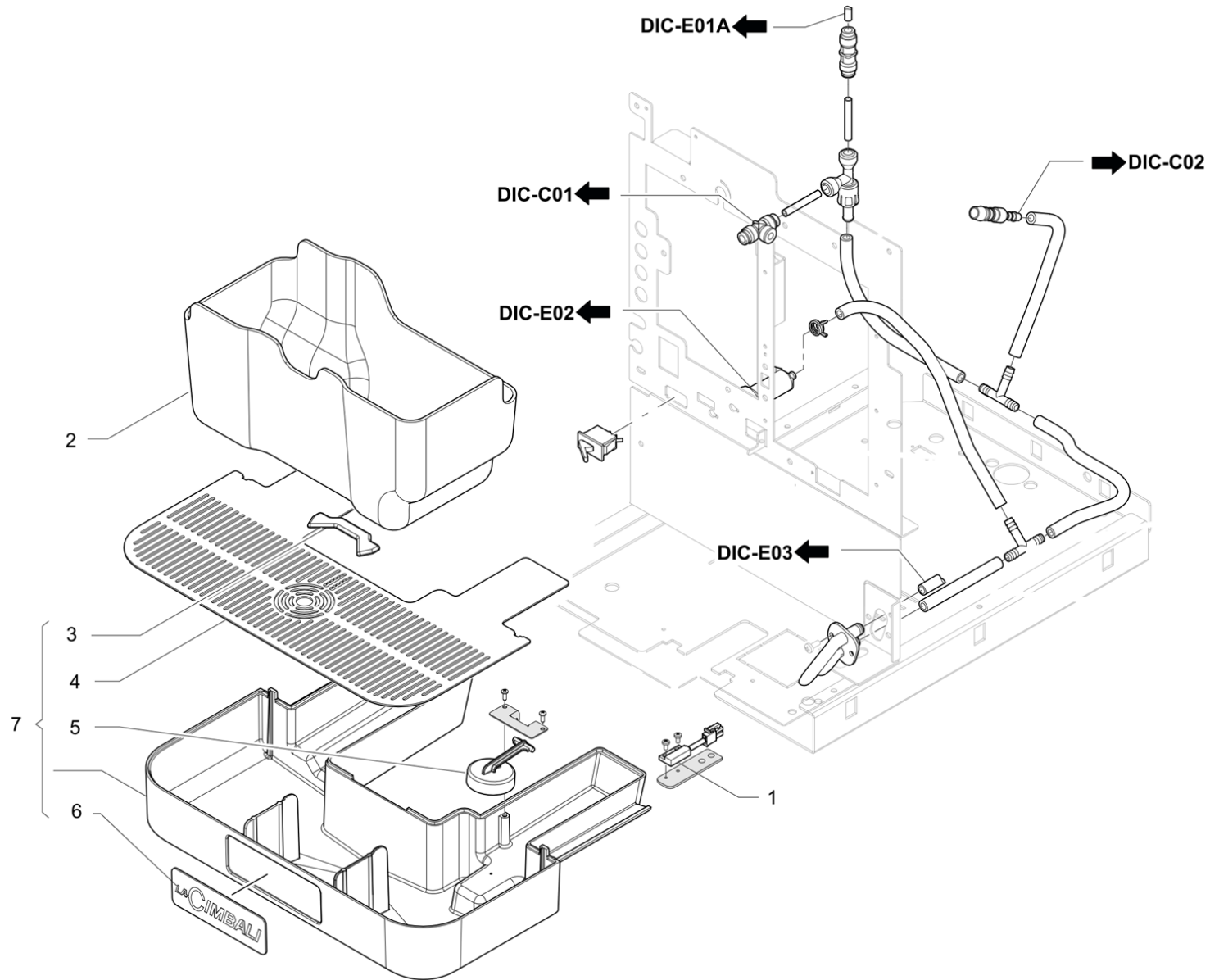




Pos	Part Number	Description	Validity	Notes
1	966203020	CIBALI LOGO ON BASIN		
	⇌ 966203010	CIBALI LOGO ON BASIN		
2	917862000	REAR PANEL S15		
3	523135080	SCREW		
4	917859000	RH SIDE PANEL BLACK		
5	917541010	LH/RH SIDE COVER		
6	917288000	MILK PLUG		
7	532805000	ADJUSTABLE FOOT		
8	917860000	LH SIDE PANEL BLACK		
9	917318000	COVER UPPER FRONTAL PLATE		
10	433146000	CLEANING ROD D.35		
	⇌ 433145000	PIPE BRUSH D.35		
11	532805500	NYLON/STAINLESS STEEL ADJ. FOOT H105/137	N:NSF	
12	917478000F	FUNNEL FOR SOLUBLES		



Pos	Part Number	Description	Validity	Notes
1	220000016	SILICONE PIPE D 6X10		
2	532302100	T - FITTING		
3	532302500	DRAIN PIPE		
4	613500396	CLIP 14-24		
5	532664200F	NON-RETURN VALVE diam 6		
6	220000022	RISLAN PIPE 4X6		
7	533906300F	EXPANSION VALVE 12bar RPE		
8	917174010	DRAIN PIPE		
9	916256000	SCREW M5		
10	916252000	SERIE1 DRAIN UNION		
11	917856000	PFA pipe 6x4x40mm		
11	917967010	PFA TUBE KIT 40mm NSF		N:NSF
	⇌ 917967000	PFA TUBE KIT 40mm NSF		N:NSF
12	532704200	DOUBLE CABLE TIE-RAPS		
13	532022708	MICROSWITCH		
14	401347000	O-RING VITON 15,54X2,62		
15	917171010	RUBBISH DRAWER		
16	940270000	SUPPORT CUPS GRATE		
17	917060010	DIP TRAY GRILL		
18	917865000	FRONT drip tray S15		
19	917176000	CIBALI LOGO		
20	523135080	SCREW		

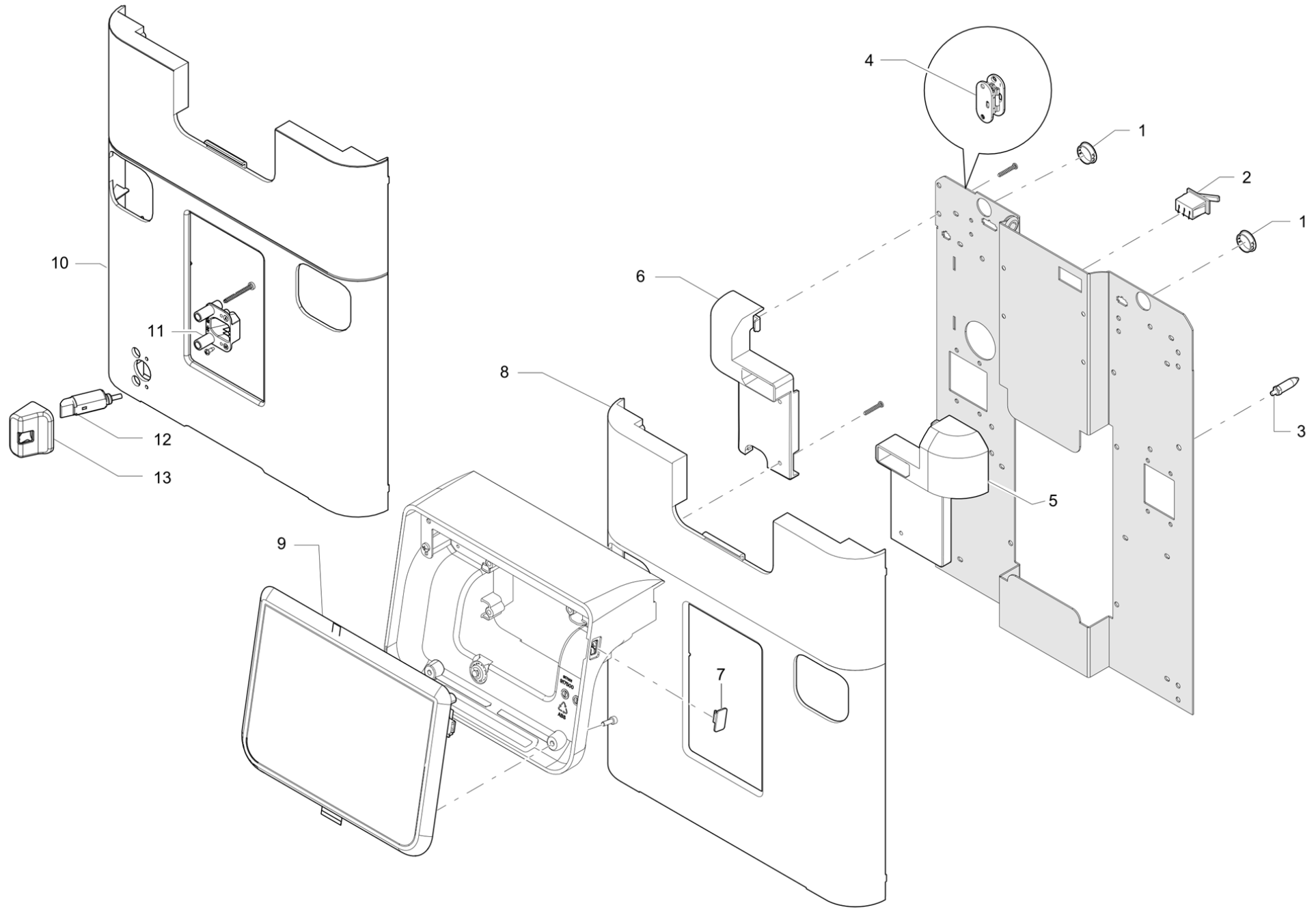


Per i particolari non codificati vedere la tabella  
 Pour les pièces détachées pas codifiées se référer aux vues éclatées  
 For the parts not listed, please refer to the table  
 Bezüglich der nicht kodifizierten Ersatzteile bitte die Tabelle verwenden  
 Por los repuestos no codificados rogamos de utilizar la tabula  
 Pelos particulares no codificados outar as tabela

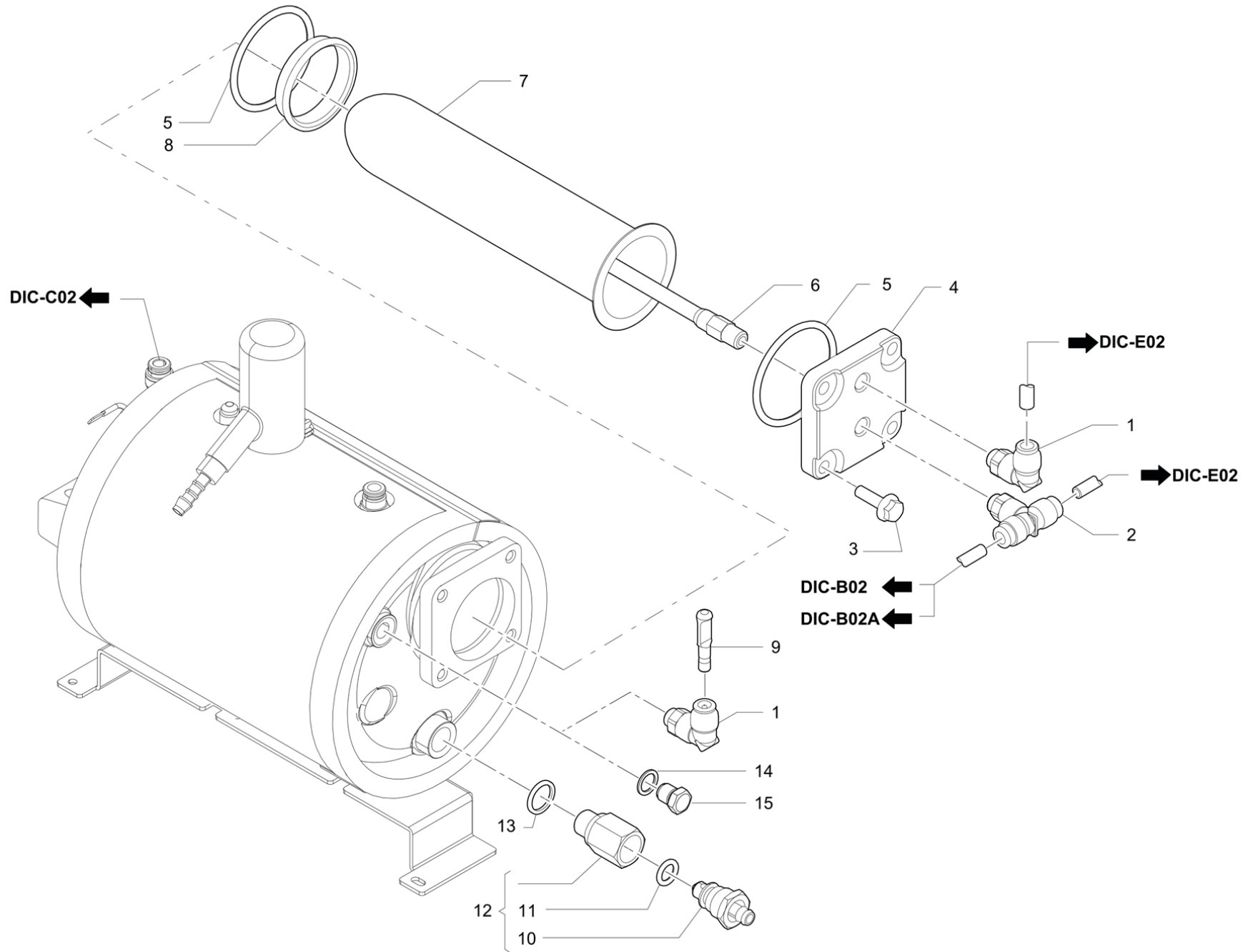
➔ DIC-B02

Pos	Part Number	Description	Validity	Notes
1	917664010	COMPLETE LEVEL SENSOR		
2	917457010	SELF KNOCK BOX		
3	917448000	CUP POSITION INDICATOR		
4	917449000	CUP HOLDER GRILLE		
5	713521000	FLOAT		
6	917469000	CIMBALI LOGO ON TRAY		

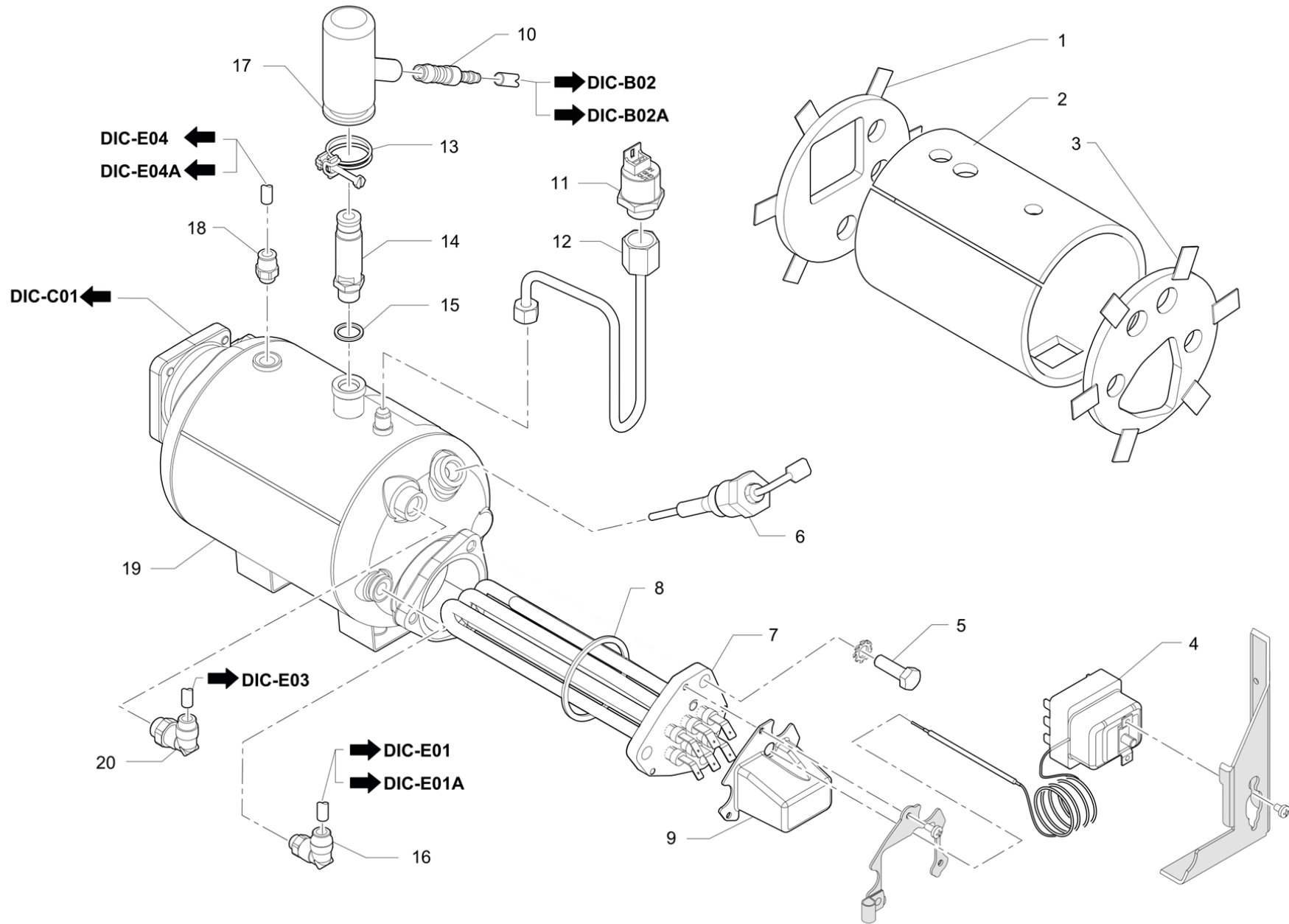




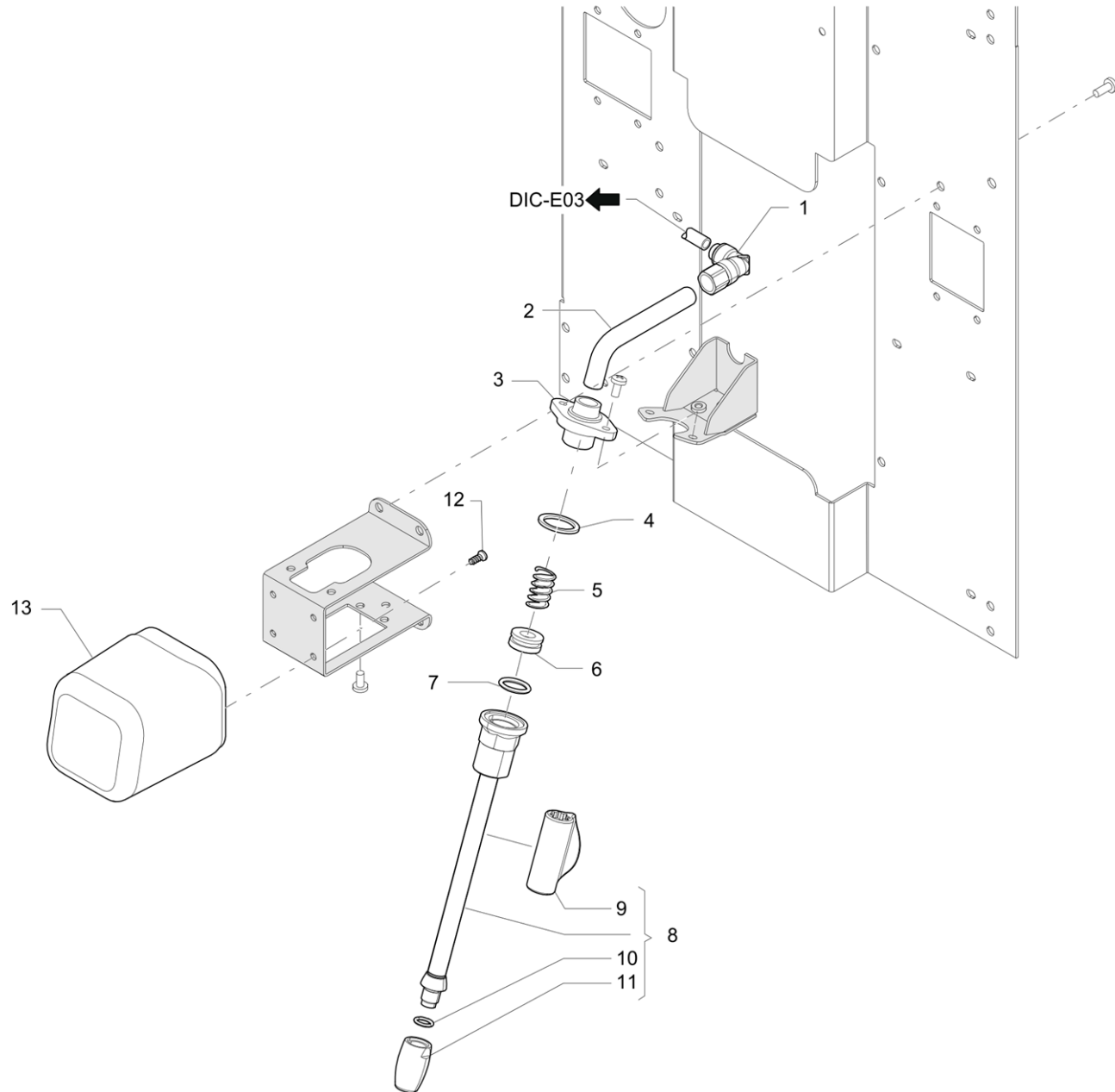
Pos	Part Number	Description	Validity	Notes
1	532727800	LOW CAP		
2	532022708	MICROSWITCH		
3	917127000	CENTERING PIN		
4	966301000	HINGE		
5	917004000	LH FRAME		
6	917009000	RH FRAME		
7	966106000	USB RUBBER CLOSURE WASHER		
8	917003010	LOWER PANEL LOCK		
9	917867000	FRONT PANEL		
10	917010000	LOWER COMMAND PANEL CLOSURE BLACK		
11	917444010	INTERNAL COVER CUP SENSOR		
12	536316000	CUP PRESENCE SENSOR		
13	917443010	EXTERNAL COVER CUP SENSOR		



Pos	Part Number	Description	Validity	Notes
1	532656000	G1/8 M RUBB.CONN.		
2	532658000	T-SHAPED CONNECTOR		
3	593783000	HEX HEAD SCREW M6X20 WITH TOOTHED EDGE S		
4	981013002F	CARTRIDGE COVER		
	⇒ 981013008F	RUVECO CARTRIDGE COVER		
5	402317020F	OR 50.39X3.53 EPDM 70 NSF		
6	916543020F	NSF CARTRIDGE SUPPLY TUBE ASSY		
7	917191002	HEAT EXCHANGER		
7	917191005	BOILER CARTRIDGE	N:NSF	
8	457401005F	CARTRIDGE RING		
	⇒ 457165028	HEAT EXCHANGER RING		
9	532658400	CLOSING DIAM.6		
10	419077010	DRAIN TAP DISC		
11	402220000	O-RING 9,13X2,62		
12	419947000	BOILER DRAIN ASS. - STRAIGHT 1/8		
13	401214000	GASKET		
14	401234000	GASKET COPPER		
15	940077000	SCREW -1/8		

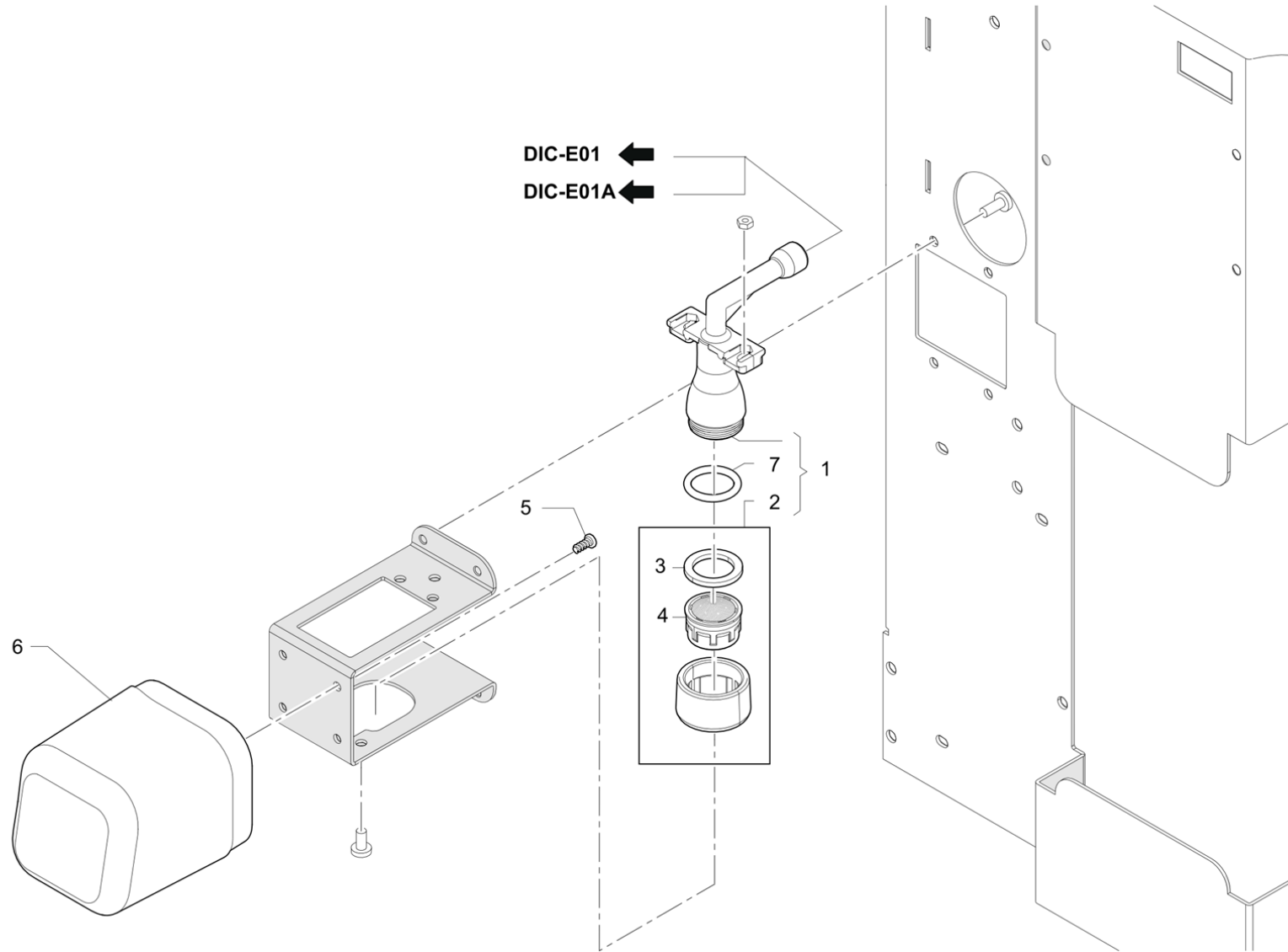


Pos	Part Number	Description	Validity	Notes
1	981031000	CARTRIDGE SIDE BOILER PROTECTION S10		
2	917194000	BOILER DEADENER		
3	981030000	RESISTOR SIDE BOILER PROTECTION S10		
4	531193100	SAFETY THERMOSTAT		
4	531192000	RESETTABLE SAFETY THERMOSTAT UL	N:UL	
5	503908250	SCREW		
6	537053000	PROBE LEVEL L=69MM ASS.		
7	917164000F	RESISTOR 230V 2600W		
7	490513002F	RESISTANCE V110 W1200	M:JP	
7	917164002F	RESISTOR ASSEMBLY 220V 2600W	N:NSF	
8	401194010	GASKET BOILER FLANGE		
8	402328000F	RESISTOR FLANGE GASKET	M:JP	
9	910445000	COVER FOR RESISTOR		
10	532600700	HOSE ADAPTOR		
11	531197700	PRESSURE SENS. 2 BAR		
12	981011000F	PRESSURE SENSOR TUBE ASSEMBLY		
12	981011005F	PRESSURE SENSOR TUBE	N:NSF	
13	532746200	CABLE TIE-RAPS WITH SCREW		
14	532392500	SAFETY VALVE 1,9 1/4G		
15	401250010	GASKET § 17,9X14,2X1,5		
16	532656000	G1/8 M RUBB.CONN.		
17	966492000	SAFETY VALVE PROTECTION		
18	532659900F	STRAIGHT CONN. 1/8 M D.6 F		
19	917542022F	BOILER		
	⇌ 917542010F	BOILER		
20	532656100	G1/4 M RUBB.CONN.		

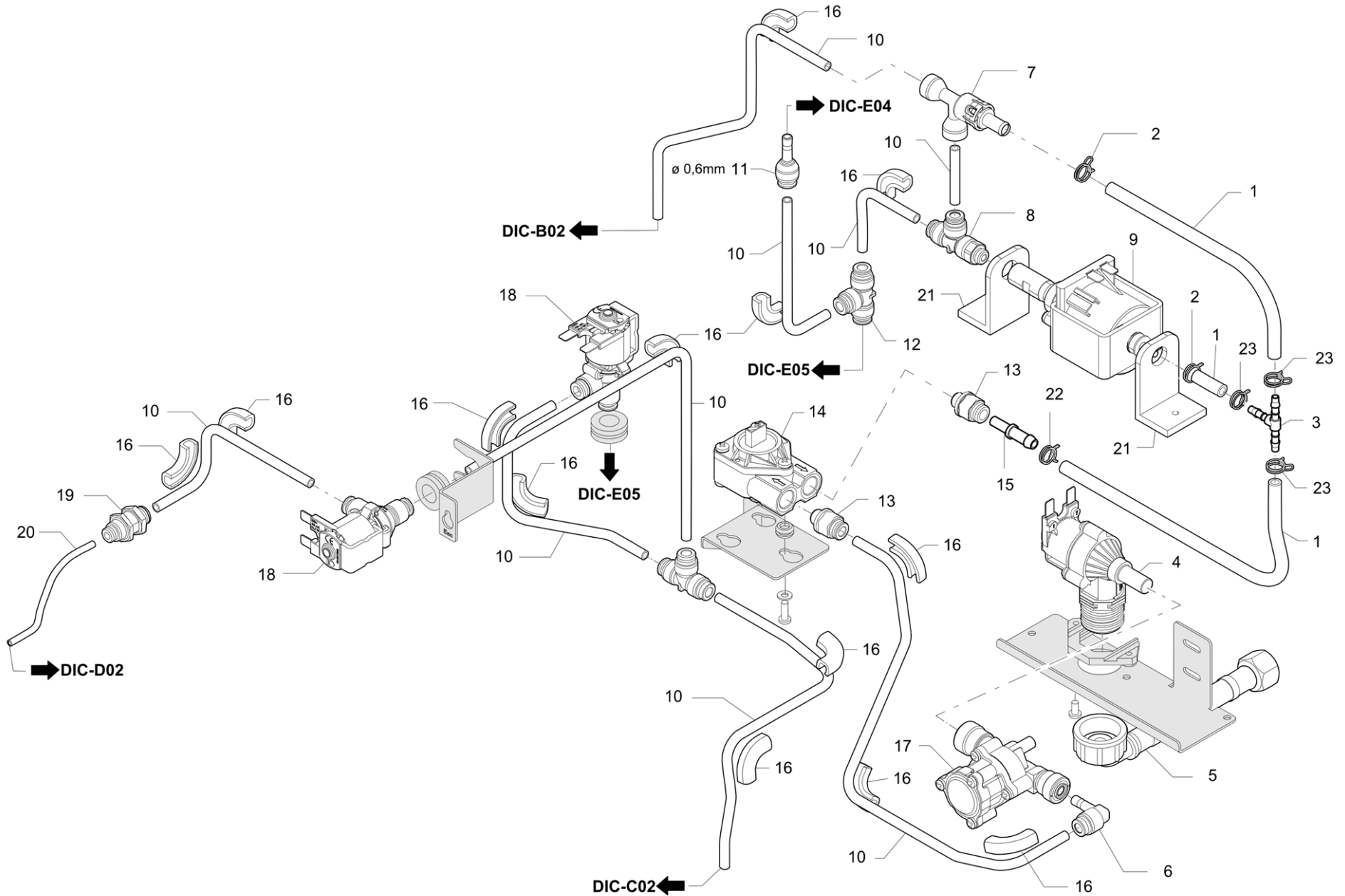


Pos	Part Number	Description	Validity	Notes
1	532661600	QUICK COUPLING 90 1/8"		
2	917287000	PRE-STEAM WAND		
3	484016002F	WATER DISPENSER CONNECTOR CW510L TEA B		
	⇒ 484016048	CONNECTOR FOR DISPENSER		
4	401183010	GASKET 22X17X1,5 INLET VALVE		
5	485061010	STAIN LESS STEEL SPRING		
6	485078010	GASKET		
7	401204000	GASKET		
8	917773000	STEAM pipe WITH BULB		
9	927132010	MANIFOLD		
10	402223010	GASKET, OR 7.65X1.78 TS PROBE		
	⇒ 402223000	O-RING 7,65X1,78 TS PROBE		
11	485350000F	PEEK STEAM BULB		
	⇒ 917051000F	STEAM BULB		
12	523135080	SCREW		
13	917021000	RH COVER		





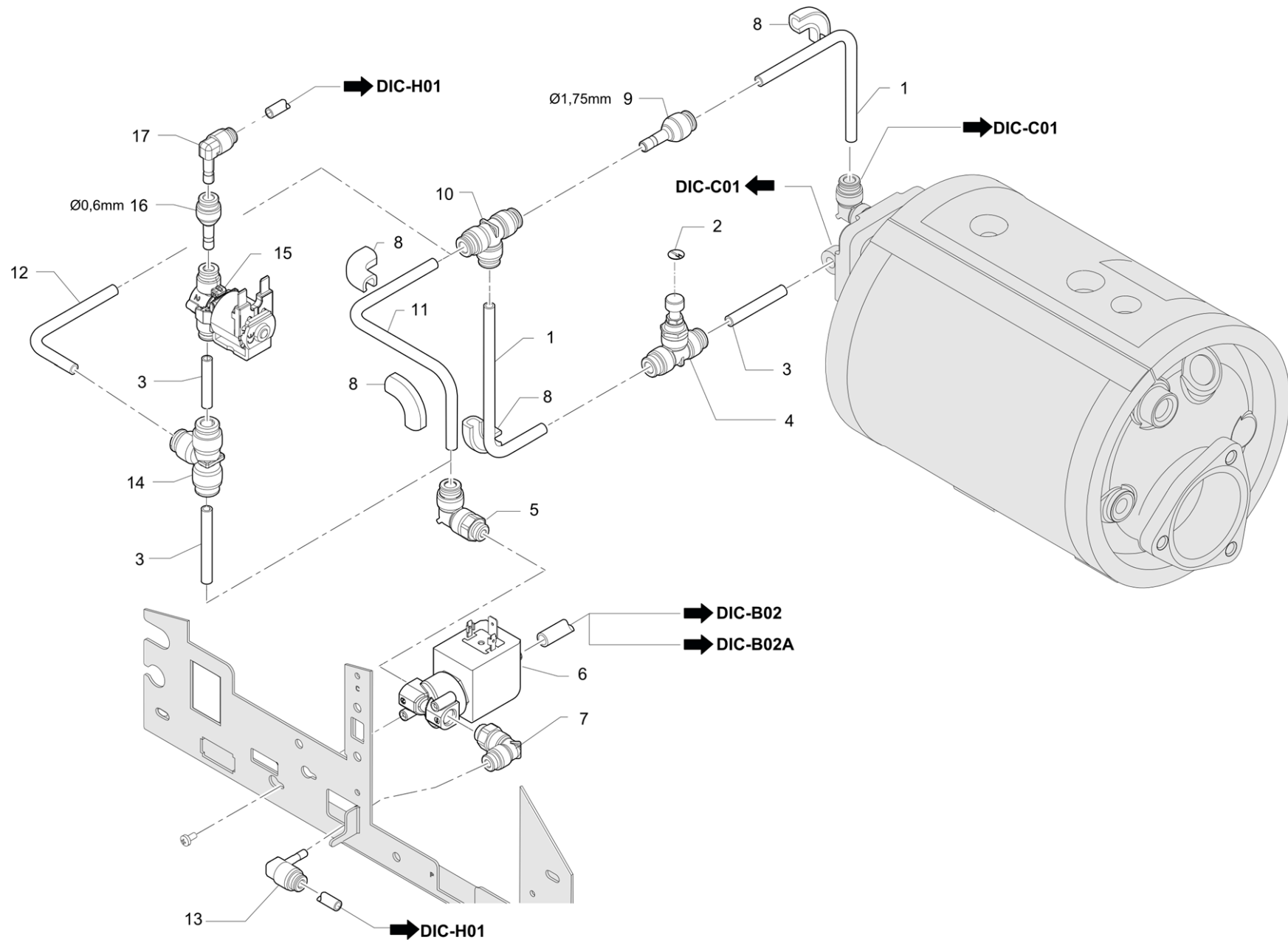
Pos	Part Number	Description	Validity	Notes
1	917847000	WATER DISPENSER BODY		
2	985716020F	M22X1 JET BREAKER		
3	402320000F	21X15X2 NSF SEAL		
4	532305000	FILTER		
5	523135080	SCREW		
6	917022000	LH COVER		
7	401347000	O-RING VITON 15,54X2,62		



Pos	Part Number	Description	Validity	Notes
1	220000034F	SILICON PIPE NSF 4X9		
2	441170001	CLIP		
3	532302300	T-SHAPED CONNECTOR		
4	533905710F	WATER INLET VALVE		
5	532306000F	WIRED TUBE 3/8-3/4GAS at 90 DEGREES		
5	532306100F	WIRED TUBE ASSEMBLY 3/8-3/4GAS at 90#	N:NSF	
6	532657100	ELBOW CONNECTOR WITH QUICK COUPLING		
7	533905800F	BYPASS VALVE 7bar RPE		
8	532656800	D.6-G1/8 M VERT. T.CONN.		
9	533181200F	VIBR. PUMP 230V 50Hz NSF		
9	533194820	VIBRATION PUMP 120/50-60	M:JP	
9	533199600	220V 50/60 HZ VIBRATING PUMP	N:UL	
10	220000022	RISLAN PIPE 4X6		
11	532664300F	NOZZLE diam 0,6		
12	532656700	T-SHAPED CONNECTOR		
13	532655700	STRAIGHT CONNECTOR G1/8 M		
14	534393700	VOL. METER 1/8G PLASTIC		
15	938061010F	RUBBER HOLDER FOR QUICK COUPLING		
16	966026000	TUBE BENDER		
17	532393700F	PRESSURE REDUCER		
18	533905900F	SEPARATOR VALVE RPE		
19	532663600F	JOINT		
20	220000021	TEFLON TUBE D 2,5X4		
21	532803900	VIBRATING PUMP SUPPORT		
22	532742200	DOUBLE CABLE TIE-RAPS		
23	998251010	CLAMP		

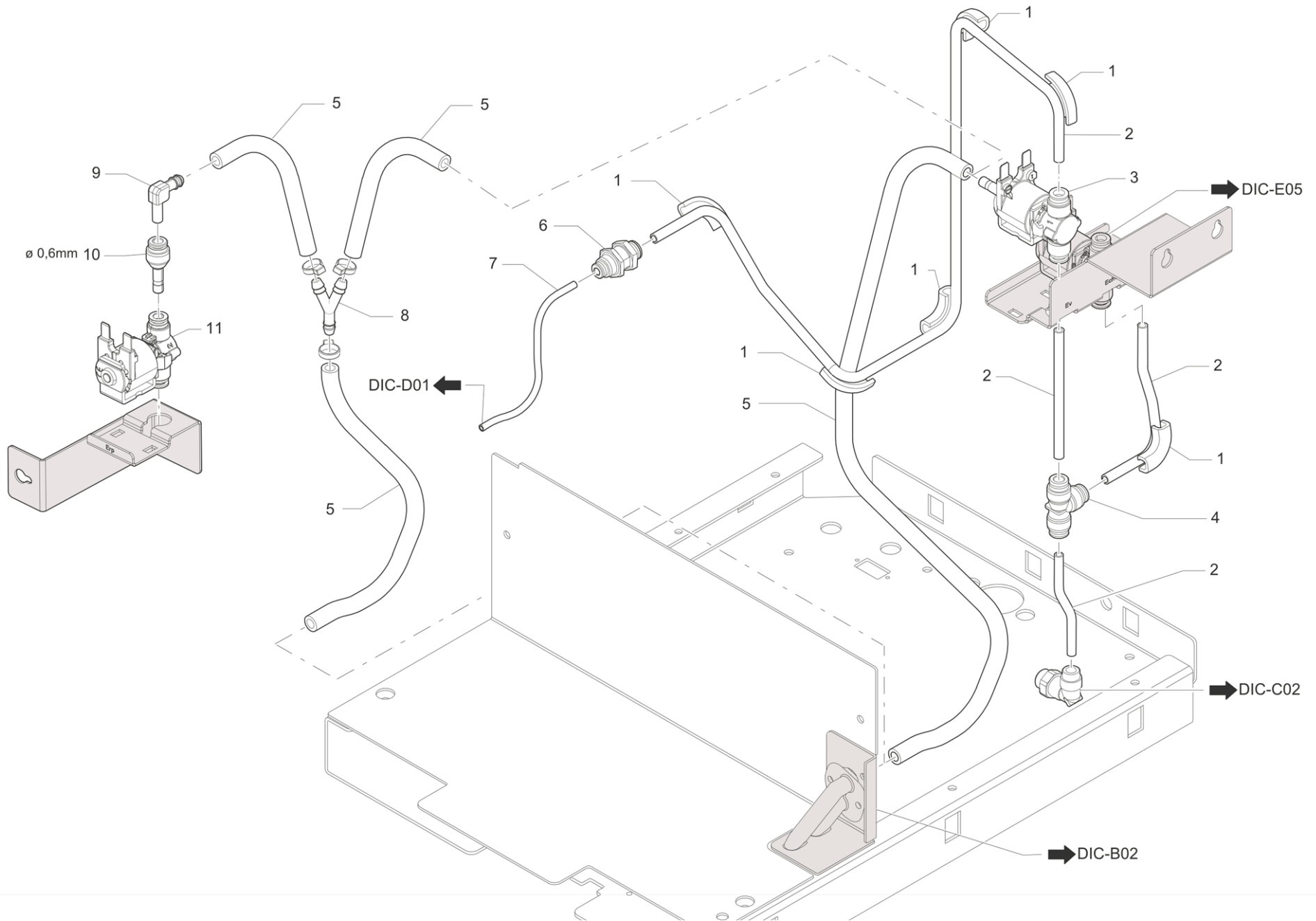


Pos	Part Number	Description	Validity	Notes
1	532742200	DOUBLE CABLE TIE-RAPS		
2	532302300	T-SHAPED CONNECTOR		
3	938061010F	RUBBER HOLDER FOR QUICK COUPLING		
4	532658800F	T COUPLING 921X4-6F-1/8		
5	934168010	HOSE ADAPTOR FOR QUICK CONNECTION		
6	441170001	CLIP		
7	220000016	SILICONE PIPE D 6X10		
8	484381000	UNION		
9	220000022	RISLAN PIPE 4X6		
10	532656700	T-SHAPED CONNECTOR		
11	532664500F	NOZZLE diam 1,75		
12	966026000	TUBE BENDER		
13	220000029	SILICONE PIPE D 7X11		
14	532664200F	NON-RETURN VALVE diam 6		
15	533905900F	SEPARATOR VALVE RPE		
16	532663600F	JOINT		
17	220000021	TEFLON TUBE D 2,5X4		
18	998251010	CLAMP		

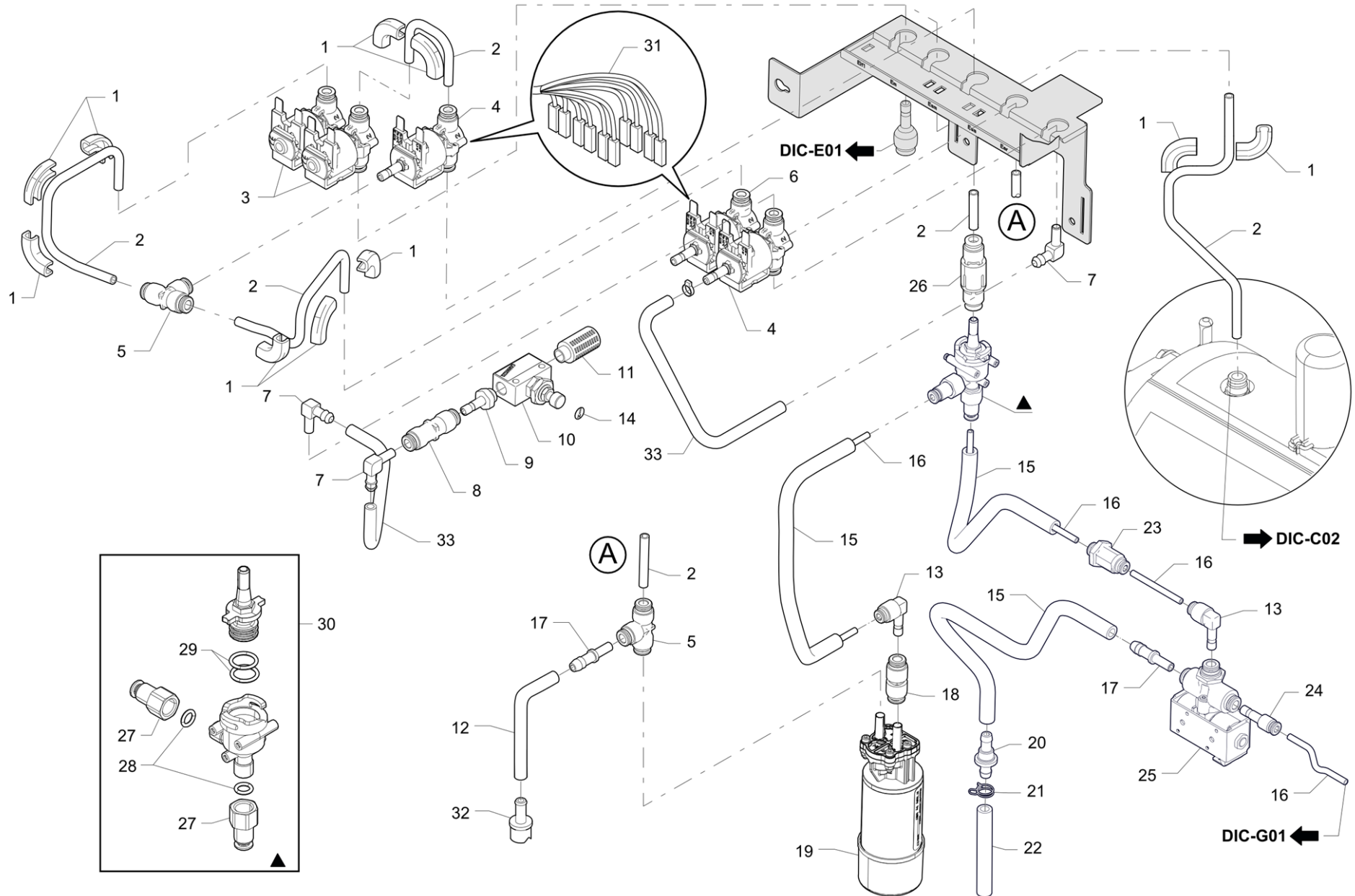


Pos	Part Number	Description	Validity	Notes
1	917855000	PFA pipe 6x4x110mm		
1	917969000	PFA TUBE KIT 110mm NSF	N:NSF	
2	947156000	HOT AIR LABEL		
3	917856000	PFA pipe 6x4x40mm		
3	917967010	PFA TUBE KIT 40mm NSF	N:NSF	
	⇒ 917967000	PFA TUBE KIT 40mm NSF	N:NSF	
4	532393500F	FLOW REGULATOR		
5	532656000	G1/8 M RUBB.CONN.		
6	533906510F	3-WAY SOLENOID VALVE		
	⇒ 533906500F	3-WAY SOLENOID VALVE 1,6mm 24V 1/8 GAS		
7	532655900	G1/8 M RUBB.CONN.		
8	966026000	TUBE BENDER		
9	532664500F	NOZZLE diam 1,75		
10	532656700	T-SHAPED CONNECTOR		
11	917857000	PFA pipe 6x4x180mm		
11	917975000	PFA TUBE KIT 180mm NSF	N:NSF	
12	917858000	PFA pipe 6x4x140mm		
12	917968000	PFA TUBE KIT 140mm NSF	N:NSF	
13	532658100	ELBOW CONNECTOR WITH QUICK COUPLING D4		
14	532656700	T-SHAPED CONNECTOR		
15	533906700F	2-WAY VALVE RPE 2mm		
16	532664300F	NOZZLE diam 0,6		
17	532567400	AD 4 D6 ELBOW JOINT		

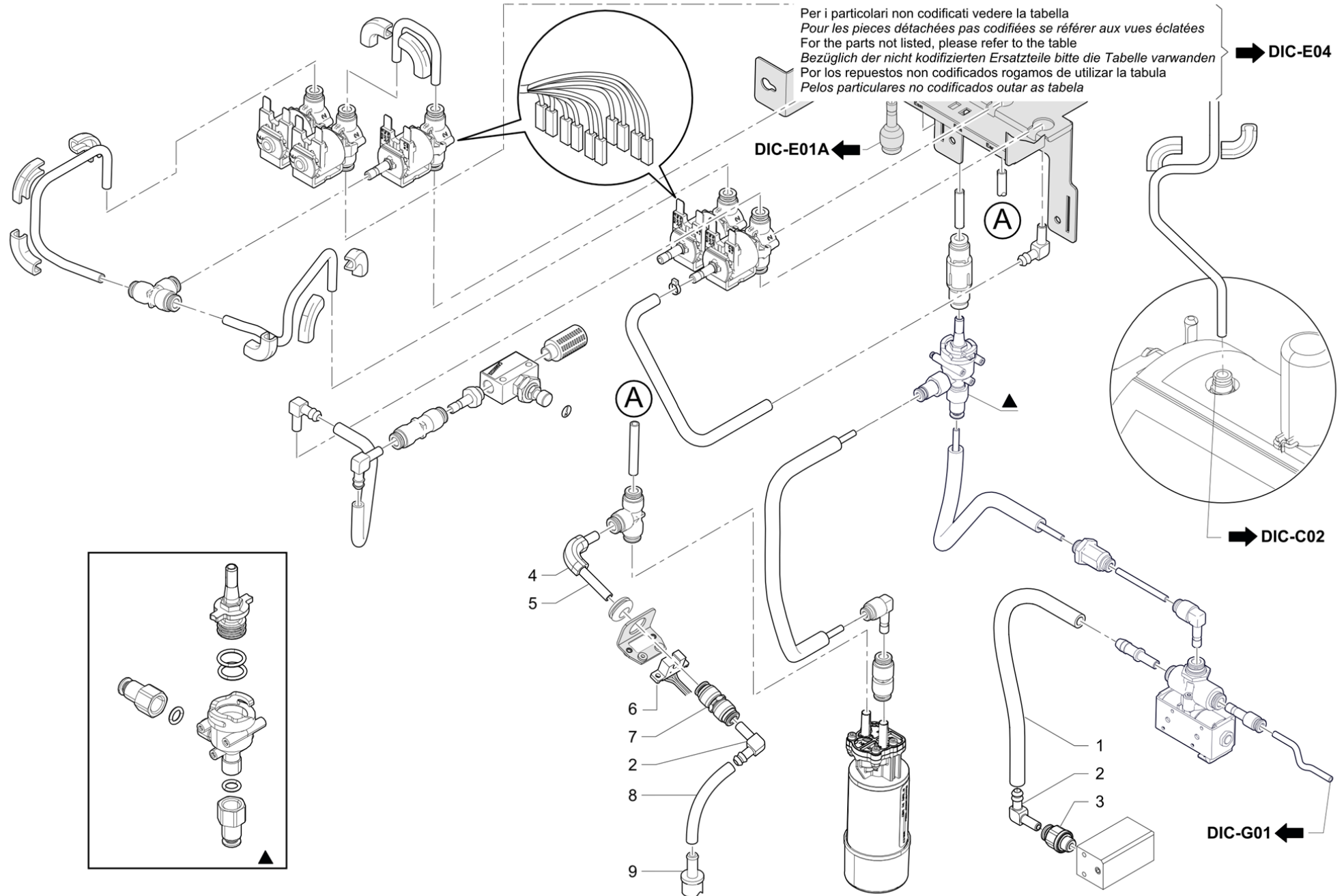




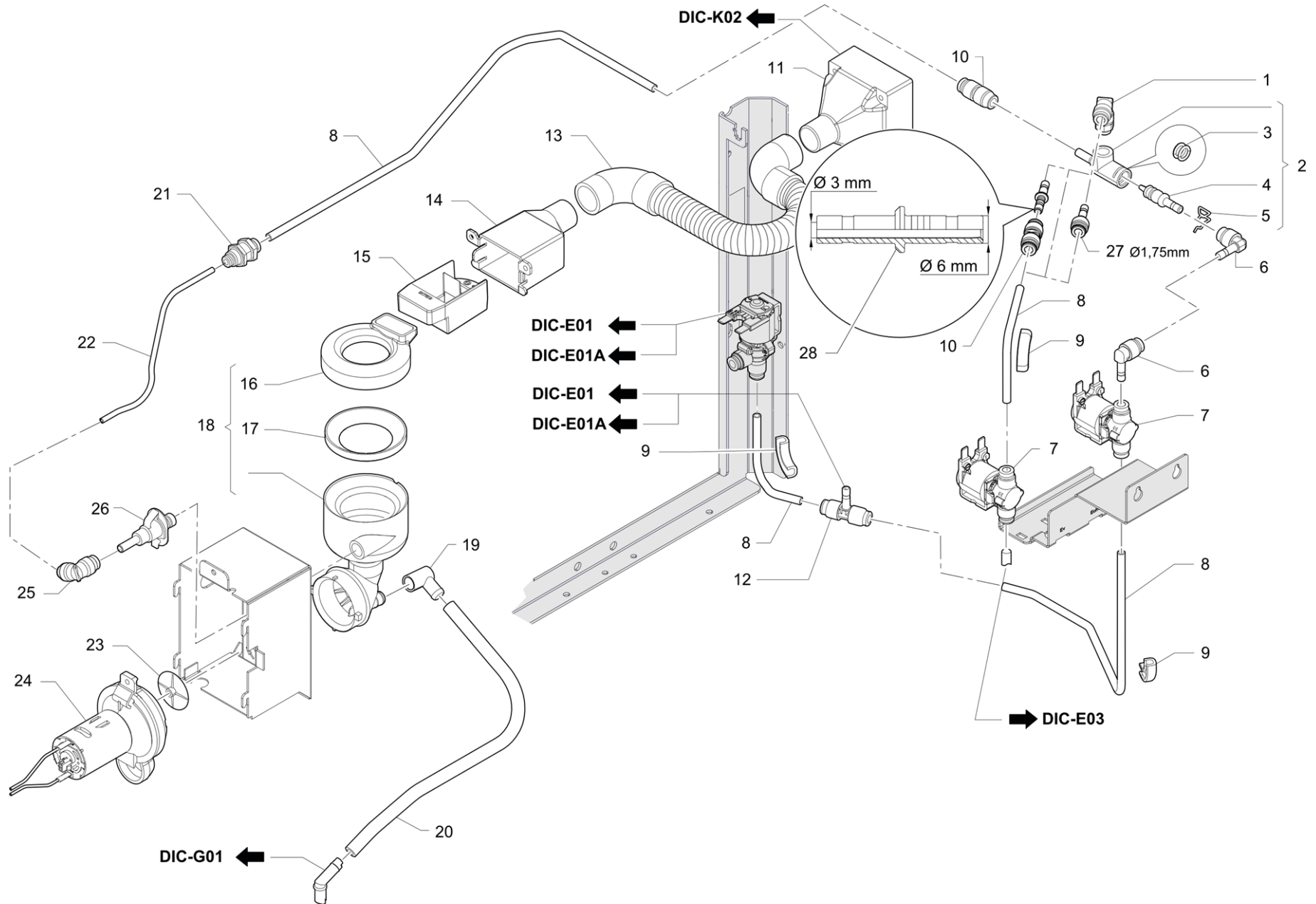
Pos	Part Number	Description	Validity	Notes
1	966026000	TUBE BENDER		
2	220000022	RISLAN PIPE 4X6		
3	533906600F	3-WAY VALVE RPE diam 2.7mm -3°2mm		
4	532656700	T-SHAPED CONNECTOR		
5	220000016	SILICONE PIPE D 6X10		
6	532663600F	JOINT		
7	220000021	TEFLON TUBE D 2,5X4		
8	532302720	Y-UNION		
9	966409000	TUBE-HOLDER CONNECTOR WITH QUICK COUPLIN		
10	532664300F	NOZZLE diam 0,6		
11	533906000F	2-WAY VALVE RPE		



Pos	Part Number	Description	Validity	Notes
1	966026000	TUBE BENDER		
2	220000022	RISLAN PIPE 4X6		
3	533906000F	2-WAY VALVE RPE		
4	533906100F	3-WAY VALVE RPE diam 2.7mm -3°1.5mm		
5	532656700	T-SHAPED CONNECTOR		
6	533906400F	3-WAY VALVE RPE diam 1.5		
7	966409000	TUBE-HOLDER CONNECTOR WITH QUICK COUPLIN		
8	532664200F	NON-RETURN VALVE diam 6		
9	532659600F	STRAIGHT CONN. 1/8 M		
10	533590700	AIR VALVE		
10	946372000	FLOW ADJUSTER 1/8 NICKEL FINISH	N:NSF	
11	534600100	FILTER AIR CAPP.		
12	484391000	4,8X7,9X1000 SILICON PIPE		
12	946371000	NSF SILICON TUBE 4.2X7.85X1000MM	N:NSF	
13	532567400	AD 4 D6 ELBOW JOINT		
14	947156000	HOT AIR LABEL		
15	220000016	SILICONE PIPE D 6X10		
16	220000021	TEFLON TUBE D 2,5X4		
17	934168010	HOSE ADAPTOR FOR QUICK CONNECTION		
18	532665300F	NOZZLE Diam. 0.8mm - QUICK COUPLING 6mm		
19	533181000F	GEAR PUMP		
20	484381000	UNION		
21	441170001	CLIP		
22	220000055	TUBE Diam. 6x10		
23	532657500	PARTITION CONNECTOR D4		
24	532657000	STRAIGHT QUICK COUPLING-6M-4F		
25	533903910F	DIVERTER SV		
	⇒ 533903900F	DIVERTER SV		
26	532407000F	VALVOLA NON RITORNO D6 FF EPDM		
27	532663000F	CONNECTOR		
28	530501200	OR 2025		
29	401360000	O-RING 11,11X1,78		
30	944794010	MILK WARMER ASSEMBLY		
31	536268000	S15 - Milk EV + pump motor/encoder cable		
32	966423000	MILK SUCTION FILTER		
33	220000014	SILICON TUBE		

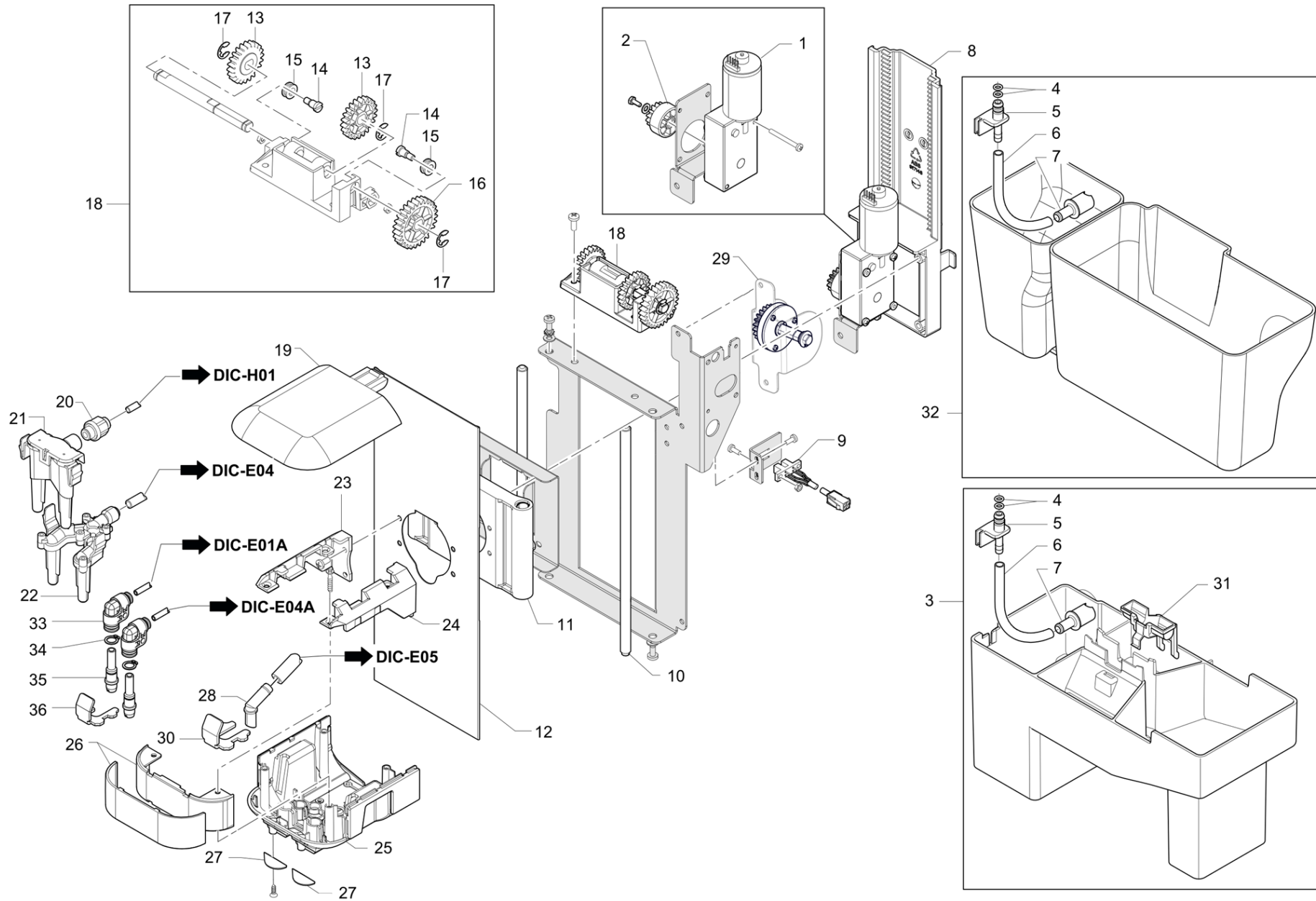


Pos	Part Number	Description	Validity	Notes
1	220000016	SILICONE PIPE D 6X10		
2	966409000	TUBE-HOLDER CONNECTOR WITH QUICK COUPLIN		
3	532655700	STRAIGHT CONNECTOR G1/8 M		
4	966026000	TUBE BENDER		
5	220000022	RISLAN PIPE 4X6		
6	536318000	LIQUID PRESENCE SENSOR		
7	532657700	STRAIGHT CONNECTOR D6		
8	484391000	4,8X7,9X1000 SILICON PIPE		
9	966423000	MILK SUCTION FILTER		

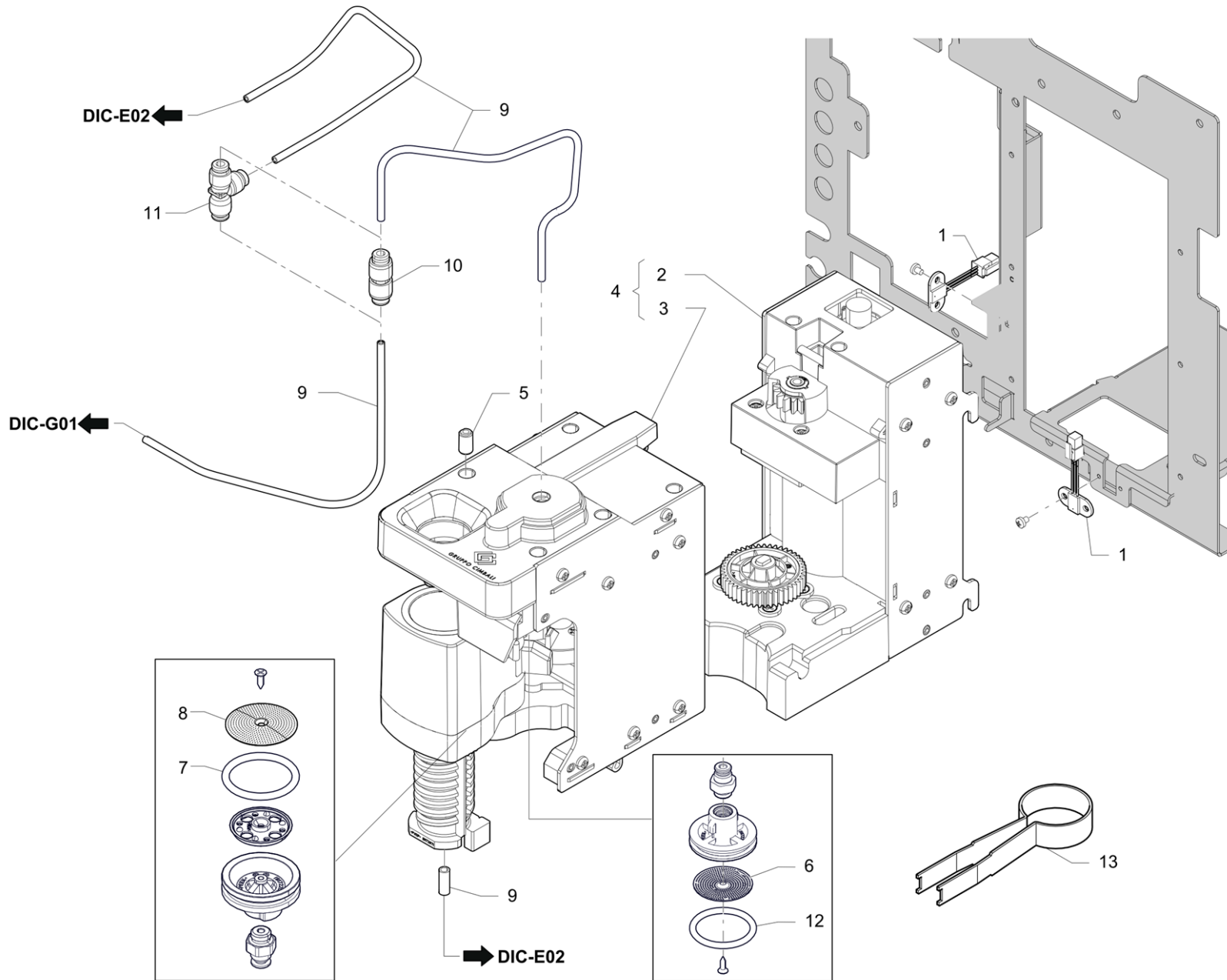


Pos	Part Number	Description	Validity	Notes
1	532656000	G1/8 M RUBB.CONN.		
2	917946000	S15 MIXER HEATER		
3	401371000	GASKET 6,75 X 1,78		
4	981145010	WARMER SUCTION INJECTOR		
5	485147000	SPRING		
6	532657100	ELBOW CONNECTOR WITH QUICK COUPLING		
7	533906000F	2-WAY VALVE RPE		
8	220000022	RISLAN PIPE 4X6		
9	966026000	TUBE BENDER		
10	532657700	STRAIGHT CONNECTOR D6		
11	934010010	AXIAL FAN SUPPORT 60mm		
12	532661800F	T JOINT		
13	917197000	CORRUGATED PIPE		
14	917189010	ASPIRATION DRAWER		
15	917159010	SUCTION BOX S15		
	⇌ 917159000	ASPIRATION DRAWER		
16	917158000F	MIXER COVER		
17	917284000F	MIXER FASTENING RING		
18	917947000	S15 MIXER BODY		
19	966405010	MIXER OUTLET CONNECTOR		
20	220000016	SILICONE PIPE D 6X10		
21	532663600F	JOINT		
22	220000021	TEFLON TUBE D 2,5X4		
23	966402010	MIXER ROTOR		
24	917750000F	BASE+MIXER MOTOR+CONNECTOR		
25	532662000F	ELBOW JOINT D.4 D.6		
26	917161000F	QUICK FIT ADAPTER 3mm		
27	532664500F	NOZZLE diam 1,75		
28	917480000F	Nozzle Diam/ 3mm		

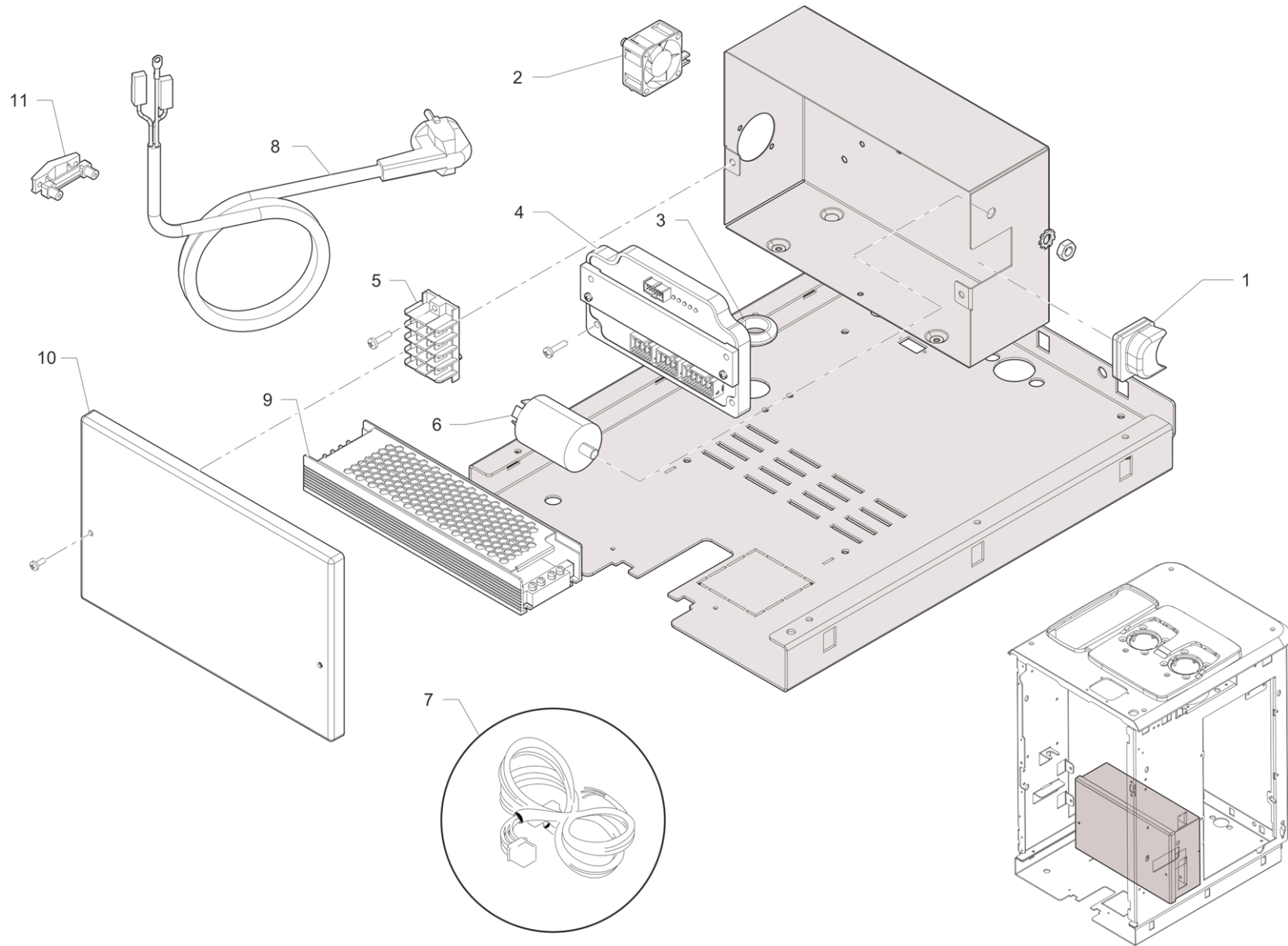




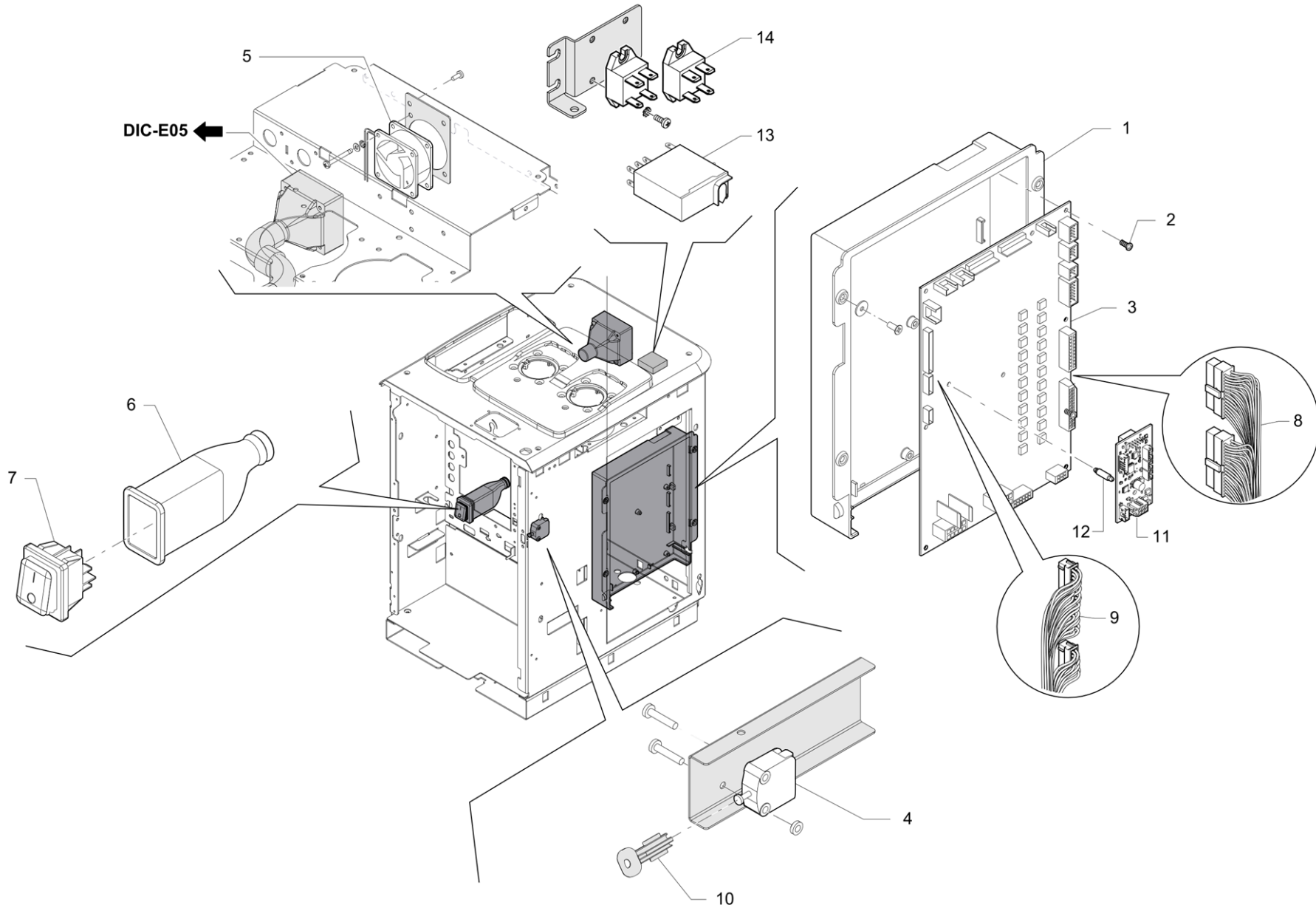
Pos	Part Number	Description	Validity	Notes
1	530892500	GEARMOTOR 80rpm		
2	917323000	Z14 GEAR		
3	917864000	WASHING drip tray		
4	401400000	NBR SILICON OR 5.28x1.78		
5	966303000	CONNECTOR FOR FLOAT		
6	220000014	SILICON TUBE		
7	966423000	MILK SUCTION FILTER		
8	917146010	SPOUT MOVEMENT RACK		
9	781729000	DEK PHOTOCELL KIT		
	⇒ 431936010	PHOTOELECTRIC CELL WITH WIRING		
10	917047000	DISPENSER GUIDE ROD		
11	966557000	DISPENSER SLIDE GAGE ASS. S30		
12	966266000	SPOUT SLUICE-VALVE		
13	917141010	GEAR Z22		
14	917145000	RACK ROLLER PIN		
15	917144000	RACK FASTENING ROLLER		
16	917140000	GEAR Z27		
17	568206070	RING		
18	917846000	SPOUT GEARS		
19	966254000	SPOUT COVER		
20	532655600	STRAIGHT CONNECTOR G1/8 M		
21	946813000	COFFEE SPOUT ASSEMBLY		
22	946740000	MILK SPOUT ASS. SP.PART		
23	966265000	LH SPOUT FRAME		
24	966264000	RH SPOUT FRAME		
25	966544000	LOWER SPOUT SHELL ASSEMBLY		
26	966545000	FRONT SPOUT SHELL ASSEMBLY		
27	966225007	SPOUT		
28	940168000	ONE WAY SPOUT		
29	917948000	S15 MAGNETIC SPOUT SYSTEM		
30	943456010	SPOUT DELIVERY TUBE RETAINER		
31	946389000	MILK AND CHOCOLATE TUBE DIVERTER		
33	532665400F	QUICK-COUPLING ELBOW CONNECTOR D6-4		
34	568208080	RING 8 UNI S.S.		
35	917426000F	WATER/MILK TERMINAL DUCT - SELF		
36	917427000	SPOUT DELIVERY TUBE CHECK VALVE		



Pos	Part Number	Description	Validity	Notes
1	917551000	CHAMBER PISTON SENSOR		
2	917763010	S15 GROUP MOTOR		
3	917761010	S15 GROUP FRONT SUBASSY, DIAM 38	G:D38	
3	917762010	S15 GROUP FRONT SUBASSY, DIAM 46	G:D46	
4	917764010	COMPLETE COFFEE GROUP 14G D38	G:D38	
4	917765010	COMPLETE COFFEE GROUP 20G D46	G:D46	
5	430061020	PIN		
6	917227000F	PISTON FILTER diam 38	G:D38	
6	917229000F	PISTON FILTER diam 46	G:D46	
7	917230000F	OR 30x3.5	G:D38	
7	917231000F	OR 45x3.5	G:D46	
8	917226000F	PISTON SPRAYHEAD diam 38	G:D38	
8	917228000F	PISTON SPRAYHEAD diam 46	G:D46	
9	220000021	TEFLON TUBE D 2,5X4		
10	532657800	STRAIGHT CONNECTOR D4		
11	532656600	T-SHAPED CONNECTOR		
12	917351000F	OR 30 x 3.5 FLUOROPRENE XP41 75 SH	G:D38	
12	917352010F	OR 37.69 x 3.53 FLUOROPRENE XP41 75 SH	G:D46	
13	629000500	TOOL FOR S15 GROUP Ø38 PISTON FILTERS	G:D38	
13	629000510	ATTREZZO PER FILTRI PISTONE Ø46 S15	G:D46	

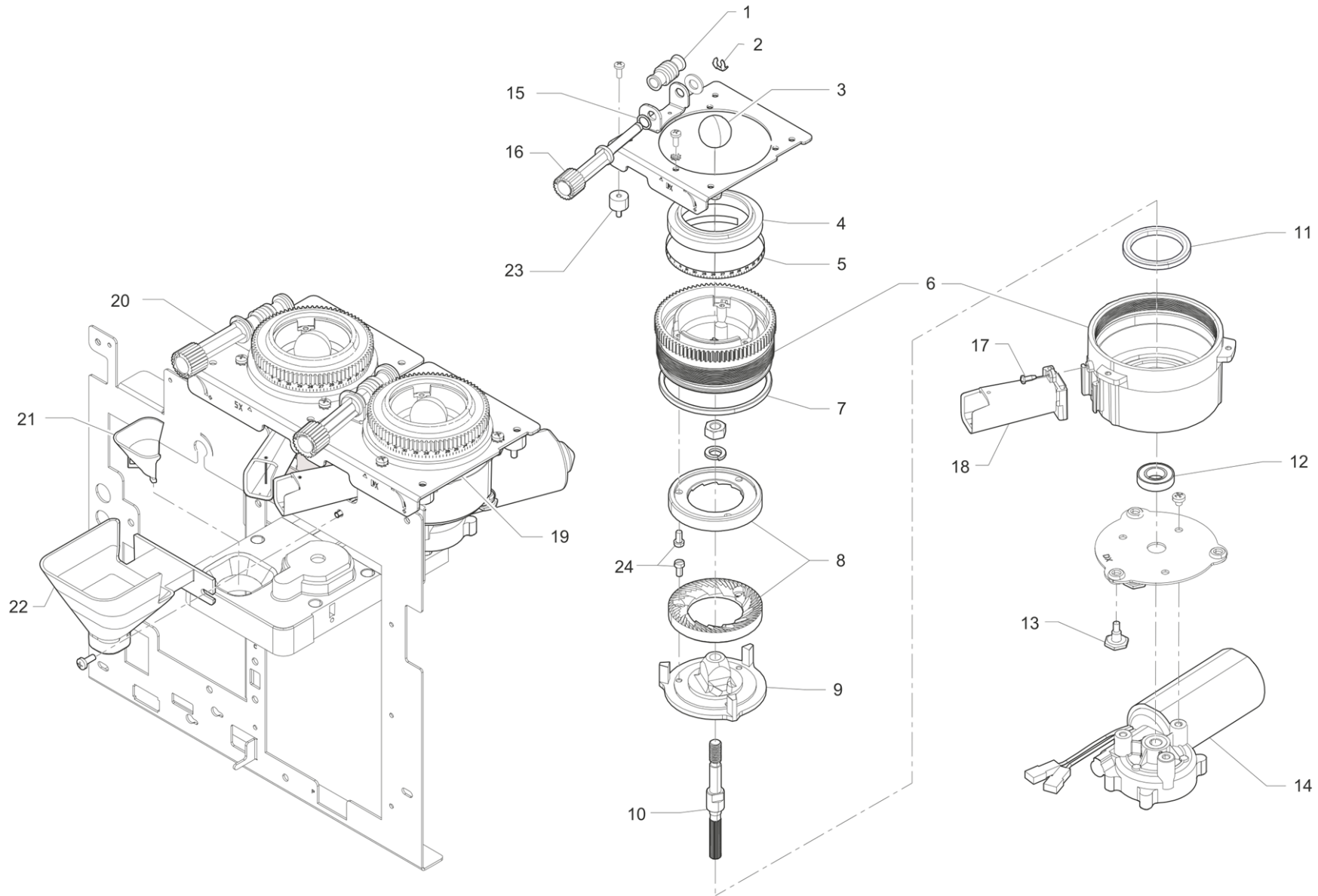


Pos	Part Number	Description	Validity	Notes
1	937074000	FAIRLEAD		
2	966490000	TRIAC COOLING FAN		
3	532126000	CABLE GLAND		
4	537060800	TRIAC BOARD S30		
5	535933000	Terminal board		
6	531404200	PHASE FILTER 115/250V 50/60 Hz		
7	536240040	DRAWER SENSOR WIRING		
	⇒ 536240030	S15 # Drawer wiring cable		
8	917321000	POWER SUPPLY CABLE		
8	530191500	POWER CABLE 3X1.5 WITH FASTON WITH UK PL	M:UK	
8	535799000	MAIN CABLE WITH PLUG 3X2	M:JP	
8	535807010	POWER SUPPLY CABLE 200V FASTON+OCCH. PSE	M:JP	
	⇒ 535807000	MAIN CABLE 200V	M:JP	
8	917442000	SUPPLY CABLE WITH PLUG	N:KTL	
8	917446000	SUPPLY CABLE 3x1.5 WITH FAST. WITH AUSTR	M:AU	
8	536313000	3X14AWG SUPPLY CABLE WITH PLUG	N:UL	
9	530991600	MEANWELL POWER SUPPLY UNIT		
10	917195010	ELECTRIC BOX COVER		
11	532123300	CORD FIXING LOCK		

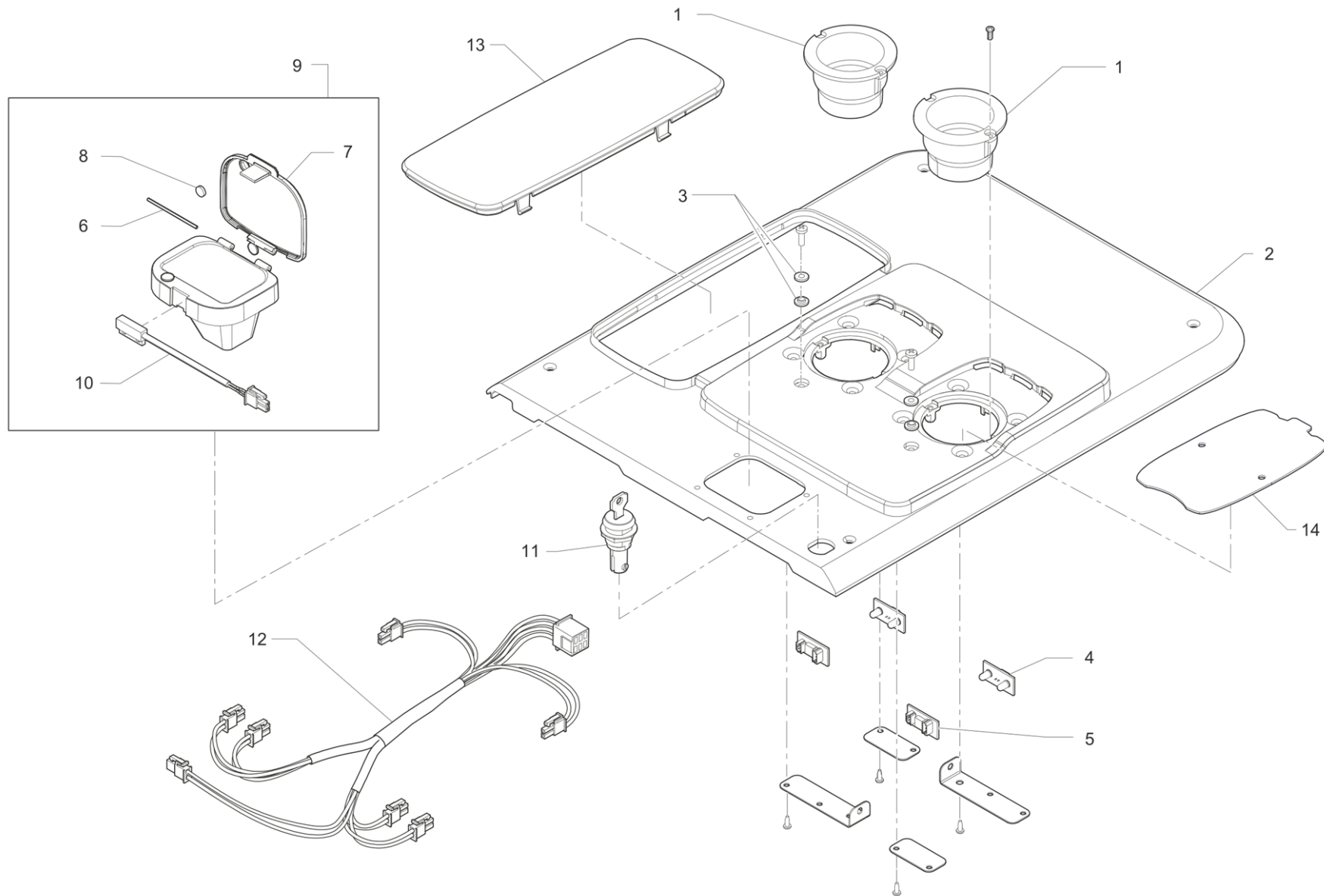


Pos	Part Number	Description	Validity	Notes
1	946410000	CPU PLASTIC BOX		
2	523135080	SCREW		
3	966846040	CPU BOARD		
4	3341133478	SAFETY SWITCH		
5	940410010	FAN 24DC		
6	946396000	DOOR SWITCH HOOD		
7	532024500	SWITCH		
7	532025400	GREEN TWO POLE SWITCH	N:KTL	
8	536247070	S15 - solenoid valve + panel		
	⇒ 536247040	SOLENOID VALVE+PANEL		
9	536248060	S15 - Sensors+Power+Motors		
	⇒ 536248030	SENSOR+POWER SUPPLY UNIT+MOTOR		
10	946842000	SERVICE KIT		
11	538152000	S15 DISPERSER		
12	532737100	SPACER M3XH.11		
13	531508100	2-EXCHANGE RELAY 8A DC		
14	538154000	RELAY	N:UL	

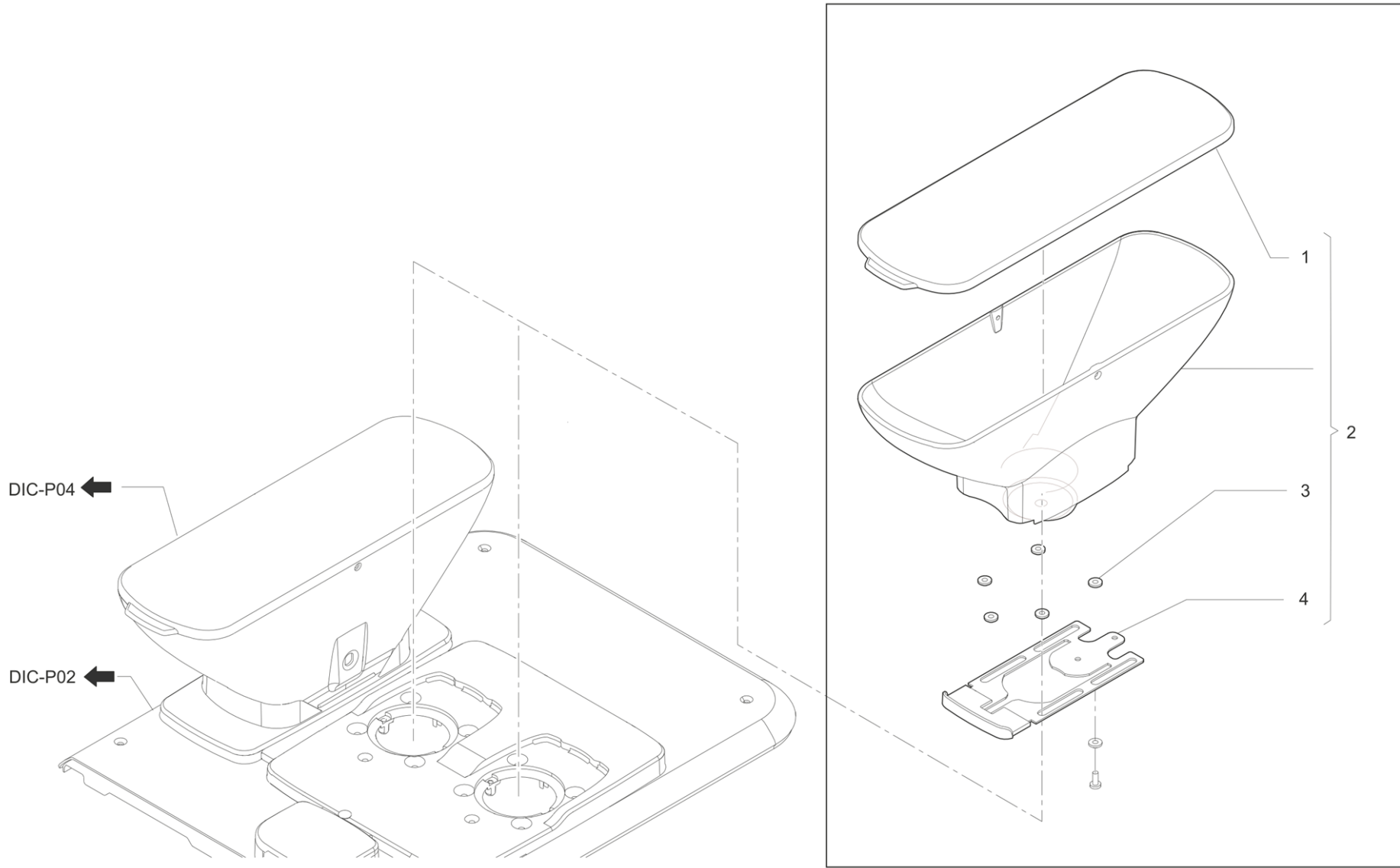




Pos	Part Number	Description	Validity	Notes
1	940087000	SCREW		
2	532745700	LOCKING RING		
3	916294020	M2 GRINDER BALL		
4	917069000	GRINDER-HOLDER GASKET		
5	431137010	GRINDING REGULATION LABEL		
6	917729020	BODY AND ADJUSTABLE RING NUT		
7	936105000	LIP SEAL		
8	537041300	GRINDSTONE DIA.63,5 MM		
9	917071010F	ROTARY GRINDER-HOLDER		
10	917072010	LOWER GRINDER-HOLDER SHAFT		
11	917065000	GEAR BEARING		
12	917064000	RADIAL BEARING		
13	972333000	SCREW M4		
14	536101200	GEAR MOTOR WITH GUARD		
15	402195000	O-RING 9,25X1,78 NF		
16	940088000	GRINDING ADJUSTMENT SCREW SHAFT		
17	523103080	SCREW		
18	917552000	SLEEVE COFFEE COLLECTOR		
19	917849000	RH GRINDER		
20	917848000	LH GRINDER		
21	917335000F	SLEEVE COFFEE GROUP		
22	917338000F	COFFEE POWDER SLEEVE		
23	532806300	VIBRATION-DAMPING RUBBER WASHER		
24	500004080	M4X8 SCREW UNI 6107 INOX		



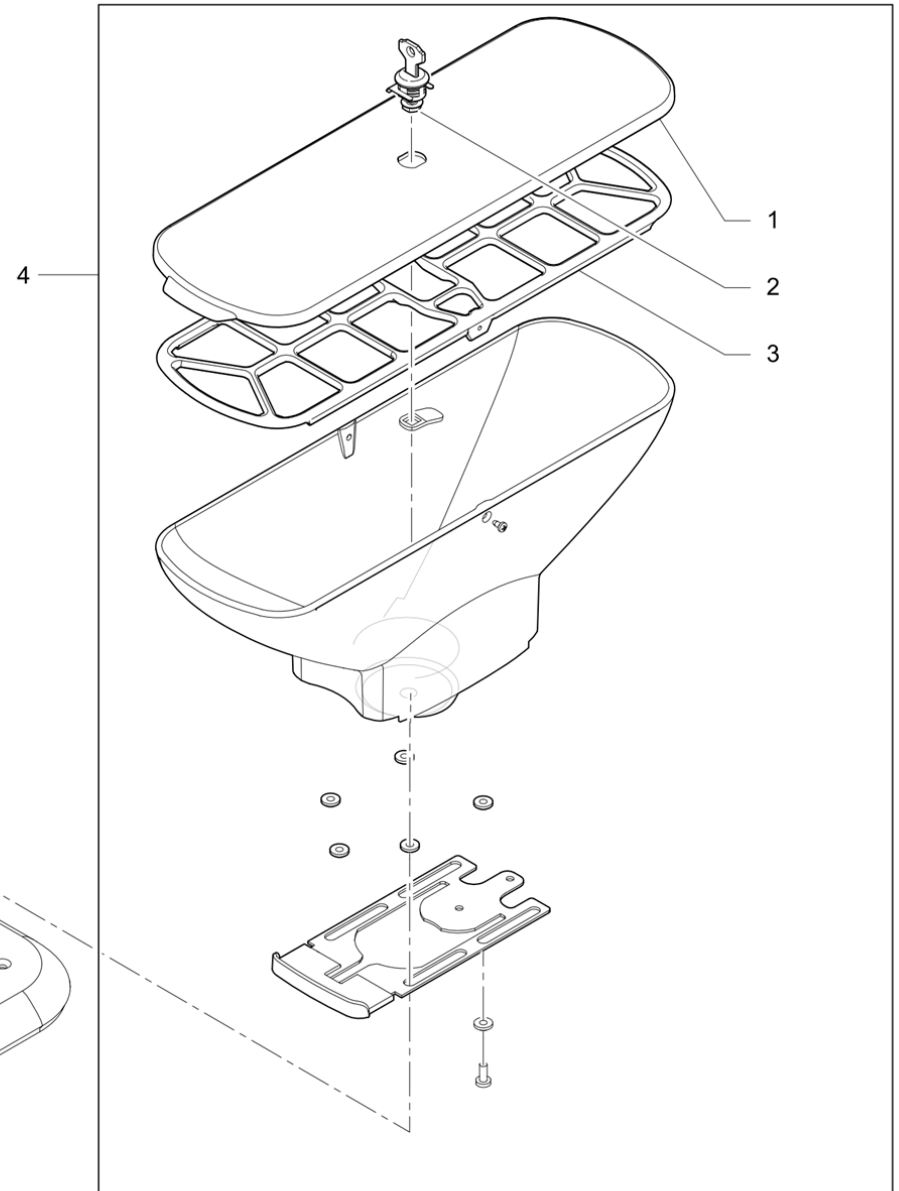
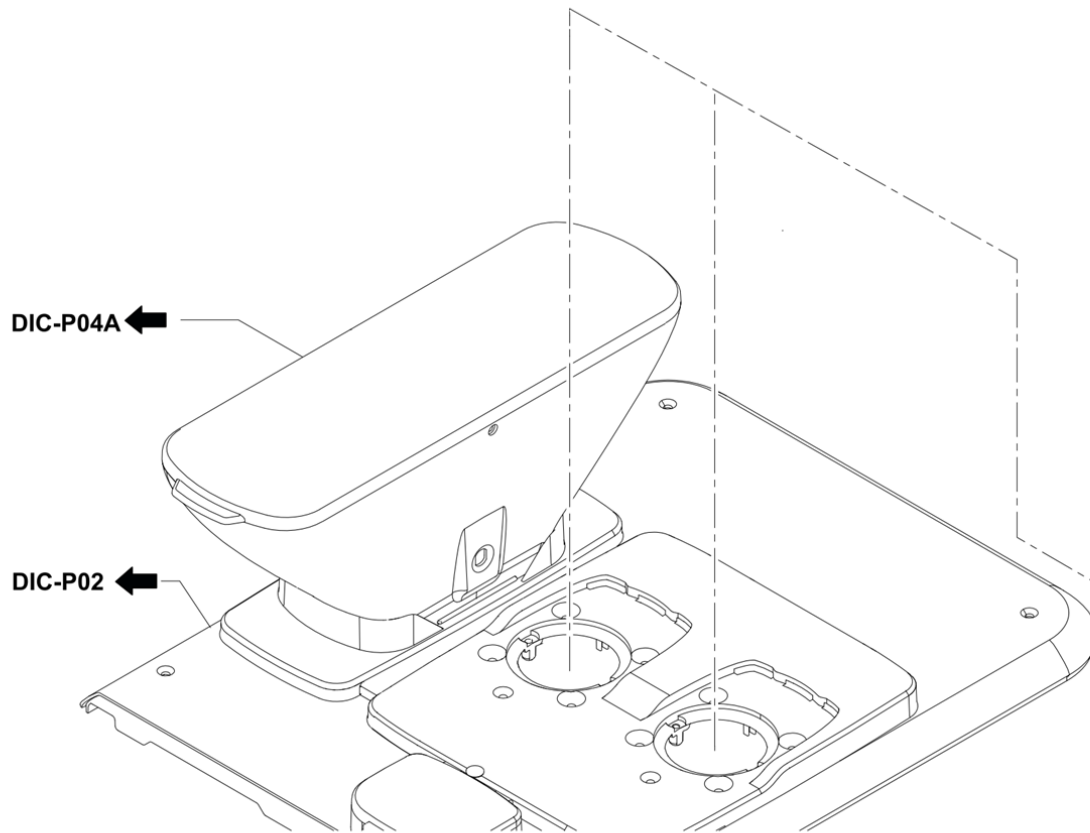
Pos	Part Number	Description	Validity	Notes
1	917096000	SENSOR COFFEE GLASS		
2	917025000	TOP COVER		
3	966227000	SHUTTER SLIDE BUSHING		
4	535536018	PHOTOCELL TX		
5	535535008	HOPPER RECEIVING BOARD		
6	966452000F	DECAFFEINATED CHUTE HINGE SHAFT		
7	966451010F	DECAFFEINATED CHUTE COVER		
8	530602000	MAGNET		
9	946814010	DECAFFEINATED CHUTE ASSEMBLY		
10	535947000	WASHING BASIN PRESENCE SENSOR S30		
11	534195300	LOCK		
12	536259010	S15 - Dek+coffee sensors		
13	917292000	CHOCOLATE POWDER HOPPER LOCK		
14	917294004	COFFEE HOPPER LOCK		



Pos	Part Number	Description	Validity	Notes
1	917084000F	HOPPER COFFEE COVER		
2	917850000	COFFEE HOPPER		
3	966227000	SHUTTER SLIDE BUSHING		
4	917517000F	HOPPER COFFEE HANDLE		

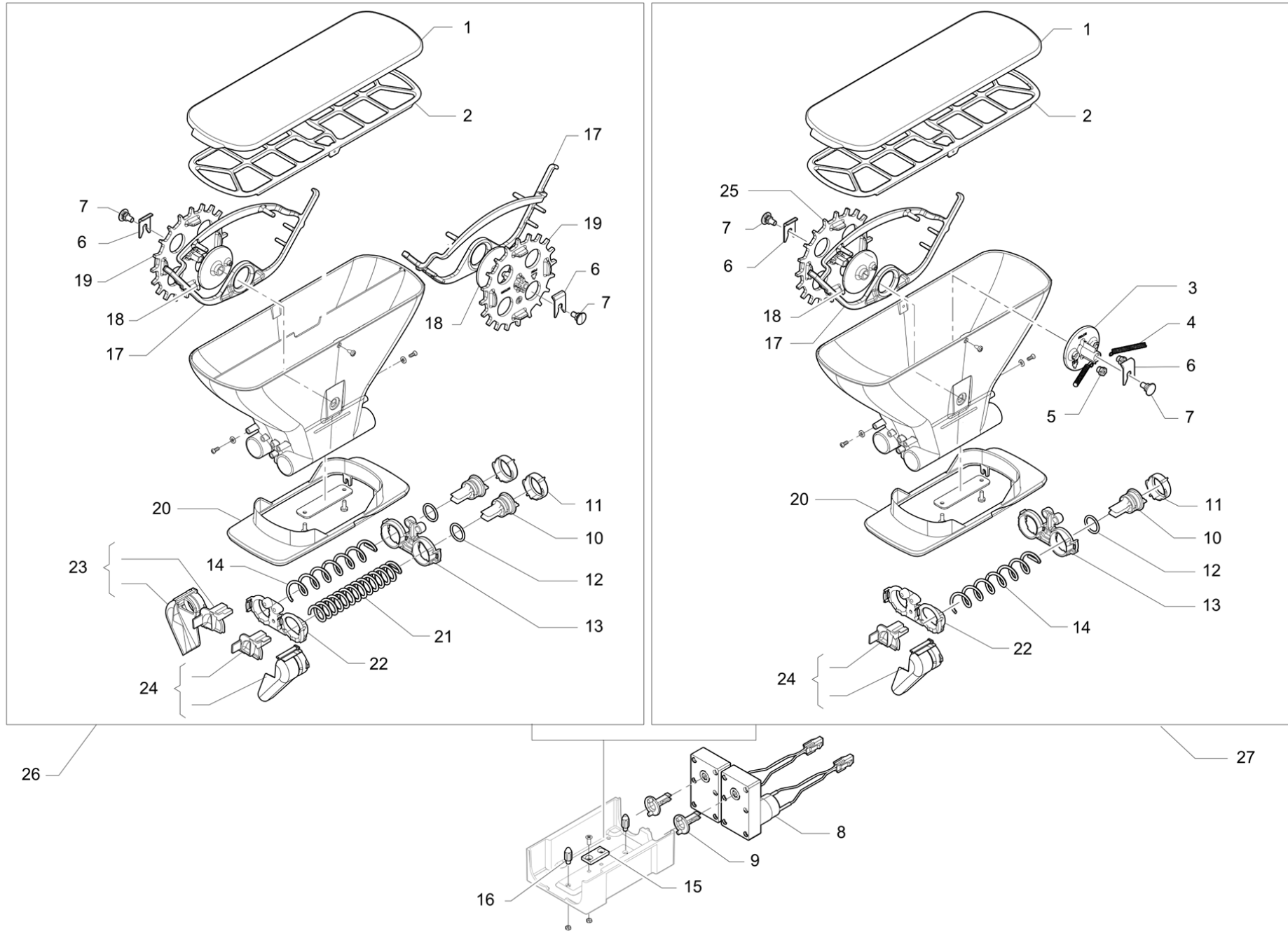
Per i particolari non codificati vedere la tabella  
 Pour les pièces détachées pas codifiées se référer aux vues éclatées  
 For the parts not listed, please refer to the table  
 Bezüglich der nicht kodifizierten Ersatzteile bitte die Tabelle verwenden  
 Por los repuestos no codificados rogamos de utilizar la tabula  
 Pelos particulares no codificados outar as tabela

➔ DIC-P03

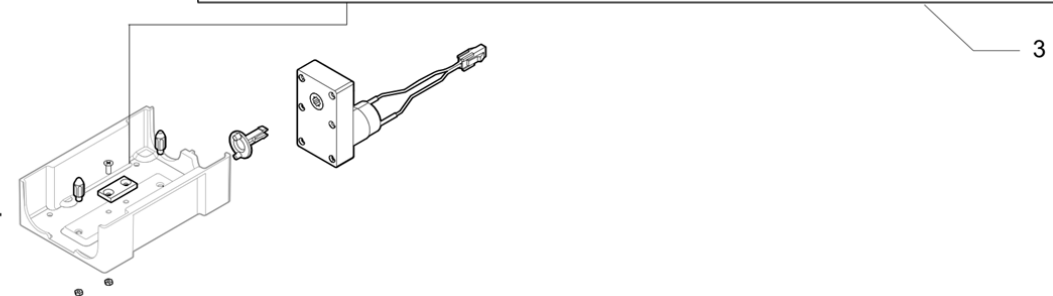
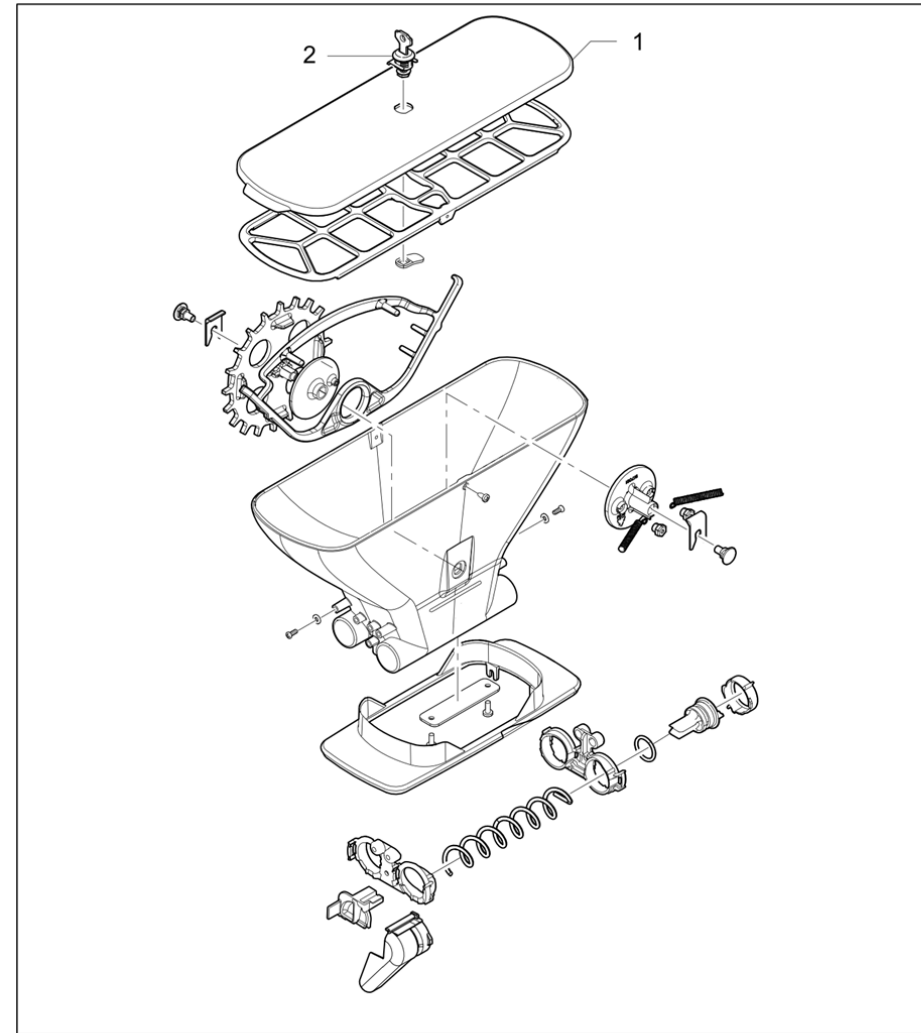


Pos	Part Number	Description	Validity	Notes
1	917113000F	COFFEE HOPPER COVER W/LOCK		
2	534194300	STANDARD LOCK		
3	917100000F	COFFEE HOPPER GRILLE		





Pos	Part Number	Description	Validity	Notes
1	917084000F	HOPPER COFFEE COVER		
2	917100000F	COFFEE HOPPER GRILLE		
3	917091000F	CAM COUNTER DISC FOR SPRINGS		
4	917094000F	STIRRER SPRING		
5	940414000	NUT M3		
6	940126000	FIXING CLIP		
7	940125000	PIN FIXING GEAR		
8	530892410	STAR COUPLING GEARED MOTOR		
9	966176000	FORK PINION		
10	966175000	SPIRAL PULLING PIN		
11	966181000	REAR FIXING CROWN		
12	402215000	GASKET		
13	917099000	AUGER DRIVER FASTENER RINGS		
14	917093000F	AUGER FOR SOLUBLES PITCH 18		
15	430020020	MAGNET DRIP TRY		
16	966178000	SOLUBLE CONTAINER CENTRING PIN		
17	917088000F	STIRRER FOR SOLUBLES		
18	940412000	DISK CAM (Q10) (BC)		
19	917089000F	TWO-GEAR STIRRER FOR SOLUBLES		
20	917095000	SOLUBLES HOPPER BASE		
21	917092000F	AUGER FOR SOLUBLES PITCH 9		
22	917098000	CHUTE FASTENER RINGS		
23	917854000	LH CHUTE		
24	917853000	RH CHUTE		
25	917090000F	SINGLE GEAR STIRRER FOR SOLUBLES		
26	917852000	TWIN HOPPER FOR SOLUBLE PRODUCTS		
27	917851000	SINGLE HOPPER FOR SOLUBLE PRODUCTS		



Per i particolari non codificati vedere la tabella  
 Pour les pieces détachées pas codifiées se référer aux vues éclatées  
 For the parts not listed, please refer to the table  
 Bezüglich der nicht kodifizierten Ersatzteile bitte die Tabelle verwenden  
 Por los repuestos no codificados rogamos de utilizar la tabula  
 Pelos particulares no codificados outar as tabela

➔ DIC-P04

Pos	Part Number	Description	Validity	Notes
1	917113000F	COFFEE HOPPER COVER W/LOCK		
2	534194300	STANDARD LOCK		

*LA CIMALI*