

Traditional coffee machines



PRESIDENT

INDEX

GENERIC TABLE	3
PRIMARY SPARE PARTS	9
HYDRAULIC CIRCUIT	11
PRESIDENT - HYDRAULIC CIRCUIT GTI	13
COACHWORK	15
PRESIDENT - COACHWORK GTI	17
COACHWORK	19
PRESIDENT - COACHWORK GTI	21
CUPS-WARMER	23
CONTROL PANEL	25
CONTROL PANEL	27
BOILER	29
PRESIDENT - BOILER GTI	32
WATER AND STEAM TAPS	34
AUTOSTEAM	37
PRESIDENT - AUTOSTEAM SX	40
HYDRAULIC COMPONENTS	42

DELIVER GROUP T.V.	44
PRESIDENT - BREWING GROUP GTI	46
PRESIDENT - BREWING GROUP GTI INOX	48
VOLUMETRIC PUMP	50
ELECTRICAL BOX	52
PRESIDENT IDEA - ELECTRICAL BOX	54
FILTERHOLDERS AND FILTERS	56
FILTERHOLDERS AND FILTERS	58
FILTERHOLDERS AND FILTERS	60

Pos	Part Number	Description	Validity	Notes
-	710844030F	ASS. RUBINETTO NO PURGE PRESIDENT		
	⇌ 710772010F	COMPLETE TAP WITHOUT "PURGE"		
-	710153040	UPPER GROUP PARTITION 3GR		
	⇌ 710153020	3-GR PARTITION		
-	710154040	UPPER GROUP PARTITION 2GR		
	⇌ 710154020	2 GR PARTITION		
-	710155030	UPPER GROUP PARTITION 4GR		
	⇌ 710155020	4 GR PARTITION		
-	710288000	LH drip tray GUARD		
-	710289000	RH drip tray GUARD		
-	710290000	GROUP LIGHTS GLASS		
-	537059410	NEWTON CPU BOARD		
-	710529030	BASIN 2GR		
	⇌ 710529020	drip tray 2GR		
-	710531030	BASIN 4GR		
	⇌ 710531020	drip tray 4GR		
-	985609010	STEAM WAND		
-	710102030	STEAM LEVER		
	⇌ 710102020	STEAM LEVER		
-	537063700	SUPPLY pipe GROUP3		
-	537063800	SUPPLY pipe GROUP2		
-	537063900	SUPPLY pipe GROUP1		
-	537064000	RETURN pipe GROUP3		
-	537064100	RETURN pipe GROUP2		
-	537064200	SUPPLY pipe GROUP4		
-	537064300	RETURN pipe GROUP1		
-	537064400	RETURN pipe GROUP4		
-	457431005F	DISPENSER GROUP WITH DISC		
-	710518004	TOUCH FACING		
-	710126011	ELECTRIC BOX COVER		
-	710530030	BASIN 3GR		
	⇌ 710530020	3GR DIP TRAY		
-	710017000	3GR REAR PANEL		
-	710178000	PANEL HANDLE INOX		
-	710179000	REAR PANEL SPACER		
-	710039030	LH CUP-WARMER PLATE 2 GR		
	⇌ 710039020	2GR CUP-WARMER PLATE		
-	710016010	REAR PANEL 2 GR		
	⇌ 710016000	2GR REAR PANEL		
-	710601000F	ANTI-WHIRLPOOL VALVE TUBE 2-3 GR		
	⇌ 710545000F	ANTI-WHIRLPOOL VALVE TUBE		
-	710789020F	STAINLESS STEEL ANTI-ROTATION WAND FORM.		
	⇌ 710789010F	STAINLESS STEEL ANTI-ROTATION WAND		
-	950163010F	DRAIN TAP CUT-OFF		

Pos	Part Number	Description	Validity	Notes
-	710715030	WATER BUTTON PAD		
-	710038030	RH CUP-WARMER PLATE		
-	710039030	LH CUP-WARMER PLATE 2 GR		
-	710040030	LH CUP-WARMER PLATE 3 GR		
-	710041030	LH CUP-WARMER PLATE 4 GR		
-	710010010	LOWER PARTITION 2 GR		
	⇒ 710010000	LOWER SLUICE-VALVE 2GR		
-	710011010	LOWER PARTITION 3 GR		
	⇒ 710011000	LOWER SLUICE-VALVE 3GR		
-	710012010	LOWER PARTITION 4 GR		
	⇒ 710012000	LOWER SLUICE-VALVE 4GR		
-	710016010	REAR PANEL 2 GR		
-	710017010	REAR PANEL 3 GR		
-	710018020	REAR PANEL 4 GR		
	⇒ 710018010	REAR PANEL 4 GR		
-	710003027	UPPER GROUP-COVER TOUCH SCREEN		
-	903995020	WATER/STEAM VALVE		
-	958231005F	MINI-VALVE		
-	911596010	INJECTOR		
-	710844030F	ASS. RUBINETTO NO PURGE PRESIDENT		
	⇒ 710844000F	NO-PURGE TAP BODY PRESIDENT		
-	710018020	REAR PANEL 4 GR		
-	534393410F	VOLUMETRIC COUNTER		
-	710294000	Y DRAINAGE JOINT		
-	457062020	BELL CLEANING BRUSH		
	⇒ 457062010	BELL CLEANING BRUSH		
-	710256000	CUP-WARMER GRILLE 344x240		
	⇒ 710214000	CUP-WARMER GRILLE 344x240		
-	536238000	TIESSE WIRING		
-	710789020F	STAINLESS STEEL ANTI-ROTATION WAND FORM.		
-	957846010F	FAEMA STAINLESS STEEL/WOODEN 2-WAY FILTE		
-	957858010F	FAEMA STAINLESS STEEL/WOODEN 1-WAY FILTE		
-	537068700	CALDAIA 4 GR C.IMB.		
	⇒ 970556020	EMBLEMA 4GR BOILER		
-	710135010	2GR REAR PANEL		
	⇒ 710135000	2GR REAR PANEL		
-	710136010	3GR REAR PANEL		
	⇒ 710136000	3GR REAR PANEL		
-	710137010	4GR REAR PANEL		
	⇒ 710137000	4GR REAR PANEL		
-	537068600	CALDAIA 3 GR C/IMB.		
	⇒ 970555050	TEOREMA BOILER 3GR		
-	537068500	CALDAIA 2 GR C/IMB.		

Pos	Part Number	Description	Validity	Notes
	≡ 970554050	TEOREMA BOILER 2GR		
-	536238000	TIESSE WIRING		
-	946993000	ROUTER BOX		
-	710100008	RUVECO WATER BODY		
-	970165010	MEASURING DISC FOR BREWING GROUP		
-	710195004	PAINTED TAP GUARD		
-	531494300	METAL. COND. 10 uF DUCATI 416.33.27		
-	710844030F	ASS. RUBINETTO NO PURGE PRESIDENT		
	≡ 710844010F	PRESIDENT TAP WITHOUT PURGE FUNCTION		
-	457062020	BELL CLEANING BRUSH		
-	492298005F	SAFETY VALVE		
-	710310010	WATER WAND LOCK		
-	710102030	STEAM LEVER		
-	710605020	FAEMINA GLOSSY STAINLESS STEEL GROUP-COV		
-	710649000F	RH STEAM TUBE 3GR GTI		
-	710649005F	RH STEAM TUBE 3GR GTI	N:NSF	
-	710651000F	DISCHARGE TUBE		
-	710652000F	VOLUMETRIC METER TUBE 2GR GTI		
-	710653000F	VOLUMETRIC METER TUBE 3GR GTI		
-	710647000F	VOLUMETRIC METER TUBE 4GR GTI		
-	710654000F	VOLUMETRIC METER TUBE 2GR TT		
-	710648000F	VOLUMETRIC METER TUBE 4GR TT		
-	710650000F	VOLUMETRIC METER TUBE 3GR TT		
-	710655000F	BOILER FILLING TUBE TT		
-	532660830F	ELBOW CONNECTOR 1/4		
-	710352000	THERMAL ADJUSTMENT GASKET		
-	710013030	UPPER PARTITION GTI 2GR		
	≡ 710013020	UPPER PARTITION GTI 2GR		
-	710014030	UPPER PARTITION GTI 3GR		
	≡ 710014020	UPPER PARTITION GTI 3GR		
-	710015020	UPPER PARTITION GTI 4GR		
-	710234050	UPPER PARTITION GTI AS 2GR		
	≡ 710234040	UPPER PARTITION GTI AS 2GR		
-	710218050	UPPER PARTITION GTI AS 3GR		
	≡ 710218040	UPPER PARTITION GTI AS 3GR		
-	710233040	UPPER PARTITION GTI AS 4GR		
-	710154040	UPPER GROUP PARTITION 2GR		
	≡ 710154030	UPPER GROUP PARTITION 2GR		
-	710153040	UPPER GROUP PARTITION 3GR		
	≡ 710153030	UPPER GROUP PARTITION 3GR		
-	710155030	UPPER GROUP PARTITION 4GR		
-	710222050	UPPER PARTITION AS 2GR		
	≡ 710222040	UPPER PARTITION AS 2GR		
-	710224050	UPPER PARTITION AS 3GR		

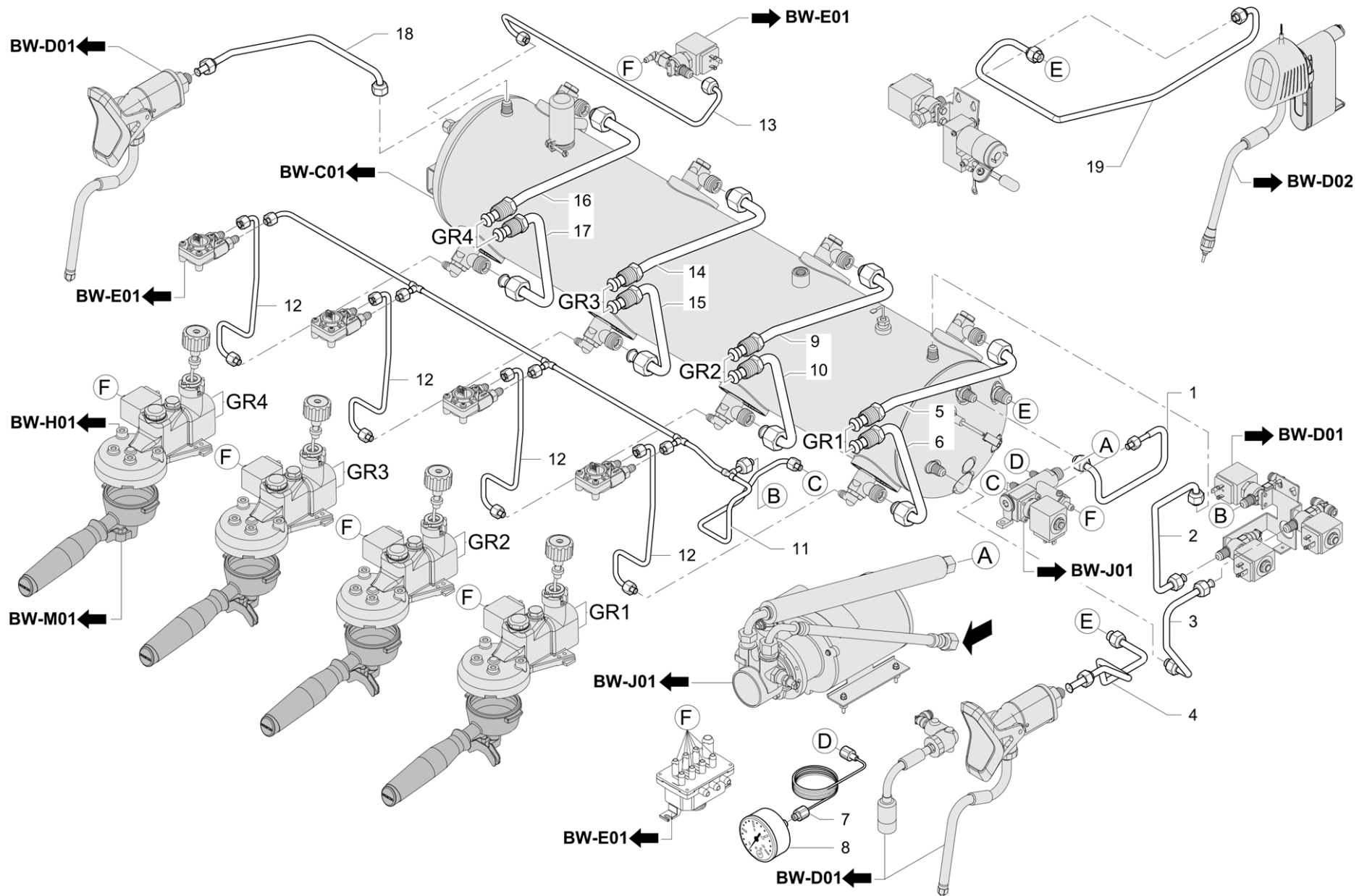
Pos	Part Number	Description	Validity	Notes
	⇌ 710224040	UPPER PARTITION AS 3GR		
-	710253040	UPPER PARTITION AS 4GR		
-	532660740F	ADJUSTABLE 1/8 ELBOW CONNECTOR		
	⇌ 532660730F	ADJUSTABLE ELBOW CONNECTOR 1/8		
-	533892310R	3-WAY SCEM SOLENOID VALVE R.24V 60HZ UL		
-	533903210F	SOLENOID VALVE 3/2 - #3mm 1/4 M/F FKM PA		
-	533903610F	SOLENOID VALVE 3/2 - #3mm 1/4 M/F FKM PA		
-	533903510F	SOLENOID VALVE 2/2 - #5mm 1/4 M/F FKM PA		
-	710656000F	STEAM WAND WITH SHORT SENSOR		
-	533893320R	SOLENOID VALVE 2G 24V/50-60Hz		
-	533903110F	SOLENOID VALVE 2/2 - #5 mm 1/4 M/F FKM C		
-	503404060	M4X6 T.C.C.E. SCREW		
-	710166017	AUTOSTEAM BUTTON PAD CASING		
-	710167027	AUTOSTEAM BUTTON PAD CASING CLOSURE		
-	710353000	HEXAGONAL SPACER M4 H=4		
-	533902910F	SOLENOID VALVE		
-	533903010F	SOLENOID VALVE 2/2 - #2.5mm 1/4 M/F FKM		
-	533895720R	2-WAY SOLENOID VALVE 24V/60		
-	533903410F	SOLENOID VALVE 2/2 - #2.5mm 1/4 M/F FKM		
-	710132024	CUSTOMISED REAR PLATE 2GR		
-	710133024	CUSTOMISED REAR PLATE 3GR		
	⇌ 710133014	PERSONALISABLE REAR PANEL 3GR		
-	710134024	CUSTOMISED REAR PLATE 4GR		
	⇌ 710134014	PERSONALISABLE REAR PANEL 4GR		
-	710529030	BASIN 2GR		
	⇌ 710529000	BASIN 2GR		
-	710530030	BASIN 3GR		
	⇌ 710530000	BASIN 3GR		
-	710531030	BASIN 4GR		
	⇌ 710531000	BASIN 4GR		
-	710154040	UPPER GROUP PARTITION 2GR		
-	710222050	UPPER PARTITION AS 2GR		
-	710013030	UPPER PARTITION GTI 2GR		
-	710234050	UPPER PARTITION GTI AS 2GR		
-	710208040	UPPER PARTITION GTI AUTOSTEAM 2GR		
-	532404020F	ELBOW CONNECTOR 1/4		
-	710153040	UPPER GROUP PARTITION 3GR		
-	710224050	UPPER PARTITION AS 3GR		
-	710014030	UPPER PARTITION GTI 3GR		
-	710218050	UPPER PARTITION GTI AS 3GR		
-	710209040	UPPER PARTITION GTI AUTOSTEAM 3GR		
-	402274000	GASKET		

Pos	Part Number	Description	Validity	Notes
-	533180010	180 L/h VOLUMETRIC PUMP INOX W/FILTER		
	⇒ 533198100	TECH FLUID PUMP		
-	532660740F	ADJUSTABLE 1/8 ELBOW CONNECTOR		
-	533904210F	SOLENOID VALVE 2/2		
-	783060000F	SPRAYHEAD WITH REINFORCED MEMBRANE		
	⇒ 983594000F	LOW TAP AERATOR		
-	710149017	LOWER CASE FASTENER		
-	710154050	GROUP UPPER PARTITION 2GR		
-	710222060	UPPER PARTITION AS 2GR		
-	710013040	GTI UPPER PARTITION 2GR		
-	710234060	UPPER PARTITION GTI AS 2 GR		
-	710208050	UPPER PARTITION GTI AUTOSTEAM 2GR		
-	710153050	GROUP UPPER PARTITION 3GR		
-	710224060	UPPER PARTITION AS 3GR		
-	710014040	GTI UPPER PARTITION 3GR		
-	710218060	UPPER PARTITION GTI AS 3 GR		
-	710209050	UPPER PARTITION GTI AUTOSTEAM 3GR		
-	710155050	GROUP UPPER PARTITION 4GR		
-	710253060	UPPER PARTITION AS 4GR		
-	710015040	GTI UPPER PARTITION 4GR		
-	710233060	UPPER PARTITION GTI AS 4 GR		
-	710210050	UPPER PARTITION GTI AUTOSTEAM 4GR		
-	710138010	LOWER REAR PANEL 2GR WITH LIGHT		
-	710143010	LOWER REAR PANEL 3GR WITH LIGHT		
-	710142010	LOWER REAR PANEL 4GR WITH LIGHT		
-	710027010	LOWER REAR PANEL FASTENER 2GR		
-	710028010	LOWER REAR PANEL FASTENER 3GR		
-	710029010	LOWER REAR PANEL FASTENER 4GR		
-	710006014	LH LOWER SIDE FASTENER		
-	710270024	LH BOILER LOWER SIDE FASTENER		
-	710005014	RH LOWER SIDE FASTENER		
-	710269024	RH BOILER LOWER SIDE FASTENER		
-	710007034	FAEMA PRESIDENT FOOT		
-	402334010F	GUARNIZIONE TOPCHEM 2000		
-	402223010	GASKET, OR 7.65X1.78 TS PROBE		
-	402250010	OR 3.68X1.78 VITON NSF		
-	710805000	DISPLAY		
-	402221000F	SEALING GASKET 13x4x4 PEROX		
-	710361000	GUARNIZIONE MONOADESIVA SP. 3mm		
	⇒ 710182000	DIP TRAY GASKET		
-	402196010	GUARNIZIONE OR 4,20 X 1,90 NSF		
-	457431015F	GRUPPO EROG. C/REG. C/DISCO EROG.CW617N		
-	710844030F	ASS. RUBINETTO NO PURGE PRESIDENT		
-	710296015F	CORPO ACQUA PRESIDENT C/CLB		

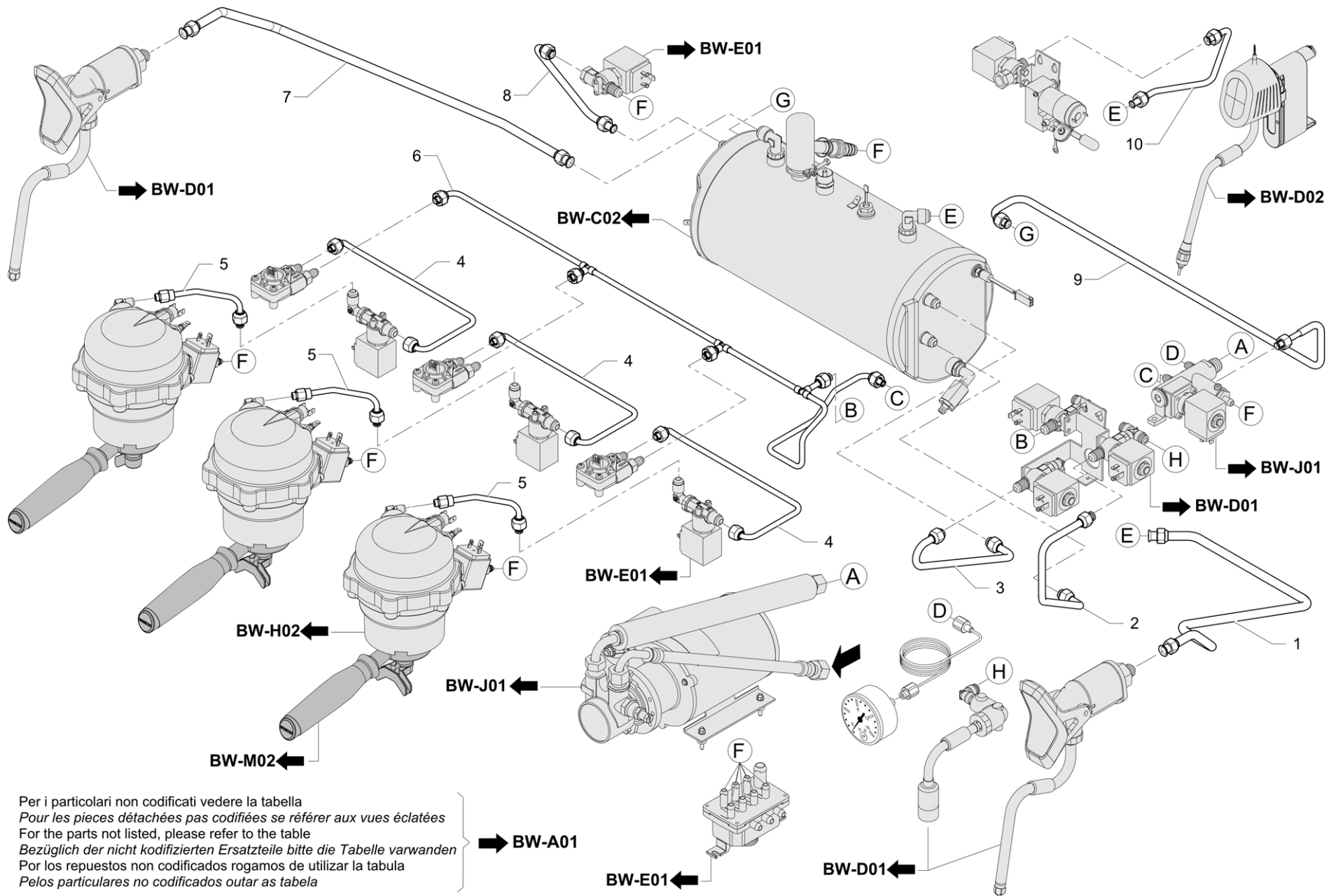
Pos	Part Number	Description	Validity	Notes
-	710196010	ISOLANTE RUBINETTO		
-	418941020	AS.VALVOLA ANTIRISUCCHIO		
-	533896520R	EV 3VIE BASETTA 24V cc RUBINO CLB		
-	537068700	CALDAIA 4 GR C.IMB.		
	⇌ 970556010	4GR BOILER ASS.		
-	537068500	CALDAIA 2 GR C/IMB.	N:NSF	
	⇌ 970576040	TEOREMA BOILER 2GR	N:NSF	
-	537068600	CALDAIA 3 GR C/IMB.	N:NSF	
	⇌ 970577040	TEOREMA BOILER 3GR	N:NSF	
-	537068500	CALDAIA 2 GR C/IMB.		
	⇌ 970554050	TEOREMA BOILER 2GR		

Pos	Part Number	Description	Validity	Notes
-	532394000	DRAINAGE TUBE L=2000		
-	710102030	STEAM LEVER		
	⇒ 710102020	STEAM LEVER		
-	710117000	UPPER DRAINAGE BODY		
-	710118000	LOWER DRAINAGE BODY		
-	710119000	DRAINAGE GASKET		
-	710201000	KNOB PIN		
-	710203000	SHEATH		
-	710226000	THERMAL SYSTEM CONTROL CONNECTOR		
-	710525000	STEAM LEVER COVER		
-	710715030	WATER BUTTON PAD		
-	970180000	THERMAL ADJUSTMENT KNOB		
-	970181000	KNOB LABEL DISK		
-	970182000	THERMAL KNOB LABEL		
-	457443000F	SPOUT SHORT SCREW		
-	537063700	SUPPLY pipe GROUP3		
	⇒ 710533000F	DELIVERY TUBE 3GR		
-	537063800	SUPPLY pipe GROUP2		
	⇒ 710534000F	DELIVERY TUBE 2GR		
-	537063900	SUPPLY pipe GROUP1		
	⇒ 710535000F	DELIVERY TUBE 1GR		
-	537064000	RETURN pipe GROUP3		
	⇒ 710536000F	RETURN TUBE 3GR		
-	710537000F	RETURN TUBE 2GR		
-	710538000F	RETURN TUBE 1GR		
-	710844030F	ASS. RUBINETTO NO PURGE PRESIDENT		
	⇒ 710772020F	COMPLETE TAP WITHOUT "PURGE"		
-	710543000F	DELIVERY TUBE 4GR		
-	710544000F	RETURN TUBE 1GR		
-	957849010F	FAEMA DESMOPAN/STAINLESS STEEL FILTER-HO		
-	957859010F	FAEMA 1-WAY DESMOPAN/STAINLESS STEEL FIL		
-	710996000	ASS. DISPLAY IPS C/VETRINO PRESIDENT RIC		
-	533904210F	SOLENOID VALVE 2/2		
-	537056500	RESISTOR 1300W 220		
-	537056600	1300W 220V RESISTOR WITH RUVECO		
-	710783000	5-BUTTON CHROME-PLATED DISPLAY		
-	710710000	3-BUTTON CHROME-PLATED DISPLAY		
-	710844030F	ASS. RUBINETTO NO PURGE PRESIDENT		
	⇒ 710844010F	PRESIDENT TAP WITHOUT PURGE FUNCTION		
-	533906900F	SOLENOID VALVE 2/2 Ø 5 1/4	T:24Vcc	
-	533906800F	SOLENOID VALVE 2/2 Ø 2.5 1/4	T:24Vcc	
-	533896510R	3-WAY SOLENOID VALVE 24V	T:24Vcc	
-	533907400F	SOLENOID VALVE 2 NORMALLY CLOSED	T:24Vcc	

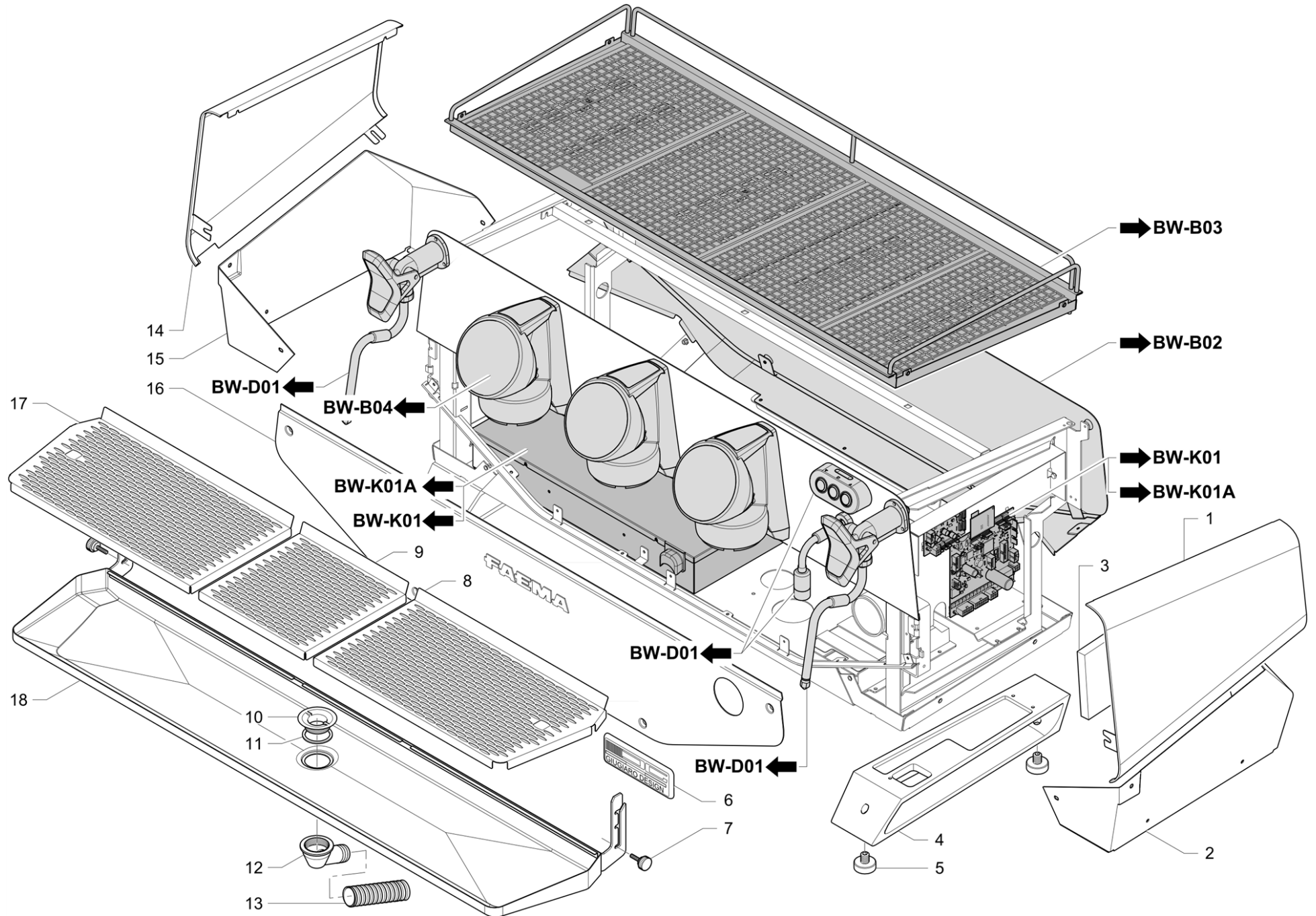
Pos	Part Number	Description	Validity	Notes
-	537067510	SCHEDA CPU IDEA RIC.		
-	538165000	POWER SUPPLY		
-	537068100	SCHEDA TRIAC IDEA LIGHT RIC.		
-	713741000	TRIAC BOARD		
-	533907500F	SOLENOID VALVE 3/2 Ø 3mm 1/4	T:24Vcc	



Pos	Part Number	Description	Validity	Notes
1	710547000F	WATER HEATER FILLING TUBE		
2	710554000F	STEAM/HOT WATER TUBE		
2	710646000F	STEAM/HOT WATER TUBE P293 4GR		
2	710554005F	STEAM/HOT WATER TUBE	N:NSF	
3	710548000F	HOT WATER TUBE		
4	710541000F	RH STEAM TUBE - 3GR		
4	710541005F	RH STEAM TUBE	N:NSF	
5	537063900	SUPPLY pipe GROUP1		
	⇌ 710535000F	DELIVERY TUBE 1GR		
5	537066400	NSF GROUP 1 DELIVERY TUBE	N:NSF	
6	710538000F	RETURN TUBE 1GR		
6	537066700	NSF GROUP 1 RETURN TUBE	N:NSF	
7	3951133673	TUBE FOR GAUGE		
8	531196010	PRESSURE GAUGE		
9	537063800	SUPPLY pipe GROUP2		
	⇌ 710534000F	DELIVERY TUBE 2GR		
9	537066300	NSF GROUP 2 DELIVERY TUBE	N:NSF	
10	710537000F	RETURN TUBE 2GR		
10	537066600	NSF GROUP 2 RETURN TUBE	N:NSF	
11	710550000F	FAN TUBE 2GR		
11	710546000F	FAN TUBE 3GR		
11	710553000F	FAN TUBE 4GR		
11	710550005F	FAN TUBE 2GR	N:NSF	
11	710546005F	FAN RAMP TUBE 3GR	N:NSF	
12	710539000F	WATER HEATER FAN TUBE		
13	710601000F	ANTI-WHIRLPOOL VALVE TUBE 2-3 GR		
13	710603000F	ANTI-WHIRLPOOL TUBE 4GR		
13	710601005F	ANTI-WHIRLPOOL VALVE TUBE 2-3 GR	N:NSF	
14	537063700	SUPPLY pipe GROUP3		
	⇌ 710533000F	DELIVERY TUBE 3GR		
14	537066200	NSF GROUP 3 DELIVERY TUBE	N:NSF	
15	537064000	RETURN pipe GROUP3		
	⇌ 710536000F	RETURN TUBE 3GR		
15	537066500	NSF GROUP 3 RETURN TUBE	N:NSF	
16	710543000F	DELIVERY TUBE 4GR		
17	710544000F	RETURN TUBE 1GR		
18	710551000F	LH STEAM TUBE 2GR		
18	710540000F	LH STEAM TUBE - 3GR		
18	710552000F	LH STEAM TUBE 4GR		
18	710551005F	LH STEAM TUBE 2GR	N:NSF	
18	710540005F	LH STEAM TUBE 3GR	N:NSF	
19	710602005F	TURBOSTEAM TUBE 2-3 GR	N:NSF	
19	710602000F	TURBOSTEAM TUBE 2-3GR TT		



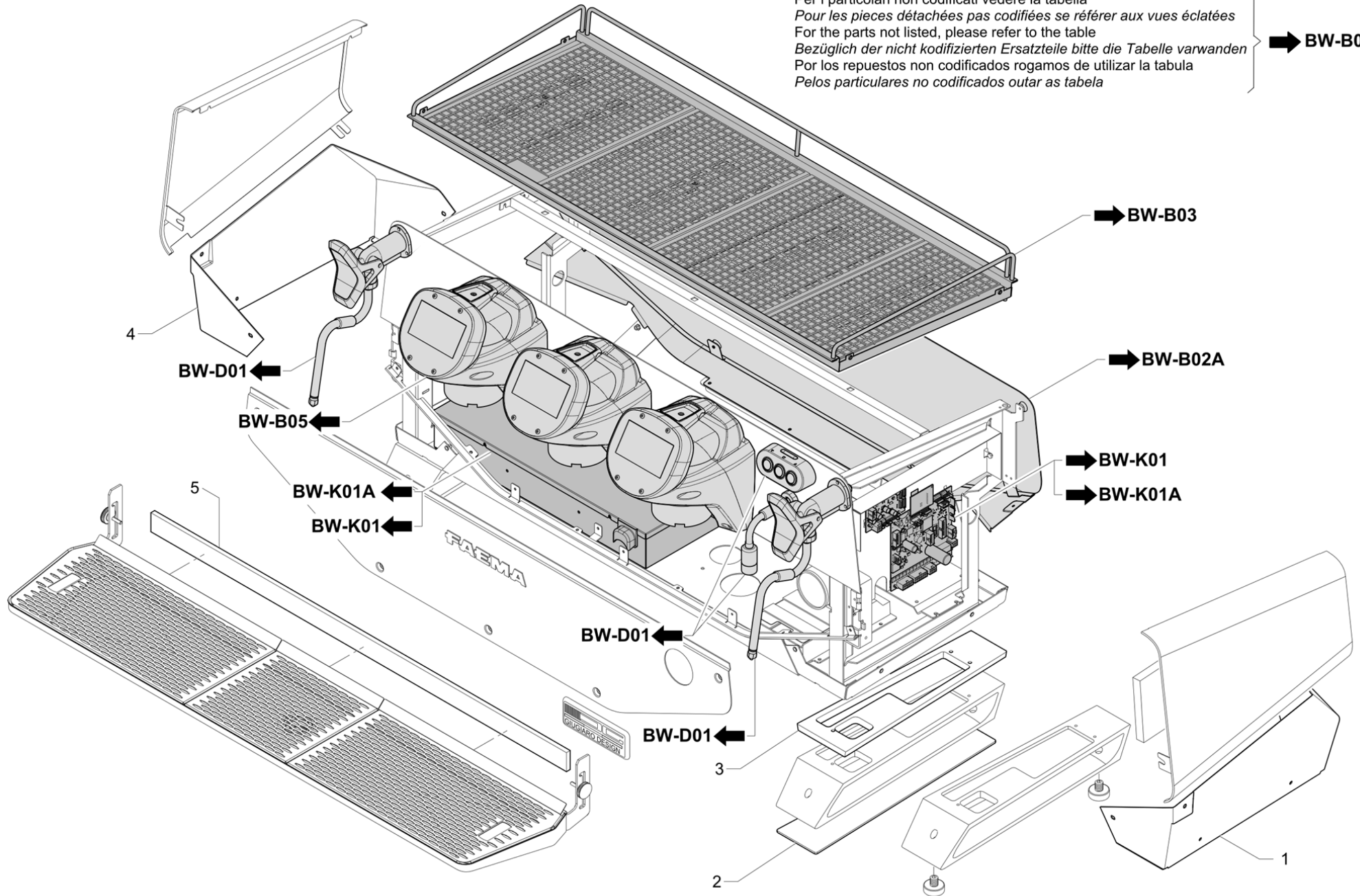
Pos	Part Number	Description	Validity	Notes
1	710564000F	3GR RH STEAM TUBE		
1	710564005F	GTI RH STEAM TUBE ASS.	N:NSF	
2	710523000F	HOT WATER TUBE		
3	710557000F	STEAM/HOT WATER TUBE		
3	710557005F	HOT WATER TUBE	N:NSF	
4	983712010F	FAN/SOLENOID VALVE TUBE E71		
5	710521000F	BOILER TUBE		
5	710521005F	BOILER - SV TUBE	N:NSF	
6	710565000F	VOLUMETRIC METER TUBE 2GR GT		
6	710524000F	VOLUMETRIC METER TUBE 3GR GT		
6	710566000F	VOLUMETRIC METER TUBE 4GR GTI		
6	710565005F	2GR GTI FAN RAMP TUBE	N:NSF	
6	710524005F	3GR GTI FAN TUBE	N:NSF	
7	710567000F	LH STEAM TUBE 2 GROUPS		
7	710526000F	LH STEAM TUBE 3 GROUPS		
7	710568000F	LH STEAM TUBE 4GR		
7	710567005F	2GR GTI NSF LH STEAM TUBE	N:NSF	
7	710526005F	3GR GTI NSF LH STEAM TUBE	N:NSF	
8	983530020F	ANTI-WHIRLPOOL VALVE TUBE		
8	983530005F	ANTI-WHIRLPOOL VALVE TUBE	N:NSF	
9	710522000F	FILLING TUBE PRESIDENT		
10	710639000F	RH AUTOSTEAM TUBE PRESIDENT GTI		
10	710642000F	RH AUTOSTEAM TUBE PRESIDENT GTI 2GR - PR		
10	710642005F	PRESIDENT RH AUTOSTEAM TUBE GTI 2GR	N:NSF	
10	710639005F	PRESIDENT C/CLB RH AS TUBE GTI 3GR	N:NSF	



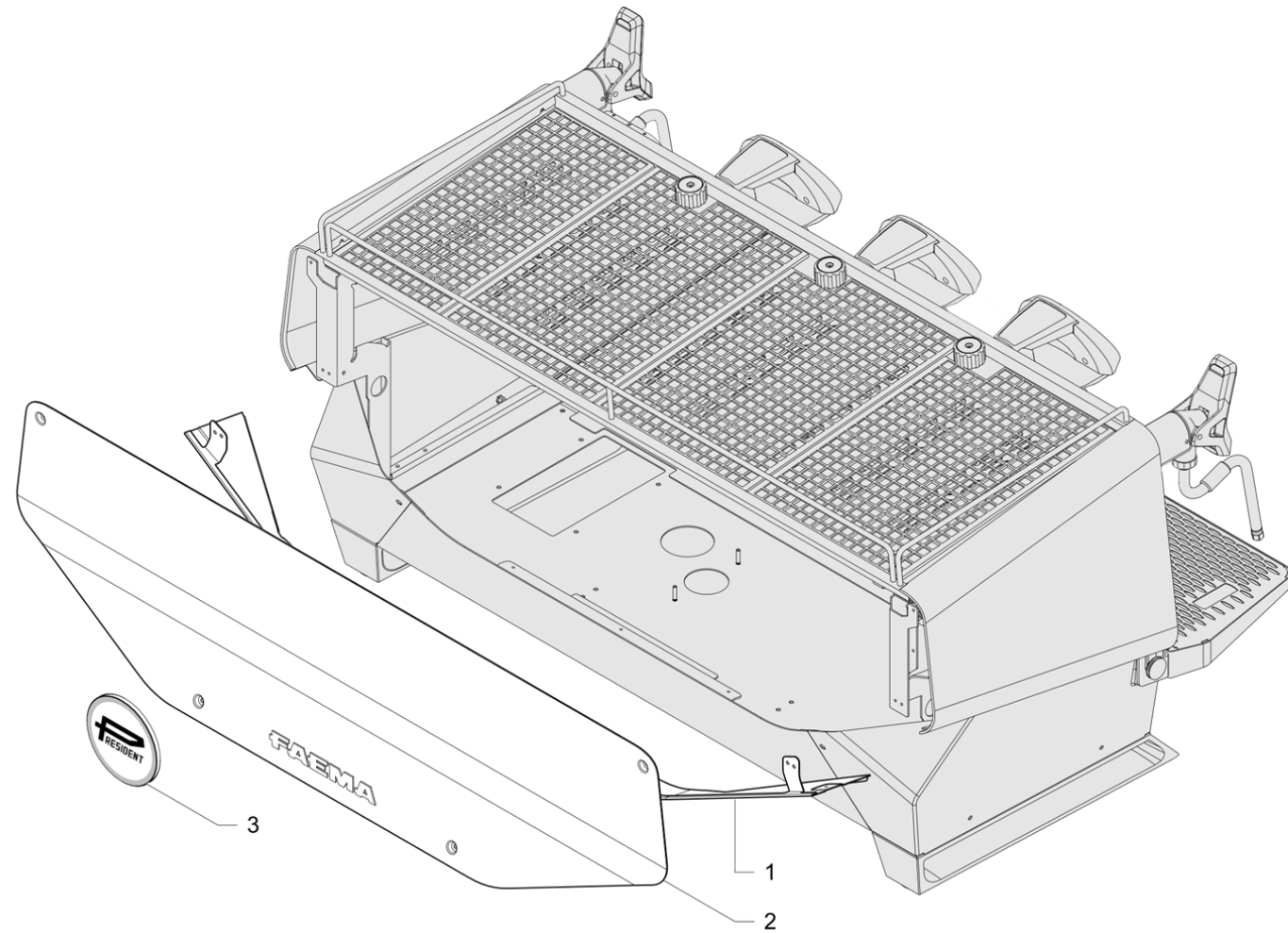
Pos	Part Number	Description	Validity	Notes
1	710008000	UPPER RH SIDE CLOSURE		
2	710005014	RH LOWER SIDE FASTENER		
	⇒ 710005004	LOWER RH SIDE CLOSURE		
3	710254000	SIDE PANEL INSULATION		
4	710007034	FAEMA PRESIDENT FOOT		
	⇒ 710007024	FOOT - FAEMA PRESIDENT		
5	940230000	FOOT		
6	983226000	GIUGIARO DESIGN LABEL		
7	710177000	STAINLESS STEEL SCREW 5x20		
8	710108010	RH GRILLE BASIN		
9	710106010	BASIN GRILLE		
10	710117000	UPPER DRAINAGE BODY		
11	710119000	DRAINAGE GASKET		
12	710118000	LOWER DRAINAGE BODY		
13	532394000	DRAINAGE TUBE L=2000		
14	710009000	UPPER LH SIDE CLOSURE		
15	710006014	LH LOWER SIDE FASTENER		
	⇒ 710006004	LOWER LH SIDE CLOSURE		
16	710010010	LOWER PARTITION 2 GR		
16	710011010	LOWER PARTITION 3 GR		
16	710012010	LOWER PARTITION 4 GR		
17	710107010	LH GRILLE BASIN		
18	710529030	BASIN 2GR		
18	710530030	BASIN 3GR		
18	710531030	BASIN 4GR		

Per i particolari non codificati vedere la tabella
 Pour les pièces détachées pas codifiées se référer aux vues éclatées
 For the parts not listed, please refer to the table
 Bezüglich der nicht kodifizierten Ersatzteile bitte die Tabelle verwenden
 Por los repuestos no codificados rogamos de utilizar la tabula

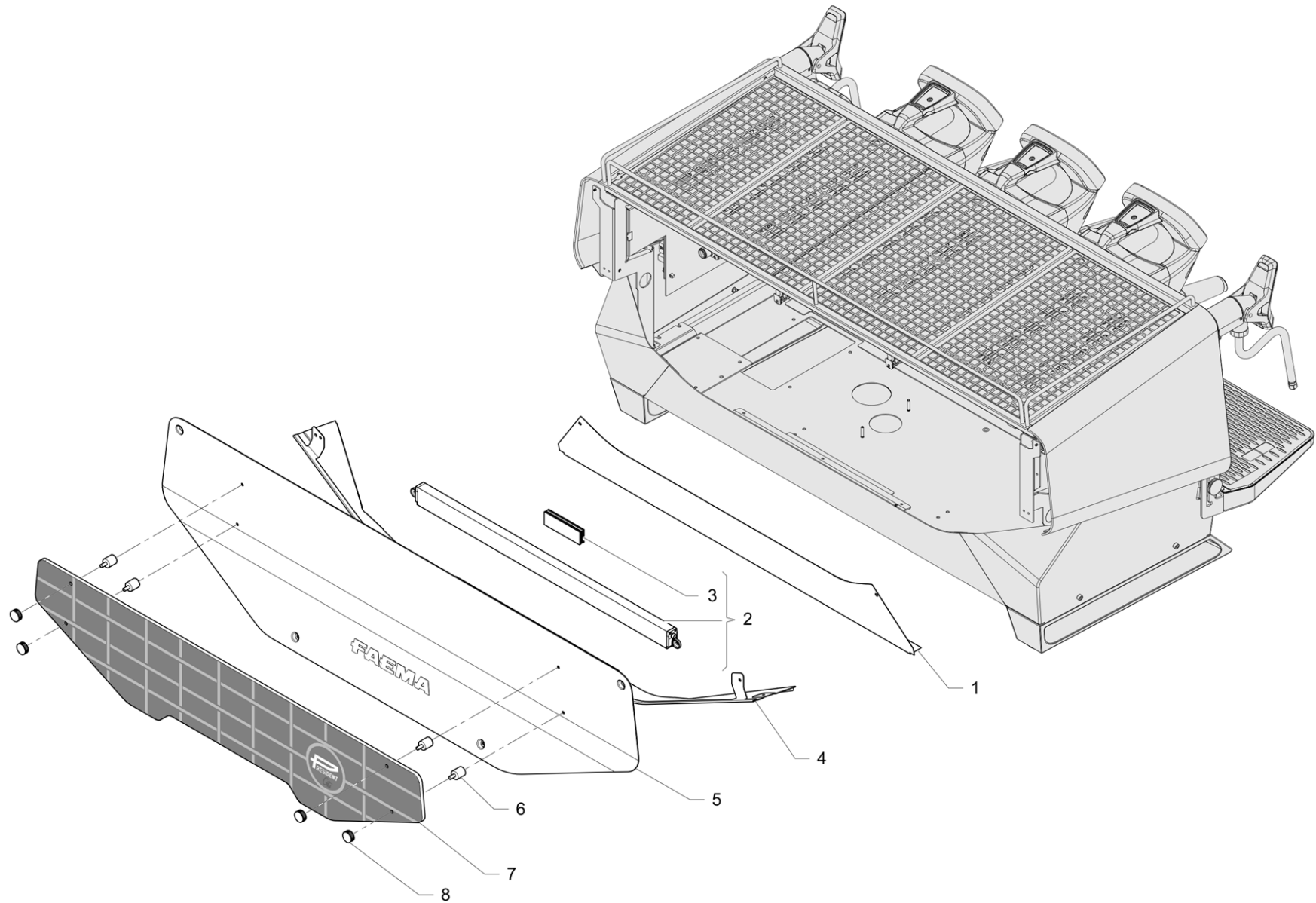
➔ BW-B01



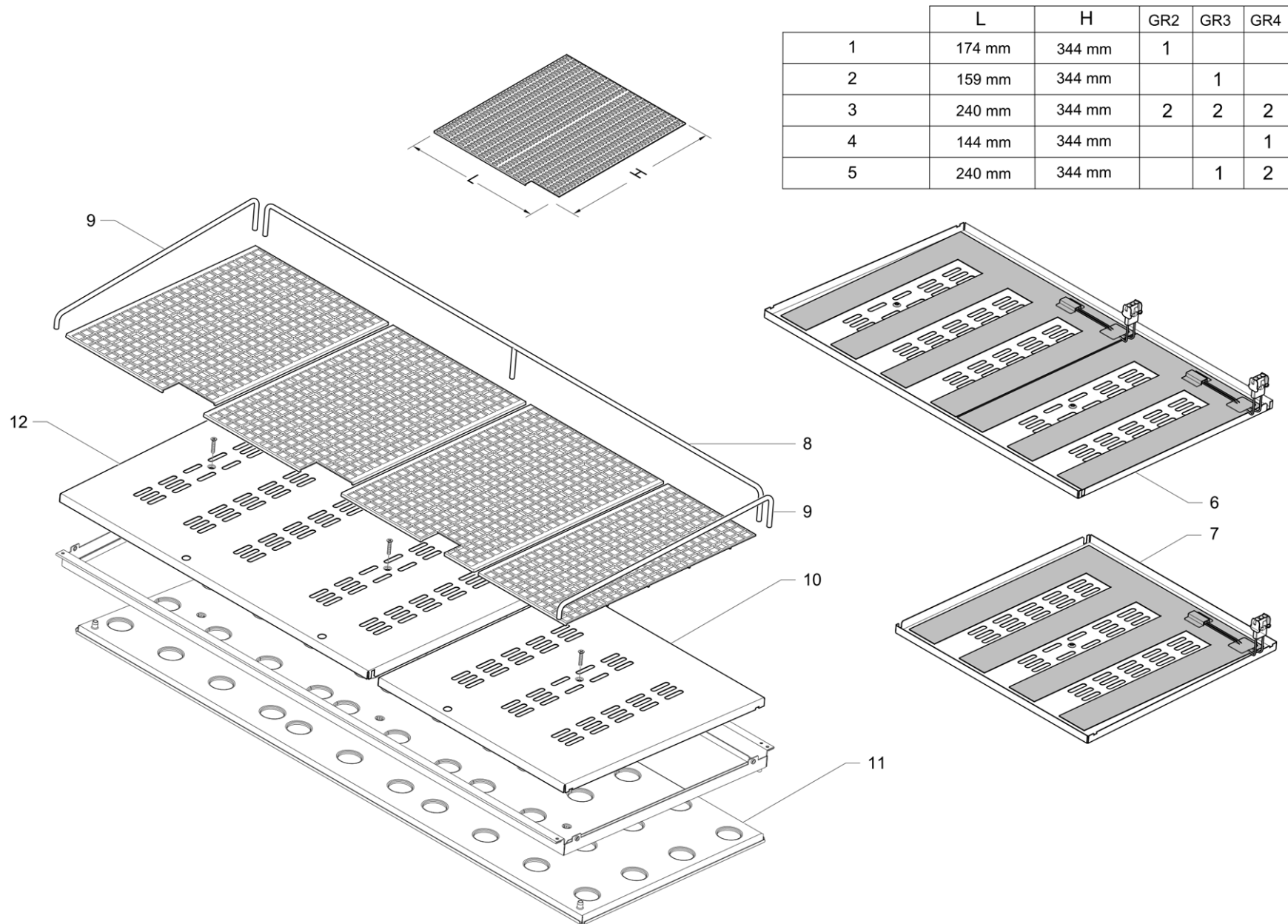
Pos	Part Number	Description	Validity	Notes
1	710269014	LOWER RH SIDE PANEL		
2	710199000	FOOT RUBBER WASHER NSF	N:NSF	
3	710198004	FOOT SPACER NSF	N:NSF	
4	710270014	LOWER LH SIDE PANEL		
5	537067700	PRESIDENT 2GR TRAY GASKET		
5	537067800	PRESIDENT 3GR TRAY GASKET		
5	537067900	PRESIDENT 4GR TRAY GASKET		



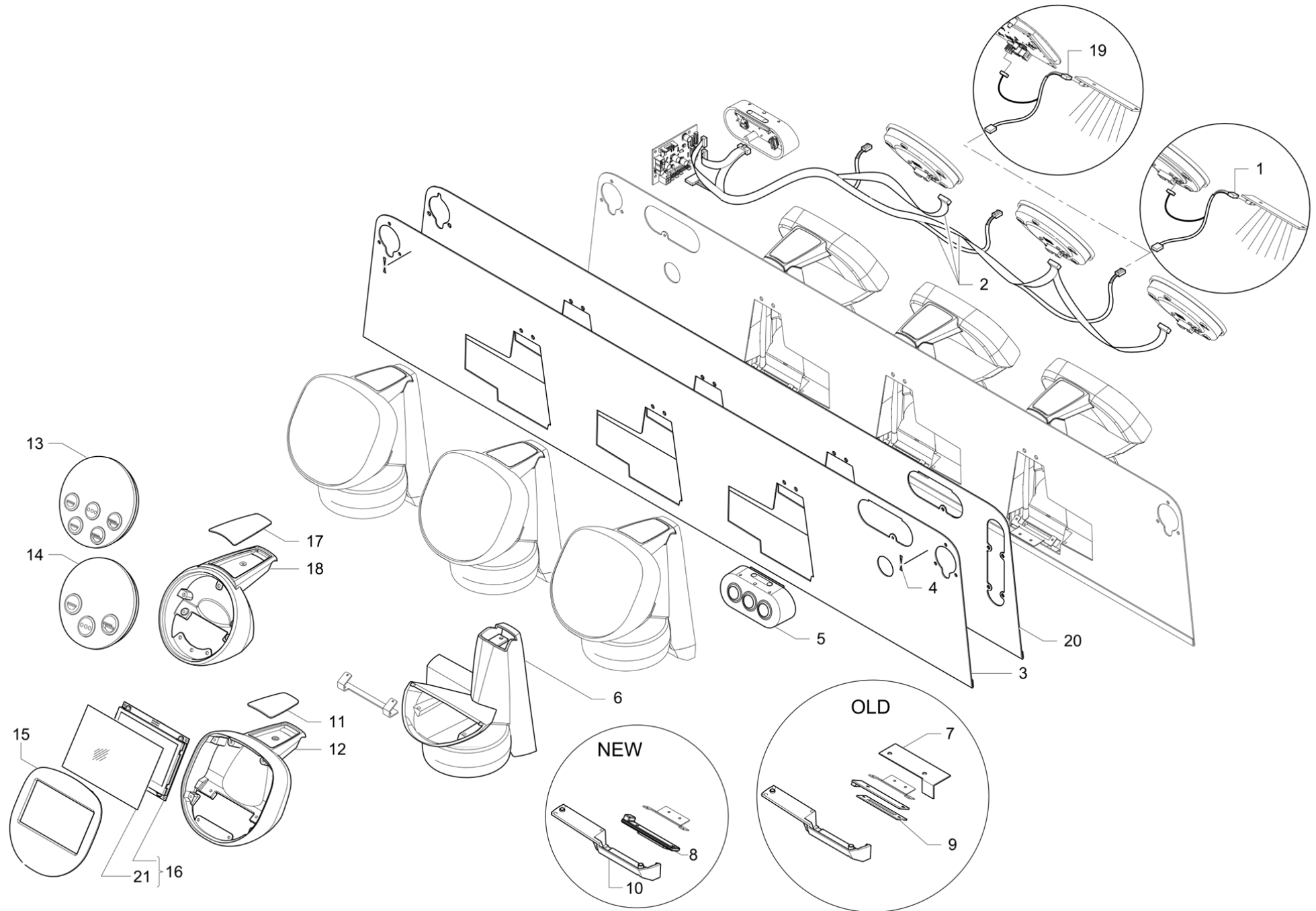
Pos	Part Number	Description	Validity	Notes
1	710027010	LOWER REAR PANEL FASTENER 2GR		
	⇔ 710027000	LOWER REAR PANEL CLOSURE 2GR		
1	710028000	LOWER REAR PANEL CLOSURE 3GR		
1	710029000	LOWER REAR PANEL CLOSURE 4GR		
2	710135010	2GR REAR PANEL		
2	710136010	3GR REAR PANEL		
2	710137010	4GR REAR PANEL		
3	710228000	STICKER - PRESIDENT		



Pos	Part Number	Description	Validity	Notes
1	710132014	PERSONALISABLE REAR PANEL 2GR		
1	710133024	CUSTOMISED REAR PLATE 3GR		
1	710134024	CUSTOMISED REAR PLATE 4GR		
2	537065900	LED BAR PRESIDENT A2		
2	537066000	LED BAR PRESIDENT A3		
2	537066100	LED BAR PRESIDENT A4		
3	943153000	DUAL LOCK FOR WI-FI BOX		
4	710027010	LOWER REAR PANEL FASTENER 2GR		
	≅ 710027000	LOWER REAR PANEL CLOSURE 2GR		
4	710028000	LOWER REAR PANEL CLOSURE 3GR		
4	710029000	LOWER REAR PANEL CLOSURE 4GR		
4	710138000	LOWER REAR PANEL 2GR WITH LIGHT		
4	710143000	LOWER REAR PANEL 3GR WITH LIGHT		
4	710142000	LOWER REAR PANEL 4GR WITH LIGHT		
5	710016010	REAR PANEL 2 GR		
5	710017010	REAR PANEL 3 GR		
5	710018020	REAR PANEL 4 GR		
6	710179000	REAR PANEL SPACER		
7	710276000	PANEL PRESIDENT GRID GREEN 2GR		
7	710277000	PANEL PRESIDENT GRID GREEN 3/4GR		
7	710279000	PANEL PRESIDENT GRID BLACK 3/4GR	M:JP,N:KTL	
7	710278000	PANEL PRESIDENT GRID BLACK 2GR	M:JP,N:KTL	
8	710178000	PANEL HANDLE INOX		



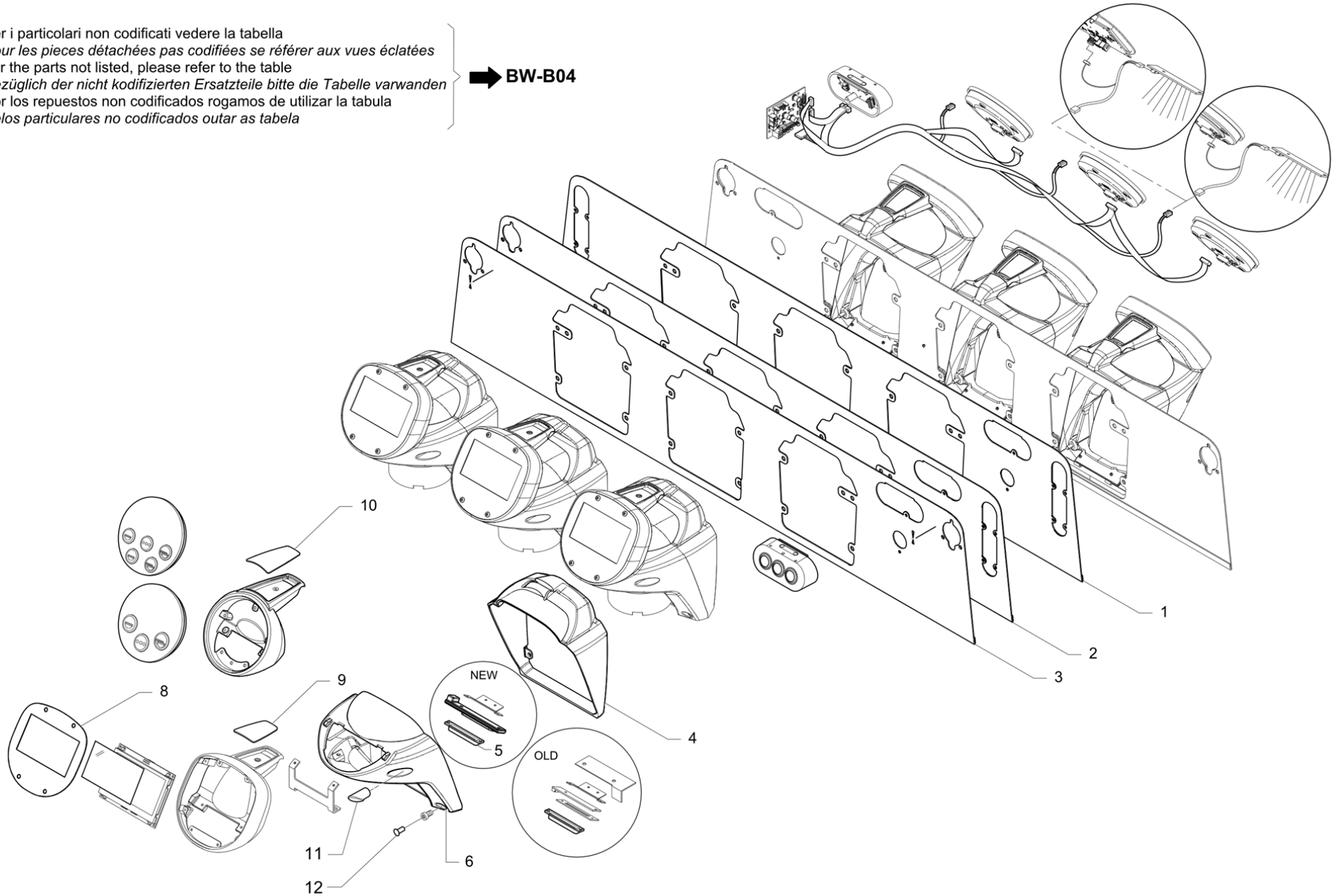
Pos	Part Number	Description	Validity	Notes
1	710212000	CUP-WARMER GRILLE 344x174 2GR		
2	710213000	CUP-WARMER GRILLE 344x159 3GR		
3	710256000	CUP-WARMER GRILLE 344x240		
4	710211000	CUP-WARMER GRILLE 344x143.6 4GR		
5	710259000	CUP-WARMER GRILLE 344x240		
6	710561000	LH CUP-WARMER PLATE 2 GR		
6	710560000	LH CUP-WARMER PLATE 3 GR		
6	710559000	LH CUP-WARMER PLATE 4 GR		
7	710562000	RH CUP-WARMER PLATE		
8	710144000	REAR RETAINER PANEL 2GR		
8	710050010	REAR RETAINER PANEL 3GR		
8	710145000	REAR RETAINER PANEL 4GR		
9	710047010	RH RETAINER PANEL		
10	710038030	RH CUP-WARMER PLATE		
	⇒ 710038010	RH CUP-WARMER PLATE		
11	710042000	CUP-WARMER COUNTER-PLATE NSF 2GR	N:NSF	
11	710043000	CUP-WARMER COUNTER-PLATE NSF 3GR	N:NSF	
11	710044000	CUP-WARMER COUNTER-PLATE NSF 4GR	N:NSF	
11	710055000	CUP-WARMER BASE 2GR	N:NSF	
11	710053000	CUP-WARMER BASE 3GR	N:NSF	
12	710039030	LH CUP-WARMER PLATE 2 GR		
	⇒ 710039010	LH CUP-WARMER PLATE 2GR		
12	710040030	LH CUP-WARMER PLATE 3 GR		
	⇒ 710040010	LH CUP-WARMER PLATE 3GR		
12	710041030	LH CUP-WARMER PLATE 4 GR		
	⇒ 710041010	LH CUP-WARMER PLATE 4GR		



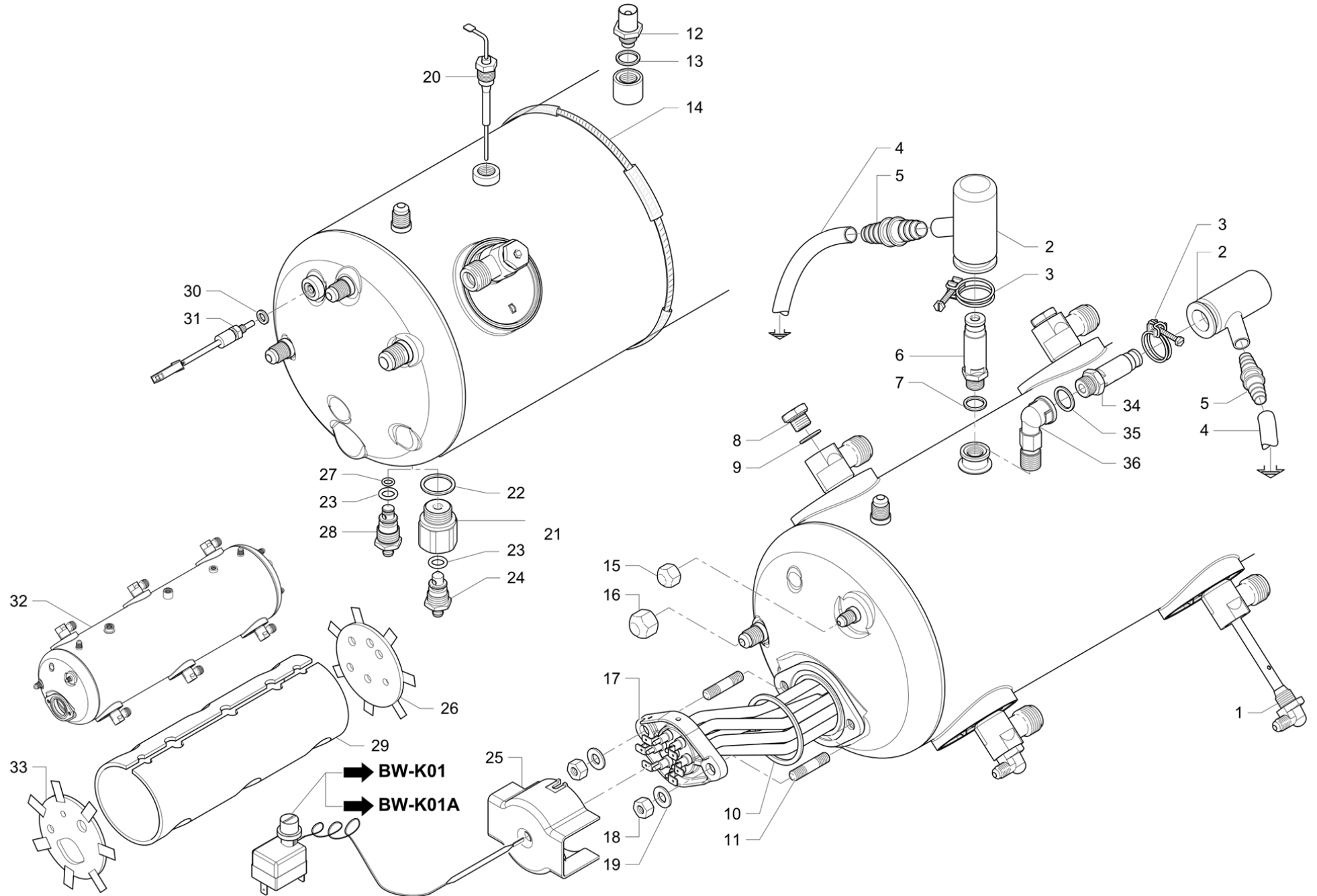
Pos	Part Number	Description	Validity	Notes
1	535997000	WIRING ADD LED BUTTONS		
2	536257000	DISPLAY LIGHT WIRING 4GR		
2	536256000	DISPLAY LIGHT WIRING 2GR		
2	536255000	DISPLAY LIGHT WIRING 3GR		
3	710154040	UPPER GROUP PARTITION 2GR		
	⇒ 710154000	UPPER SLUICE-VALVE 2GR		
3	710153040	UPPER GROUP PARTITION 3GR		
	⇒ 710153000	UPPER SLUICE-VALVE 3GR		
3	710155030	UPPER GROUP PARTITION 4GR		
	⇒ 710155000	UPPER SLUICE-VALVE 4GR		
4	710235000	STICKER - STEAM TAP		
5	710715030	WATER BUTTON PAD		
	⇒ 710715020	WATER BUTTON PAD		
6	710781000	DISPLAY CASING		
7	710302000	PRESIDENT PROTECTION LIGHT BOARD		
8	538048010	LED BOARD WITH MOULDED GLASS FOR GR.		
	⇒ 538048000	LED CARD FOR GROUP		
9	983298000	GROUP LIGHT PROTECTION GLASS E71		
10	710149007	LOWER CASING CLOSURE		
11	710518000	TOUCH SCREEN ESCUTCHEON		
12	710003027	UPPER GROUP-COVER TOUCH SCREEN		
	⇒ 710003017	UPPER GROUP-COVER		
13	710783000	5-BUTTON CHROME-PLATED DISPLAY		
14	710710000	3-BUTTON CHROME-PLATED DISPLAY		
15	710517000	TOUCH SCREEN FRONT CLOSURE		
16	710996000	ASS. DISPLAY IPS C/VETRINO PRESIDENT RIC		
17	983561000	E71E FACING		
18	983397007	E71E CHROME-PLATED UPPER GROUP COVER		
19	536227000	WIRING ADD LED TOUCH		
20	710222050	UPPER PARTITION AS 2GR		
	⇒ 710222030	RH UPPER PARTITION AS 2GR		
20	710224050	UPPER PARTITION AS 3GR		
	⇒ 710224030	RH UPPER PARTITION AS 3GR		
20	710253040	UPPER PARTITION AS 4GR		
	⇒ 710253030	RH UPPER PARTITION AS 4GR		
21	710273000	FAEMA DISPLAY WINDOW		

Per i particolari non codificati vedere la tabella
 Pour les pièces détachées pas codifiées se référer aux vues éclatées
 For the parts not listed, please refer to the table
 Bezüglich der nicht kodifizierten Ersatzteile bitte die Tabelle verwenden
 Por los repuestos no codificados rogamos de utilizar la tabula
 Pelos particulares no codificados outar as tabela

➔ **BW-B04**

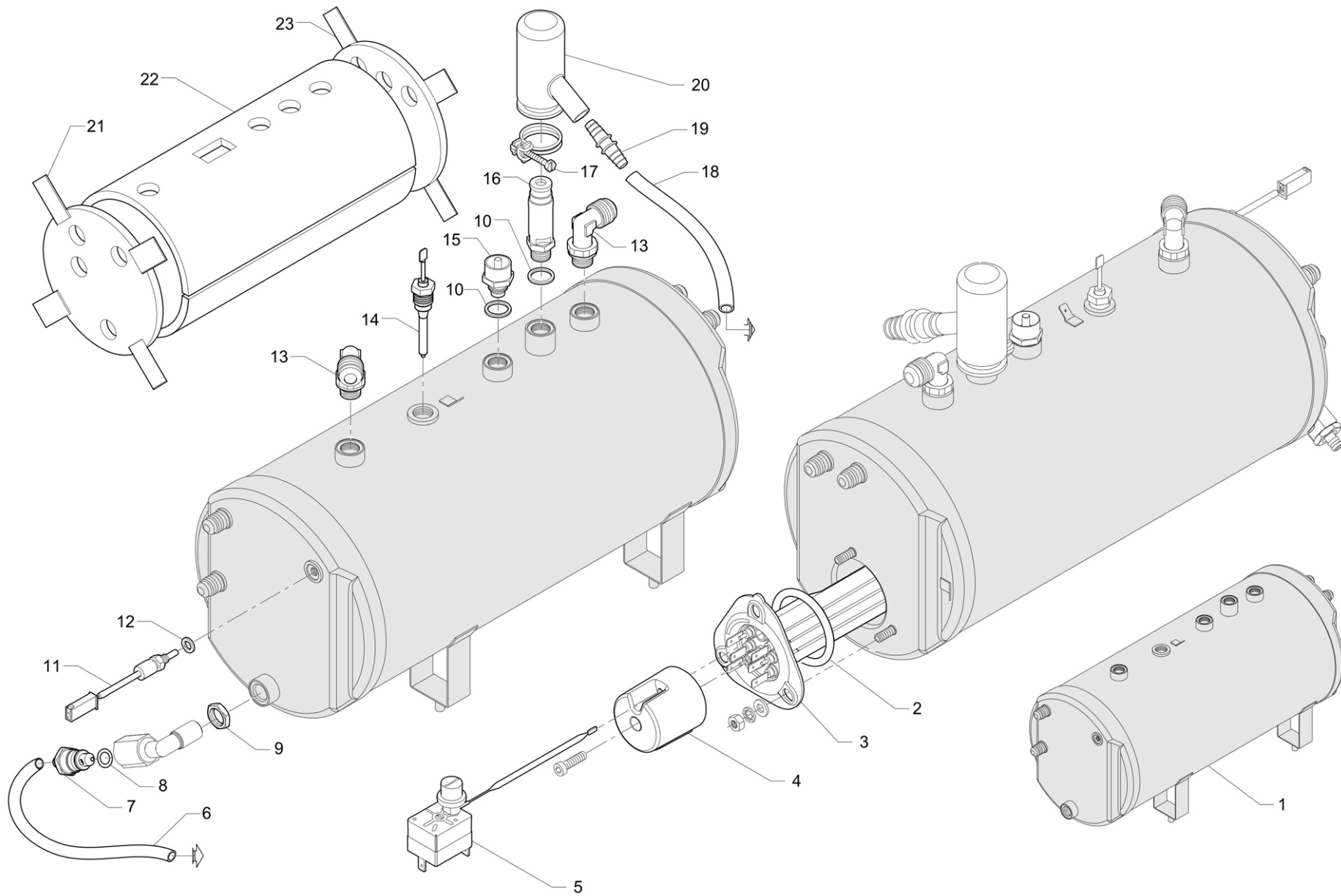


Pos	Part Number	Description	Validity	Notes
1	710208040	UPPER PARTITION GTI AUTOSTEAM 2GR		
	⇔ 710208030	UPPER PARTITION GTI AUTOSTEAM 2GR		
1	710209040	UPPER PARTITION GTI AUTOSTEAM 3GR		
	⇔ 710209030	UPPER PARTITION GTI AUTOSTEAM 3GR		
1	710210030	UPPER PARTITION GTI AUTOSTEAM 4GR		
2	710234050	UPPER PARTITION GTI AS 2GR		
	⇔ 710234030	RH UPPER PARTITION GTI AS 2GR		
2	710218050	UPPER PARTITION GTI AS 3GR		
	⇔ 710218030	RH UPPER PARTITION GTI AS 3GR		
2	710233040	UPPER PARTITION GTI AS 4GR		
	⇔ 710233030	RH UPPER PARTITION GTI AS 4GR		
3	710015020	UPPER PARTITION GTI 4GR		
	⇔ 710015010	UPPER PARTITION GTI 4GR		
3	710014030	UPPER PARTITION GTI 3GR		
	⇔ 710014010	UPPER PARTITION GTI 3GR		
3	710013030	UPPER PARTITION GTI 2GR		
	⇔ 710013010	UPPER PARTITION GTI 2GR		
4	710001017	GROUP-COVER CASING ADAPTER		
5	983159000	GROUP LIGHT GLASS		
6	983394007	E71E CHROME LOWER GROUP COVER		
8	710605020	FAEMINA GLOSSY STAINLESS STEEL GROUP-COV		
	⇔ 710605000	STAINLESS STEEL GROUP-COVER PRESIDENT T		
9	710518004	TOUCH FACING	C:WD	
10	983388000	WOOD FACING E71E	C:WD	
10	983561004	PRESIDENT WOODEN BUTTON PANEL, NSF	C:WD,N:NSI	
11	927124000	PLUG	N:NSF	
12	947123000	CAP FOR ALLEN SCREW M5	N:NSF	

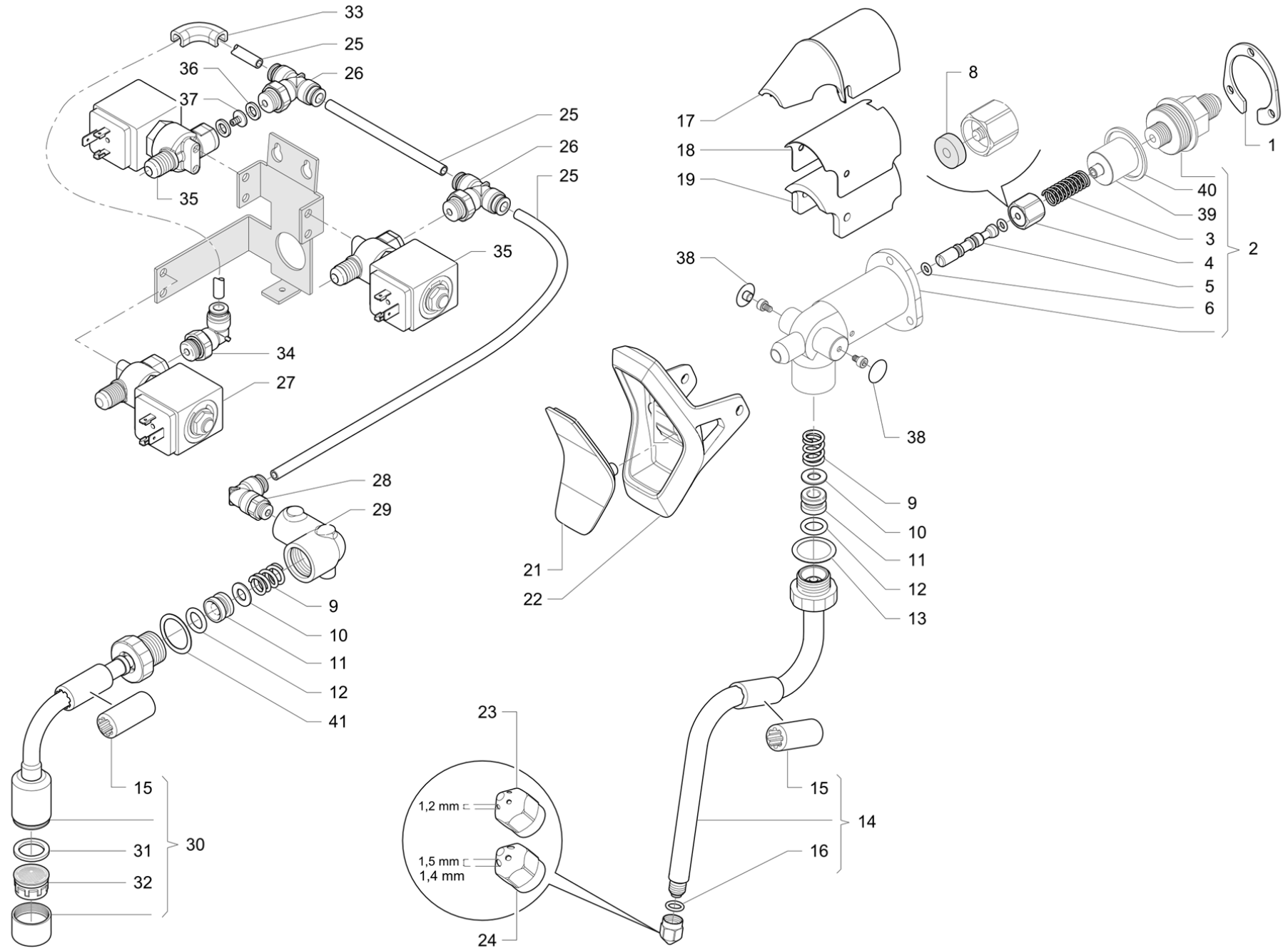


Pos	Part Number	Description	Validity	Notes
1	911596010	INJECTOR		
	⇒ 911596000	INJECTOR		
2	966492000	SAFETY VALVE PROTECTION		
3	532746200	CABLE TIE-RAPS WITH SCREW		
4	220000017	SILICONE PIPE D 10X15		
5	532601000	HOSE ADAPTOR		
6	532392500	SAFETY VALVE 1,9 1/4G		
7	402302000	GASKET 17X13,2X1X5		
8	594537010	BLIND NIPPLE 1/4 GAS ST. STEEL		
9	401214000	GASKET		
10	401194010	GASKET BOILER FLANGE		
11	503308250	S.S. M8X25 BOLD		
12	418941020	AS.VALVOLA ANTIRISUCCHIO		
	⇒ 418941010	ANTI-UNDERTOW VALVE ASS.		
13	401250010	GASKET § 17,9X14,2X1,5		
14	532715310	STAINLESS STEEL CLAMP 730x7.96x0.28MM		
15	593060020	PLUG NUT 1/8"		
16	593059020	PLUG NUT 1/4"		
17	950571000F	RESISTOR 220-240V 3780-4500W		
17	927597020	220V 5400W RESISTANCE L626mm		
17	911544028	220-240V 3570-4500W RESISTANCE W/ RUVECO	N:NSF	
17	927597028	220V 5400W RESISTANCE W/RUVECO	N:NSF	
18	4031131467	M8 RESISTANCE FASTENING NUT		
19	4054043103	WASHER		
20	915789000	COMPLETE LEVEL PROBE 108MM		
21	419948000	BOILER DRAIN ASS. - STRAIGHT 1/2		
22	401216000	COPPER GASKET		
23	402220000	O-RING 9,13X2,62		
24	419077010	DRAIN TAP DISC		
25	929173010	RESISTOR PROTECTION		
26	970064000	FAEMA LEFT BOTTOM INSULATION		
27	530501200	OR 2025		
28	950163010F	DRAIN TAP CUT-OFF		
	⇒ 950163000F	TAP VALVE		
29	970065010	INSULATED BOILER PLATING 2GR		
29	970066010	INSULATED BOILER PLATING 3GR		
29	970067000	INSULATED BOILER PLATING 4GR FAEMA		
30	401235020	GASKET 11X6,5X1,5		
31	531194810	COFFEE BOILER PROBE		
32	537068500	CALDAIA 2 GR C/IMB.	N:NSF	
32	537068600	CALDAIA 3 GR C/IMB.	N:NSF	
32	537068700	CALDAIA 4 GR C.IMB.		
33	970063000	FAEMA RIGHT BOTTOM INSULATION		
34	532392600	SAFETY VALVE 1,9 bar 3/8G		

Pos	Part Number	Description	Validity	Notes
35	401183010	GASKET 22X17X1,5 INLET VALVE		
36	492298005F	SAFETY VALVE		
	⇔ 492298018	ELBOW FITTING VALVE 3/8F -3/8M RUVECO		

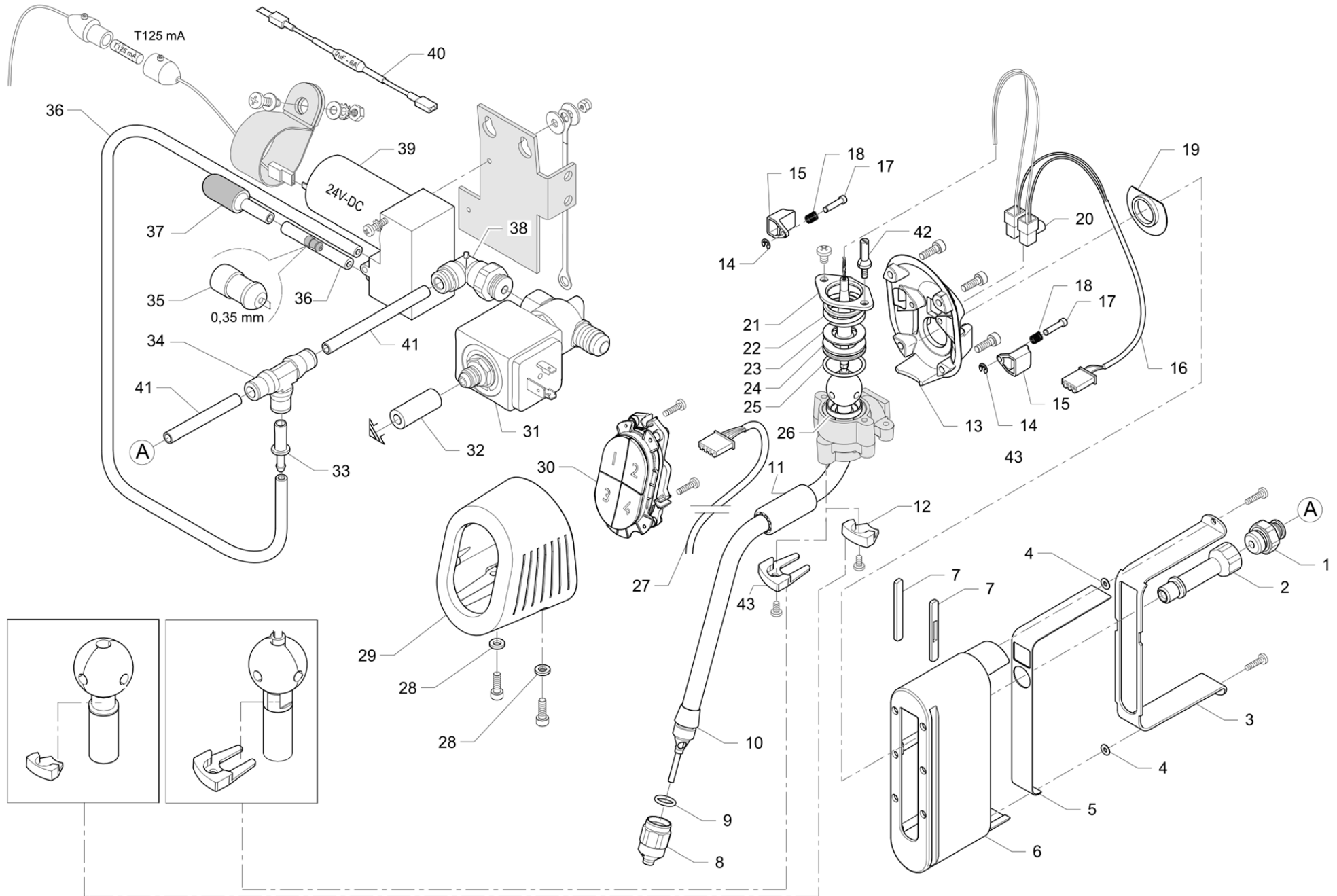


Pos	Part Number	Description	Validity	Notes
1	983572000F	E71 TESTED NEW 7 LITERS BOILER ASSEMBLY		
2	402277000	OR 46.99 X 5.33 VITON (550600710)		
3	983570000F	230 V 3600 W ELECTRIC RESISTOR		
4	956160010	BOILER RESISTOR GUARD		
5	531194720	SFTY. THERMOSTAT		
6	220000016	SILICONE PIPE D 6X10		
7	419077010	DRAIN TAP DISC		
8	402220000	O-RING 9,13X2,62		
9	590128010	COUNTER NUT 1/4		
10	401250010	GASKET § 17,9X14,2X1,5		
11	531194810	COFFEE BOILER PROBE		
12	401235020	GASKET 11X6,5X1,5		
13	532404020F	ELBOW CONNECTOR 1/4		
	⇒ 532404010F	ELBOW CONNECTOR 1/4		
14	959714000	COMPLETE LEVEL PROBE		
15	418941020	AS.VALVOLA ANTIRISUCCHIO		
	⇒ 418941010	ANTI-UNDERTOW VALVE ASS.		
16	532392500	SAFETY VALVE 1,9 1/4G		
17	532746200	CABLE TIE-RAPS WITH SCREW		
18	220000017	SILICONE PIPE D 10X15		
19	532601000	HOSE ADAPTOR		
20	966492000	SAFETY VALVE PROTECTION		
21	983188020	LH BOILER INSULATION E71		
22	983186030	BOILER INSULATION		
23	983187030	RH BOILER INSULATION		
	⇒ 983187020	RH BOILER INSULATION E71		



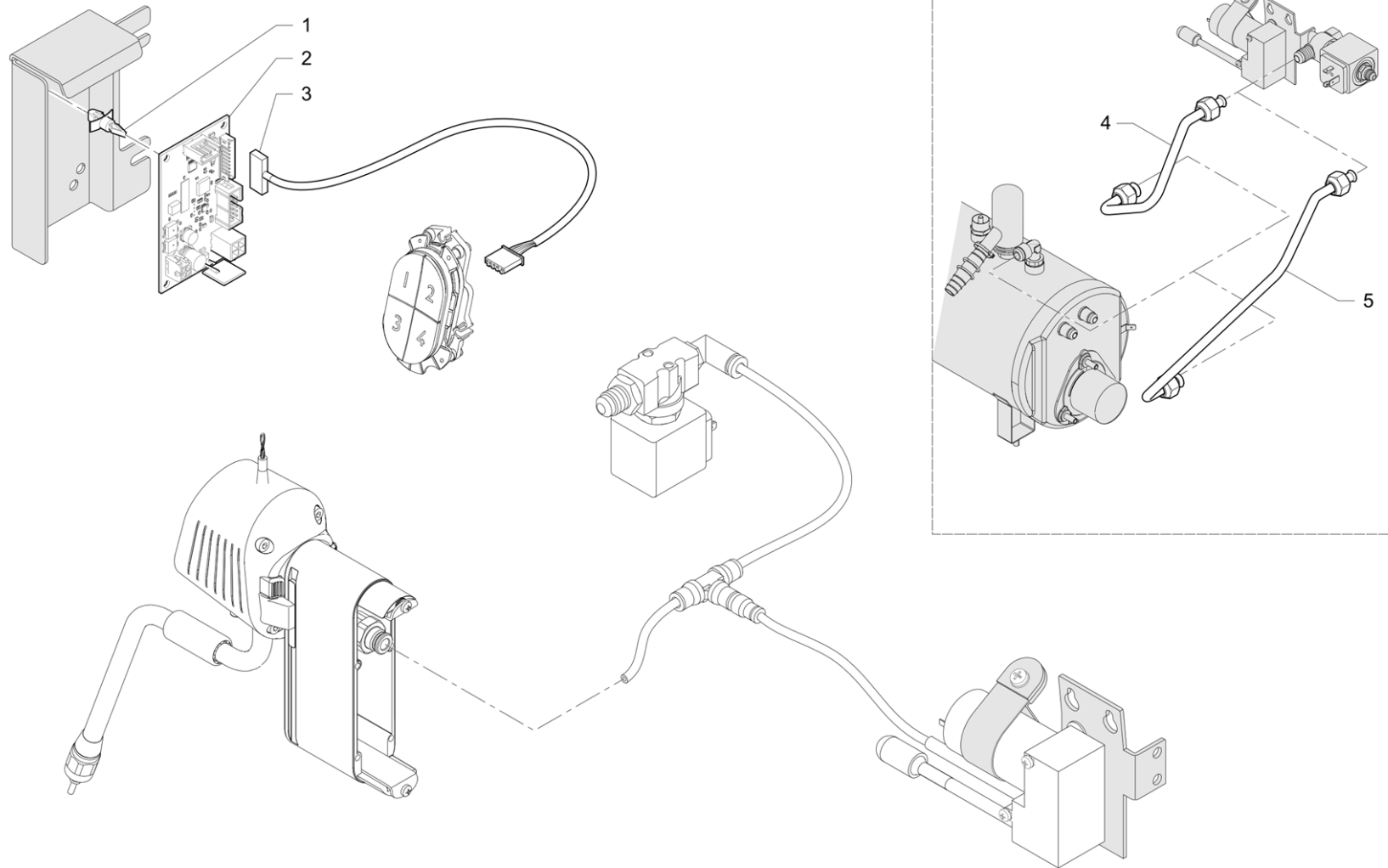
Pos	Part Number	Description	Validity	Notes
1	710257000	TAP INSULATION		
2	710844030F	ASS. RUBINETTO NO PURGE PRESIDENT		
	⇒ 710772020F	COMPLETE TAP WITHOUT "PURGE"		
3	4731030495	SPRING		
4	903995020	WATER/STEAM VALVE		
	⇒ 903995010	WATER AND STEAM VALVE		
5	983203010F	LEG FOR TAP VALVE, STAINLESS STEEL		
6	402196010	GUARNIZIONE OR 4,20 X 1,90 NSF		
	⇒ 402196000	O-RING 4,20X1,90		
8	402221000F	SEALING GASKET 13x4x4 PEROX		
	⇒ 402205000	GASKET NF		
9	4731132350	SPRING STEAM WAND		
10	485336000F	FLAT WASHER		
11	4161132346	BUSH IN TEFLON		
12	402206000	GASKET		
13	4701116694	GASKET		
14	985609010	STEAM WAND		
	⇒ 985609000	STEAM WAND W/OUT BULB		
15	430119010	SLEEVE		
16	402223010	GASKET, OR 7.65X1.78 TS PROBE		
	⇒ 402223000	O-RING 7,65X1,78 TS PROBE		
17	710258000	TAP CASING		
18	710195004	PAINTED TAP GUARD		
	⇒ 710195010	TAP CASING		
19	710196000	TAP INSULATION		
21	710525000	STEAM LEVER COVER		
21	710525004	STEAM LEVER FACING WOOD	C:WD	
22	710102030	STEAM LEVER		
	⇒ 710102000	STEAM LEVER PRESIDENT		
23	983219000F	STEAM BULB E71 - diam.1.2		
23	983309000F	STEAM BULB E71 DIAM 1.2 NSF	N:NSF	
24	983214000F	STEAM BULB E71 - diam.1.5		
24	710340000F	PEEK STEAM BULB 3X1.4		
25	220000022	RISLAN PIPE 4X6		
26	532657200	CONNECTOR 1/4		
27	533903110F	SOLENOID VALVE 2/2 - #5 mm 1/4 M/F FKM C		
	⇒ 533903100F	SOLENOID VALVE 2/2 5mm 1/4 M/F		
27	533903510F	SOLENOID VALVE 2/2 - #5mm 1/4 M/F FKM PA	N:UL	
	⇒ 533903500F	SOLENOID VALVE 2/2	N:UL	
27	533906900F	SOLENOID VALVE 2/2 Ø 5 1/4	T:24Vcc	
28	532656000	G1/8 M RUBB.CONN.		
29	710296005F	WATER TAP BODY		
30	710789020F	STAINLESS STEEL ANTI-ROTATION WAND FORM.		

Pos	Part Number	Description	Validity	Notes
	≡ 710789000F	STAINLESS STEEL ANTI-ROTATION WAND		
31	402320000F	21X15X2 NSF SEAL		
32	532305000	FILTER		
33	966026000	TUBE BENDER		
34	532656100	G1/4 M RUBB.CONN.		
35	533903010F	SOLENOID VALVE 2/2 - #2.5mm 1/4 M/F FKM		
	≡ 533903000F	SOLENOID VALVE 1/4 M/F FKM		
35	533903410F	SOLENOID VALVE 2/2 - #2.5mm 1/4 M/F FKM N:UL		
	≡ 533903400F	SOLENOID VALVE 2/2	N:UL	
35	533906800F	SOLENOID VALVE 2/2 Ø 2.5 1/4	T:24Vcc	
36	401235020	GASKET 11X6,5X1,5		
37	710263000F	NOZZLE diam 0.8		
37	710309000F	NOZZLE DIAM. 0/6 mm NSF		
38	532793000	ALLEN SCREW CAP M4	N:NSF	
39	710319000F	FILLER SPACER		
40	710104000F	PTFE TAP CLOSURE GASKET		
41	400335010	GASKET 21X24,5X1,5		



Pos	Part Number	Description	Validity	Notes
1	532662500F	1/4G D6 STRAIGHT CONNECTOR		
2	710171010F	AUTOSTEAM CONNECTOR EXTENSION		
3	710169031	MOBILE AUTOSTEAM GUIDE BRACKET		
4	947138000	NYLON WASHER		
5	710193010	MOBILE AUTOSTEAM CLOSURE		
6	710168017	AUTOSTEAM SLIDING GUIDE		
7	710172010	AUTOSTEAM GUIDE		
8	485339000F	BULB FOR WAND WITH SENSOR		
8	485352000F	BULB FOR WAND WITH SENSOR DIAM1		
8	710305000F	NSF BULB FOR WAND WITH SENSOR	N:NSF	
9	402217000	GASKET 8,73X1,78 NF		
10	710656000F	STEAM WAND WITH SHORT SENSOR		
	⇒ 710608000F	SHORT STEAM WAND W/SENSOR P293 - PRESIDE		
11	430119010	SLEEVE		
12	710291000	WAND RETAINER AS		
13	710167017	AUTOSTEAM BUTTON PAD CASING CLOSURE		
14	568223000	RING SICURITY		
15	710173010	AUTOSTEAM RELEASE BUTTON		
16	431570010	SHIELDED CABLE		
17	710170000	AUTOSTEAM LOCKING PIN P293		
18	710152000	RETURN SPRING		
19	710292000	TILTING RETAINER		
20	532149500	TERMINAL		
21	485344000	JOINT CLOSURE		
22	485343000	JOINT SPRING		
23	485342000	WASHER FOR JOINT		
24	485341000F	UPPER JOINT SEAT		
25	402332000F	VITON OR 20.35X1.78		
26	485340000F	LOWER JOINT SEAT		
27	536222000	Turbosteam cable RH		
28	401196010	GASKET 8,5X4,5X1,5		
29	710166007	AUTOSTEAM BUTTON PAD CASING		
30	710555000	AUTOSTEAM BUTTON PAD		
31	533903210F	SOLENOID VALVE 3/2 - #3mm 1/4 M/F FKM PA		
	⇒ 533903200F	SOLENOID VALVE 3/2 3mm 1/4 M/F		
31	533903610F	SOLENOID VALVE 3/2 - #3mm 1/4 M/F FKM PA	N:UL	
	⇒ 533903600F	SOLENOID VALVE 3/2	N:UL	
31	533907500F	SOLENOID VALVE 3/2 Ø 3mm 1/4	T:24Vcc	
32	220000016	SILICONE PIPE D 6X10		
33	934316000	§6 FAST UNION FOR PIPE 3X6		
34	532664400F	T-SHAPED CONNECTOR		
35	956136010	COMPRESSOR NOZZLE DIAM. 0.35		
36	220000013	SILICONE PIPE D 3X6		

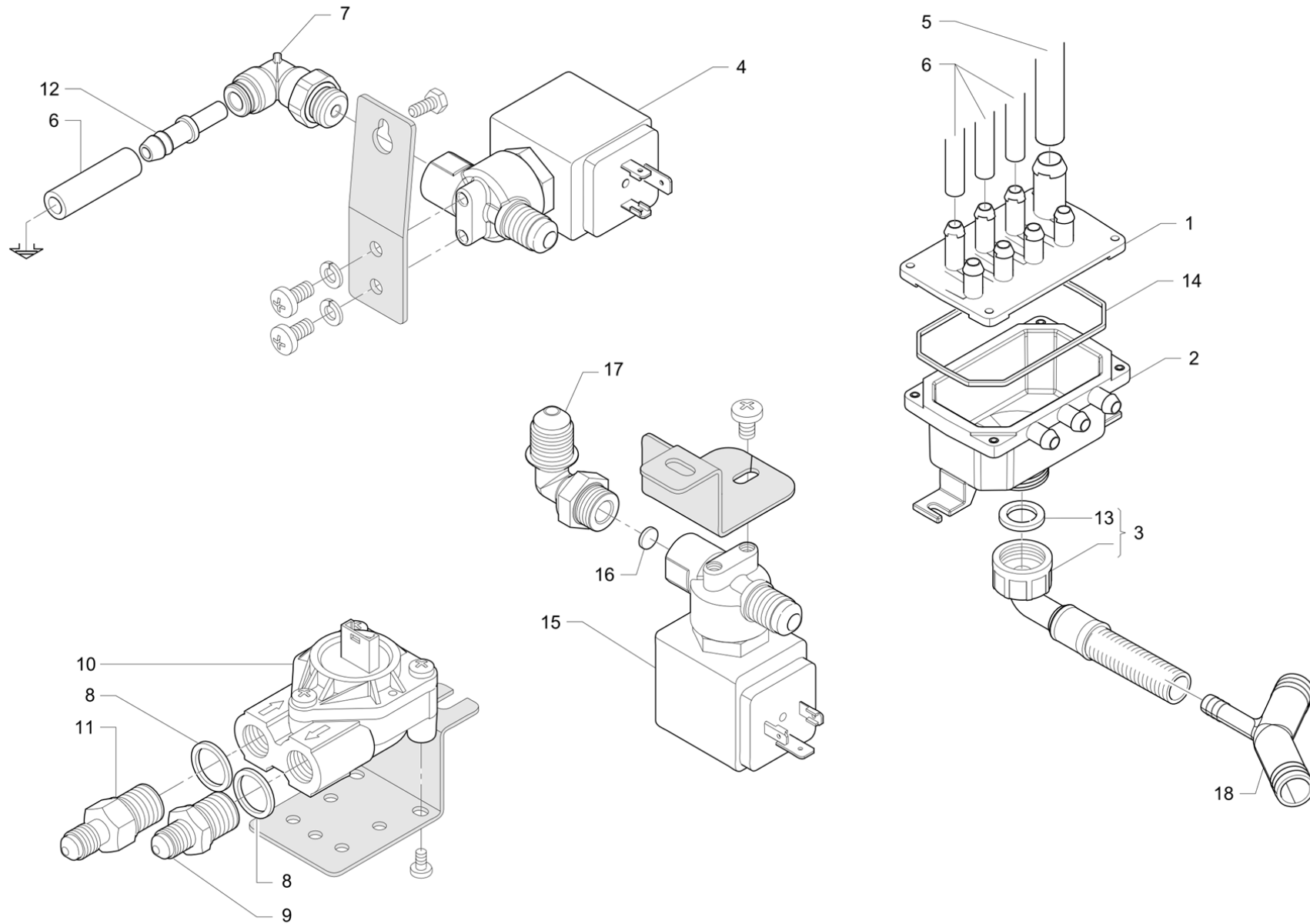
Pos	Part Number	Description	Validity	Notes
37	534600300	SILENCER		
38	532656100	G1/4 M RUBB.CONN.		
39	938897000	24 "TURBOSTEAM" COMPRESSOR		
40	535918000	AXIAL INDUCTANCE 7uF ? 6A		
41	220000022	RISLAN PIPE 4X6		
42	710351000	UPPER FIXING PIN		
43	710347010	WAND GUIDE FORK		



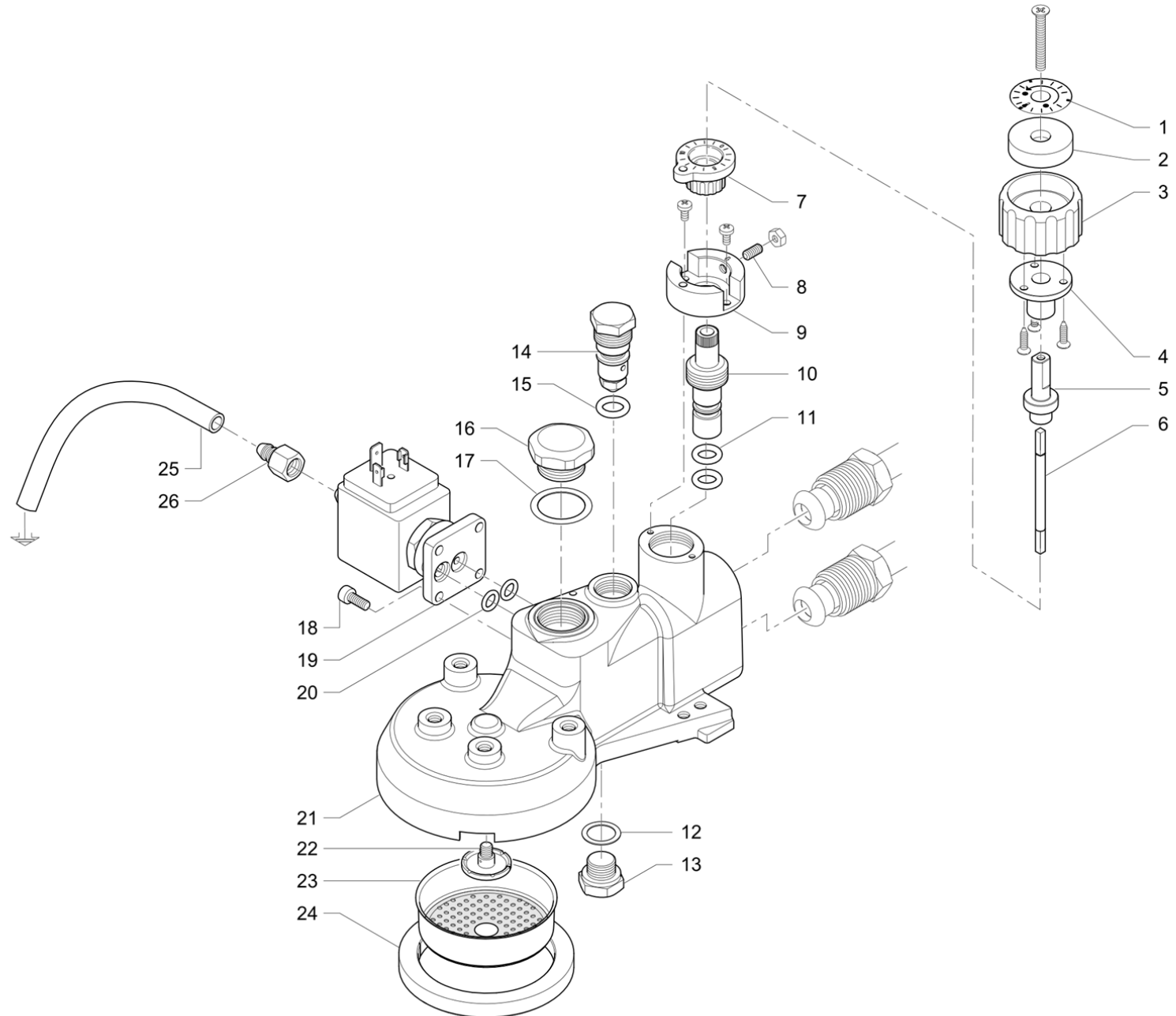
Per i particolari non codificati vedere la tabella
 Pour les pièces détachées pas codifiées se référer aux vues éclatées
 For the parts not listed, please refer to the table
 Bezüglich der nicht kodifizierten Ersatzteile bitte die Tabelle verwenden
 Por los repuestos no codificados rogamos de utilizar la tabula
 Pelos particulares no codificados outar as tabela

➔ **BW-D02**

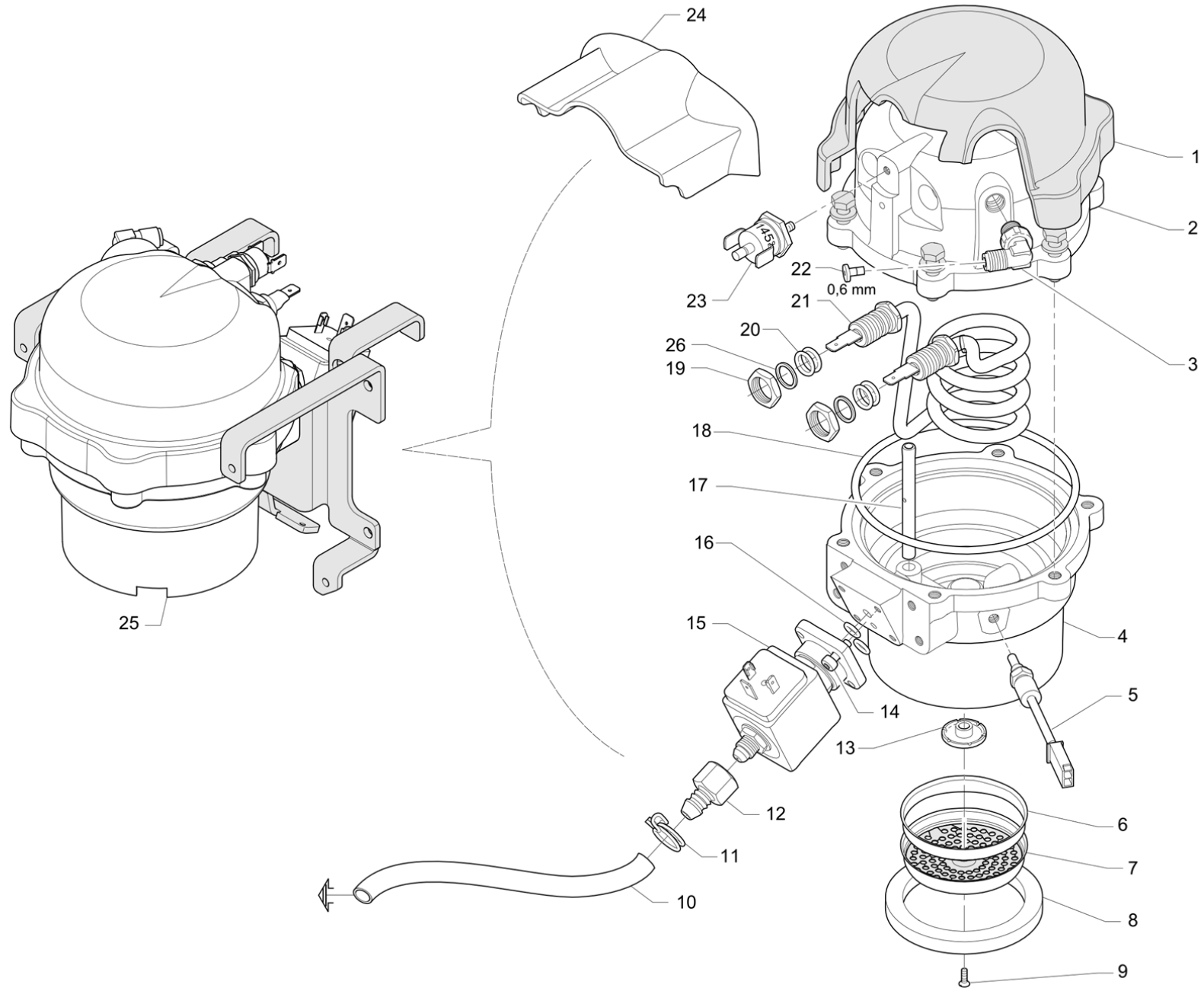
Pos	Part Number	Description	Validity	Notes
1	532729700	BOARD SUPPORT		
2	538144010	AC TURBOSTEAM		
2	538155000	Turbosteam DC	T:24Vcc	
3	536220000	Turbosteam LH cable		
3	536306010	LH CABLE TS	T:24Vcc	
4	710641000F	LH AUTOSTEAM TUBE PRESIDENT GTI 2GR		
5	710640000F	LH AUTOSTEAM TUBE PRESIDENT GTI		



Pos	Part Number	Description	Validity	Notes
1	710180000	DRAINAGE COLLECTION CAP		
2	710549000	DRAINAGE CONVEYOR		
3	532390600	DRAIN PIPE		
4	533903010F	SOLENOID VALVE 2/2 - #2.5mm 1/4 M/F FKM		
	⇌ 533903000F	SOLENOID VALVE 1/4 M/F FKM		
4	533903410F	SOLENOID VALVE 2/2 - #2.5mm 1/4 M/F FKM N:UL		
	⇌ 533903400F	SOLENOID VALVE 2/2	N:UL	
4	533906800F	SOLENOID VALVE 2/2 Ø 2.5 1/4	T:24Vcc	
5	220000017	SILICONE PIPE D 10X15		
6	220000016	SILICONE PIPE D 6X10		
7	532656100	G1/4 M RUBB.CONN.		
8	402329000F	COPPER GASKET 16 X 10 X 1.5		
9	958366000F	NIPPLE 1/8 X 1/8		
10	534393410F	VOLUMETRIC COUNTER		
	⇌ 534393400F	VOLUMETRIC COUNTER		
11	958365000F	NIPPLE 1/8 X 1/8" H=10.		
12	934168010	HOSE ADAPTOR FOR QUICK CONNECTION		
13	532600600	GASKET		
14	710361000	GUARNIZIONE MONOADESIVA SP. 3mm		
15	533904210F	SOLENOID VALVE 2/2		
	⇌ 533904200F	EV 2/2		
16	481361000	FILTER WITH HOLDER 9X1.5 INOX		
17	532660830F	ELBOW CONNECTOR 1/4		
	⇌ 532660820F	ELBOW CONNECTOR 1/4		
18	710294000	Y DRAINAGE JOINT		



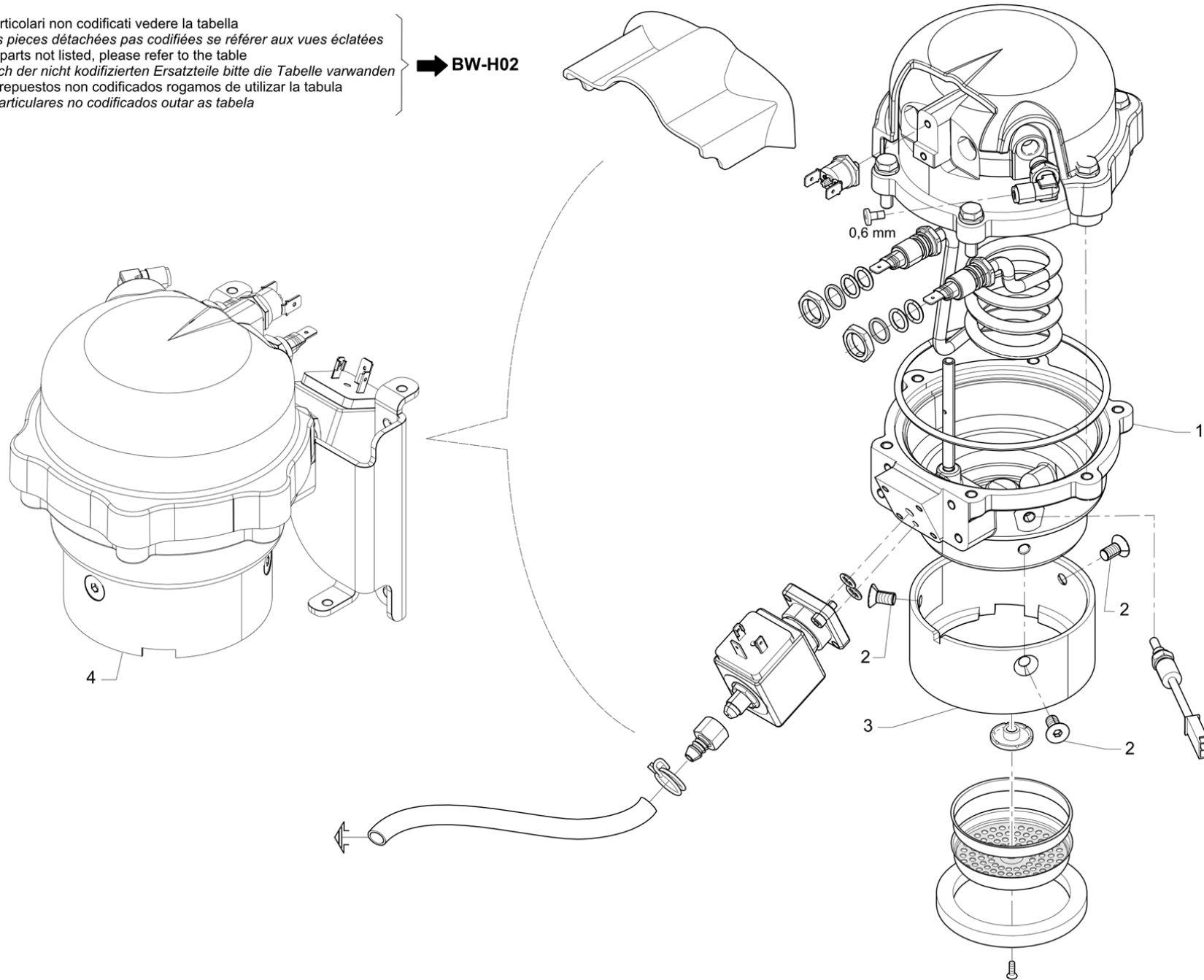
Pos	Part Number	Description	Validity	Notes
1	970182000	THERMAL KNOB LABEL		
2	929171000	BLACK KNOB STICKER		
3	929170000	THERMAL SYSTEM ADJUSTMENT KNOB - BLACK		
4	710201000	KNOB PIN		
5	710226000	THERMAL SYSTEM CONTROL CONNECTOR		
6	710203000	SHEATH		
7	970165010	MEASURING DISC FOR BREWING GROUP		
	⇌ 970165000	SCALED DISK FOR DISPENSER GROUP		
8	965022000	BALL PRESSURE		
9	970161000	ADJUSTMENT STOP DISK		
10	710204000F	THERMAL ADJUSTMENT SCREW		
11	402194000	O-RING 7.5X2.62 NF		
12	4701116692	GASKET		
13	457344000	PLUG		
14	922785000	GROUP NOZZLE 0,7 MM NF		
15	402335000F	FAEMA OR GROUP 8.9X2.7 NSF		
16	457343000	PLUG		
17	4701116694	GASKET		
18	511804120	S.S. M4X12 VTCE SCREW		
19	533902910F	SOLENOID VALVE		
	⇌ 533902900F	SOL.VALVE 3-WAY SMALL BASE 14.5 bar 24V		
19	533892300r		N:UL	
19	533896510R	3-WAY SOLENOID VALVE 24V	T:24Vcc	
20	530501200	OR 2025		
21	457431005F	DISPENSER GROUP WITH DISC		
	⇌ 457430008F	FAEMA DISPENSER GROUP W/ADJ W/RUV DISP D		
22	457342000	WATER DISTRIBUTER GROUP IN BRASS		
23	457560000	SHOWER GROUP		
23	3771119976	SHOWER DOUBLE		
24	402199010	GROUP GASKET		
25	220000016	SILICONE PIPE D 6X10		
26	937055010	1/8 RUBBER HOLDER CONNECTOR		



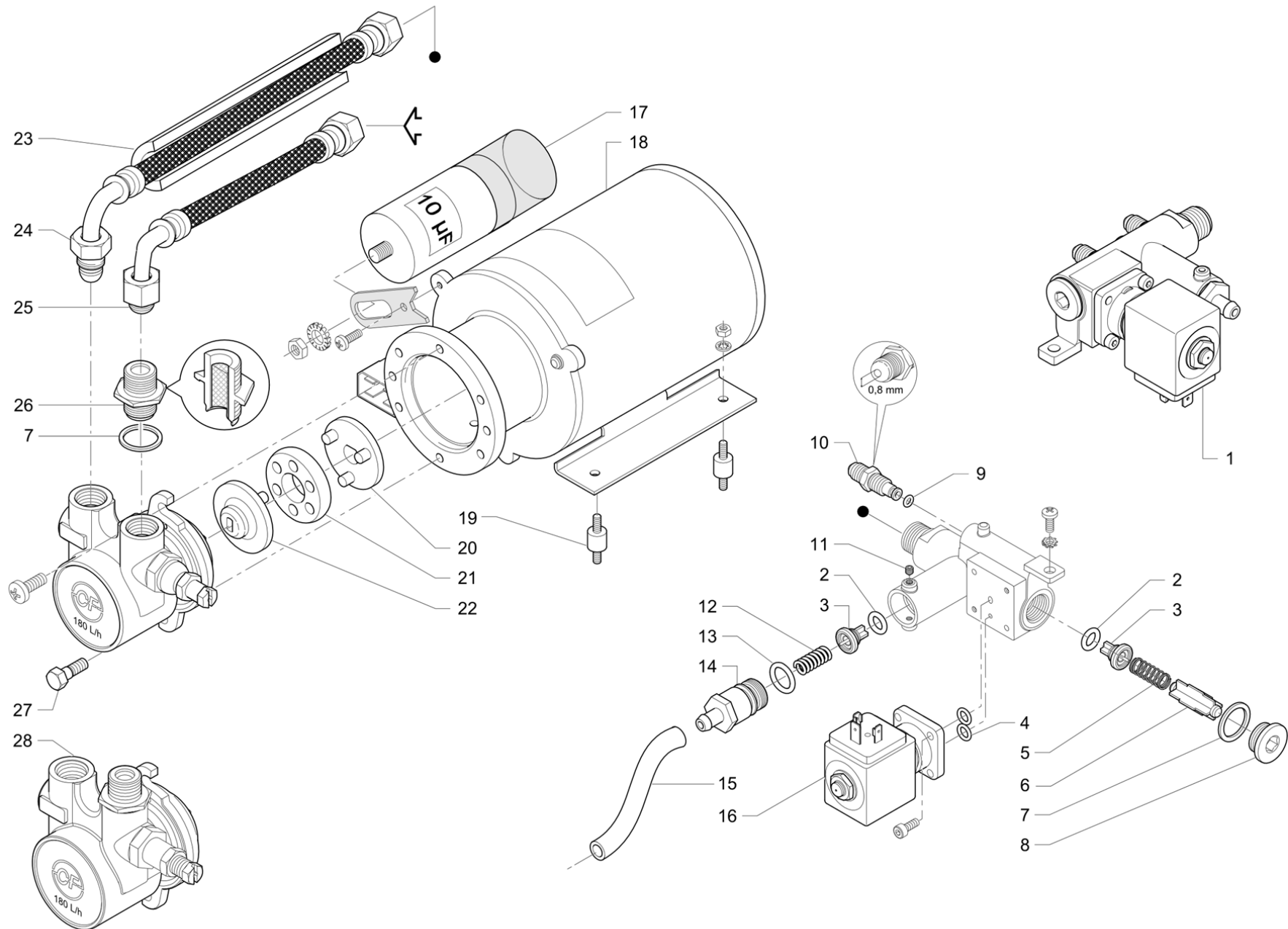
Pos	Part Number	Description	Validity	Notes
1	983232000	BOILER INSULATOR		
2	537056810	HIGH BOILER SEMIBODY		
3	532660740F	ADJUSTABLE 1/8 ELBOW CONNECTOR		
	⇒ 532660720F	ADJUSTABLE 1/8 ELBOW CONNECTOR		
4	979005005F	LOWER SEMI-BODY W/DISPENSER DISC CLB		
5	531194810	COFFEE BOILER PROBE		
6	983314000F	CONTAINMENT RING		
7	783060000F	SPRAYHEAD WITH REINFORCED MEMBRANE		
7	783060000F	SPRAYHEAD WITH REINFORCED MEMBRANE		
	⇒ 983560010F	SHOWER		
8	402199010	GROUP GASKET		
9	503605140	COUNTER-SUNK HEAD SCREW M5x14		
10	220000016	SILICONE PIPE D 6X10		
11	532742200	DOUBLE CABLE TIE-RAPS		
12	937055010	1/8 RUBBER HOLDER CONNECTOR		
13	983313010F	SPRAYER FOR STAINLESS STEEL GROUP BODY		
14	4001051934	SCREW M 4 X 10		
15	533902910F	SOLENOID VALVE		
	⇒ 533902900F	SOL.VALVE 3-WAY SMALL BASE 14.5 bar 24V		
15	533892310R	3-WAY SCEM SOLENOID VALVE R.24V 60HZ UL	N:UL	
	⇒ 533892300R	SOLENOID VALVE	N:UL	
15	533896510R	3-WAY SOLENOID VALVE 24V	T:24Vcc	
16	530501200	OR 2025		
17	955003010	PIPE		
18	401224000	BOILER GASKET		
18	402325010F	OR 101.19x3.53 NSF	N:NSF	
19	590128010	COUNTER NUT 1/4		
20	402333000F	OR 9.25X1.78 NSF		
21	537056500	RESISTOR 1300W 220		
21	537056600	1300W 220V RESISTOR WITH RUVECO	M:JP,N:NSF	
22	920041000	NOZZLE § 0,6MM NF		
23	531197300	CERAMIC THERMOSTAT 145°C		
23	531195100	TERMOSTAT 145°C	N:UL	
24	983218000	BOILER FASTON COVER E71		
25	710955000	BOILER PRESIDENT		
25	710956000	BOILER PRESIDENT NSF	N:NSF	
25	710957000	BOILER PRESIDENT JPN	M:JP	
26	401214000	GASKET		
25	730801000		T:24Vcc	
25	730802000		N:NSF,T:24	
25	730803000		M:JP,T:24Vcc	

Per i particolari non codificati vedere la tabella
 Pour les pièces détachées pas codifiées se référer aux vues éclatées
 For the parts not listed, please refer to the table
 Bezüglich der nicht kodifizierten Ersatzteile bitte die Tabelle verwenden
 Por los repuestos no codificados rogamos de utilizar la tabla
 Pelos particulares no codificados outar as tabela

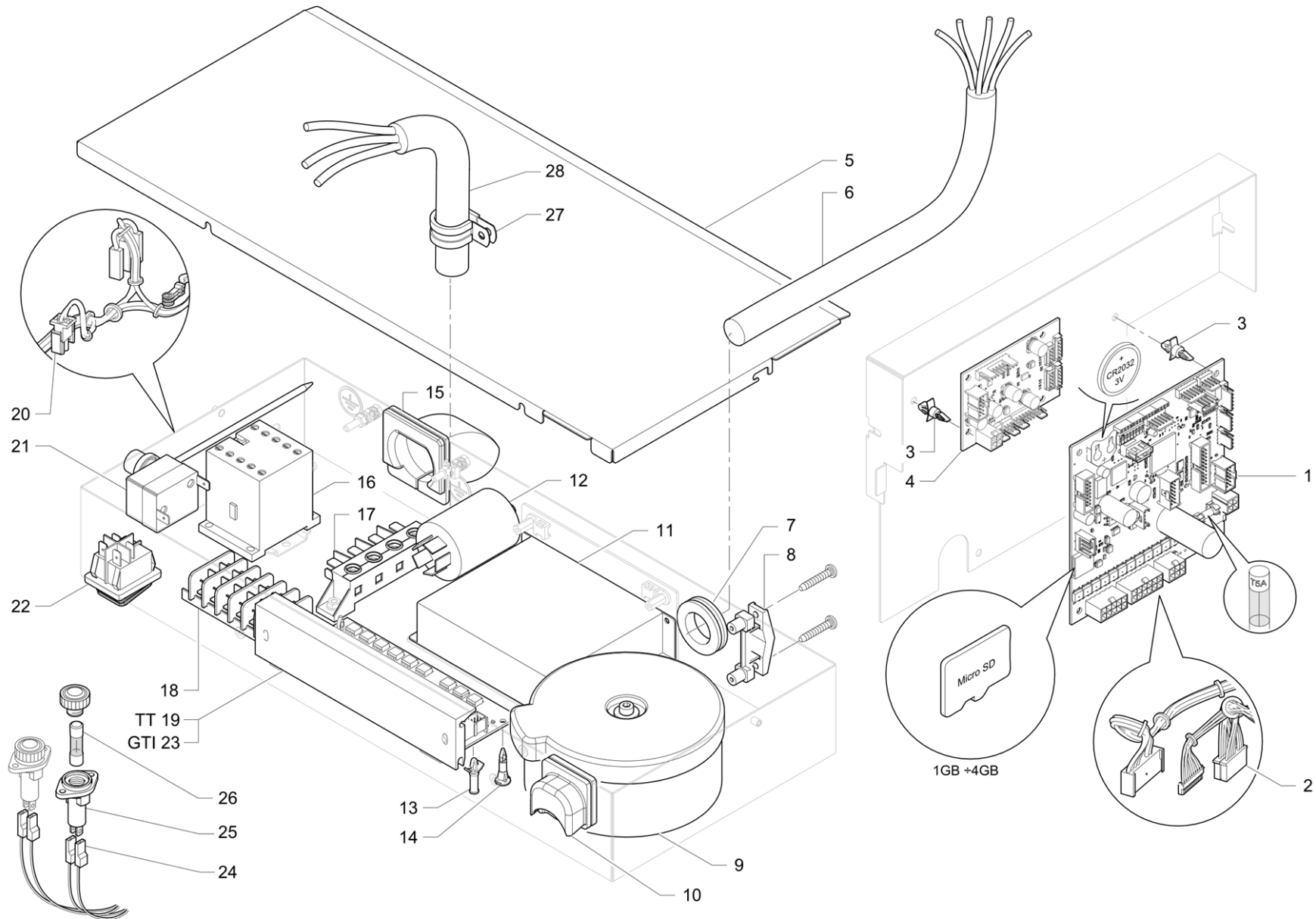
➔ **BW-H02**



Pos	Part Number	Description	Validity	Notes
1	995058005F	LOWER SEMI-BODY FAEMA 600cc CLB		
2	503606120	M6X12 FLAT COUNTERSUNK HEX HEAD SCREW		
3	995059000	FAEMA STAINLESS STEEL BOILER BELL		
4	710972000	STAINLESS STEEL BOILER PRESIDENT 600cc (
4	710973000	STAINLESS STEEL BOILER PRESIDENT 600cc N	N:NSF	
4	710974000	STAINLESS STEEL BOILER PRESIDENT 600cc J	M:JP	



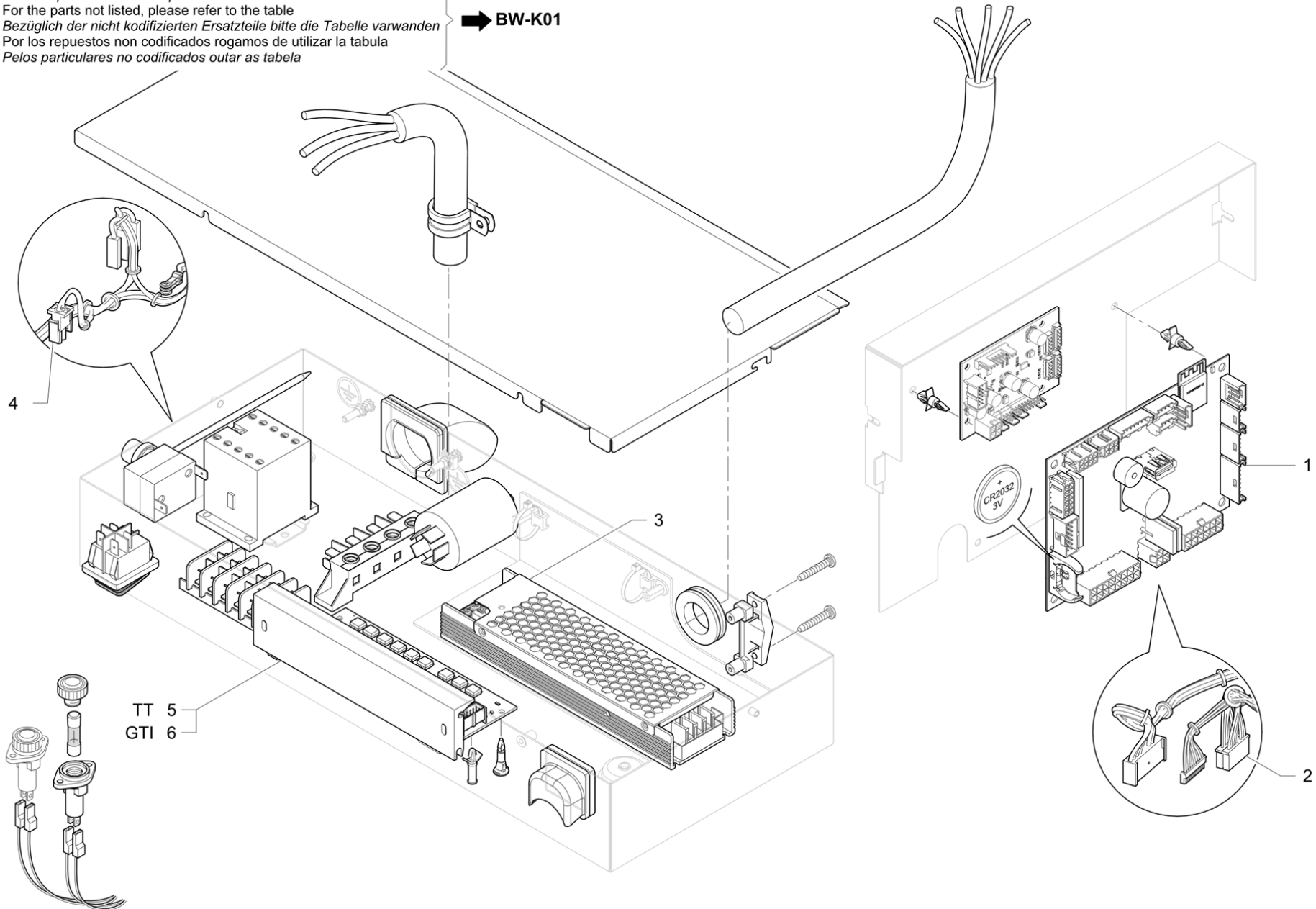
Pos	Part Number	Description	Validity	Notes
1	952706030	VALVE GROUP 24V 50 60Hz		
1	983867000	24V VALVES GROUP NSF	N:NSF	
1	751700000	GRUPPO VALVOLE 24V cc	T:24Vcc	
2	402314000	OR 7.59x2.62 EPDM 75.5 INLET		
3	958231005F	MINI-VALVE		
	⇒ 958231000	MINI-VALVE		
4	530501200	OR 2025		
5	958071000	SPRING FOR VALVE		
6	958073000	SPACER		
7	401183010	GASKET 22X17X1,5 INLET VALVE		
8	457347010	3/8 GAS EXAGONAL INOX CAP		
9	402250010	OR 3.68X1.78 VITON NSF		
	⇒ 402250000	GASKET 3,68 X 1,78 INTERMEDIATE TS		
10	958367000F	NIPPLE 1/8 X 1/8 NOZZLE 0.8		
11	512904050	S.S. M4X5 SCREW		
12	958075010	SPRING FOR VALVE		
13	401190000	O-RING 12,37X2,62 EPDM INLET		
14	958076000	ADJUST. SCREW		
15	220000016	SILICONE PIPE D 6X10		
16	533893320R	SOLENOID VALVE 2G 24V/50-60Hz		
	⇒ 533893300R	SOLENOID VALVE 2G 24V/50-60HZ		
16	533895720R	2-WAY SOLENOID VALVE 24V/60	N:UL	
	⇒ 533895700R	SOLENOID VALVE 2G 24V/60HZ NF	N:UL	
16	533907400F	SOLENOID VALVE 2 NORMALLY CLOSED	T:24Vcc	
17	531494300	METAL. COND. 10 uF DUCATI 416.33.27		
	⇒ 531492400	CAPACITOR 10MF		
17	531492900	CAPACITOR 10mF	N:UL	
18	530298120	PUMP 220/50 HORIZ. MOTOR		
18	530299600	PUMP 220/50 HORIZ. MOTOR UL	N:UL	
19	4741133394	RUBBER ANTIVIBRATION		
20	4821023082	MOTOR JOINT		
21	4081021923	RING		
22	4821108987	PUMP JOINT		
23	462327000	INSULATING MEMBRANE		
24	3951117886	COMPREHENSIVE PIPE		
24	532304400	VALVE BLOCK-PUMP TUBE NF	N:NSF	
25	3951130515	PIPE 3/8X 3/8 120øMM 2200		
25	532304300	PIPE 3/8 NF	N:NSF	
26	981153000	3/8GAS NIPPLE W/FILTER		
27	4004136622	SCREW M6		
28	533180010	180 L/h VOLUMETRIC PUMP INOX W/FILTER		



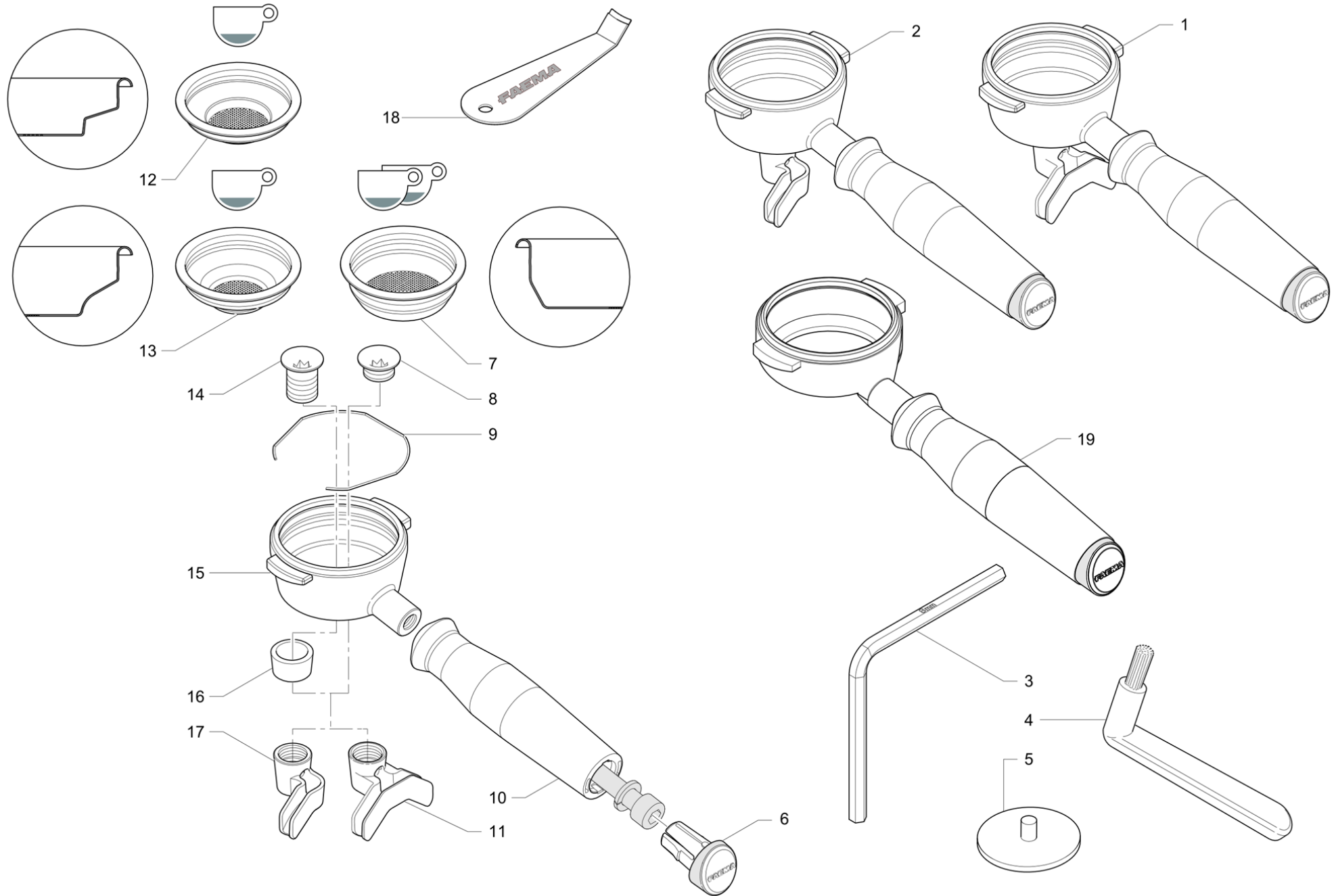
Pos	Part Number	Description	Validity	Notes
1	537059410	NEWTON CPU BOARD		
	⇌ 537059400	NEWTON CPU BOARD		
2	536254010	LOW VOLTAGE WIRING 2-3-4GR		
2	536253010	DC WIRING 2/3 GR		
2	536252010	LOW VOLTAGE WIRING 4 GR W/BOILER		
3	532729700	BOARD SUPPORT		
4	947987010	LIGHT AND TURBOSTEAM SUPPORT CARD		
5	710126011	ELECTRIC BOX COVER		
	⇌ 710126001	ELECTRIC BOX COVER		
6	421214000	WIRE		
6	946296000	SUPPLY CABLE 5x1.5mm2	N:KTL	
6	910414010	MAIN CABLE 4X3,5	M:JP	
7	532178600	PVC FAIRLEAD		
8	532123300	CORD FIXING LOCK		
9	530901910	TRASFORMER		
10	937074000	FAIRLEAD		
11	530991100	AC/DC POWER SUPPLY UNIT 100W 24V		
12	531404200	PHASE FILTER 115/250V 50/60 Hz		
13	532174700	SPACER FOR ELECTRONIC BOARD		
14	532174600	SPACER		
15	937075000	FAIRLEAD		
16	531503520	CONTACTOR 4P 220/240V		
16	531508600	MINI-COUNTER 20A 200V 50/60Hz	M:JP	
17	532161500	TERMINAL BOARD		
18	532175700	TERMINAL BOARD		
19	537060500	POWER SLAVE NEWTON BOARD		
20	536251010	HIGH VOLTAGE WIRING 2-3-4GR		
20	536249010	AC WIRING 2/3 GR		
20	536250010	HIGH VOLTAGE WIRING 4 GR W/BOILER		
21	531194720	SFTY. THERMOSTAT		
22	532024500	SWITCH		
22	532091300	GREEN BIPOLAR SWITCH	M:JP,N:KTL	
23	947988000	TRIAC NEWTON BOARD		
24	535982000	FUSES ADAPTOR	N:UL	
25	530111000	FUSE HOLDER	N:UL	
26	530112200	FUSE CC15 A	N:UL	
27	532170400	FIXCABLE	N:UL	
28	530191300	SINGLE-PHASE POWER CABLE UL 3x8 L=2350 N	N:UL	

Per i particolari non codificati vedere la tabella
 Pour les pièces détachées pas codifiées se référer aux vues éclatées
 For the parts not listed, please refer to the table
 Bezüglich der nicht kodifizierten Ersatzteile bitte die Tabelle verwenden
 Por los repuestos no codificados rogamos de utilizar la tabula
 Pelos particulares no codificados outar as tabela

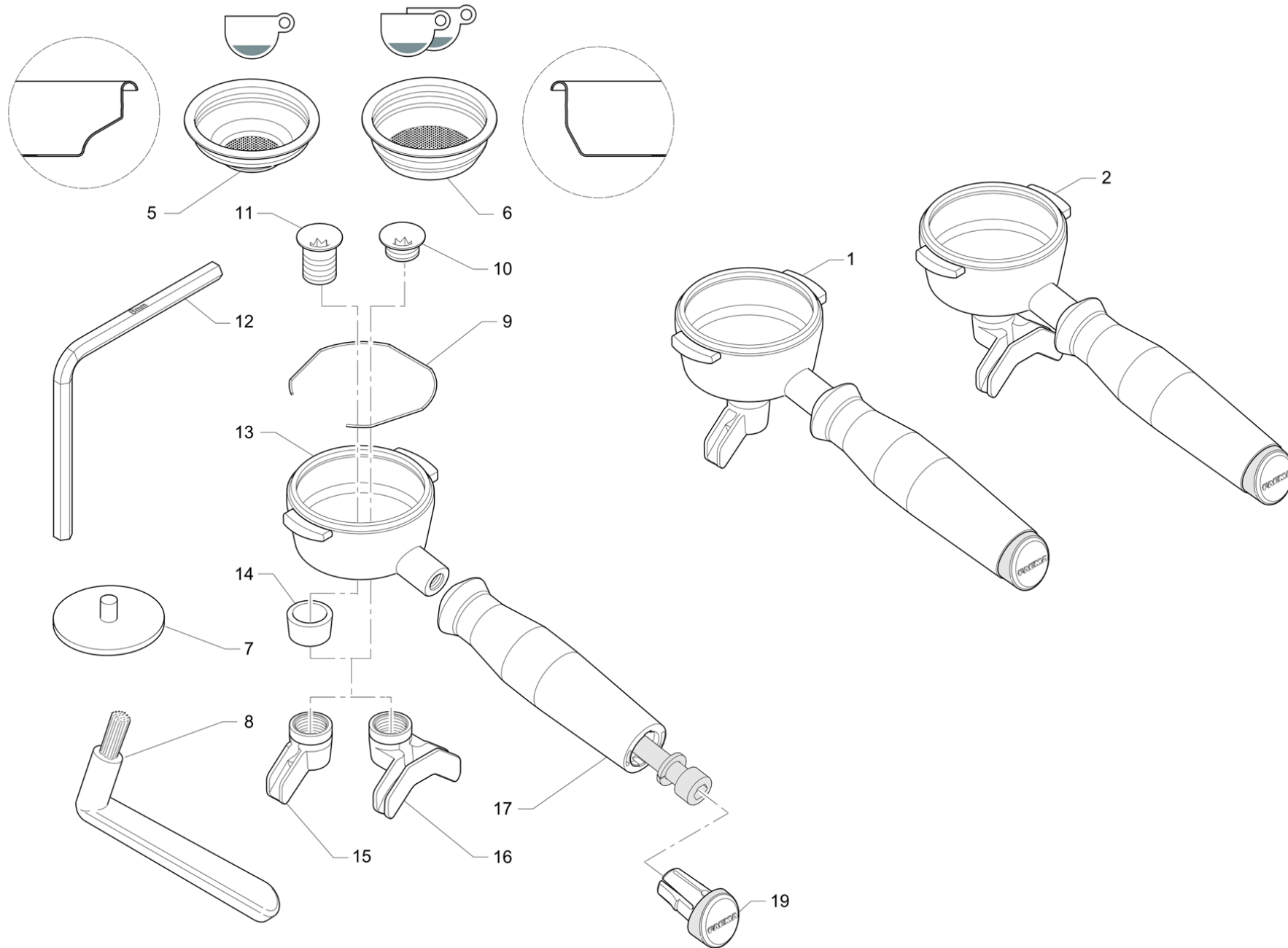
➔ **BW-K01**



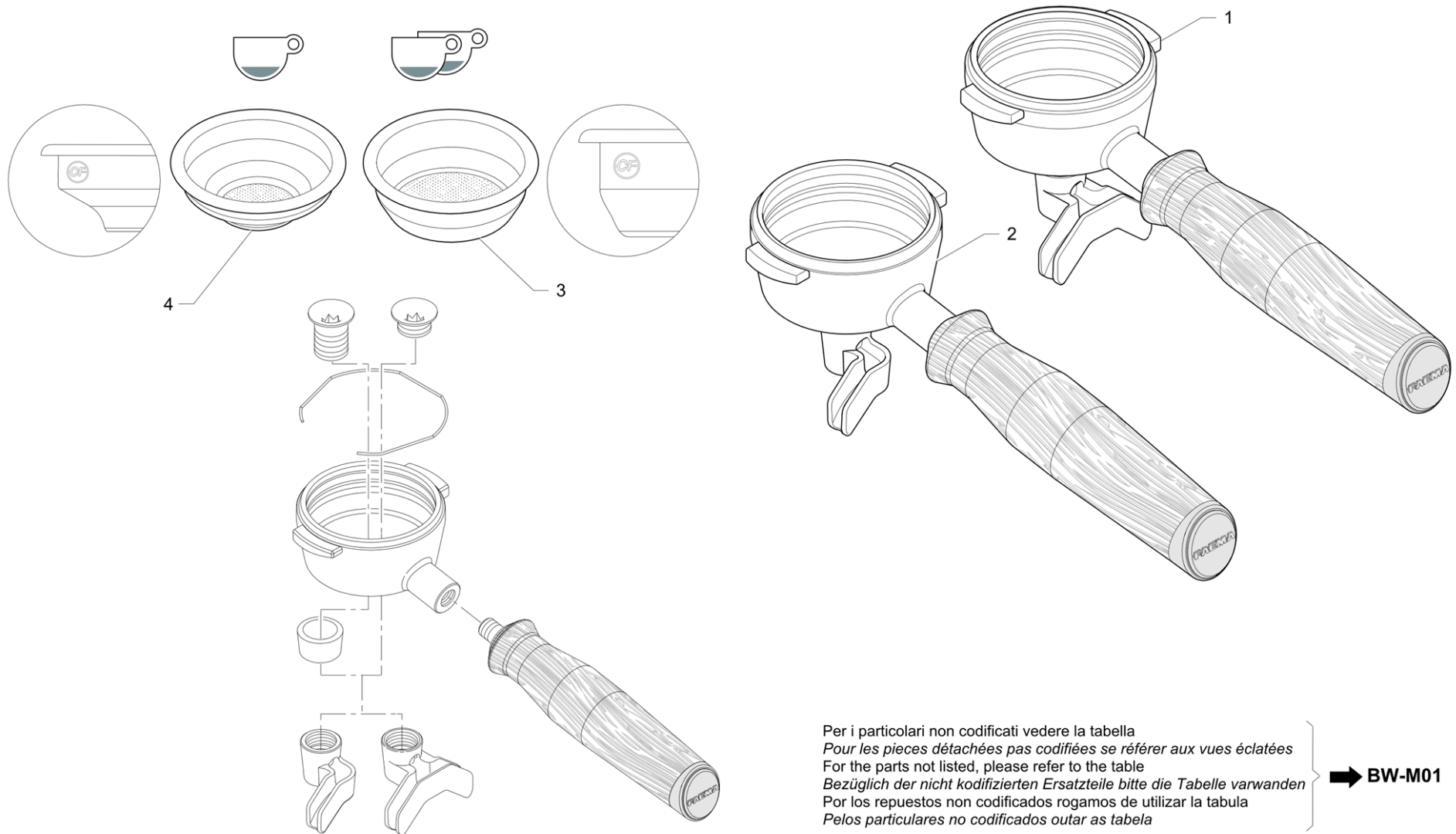
Pos	Part Number	Description	Validity	Notes
1	537067510	SCHEDA CPU IDEA RIC.		
2	536348000	M100_IDEA_BT		
2	536305010	Main cable - 2 & 3GR GTI		
2	536281010	Main cable - 4 GR GTI		
3	538165000	POWER SUPPLY		
4	536349000	M100_IDEA_AT		
4	536300000	Electric box wiring 2 & 3GR		
4	536304000	Electric box wiring 4 GR		
5	537068100	SCHEDA TRIAC IDEA LIGHT RIC.		
6	713741000	TRIAC BOARD		



Pos	Part Number	Description	Validity	Notes
1	957849010F	FAEMA DESMOPAN/STAINLESS STEEL FILTER-HO		
2	957859010F	FAEMA 1-WAY DESMOPAN/STAINLESS STEEL FIL		
3	629000300	8" ALLEN KEY		
4	457062020	BELL CLEANING BRUSH		
	⇌ 457062000	BRUSH		
5	457058000	DISK CLEANING GROUP		
6	457591000	CAP		
7	457369000	2-CUP FILTER		
8	457443000F	SPOUT SHORT SCREW		
9	457874000	SPRING FOR LOCKING THE COFFEE FILTER		
10	457588010	DESMOPAN FILTER-HOLDER GRIP		
11	457437000F	FAEMA 2-WAY NEW STEEL SPOUT		
12	457362000	1-CUP FILTER LOW		
13	457368000	COFFEE FILTER 1 CUP		
14	457444000F	SPOUT LONG SCREW		
15	457434000F	FAEMA STAINLESS STEEL FILTER-HOLDER CUP		
16	457442000F	FILTER-HOLDER* S.STEEL SPACER		
17	457440000F	FAEMA 1-WAY NEW STEEL SPOUT		
18	629000760	FAEMA FILTER REMOVAL LEVER		
19	983932010F	FAEMA NAKED FILTER-HOLDER		



Pos	Part Number	Description	Validity	Notes
1	957860010F	FAEMA 1WAY FILTERHOLDER BRASS/DESMO		
2	957852010F	FAEMA 2WAY FILTERHOLDER BRASS/DESMO		
5	457368000	COFFEE FILTER 1 CUP		
6	457369000	2-CUP FILTER		
7	457058000	DISK CLEANING GROUP		
8	457062020	BELL CLEANING BRUSH		
	⇒ 457062000	BRUSH		
9	457874000	SPRING FOR LOCKING THE COFFEE FILTER		
10	457443000F	SPOUT SHORT SCREW		
11	457444000F	SPOUT LONG SCREW		
12	629000300	8" ALLEN KEY		
13	457457007F	CHROME FILTER-HOLDER BODY		
14	457471007	FILTER-HOLDER* BRASS SPACER		
15	457597000F	1-WAY SPOUT		
16	457596000F	2-WAY SPOUT		
17	457588010	DESMOPAN FILTER-HOLDER GRIP		
	⇒ 457588000	DESMOPAN FILTER HOLDER KNOB		
19	457591000	CAP		



Per i particolari non codificati vedere la tabella
 Pour les pièces détachées pas codifiées se référer aux vues éclatées
 For the parts not listed, please refer to the table
 Bezüglich der nicht kodifizierten Ersatzteile bitte die Tabelle verwenden
 Por los repuestos no codificados rogamos de utilizar la tabula
 Pelos particulares no codificados outar as tabela

➔ **BW-M01**

Pos	Part Number	Description	Validity	Notes
1	957846010F	FAEMA STAINLESS STEEL/WOODEN 2-WAY FILTE	C:WD	
	⇌ 957846000F	2-WAY FILTER-HOLDER* S.STEEL/WOOD FAEMA	C:WD	
2	957858010F	FAEMA STAINLESS STEEL/WOODEN 1-WAY FILTE	C:WD	
	⇌ 957858000F	1-WAY FILTER-HOLDER* S.STEEL/WOOD FAEMA	C:WD	
3	983182000	BARISTA FILTER FOR 2 COFFEES		
4	983183000	BARISTA FILTER FOR 1 COFFEE H=22.5		

