

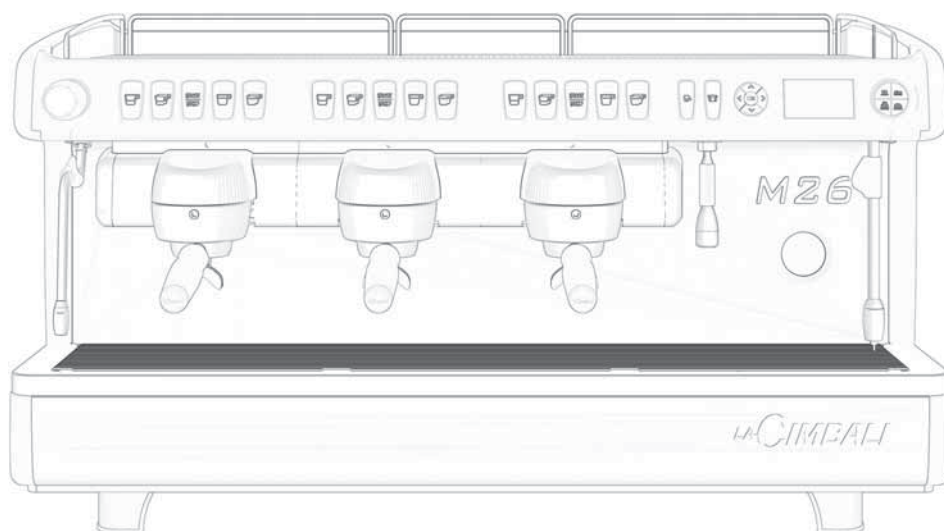
LA CIBALI

M26

USA

USE AND INSTALLATION
UTILISATION ET INSTALLATION

Translation of the original instructions
Traduction du manuel d'origine



997-184-000 (rev. 2110)



An updated, electronic version of the manual can be accessed from the website shown at the bottom of the page, using the credentials below.

Une copie actualisée du présent manuel est disponible au format électronique en accédant au site indiqué en bas de la page, en utilisant les identifiants communiqués ci-dessous.



<https://order.gruppocimbali.com/explorer/spareparts/page/login>

User ID: guest
PW: Entr@nc3



Please sign in

English

Translation of the original instructions

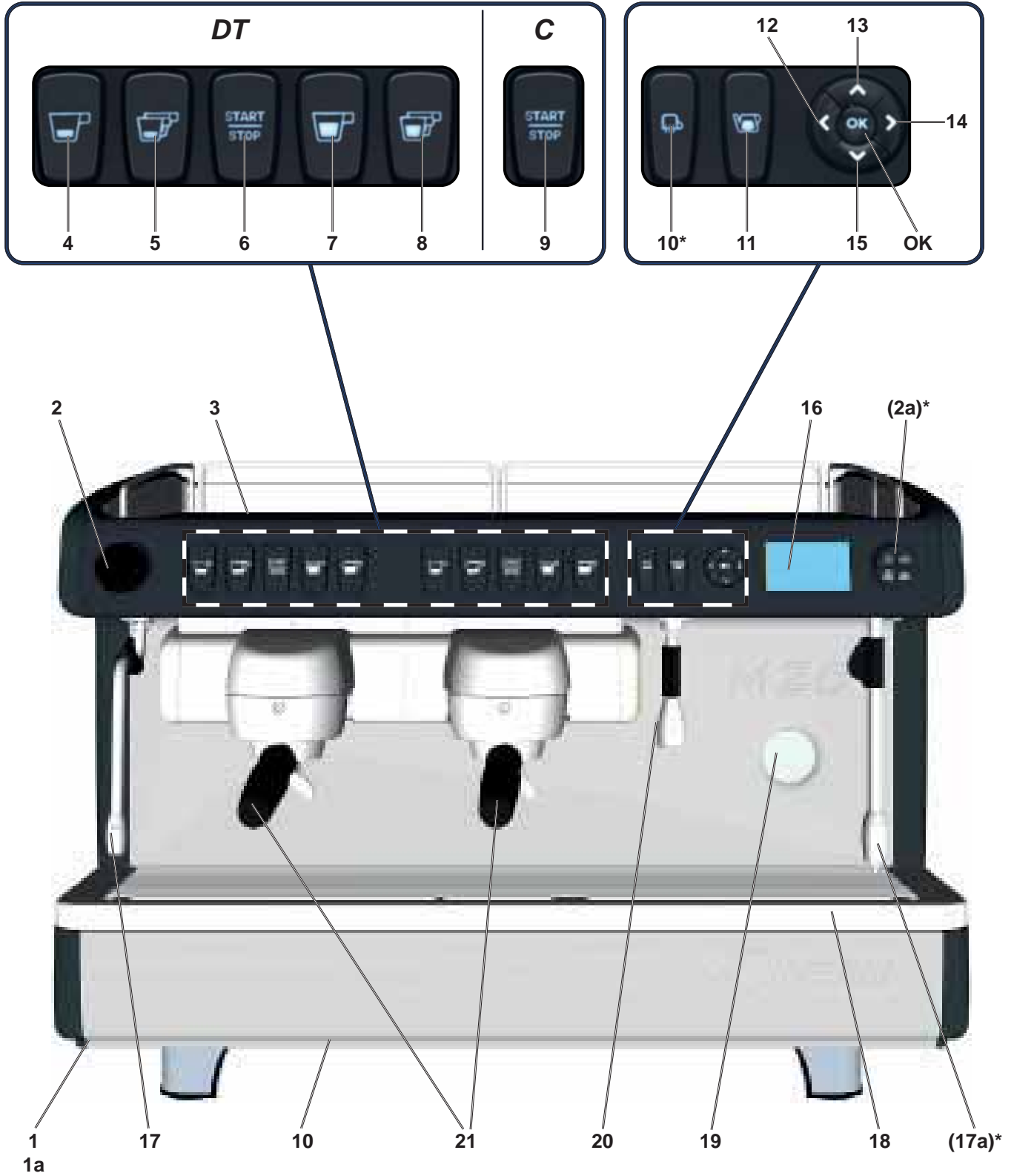
Français

Traduction du manuel d'origine

English

Français

M26



EN LEGEND

- 1 Main ON/OFF switch
- 1a Boiler heat resistance switch (*)
- 2 Steam adjustment knob
- 2a Turbosteam selector (*)
- 3 Cups-warmer (*)
- 4 Dispensing push button - 1 short coffee
- 5 Dispensing push button - 2 short coffees
- 6 STOP-continuous / Prog - push button
- 7 Dispensing push button - 1 long coffee
- 8 Dispensing push button - 2 long coffees
- 9 Coffee dispensing switch
- 10 Electrical cup warmer button (*)
- 11 Hot water button
- 12 "◀" key (to quit programming mode / cancel entered data)
- 13 "▲" key (to modify parameters / clock)
- 14 "▶" key (to access programming mode / menu)
- 15 "▼" key (to modify parameters / clock)
- 16 Graphical display (*)
- 17 Swivel steam jet pipe
- 17a Turbosteam pipe (*)
- 18 Pan
- 19 Pump pressure gauge / Boiler pressure gauge (*)
- 20 Hot water dispensing pipe
- 21 Filter holder
- OK** On / Off switch boiler resistance - confirm entered data

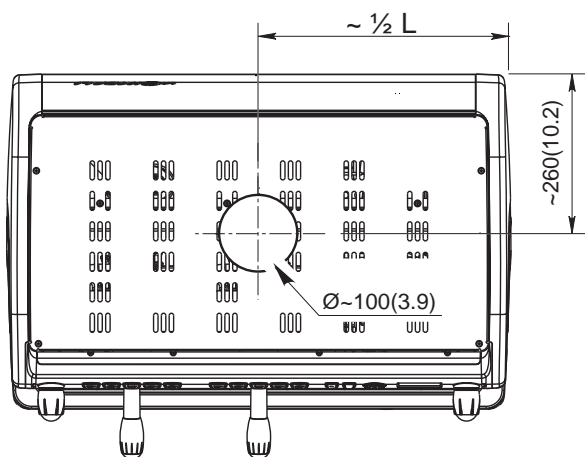
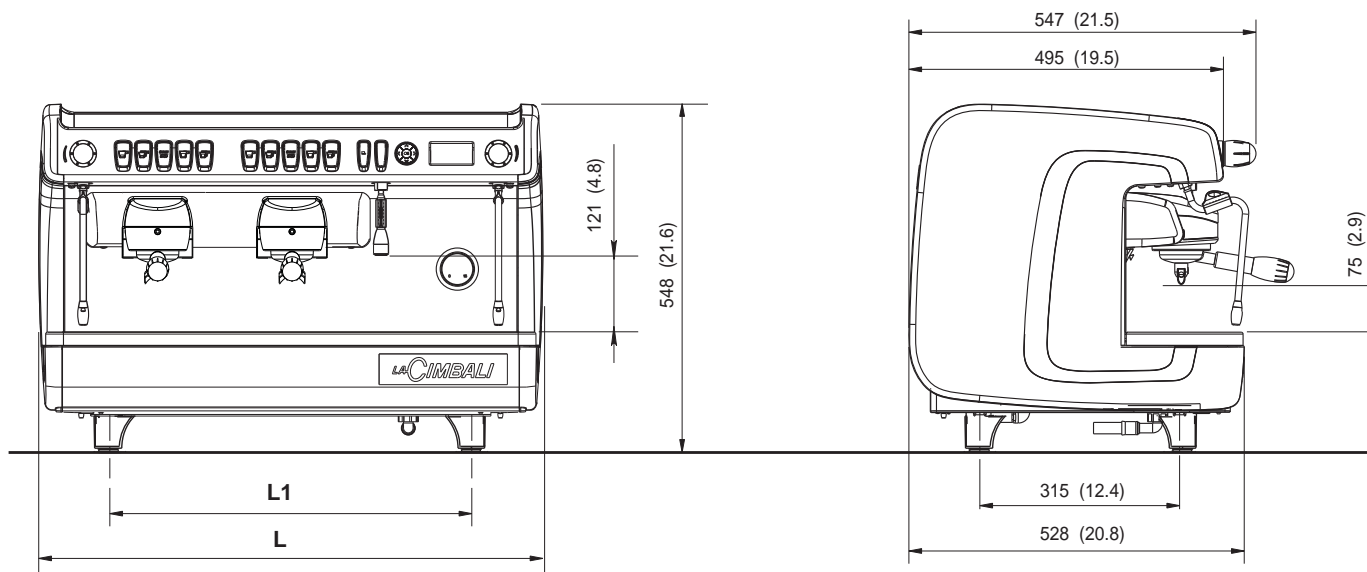
The components - * - are applied only in some product configurations

FR LÉGENDE

- 1 Interrupteur général
- 1a Interrupteur branchement résistance chaudière (*)
- 2 Poignée de réglage de la vapeur
- 2a Sélecteur Turbosteam (*)
- 3 Chauffe-tasses (*)
- 4 Touche débit 1 café court
- 5 Touche débit 2 café court
- 6 Touche STOP-CONTINU / Prog
- 7 Touche débit 1 café long
- 8 Touche débit 2 café long
- 9 Interrupteur de débit du café
- 10 Touche chauffe-tasses électrique (*)
- 11 Bouton de l'eau chaude
- 12 Touches "◀" (sortir de la programmation / données introduites non valables)
- 13 Bouton "▲" (modifier les paramètres / horloge)
- 14 Touches "▶" (entrer en programmation / menu)
- 15 Bouton "▼" (modifier les paramètres / horloge)
- 16 Ecran graphique (*)
- 17 Tuyau (lance) orientable de la vapeur
- 17a Tuyau Turbosteam (*)
- 18 Cuvette
- 19 Manomètre de la pompe / Manomètre de la chaudière (*)
- 20 Tuyau (lance) d'eau chaude
- 21 Porte-filtres
- OK** Bouton poussoir d'activation / désactivation résistance chaudière - confirmation des données introduites

Les composants - * - sont montés seulement dans quelques configurations de produits

	P_{max} [bar] [psi]	T_{max} [°C] [°F]	Type of machine type de machine	2 groups 2 groupes	3 groups 3 groupes
			Fluid - Fluide	Capacity - Capacité [L]	
Service boiler Chaudière	2 29	133 271	water/steam eau/vapeur	10	15
Heat exchanger Échangeur de chaleur	12 174	133 271	water eau	0.18 x 2	0.18 x 3



DIMENSIONS			
		2 gr.	3 gr.
L	mm	794	994
	inches	31.3	39.1
L1	mm	570	770
	inches	22.4	30.3
Weight	Kg	75	87
	pounds	165	192

Symbols - Symboles



Generic warning - Avertissement générique



WARNING: Electrical Hazard - ATTENTION: danger électrique



WARNING: Trapping Hazard, Take Care with Hands - ATTENTION: danger d'écrasement des mains



WARNING: Hot surface - ATTENTION: Surface chaude



Environmental protection - Sauvegarde de l'environnement



**These pages of the manual are for the use of the worker operating the machine.
Ces pages du manuel sont destinées à l'opérateur.**



**These pages in the manual are to be used by qualified, authorized technical staff.
Ces pages du manuel sont réservés au personnel technique qualifié et autorisé.**

This page is intentionally left blank.

Cette page est délibérément laissée vierge.

Index

	Page		Page
1. General Rules	2	18. Cleaning and maintenance.....	20
2.1 Transport and handling	3	Groups of DT version with display	21
2.2 Installation Rules.....	4	Simultaneous washing	22
3. Electrical Installation Rules.....	5	Sequential washing	23
4. Water Installation Rules.....	5	Single washing	24
5. Installation Check-up.....	6	Block function	25
6. Rules for the worker operating the machine	7	Changing the water in the boiler.....	25
7. Caution	8	Groups of DT version without display	26
8. Maintenance and Repairs	9	Groups of C version.....	27
9. Decomissioning the machine	10	Filter-holders	27
		Steam dispensing pipes	28
		Hot-water dispensing pipe	29
		Grille and Drip Basin	29
		Draining tray	29
		Bodywork	29
		19. Defects - Malfunctions	30
		Messages in explicit mode.....	30
		CUSTOMER PROGRAMMING	
		(only DT version with display)	
		20. Data flow chart.....	31
		21. Clock adjustment	32
		22. How to access the programming mode	32
		23. Key menu - Coffee selection	33
		24. Key menu - Hot water selection.....	33
		25. Programming measures using the	
		“SELF-LEARNING” function	34
		26. Washing	34
		27. DATA menu - Counter display and zeroing...	35
		28. Customer parameters menu.....	36
		Language selection	36
		Service time menu.....	37
		Date and time	37
		ILLUSTRATIONS	VII
		Changing the Voltage of the Transformer	VII
		Service Line	VIII



1. General Rules



**Please read the warnings and rules in this User's Manual carefully before using or handling the machine in any way because they provide important information regarding safety and hygiene when operating the machine.
Keep this booklet handy for easy reference.**

- The machine was designed solely for preparing espresso coffee and hot beverages using hot water or steam, and for warming cups. Any other use is considered irregular.
- The machine must be installed in a place where it is only used by carefully trained staff that know the risks attached to using the machine.
- The machine is for professional use only.
- This appliance can be used by children aged from 8 years and above and persons with reduced physical, sensory or mental capabilities or lack of experience and knowledge if they are supervised or given instruction concerning the safe use of the appliance and understand the hazards involved. Children must not play with the appliance.
Cleaning and user maintenance must not be made by children without supervision.
Use by minors, with or without adult supervision, must not contravene local employment laws.
- Never leave the appliance unattended while it is in use.
- The appliance must not be used outdoors.
- If the appliance is stored in rooms where the temperature can drop below the freezing point, empty the boiler and water circuit tubes.
- Do not expose the appliance to atmospheric agents (rain, sun, and cold).
- Do not clean the appliance with jets of water.
- Noise: assessed acoustic pressure level 77 dB(A) (+/- 2.5dB).
- If the power-supply cord is damaged, it can only be replaced by qualified and authorized technicians.
- If the machine is used improperly or for purposes other than those described above, it can be a source of danger. The manufacturer will not be held responsible for damages caused by improper use of the appliance.

**WARNING**

Installation, dismantling, and adjustments must only be performed by qualified and authorized technicians.

Carefully read the warnings and rules in this manual because they provide important information regarding safe installation, use and maintenance of the machine.

Keep this booklet handy for easy reference.

2.1 Transport and handling**Packaging**

- The machine is delivered in a robust cardboard package, with appropriate internal protection. The package features the standard symbols indicating rules to be followed when handling and storing the appliance.
- Transport must be carried out according to the instructions on the package, handling with appropriate caution and avoiding impact of any type.
- Do not expose the appliance to atmospheric agents (rain, sun, and cold).

Checks on receipt

- On receipt of the appliance, carefully check all transport documentation is correct (against label on package).
- Check that the original packaging is not damaged.
- After removing the appliance from its packing materials, make sure that the appliance and its safety devices are intact.
- Packing materials (plastic bags, polystyrene foam, staples, etc.) must be kept out of the reach of children because they are potentially hazardous.

Advice for disposal of packaging

The packaging materials are eco-compatible and recyclable. For the protection of the environment they must not be dumped, but taken to a recovery / waste-disposal centre, according to local regulations.



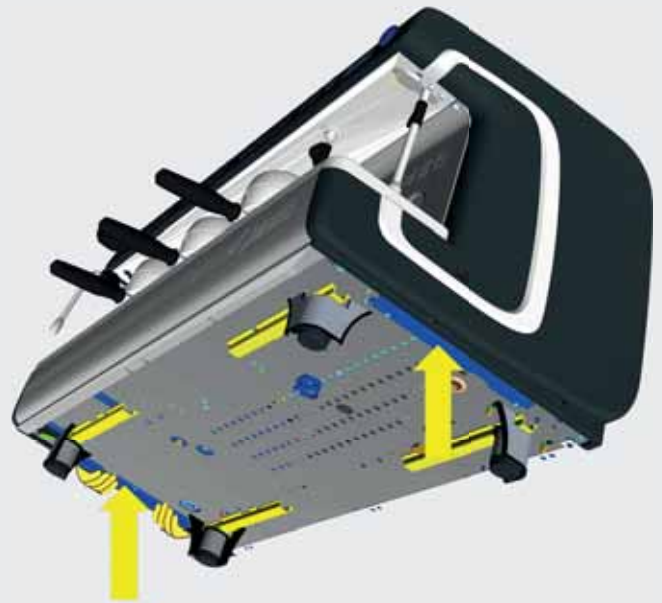
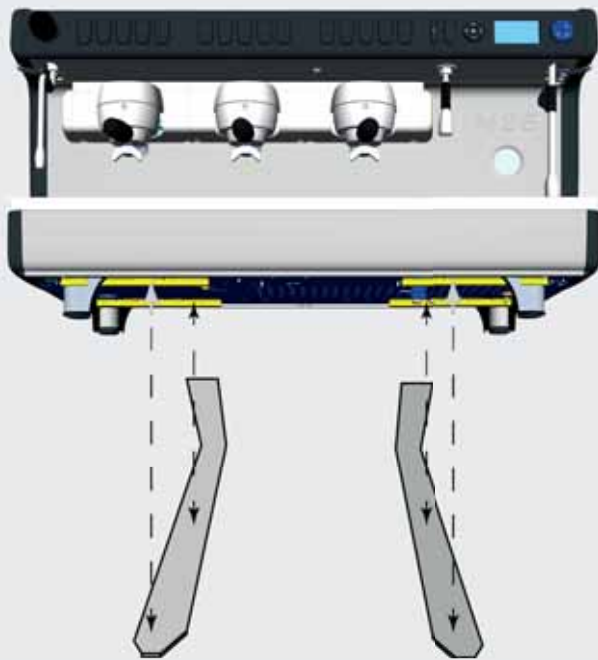
Handling



Staff responsible for moving the appliance must be aware of the risks in moving heavy loads. Move the appliance carefully, using, where possible, the correct lifting equipment (fork lift, for example).

If moving the appliance by hand, make sure:

- enough people are available for the task, depending on the appliance weight and how difficult it is to handle;
- to always use the necessary safety equipment (shoes/gloves).



2.2 Installation Rules

- Before plugging in the appliance, make sure that the information on the nameplate (voltage, etc.) matches that of the electrical and water systems.
- Check the condition of the power-supply cord; if it is damaged it must be replaced.
- Completely unwind the power-supply cable.
- The coffee machine should sit on a flat, stable surface at least 1 inch (20 mm) from walls and from the counter. Keep in mind that the highest surface on the machine (the cup-warmer tray) sits at a height of at least 47 inches (1.2 meters). Make sure there is a shelf nearby for accessories.
- Room temperature must range between 50°F and 89.6°F (10° and 32°C).
- An electrical outlet, water connections, and a drain with siphon must be in the immediate vicinity.
- Do not install in rooms (kitchens) that are cleaned with jets of water.
- Do not obstruct openings or ventilation and heat vents.
- Do not install the appliance outdoors.
- Do not install or use the appliance in potentially explosive environments.
- Do not install the appliance in the presence of flammable substances.



3. Electrical Installation Rules

Prior to installation, make sure there is a circuit breaker installed with a distance between the contacts that allows for complete disconnection when there is a category III overload and that provides protection against current leakage equal to 30 mA. The circuit breaker must be installed on the power-supply in compliance with installation rules.

If the power-supply is not working properly, the appliance can cause transitory voltage drops.

The electrical safety of this appliance is only ensured when it is correctly connected to an efficient earthing system in compliance with the electrical safety laws in force. This fundamental safety requirement must be verified. If in doubt, request that a qualified electrician inspect the system. The manufacturer cannot be held responsible for any damage caused by the lack of an earthing system on the electrical supply.

Do not use adaptors, multiple plugs, and/or extension cords.

Check that the type of connection and voltage correspond with the information on the nameplate: see *illustrations chapter, Figure 1*.

For machines with a single-phase connection: see *illustrations chapter, Figure 2*.

This equipment has been tested and found to comply with the limits for a Class A digital device, pursuant to part 15 of the FCC Rules.

These limits are designed to provide reasonable protection against harmful interference when the equipment is operated in a commercial environment.

This equipment generates, uses, and can radiate radio frequency energy and, if not installed and used in accordance with the instruction manual, may cause harmful interference to radio communications.

Operation of this equipment in a residential area is likely to cause harmful interference in which case the user will be required to correct the interference at his own expense.

4. Water Installation Rules

WATER REQUIREMENTS

Water used in coffee machines must be suitable for human consumption (see laws and regulations in force).

Check on the machine's water inlet that the pH and chloride values comply with current law.

If the values do not fall within the limits, an appropriate water-treatment device must be inserted (respecting the local laws and compatible with the machine).

If the machine uses water with a hardness exceeding 8 °f (4.5 °d), a specific maintenance plan must be implemented according to the hardness detected and machine usage.

WARNING

Only use the supplied parts for installation. If other parts are installed, they must be new (unused pipes and gaskets for the water connection) and they must be permitted for contact with water suitable for human consumption (according to local laws in force).

WATER CONNECTIONS

Place the appliance on a flat surface and stabilize it by adjusting and securing the feet.

Hook up the water connections as shown in the *Illustrations chapter, Figure 3*, respecting the hygiene, water safety, and anti-pollution laws in the country of installation.

Note: If the water pressure can rise above 87 psi (6 bar), install a pressure reducer set at 29+43 psi (2+3 bar). See *Illustrations chapter, Figure 4*.

Water draining tube: place the end of the water draining tube in a drain with a siphon for inspection and cleaning.

IMPORTANT: The curves of the water-draining tube must NOT bend as shown in *Illustrations chapter, Figure 5*.

ATTENTION: This equipment is to be installed with adequate backflow protection to comply with the applicable federal, state or local plumbing codes having jurisdiction.



5. Installation Check-up



WARNING: AFTER INSTALLATION, CHECK TO SEE IF THE MACHINE IS WORKING PROPERLY (see the Installation Module C).

WATER CONNECTIONS

- No leaks from the connections or tubes

FUNCTIONING

- Boiler and operating pressures are normal.
- The pressure gauge is working properly.
- The self-levelling device is working properly.
- The expansion valves are working properly



WARNING: ONCE THE MACHINE HAS BEEN INSTALLED AND IS READY FOR USE, BEFORE ALLOWING THE WORKER TO START USING THE MACHINE, WASH THE INTERNAL COMPONENTS ACCORDING TO THE INSTRUCTIONS BELOW:

GROUPS

- Hook up the filter holders to the groups (without coffee).
- Let each group dispense water for about a minute.

HOT WATER

- Continuously dispense hot water (pressing the appropriate button) until at least 5 liters of water have been used for a machine with 2 groups, and 8 liters for a machine with 3 groups.
See the "Hot water dispensing" chapter in the User's Manual.

STEAM (also with Turbosteam)

- Dispense steam from the nozzles for about a minute, using the appropriate buttons.



6. Rules for the worker operating the machine

BEFORE YOU START



WARNING: BEFORE YOU START OPERATING THE MACHINE, WASH THE INTERNAL COMPONENTS FOLLOWING THE INSTRUCTIONS INDICATED BELOW. THESE STEPS MUST BE REPEATED AT LEAST ONCE A DAY AND WHEN THE MACHINE HAS NOT BEEN OPERATED FOR MORE THAN 8 HOURS.

Groups

- Hook up the filter holders to the groups (without coffee).
- Let each group dispense water for about a minute.

Hot Water

- **DT version with display.** Run the water replacement as indicated in the section "*Changing the water in the boiler*".
- **C version / DT version without display.** Continuously dispense hot water (pressing the appropriate button) until at least 5 liters of water have been used for a machine with 2 groups, and 8 liters for a machine with 3 groups.

See the "Hot water dispensing" chapter in the User's Manual.

Steam (also with Turbosteam)

- Dispense steam from the nozzles for about a minute, using the appropriate buttons.

DURING OPERATION

Steam dispensing (also with Turbosteam)

- Before heating the beverage (water, milk, etc.), open the steam nozzle for at least 3 seconds and let the steam escape so that condensation is eliminated.

Coffee dispensing

- If the machine has not been used for more than an hour, before using the hot water, dispense about 100 cc and discard the liquid.

Hot water dispensing

- If the machine has not been used for more than an hour, before using the hot water, dispense about 200 cc and discard the liquid.

Cleaning the coffee

- Please read the specific section in the user's manual to learn how to clean these circuits.



7. Caution



Danger of burns

The areas marked with this sign become hot. **Great care should be taken when in the vicinity of these areas.**



WARNING: Hot surface
ACHTUNG: Heisse Oberfläche
ATTENTION: Surface chaude
ATTENZIONE: Superficie calda

GENERAL

The manufacturer disclaims all liability for damages to items or persons due to improper use or due to the coffee machine being used for purposes other than its intended use.

Do not operate the coffee machine with wet hands or bare feet.

Ensure that the appliance is not used by children or persons who have not been instructed in its correct use.

Danger of Burns

Do not place the hands or other parts of the body close to the coffee dispensing groups, or near to the steam and hot-water nozzles.

Cup-warmer tray

Place only coffee cups, cups and glasses to be used in conjunction with the coffee machine on the cup-warmer tray.

Ensure that the coffee cups are completely drained before placing them on the cup-warmer tray.

No other objects shall be placed on the cup-warmer tray.



MACHINE CLOSE-DOWN

When the machine is left unattended for a prolonged period (for example out of hours), carry out the following steps:

- Clean as indicated in the dedicated chapter;
- Remove the plug or turn off the main off-on switch;
- Close the water tap.

NOTE: for machines which can be programmed to switch on and off automatically, the power must be left on only if this function is active.

Non-compliance with these safety measures exonerates the manufacturer from all liability for malfunctions, damage to property and/or injury to persons and/or animals.



8. Maintenance and Repairs

If the machine is not working properly, turn off the machine, turn off the main off-on switch, and call the service centre.

If the power-supply cord is damaged, switch off the machine and request a replacement from the service centre.



To ensure safety during operation, it is absolutely necessary to:

- follow all the manufacturer's instructions;
- have qualified and authorized technicians periodically check that all safety devices are intact and functioning properly (the first inspection within three years of purchase and every year after that).



WARNING! Maintenance by unqualified individuals can jeopardize the safety and conformity of the machine.

Only use qualified, authorized technicians for repairs.

WARNING! Only use original spare parts guaranteed by the manufacturer.

If original spare parts are not used, the manufacturer's warranty will no longer be valid.

WARNING! After maintenance, perform the installation CHECK-UP as indicated in the specific section of the user's manual.

For California only

WARNING: Consuming beverages that have been prepared in this machine will expose you to lead, a chemical known to the State of California to cause birth defects and other reproductive harm.



9. Decommissioning the machine

Electrical equipment cannot be disposed of as ordinary urban waste.

To protect the environment, please proceed in compliance with the local laws in force.



Suitable differentiated waste disposal so that the machine can then be recycled, treated and disposed of in an environmentally friendly manner contributes to avoiding possible negative effects on the environment and health, and encourages the reuse and/or recycling of the materials from which the machine is made.

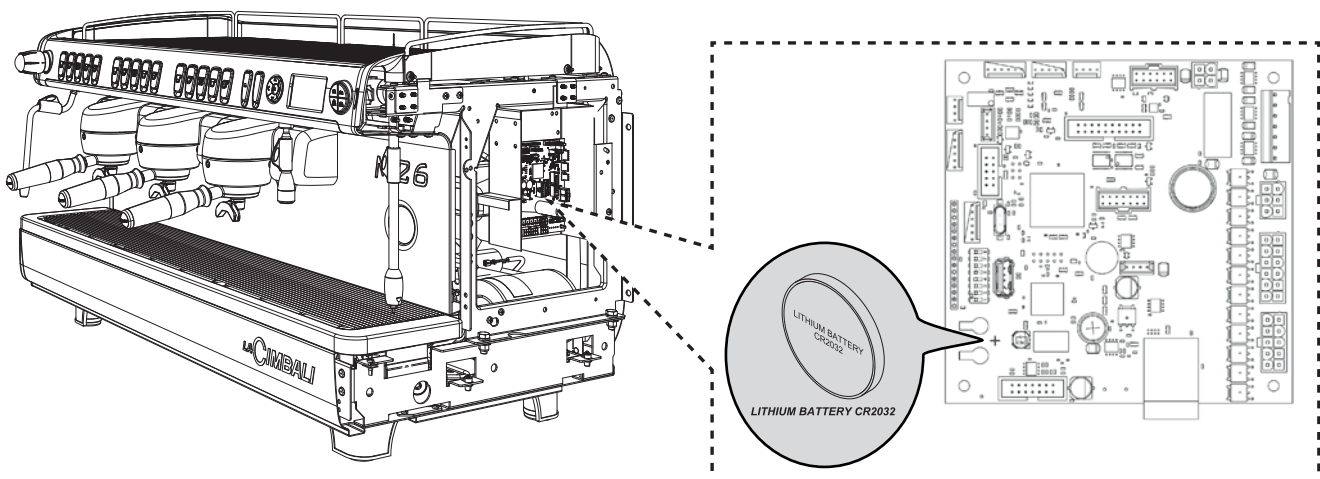
Improper disposal of electric equipment that fails to respect the laws in force will be subject to administrative fines and penal sanctions.

ENVIRONMENTAL INFORMATION (*only DT version with display*)

This product contains a non-rechargeable lithium (chemical components: lithium manganese dioxide) button cell battery fully encapsulated in the final product.

Recycle or dispose of batteries in accordance with the battery manufacturer's instructions and local/national disposal and recycling regulations.

Location of the battery





USE

10. Daily operation



“Before setting the machine to work, make sure that:

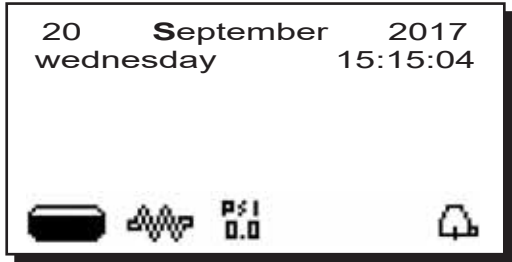
- the main electric power switch is on;
- the mains water tap has been turned on”.

MANUAL POWERING

DT version with display



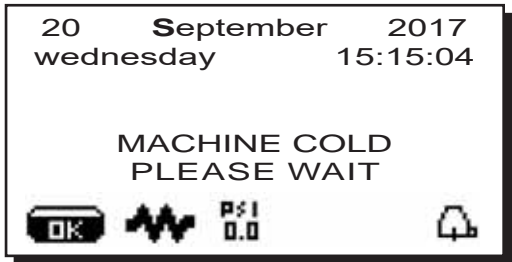
Press the luminous main switch.
 The the keys light up and the following message will appear on the display:



2

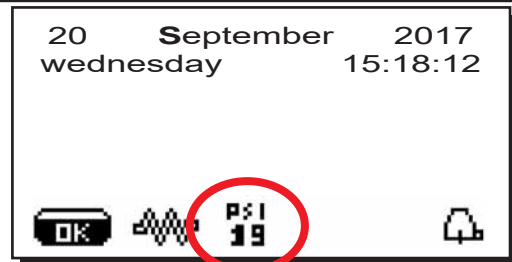
If the water level in the boiler is lower than the minimum limit, the boiler will be filled to the right level. At the end of this phase, the **OK** icon will appear in the lower left hand corner of the display.
 The preset working pressure must be reached before the machine is ready for use.

If one of the **START STOP** keys is pressed during this phase, coffee will be served at the temperature reached at that moment.
 If any dispensing key is pressed, the following message will appear on the display:





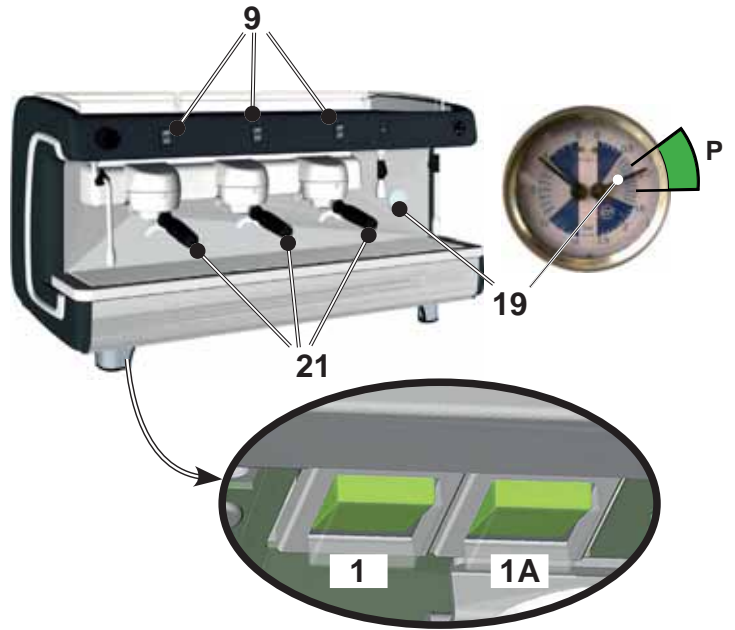
3

While waiting for the machine to be ready for use, insert the filter holders in the units.
 The machine is ready to work when the display indicates the working pressure:

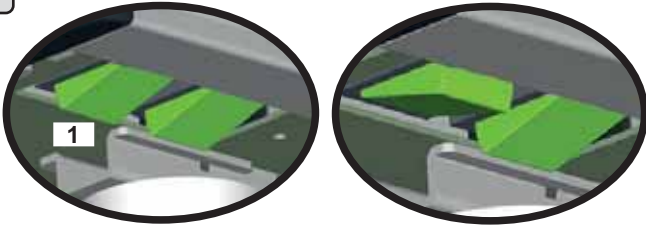





 **CAREFULLY PAY ATTENTION TO THE SEQUENCE FOR ACTIVATING THE SWITCHES (1) AND (1A).**

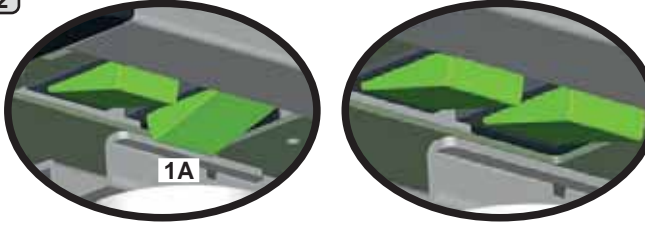




1



Press the luminous main switch (1) into position ; the related indicator light switches on and the key also light up. If the water level in the boiler is lower than the minimum limit, the boiler will be filled to the right level, indicated by restored pressure in the manometer-pump.

2



ONLY AFTER the boiler filling process has been completed should you press the light switch that activates the resistance (1A) into position ; the related indicate light switches on and the heating phase begins. Wait until the operating pressure (approx. 17psi - 1.2 bar) appears on the manometer (19). At this point, the machine is ready for use.

During heating, if one of the coffee dispensing push buttons is pressed, the machine dispenses a coffee at the temperature reached at the time.

Heating is completed when the boiler gauge indicator (19) remains stable in the P green area.

The machine is now ready to dispense coffee, steam and hot water.

To make sure that the dispenser unit and the filter holder (21) are at similar temperatures, press the coffee dispensing push button (9) and let the machine dispense coffee for a few seconds. Then press again the push button (9) to stop dispensing.

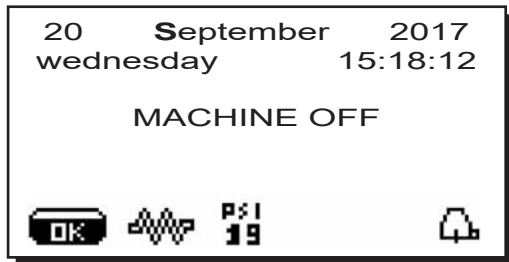


only DT version with display

AUTOMATIC SWITCH OFF / SWITCH ON

The machine can be set to switch off and switch on at programmed times. Consult the “**Service time menu**” chapter to set the “**ON Time**” switch-on time and the “**OFF Time**” switch-off time.

When a service time is set, the machine automatically switches off at the programmed time. During the automatic switch-off phase, the following message will appear on the display:



Note. When the machine is working in the automatic on/off function do not use the general switch (1) to switch off the machine. If this happens, the machine will not be able to switch on again automatically.

The machine switches on automatically at the programmed time. The messages displayed and the operations performed by the machine are the same as those described in the paragraph “**MANUAL POWERING**”.

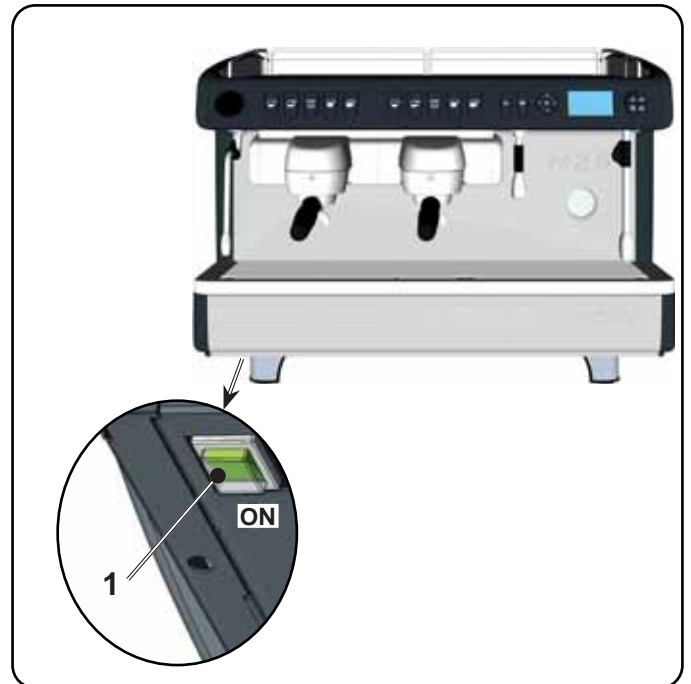
ENERGY SAVING STANDBY

When the machine is switched off, it can be set to the ENERGY SAVING mode.

When this function is enabled, the machine resistance is not completely disabled and keeps the boiler pressure at 2.9 psi (0.2 bar).

NOTE. If the day after turning off in energy saving mode is set as “day closed”, the machine turns off completely for 24 hours, and returns to maintaining 2.9 psi (0.2 bar) pressure in the boiler at the end of the closed day.

Please consult the chapter “**Service time menu**” for setting this function.



English

ENERGY SAVING MODE

The ENERGY SAVING function can also be enabled manually if you press the key and hold it for several seconds **OK**.

During this phase:

- If the boiler pressure is set at a value exceeding 17 psi (1.2 bars), the pressure is lowered to 12 psi (0.8 bar);
- If the boiler pressure is set at a value below 17 psi (1.2 bars), the pressure is lowered by 6 psi (0.4 bar) below the set value.

Press any dispensing key to exit the ENERGY SAVING mode and return to the machine work phase.

FORCED SWITCH ON

Press any dispensing key to force the machine on again.

Note. Forcing the machine on does not change the programmed on/off times.

Note. At this point the machine will remain on until the next switch off time is reached.

To immediately return the machine to “off” as originally programmed, switch it off and on again using the general on-off switch (1).



11. Description display symbols (only DT version with display)

English

WATER LEVEL



This symbol indicates the boiler water level. During the loading phase, the bottom part of the icon blinks. When the optimum level is reached, the symbol looks like this:

RESISTANCE



This symbol (dark inside) indicates that the resistance is activated and functioning.

When the boiler pressure reaches the set value, the icon looks like this



(light inside).

When the machine is in operation, the two icons



alternate on the display, indicating the presence of the electric heating.



This indicates that the heating resistance has been disabled.



Note: the customer cannot switch on or switch off the electric heating.

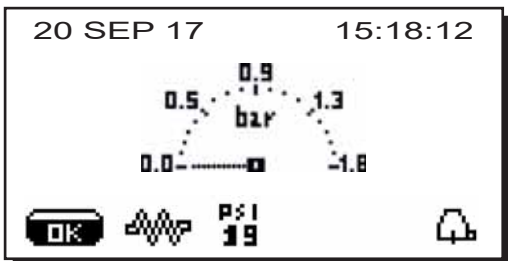
When the on/off function is programmed, the electric heating takes place automatically.

SERVICE BOILER PRESSURE

This symbol indicates the boiler pressure value.



If the ◀ key is pressed for about 3", the pressure gauge will be displayed analogically. This will be shown on the display:



Press and hold down the ◀ key for about 3 seconds to return to the regular display mode.



This symbol indicates that the machine is pre-heating or the boiler pressure has dropped below 7 psi (0.5 bar).

For the duration of this phase, the display alternates this symbol with the one indicating the boiler pressure. The machine has reached the set work pressure and temperature when the icon disappears from the display.

CUP-WARMER (*)



These symbols indicate the power currently selected by the cup warmer. no symbol = OFF

= maximum power symbol

WIFI (*)

WIFI connection symbols:



- network present but not connected;



- connected to the network.

BLUETOOTH (*)

These symbols refer to Bluetooth communication:



- the icon indicates the presence of the Bluetooth module on the machine;



- the icon indicates that the machine is communicating with a Bluetooth grinder/dispenser.

USB



This symbol appears on the display when a USB pen drive is connected.

SD (*)



This icon indicates the presence of an SD micro chip in the CPU board of the machine.

TECHNICAL PROGRAMMING MENU



This symbol indicates that the technical programming menu can be accessed.

(*) The components - * - are applied only in some product configurations



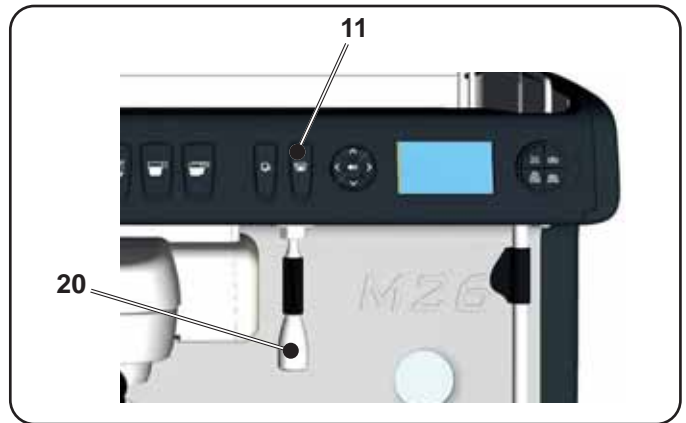
12. Changing the water in the boiler (only DT version with display)



The water in the boiler must be changed at least once a day.

NOTE: the "WATER CHANGE" function can be programmed by the technical personnel: in this case, the request message appears at the time set and the water change cycle cannot be interrupted.

Ensure that the indication on the display (where present) corresponds to the working pressure value.
Keep the hot water distributor key (11) pressed down for approximately 5 seconds.
The following message will be displayed: "WATER CHANGE...%". The water from the boiler will drain from the hot water nozzle (20) (60 - 70% ca. of the total capacity).
The boiler resistance and all dispensing keys will be disabled.



Dispensing will stop automatically (Note. The delivery can be interrupted in whichever moment by means of the push button 11).
After the procedure, the machine will return to its normal functions and the boiler will be refilled with fresh water.

13. Cup Warmer (where applicable)



CAUTION: do not cover the cup warmer tray with any type of cloth.

The machines have a cup tray (3) for stocking the cups. Only place cups and glasses used with the coffee machine on the cup tray. **No other objects must be placed on the tray.**

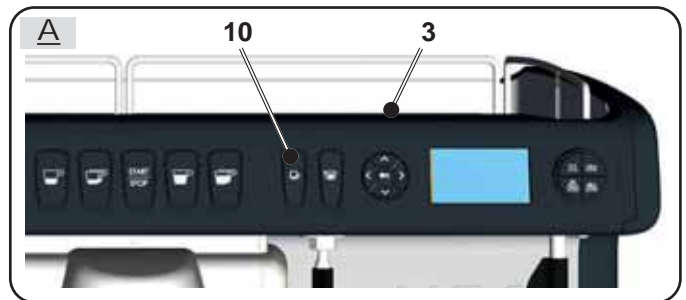
Thoroughly drain the cups before placing them on the tray.

A version. Note. The heating of the cup-warmer tray (3) is deactivated during the automatic switch-off phase. The condition in effect at the time when the machine was switched off will be restored the next time the machine automatically switches on.




By activating the ENERGY SAVING, mode the cup-warmer is automatically set to Level 1.

To activate the resistance of the cup warmer tray (23) press button (22); to change the cup-warmer power, press the

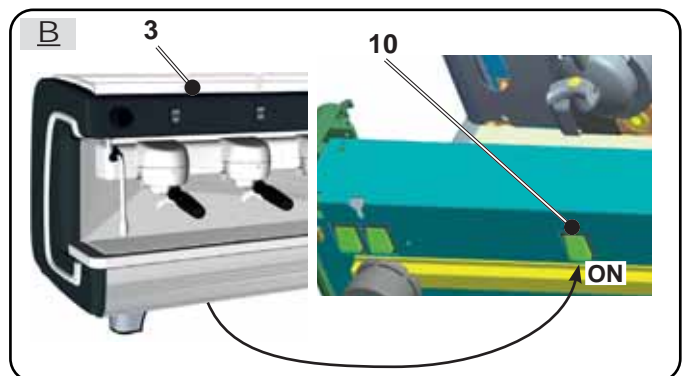
B version. Press the button (10) and check to see that the light turns on.



(22) key a number of times.

-  = maximum power symbol
-  = medium power symbol
-  = minimum power symbol
- no symbol = OFF

Therefore, to disable tray heating (23), press the key (22) several times until no symbol is visible on the display.





14. Coffee dispensing

Unhook filter holder and empty the coffee grounds of the previous coffee in the dregs drawer.


Fill the filter with one dose of ground coffee in the case of the 1-cup filterholder with conical filter or with two doses of ground coffee in the case of a 2-cup filterholder with cylindrical filter.


Uniformly press the ground coffee in the filter holder by means of the pressing disc of the grinder.

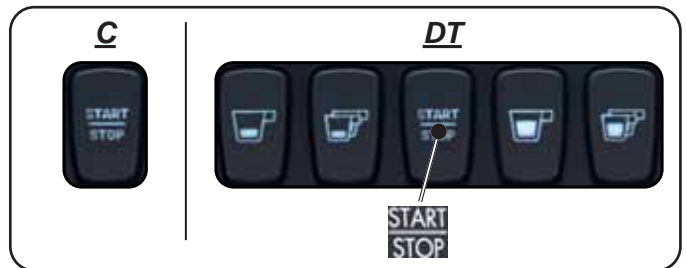
Clean the filter rim in order to eliminate the eventual ground coffee.


Hook filterholder to the group and put one or two cups underneath of the delivery spouts of filter holder.


DT version. Press the coffee dispensing key corresponding to the preferred dose. The LED corresponding to the selected key will remain lit and the coffee will be dispensed. It will stop automatically.

Press the push button  for continuous dispensing.

Dispensing, whether for dosed servings or in the continuous dispensing mode, can be interrupted at any time by pressing the push button .



C version. Press the coffee dispensing button  and dispense.

When the desired dose is obtained, press button  again to stop dispensing.



Do not remove the filter holder before the coffee dispensing has completed.

15. Hot water dispensing



Scalding hazard! Use the appropriate insulating devices (A) to move the water and steam nozzles.

The dispensing of hot water is controlled by the economizer which permits mixing hot water from the boiler with fresh cold water from the mains and controls its temperature.

With this system, water quality is improved and assures the best results for the operator.

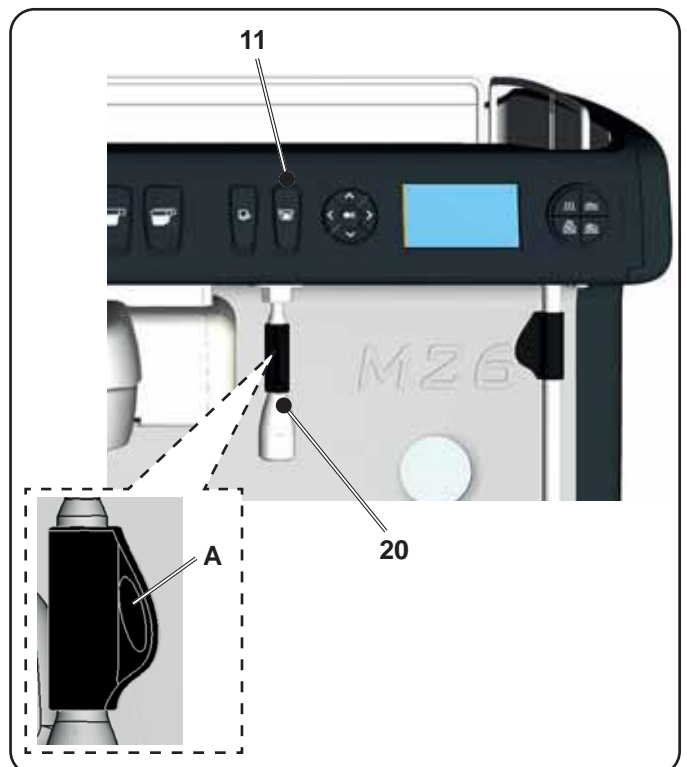
Place the appropriate container under the hot water dispenser (20).

Press the hot water dispensing key (11).

The programmed dose of hot water will pour from the dispenser (20) and will stop automatically.

NOTE:

- Dispensing can be interrupted at any time by pressing the key (11).
- The adjustment of the economizer for regulating the delivered water temperature is made by the installing service technician.





Programming measures using the "SELF-LEARNING" function (DT Version without display)

The water doses for coffee and the hot water doses can also be set using the "SELF-SETTING" function:

press and hold the START/STOP button for at least 8 seconds or until you hear a buzzer sound that will keep sounding throughout the programing.



Coffee measures

- 1 - Fill the filter-holder with the required dosage of ground coffee and insert it in the dispenser unit.
- 2 -Put the cup or container under the filter-holder spouts and press the button to be programmed. Keep it pressed until the desired level is reached in the cup or container.

Hot water measures

- 1 - Press the button to be programed and keep it pressed until the desired level is reached in the cup.



- 3 - Starting from step 1, continue programing, as desired, on all the coffee buttons.

- 2 - Starting from step 1, continue programing, as desired, on all the water buttons.

When finished, press the START/STOP button. The buzzer will turn off, thus confirming that the programing has been completed.

16. Steam dispensing

Scalding hazard! Use the appropriate insulating devices (A) to move the water and steam nozzles.

Heating milk for frothy coffee (cappuccino)

General indications

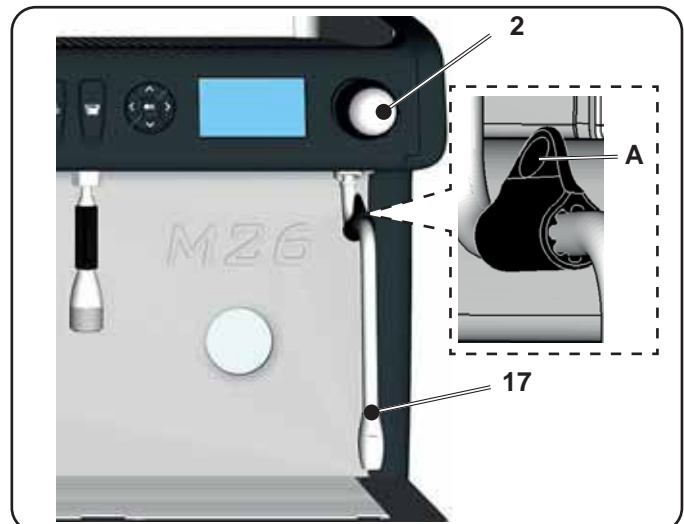
Milk is a delicate biological product and can easily deteriorate. Heat modifies its structure. Milk must be kept at a storage temperature **no higher than 41°F (5°C)** from the moment the container is opened and throughout its entire period of use. Our storage appliances are suitable for this purpose.

NOTE: at the end of the work day (or not more than 24 hours from the time the container is opened), any remaining milk must be discarded.

Steam dispensing with knob control

The steam frother system (2) is suitable for beverages that need to be mixed because the steam flow can be gradually opened.

Insert the steam dispensing wand (17) in a suitable container. Open the steam and close it when the beverage is heated.



Scalding hazard! **Cleaning of steam dispensing pipes** At the conclusion of each steam dispensing phase:

- Using a clean sponge, wash with hot water removing any organic residue present. Rinse carefully.
- clean the inside of the steam nozzle as follows: Turn the nozzle towards the cup tray and carefully activate steam dispensing at least once.



16.1 Dispensing with the Turbosteam selector (2a) (where applicable)

Scalding hazard! Use the appropriate insulating devices (A) to move the water and steam nozzles.

Heating milk for frothy coffee (cappuccino)

General indications

Milk is a delicate biological product and can easily deteriorate. Heat modifies its structure. Milk must be kept at a storage temperature **no higher than 41 °F (5 °C)** from the moment the container is opened and throughout its entire period of use. Our storage appliances are suitable for this purpose.

NOTE: at the end of the work day (or not more than 24 hours from the time the container is opened), any remaining milk must be discarded.

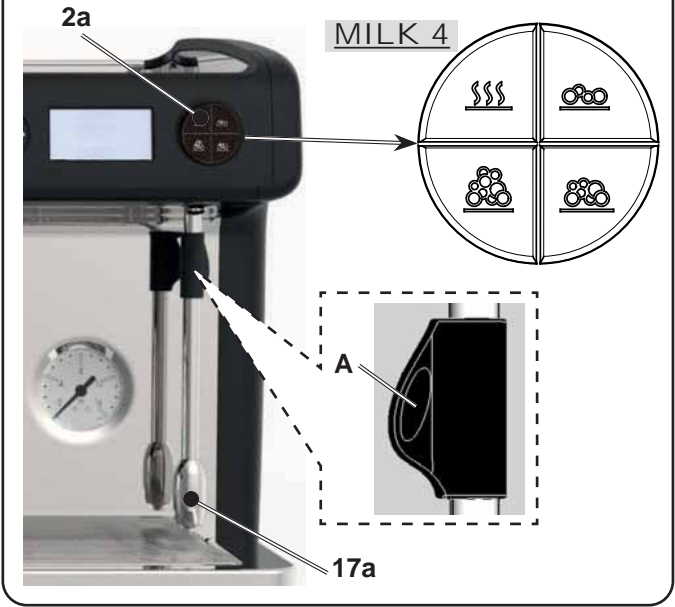
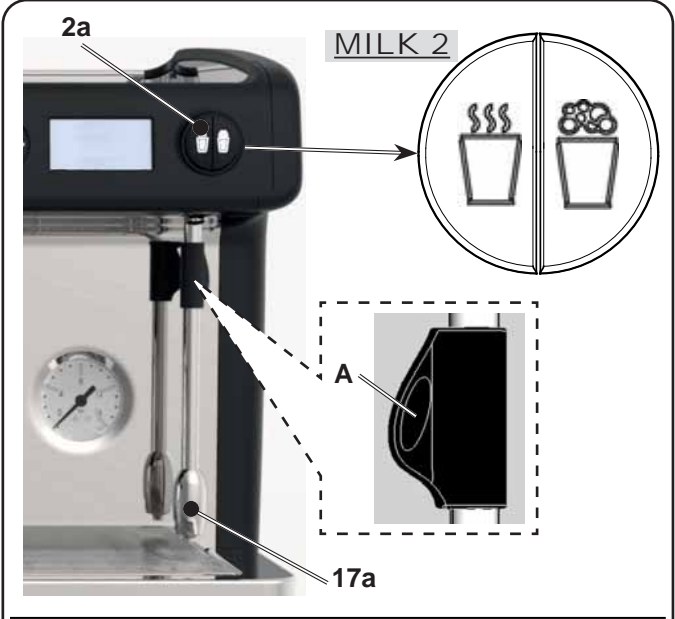
Dispensing with the Turbosteam selector (2a)
(where applicable)

Machines equipped with the TURBOSTEAM (STOP STEAM) dispensing system have the "stop steam dispensing when set temperature is reached" function, and can rapidly heat and froth milk.

The Turbosteam selector keys have different functions according to the following configuration:

MILK 2	MILK 4
frothed milk;	heated milk;
heated milk.	frothed milk (low froth);
	frothed milk (medium froth);
	frothed milk (high froth);

Insert the steam nozzle (17a) into a suitable container, making sure the bulb is completely immersed in the milk. Choose the type of milk you prefer and press the related key. Once the set temperature has been reached, steam dispensing will stop automatically. Dispensing can be interrupted at any time by pressing any Turbosteam selector key (2a).



Cleaning of steam nozzles



- After each use:**
- Using a clean sponge, wash the outside with hot water removing any organic residue present. Rinse carefully.
 - clean the inside of the steam nozzle as follows: turn the nozzle towards the cup tray and carefully activate steam dispensing at least once.



17. Machine customisation (can be activated by the TECHNICAL staff)

In some product configurations only.

Control of the flow

The control of the flow monitors the flow of coffee compared to the corresponding reference flow set by the technician.

When this system is active, should it be necessary, the machine notifies the user that adjustment needs to be made to the grinder-dispenser to tighten or loosen the grinding, in order to return the coffee dose to the correct parameters.

The user is notified by an animated icon which appears on the services display instead of the level symbol.

When the icon appears for the first time, a buzzer will sound.

The icons that are shown are:



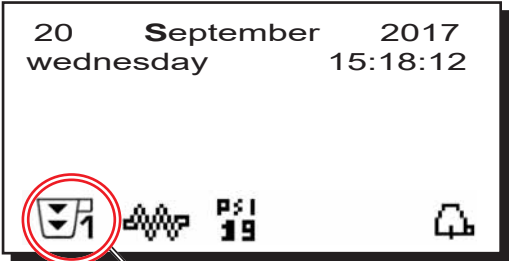
means that the grinder needs to be loosened. (flow of coffee is lower than the reference).



means that the grinder needs to be tightened. (flow of coffee is greater than the reference).

Note. The number next to the icon (1 or 2) indicates the grinder-dispenser that must be adjusted.

After adjusting the grinder-dispenser, the icon disappears automatically when the flow returns within the set limits. It may be necessary to dispense a few times to achieve this



English

BDS - Barista Drive System

The BDS System is composed of a coffee machine and by one or two motorised grinder-dispensers connected via Bluetooth.

Every dispensing button on the machine can be configured based on the type of recipe and the relative grinder-dispenser.

The purpose of the BDS System is to guide the user in coffee grinding and dispensing operations, making the operations simple and intuitive.

Activation and configuration of the system is carried out by technical staff.

OPERATING LOGIC

The grinder-dispenser recognises the filter holder and sends a signal to the machine that enables the coffee buttons making the operations easy and user-friendly.

The barman positions the filter holder associated with a mixture. The grinder-dispenser recognises the type of filter holder dispensing the correct quantity of ground coffee and at the same time signals the machine which selection to enable for the preparation of the beverage.

The barman at this point only needs to attach the filter holder and press the button enabled to dispense.



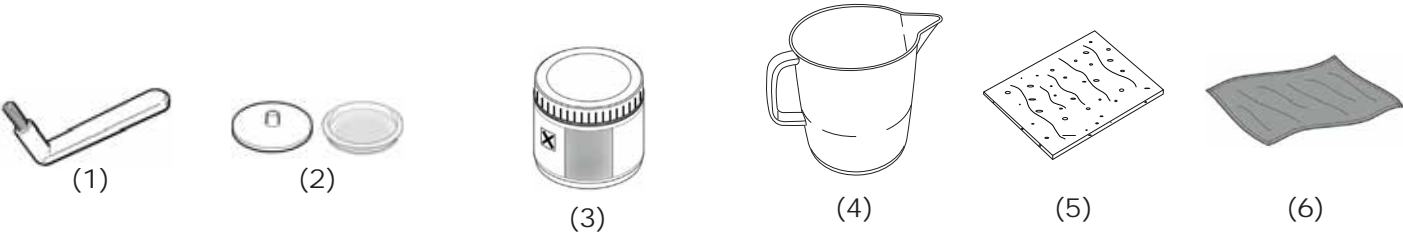


18. Cleaning and maintenance

For correct application of the food safety system (HACCP), please follow the instructions in this paragraph. Washing must be carried out using original "Service Line" products, see details on the last page. Any other product could compromise the suitability of the materials which come into contact with food products.

English

GENERAL OVERVIEW OF CLEANING INTERVALS					
	EVERY USE	DAILY	WEEKLY	WHEN NECESSARY OR REQUESTED VIA SW	TOOLS TO USE
COFFEE CIRCUIT		√		√	• brush (1) • rubber disk (2) • detergent powder (3)
COFFEE GROUPS		√			• brush (1)
BOILER WATER CHANGE		√		√	
FILTER HOLDER		√			• container (4) • detergent powder (3) • sponge (5)
STEAM PIPE	√	√			• sponge (5)
AUTOMATIC STEAM PIPE	√	√			• sponge (5)
WATER PIPE		√			• sponge (5)
GRILLE AND BASIN		√			• sponge (5)
DRAINING TRAY			√		• container (4) • sponge (5)
BODYWORK		√		√	• soft cloth (6)



For cleaning operation details, see the dedicated sections on the following pages.



Procedure to follow at the end of the working day on all groups or when signalled by the machine.

COFFEE CIRCUIT CLEANING CYCLES

The purpose of the flushing cycle is to remove all traces of grease and scaling deposited when the coffee is dispensed. Failure to flush out the circuit will allow these deposits to solidify. This will impair the qualitative performance of the coffee circuit.

NOTE: the following operations must be carried out when the machine is on and pressurized.

Groups of DT version with display

COFFEE CIRCUIT

ATTENTION, RISK OF SCALDING: During the wash cycles, hot water and steam will exit from the groups.

If the machine sends the warning message, "EXECUTE COFFEE WASHING" will appear on the display. This request will continue to appear for one hour or until the wash cycle is performed.

The coffee circuit can be washed in different ways:

- simultaneous: all groups are washed at the same time.
- sequential: each group is washed separately and in sequence. It is therefore possible to continue using the groups not involved in the washing process;

Note: The simultaneous washing mode lasts 7 minutes. The single washing mode lasts 7 minutes for each coffee dispenser group.

A third type of washing cycle can also be carried out:

- single: The washing cycle can be made on a specific group without having to wash the remaining ones. Groups not involved in the washing cycle can still be used during that time.

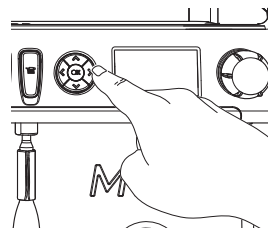
Note: The single washing cycle cannot be carried out if the machine launches a warning message.

Note. Once the wash cycle is underway, it CANNOT be stopped, even if the machine is switched off. If there is a power failure, when power is returned the message "EXECUTE WASHING" will be displayed. Complete the cleaning operations as described previously.

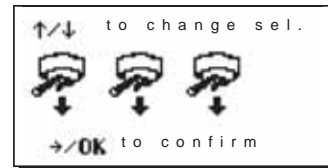
Note: If no wash-cycle messages appear and the machine is used frequently, a wash cycle can be

performed at any time:

Press the key:



Use the up and down keys to position the cursor (black line) on the desired line, then press the right key.



It is possible to exit the washing selection panel by pressing the left key.

The wash cycles performed without request by the machine can be interrupted by switching off and switching back on the machine.

Programmed wash cycles that are not carried out will be memorized by the machine.

NOTES. The technical personnel has the ability to enable or disable the "block" function.

With "block" enabled, if the washing cycle is not performed within an hour, the machine prevents beverages from being dispensed.

To perform the washing cycles, follow the steps on the next pages.



SIMULTANEOUS WASHING



Do not remove the filter holder during coffee dispensing.

English

1

Remove the filter holder from the coffee group.

2

Using a brush, clean the cover gasket.

3

Press the ► key.

4

* CUSTOMER PROG.
KEY MENU
WASHING
DATA MENU
CUSTOMER

Use the ▲ and ▼ keys to position the cursor (black line) on the desired line, then press the ► key.

5

↑/↓ to change sel.
→/OK to confirm

The simultaneous washing screen (preset mode) will appear on the display.

6

21 SEP 17 15:15
INSERT. FILTER HOLDER
push ►
to confirm

Confirm the washing mode using the key **OK**; the screen will display:

7

Insert the rubber disk into the filter-holder with its filter.

8

Pour in 5 g of detergent powder, equal to about one teaspoon.

9

Hook all the filter holders to the groups.

10

Press the ► key.

11

21 SEP 17 15:15
GR... WASH

The wash cycle will start and the "GR... WASH" message will appear in alternated way on the display.

12

21 SEP 17 15:15
REMOVE FILTER HOLDER
push ►
to confirm

At the end of wash cycle, the message "REMOVE GROUP FILTER HOLDER" will appear.

13

Remove the filter holders.

14

Press the ► key.

15

21 SEP 17 15:15
GR... RINSE

The message "GR... RINSE" will appear in alternated way on the display.

16

21 SEP 17 15:15
GR... RINSE

The washing cycle is complete after the rinsing phase.



SEQUENTIAL WASHING



Do not remove the filter holder during coffee dispensing.

1

Remove the filter holder from the coffee group.

2

Using a brush, clean the cover gasket.

3

Press the ► key.

4

* CUSTOMER PROG.
KEY MENU
WASHING
DATA MENU
CUSTOMER

Use the ▲ and ▼ keys to position the cursor (black line) on the desired line, then press the ► key.

5

↑/↓ to change sel.
→/OK to confirm

The simultaneous washing screen (preset mode) will appear on the display.

6

↑/↓ to change sel.
→/OK to confirm

Use the ▲ and ▼ keys to pass to the *Sequential Washing cycle*. The scrolling icons of the machine groups will appear on the display.

7

Confirm the washing mode using the key **OK**; the screen will display:

21 SEP 17 15:15
INSERT. FILTER HOLDER
GROUP 1
push ►
to confirm

8

Insert the rubber disk into the filter-holder with its filter.

9

Pour in 5 g of detergent powder, equal to about one teaspoon.

10

Hook the filter holder to Group 1.

11

Press the ► key.

12

21 SEP 17 15:15
GR 1 WASH

The Group 1 wash cycle will start and the "GR1 WASH" message will appear on the display.

13

21 SEP 17 15:15
REMOVE FILTER HOLDER
GROUP 1
push ►
to confirm

At the end of the group 1 wash cycle, the message "REMOVEFILTERHOLDER GROUP 1" will appear.

14

Remove the filter holder.

15

Press the ► key.

16

21 SEP 17 15:15
GR 1 RINSE

The message "GR1 RINSE" will appear.

17

21 SEP 17 15:15
GROUP 2 WASH
push ►
to confirm

18

At the end of the group 1 rinse cycle, the message "EXECUTE GROUP 2 WASH" will appear.

18

Repeat the operations described above for all machine groups.



SINGLE WASHING: Cannot be carried out if the machine launches a warning message.



Do not remove the filter holder during coffee dispensing.

English

1

Remove the filter holder from the coffee group.

2

Using a brush, clean the cover gasket.

3

Press the ► key.

4

* CUSTOMER PROG.
KEY MENU
WASHING
DATA MENU
CUSTOMER

Use the ▲ and ▼ keys to position the cursor (black line) on the desired line, then press the ► key.

5

↑/↓ to change sel.
→/OK to confirm

The simultaneous washing screen (preset mode) will appear on the display.

6

↑/↓ to change sel.
→/OK to confirm

Use the ▲ and ▼ keys to pass to the *Single Wash*. A rectangle will highlight the group that will be washed.

7

↑/↓ to change sel.
→/OK to confirm

Use the ▲ and ▼ keys to choose the group to be washed.

8

21 SEP 17 15:15
INSERT. FILTER HOLDER
GROUP 3
push ►
to confirm

Confirm the choice (for example, group 3), using the key and **OK**. The screen will display:

9

Insert the rubber disk into the filter-holder with its filter.

10

Pour in 5 g of detergent powder, equal to about one teaspoon.

11

Hook the filter holder to Group 3.

12

Press the ► key.

13

21 SEP 17 15:15
GR3 WASH

The Group 3 wash cycle will start and the "GR3 WASH" message will appear on the display.

14

21 SEP 17 15:15
REMOVE FILTER HOLDER
GROUP 3
push ►
to confirm

At the end of the group 3 wash cycle, the message "REMOVEFILTERHOLDER GROUP 3" will appear.

15

Remove the filter holder.

16

Press the ► key.

17

21 SEP 17 15:15
GR3 RINSE

The message "GR3 RINSE" will appear.

18

21 SEP 17 15:15
REMOVE FILTER HOLDER
GROUP 3
push ►
to confirm

The washing cycle is complete after the rinsing phase.

19

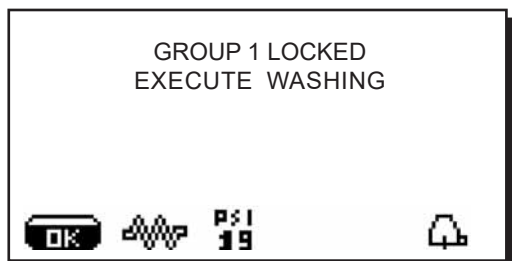
Repeat these steps for the groups you want to wash.



BLOCK FUNCTION

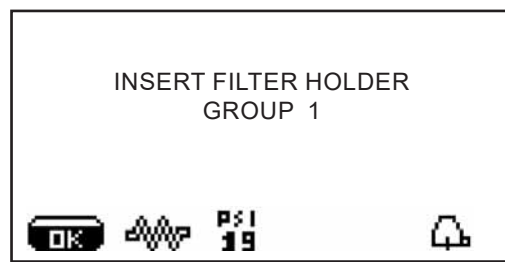
When the machine is blocked, a warning message appears on the display: if the key ► is pressed and the instructions on the display are followed, the wash cycle is performed and the machine is no longer blocked.

For example, if there is a "coffee block", the following message appears on the display:



The number of the "blocked group" blinks on the display and depends upon the number of machine groups.

If the ► key is pressed, the previous message will be integrated as shown:



When the "INSERT FILTER HOLDER - GROUP 1" message appears, the block message for Group 1 disappears. The block messages for groups still to be washed appear in alternation.

At this point, follow the steps on the previous pages for the wash cycle.

CHANGING THE WATER IN THE BOILER - Procedure to carry out at least once a day

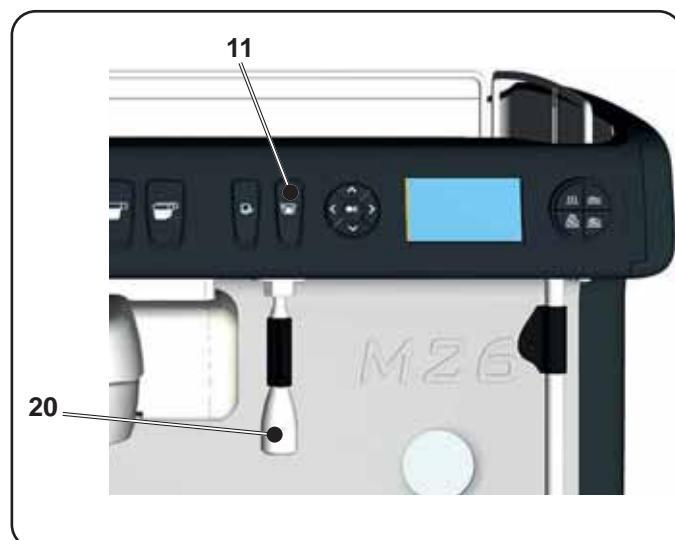
DT version with display. Keep a hot water distributor key (11) pressed down for approximately 5 seconds.

The following message will be displayed: "WATER CHANGE ...%". The water from the boiler will drain from the hot water nozzle (20) (60 - 70% ca. of the total capacity).

Dispensing will stop automatically.

After the procedure, the machine will return to its normal functions and the boiler will be refilled with fresh water.

C version / DT version without display. Continuously dispense hot water (pressing the appropriate button) until at least 5 liters of water have been used for a machine with 2 groups, and 8 liters for a machine with 3 groups.





Groups of DT Version without display



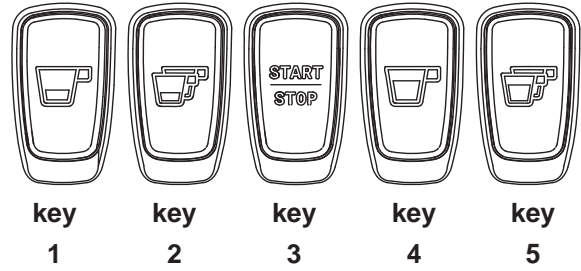
Operation to be carried out on all groups at the end of each working day.

Guided procedure for simultaneously washing coffee groups in machines without displays or settings keyboards.

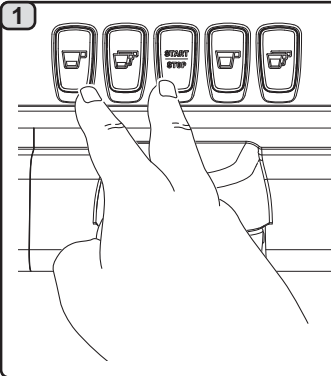


The function is available only if, on switching on the machine, a sequence of 5 "beeps" can be heard coming from the buzzer on the electronic board.

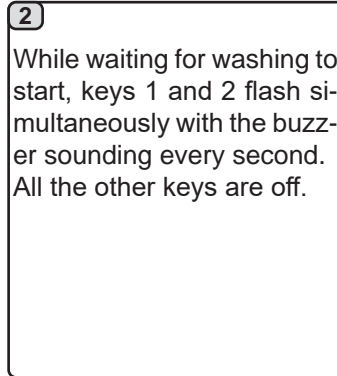
Group keyboards



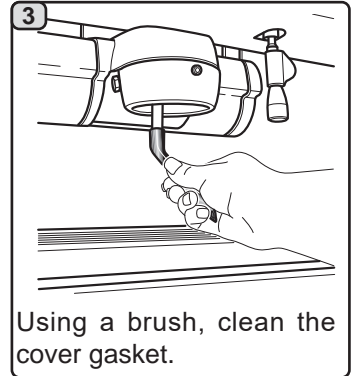
English



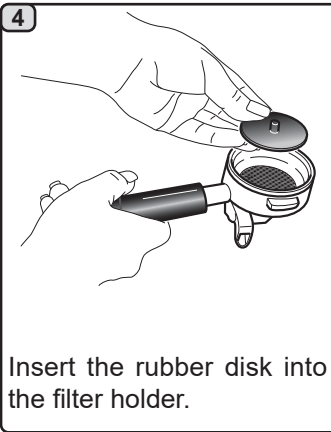
To activate the washing function, turn on the machine while pressing keys 1 and 3 of the coffee groups. This must be done within the first 5 seconds of the beep sequence.



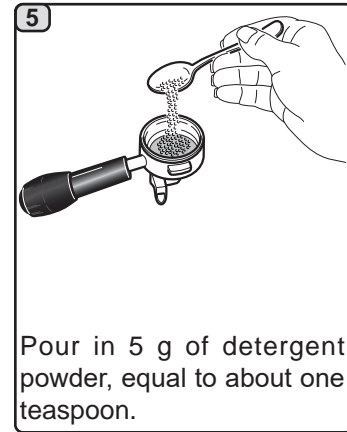
While waiting for washing to start, keys 1 and 2 flash simultaneously with the buzzer sounding every second. All the other keys are off.



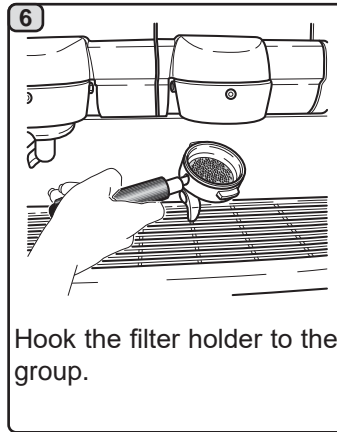
Using a brush, clean the cover gasket.



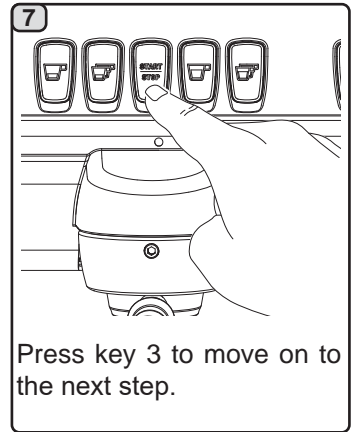
Insert the rubber disk into the filter holder.



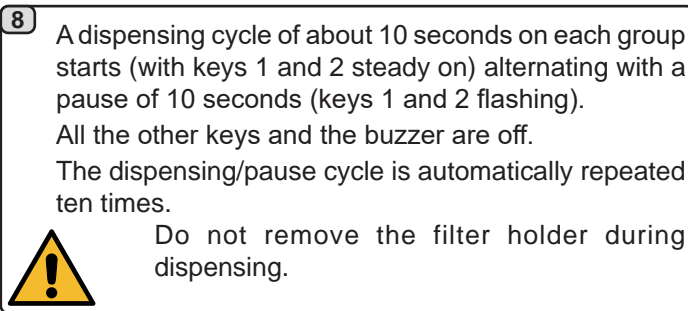
Pour in 5 g of detergent powder, equal to about one teaspoon.



Hook the filter holder to the group.



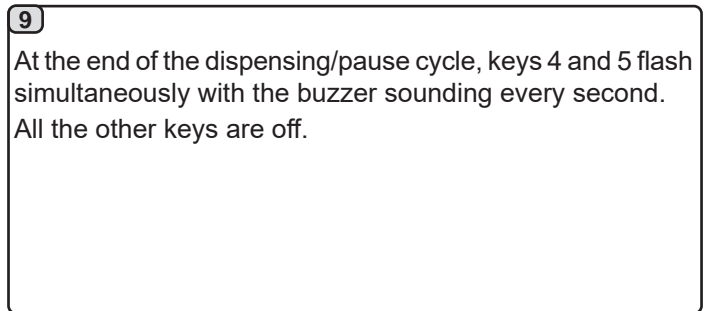
Press key 3 to move on to the next step.



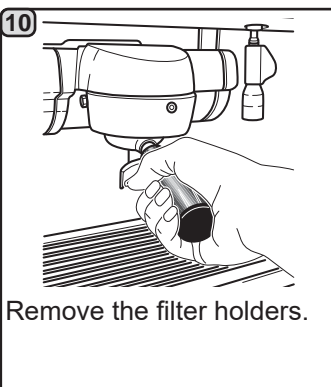
A dispensing cycle of about 10 seconds on each group starts (with keys 1 and 2 steady on) alternating with a pause of 10 seconds (keys 1 and 2 flashing). All the other keys and the buzzer are off. The dispensing/pause cycle is automatically repeated ten times.



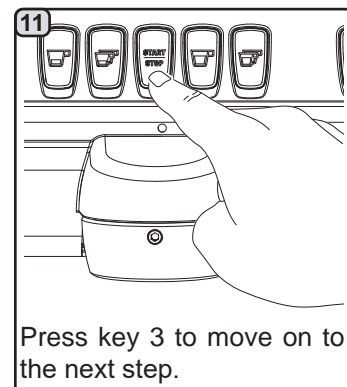
Do not remove the filter holder during dispensing.



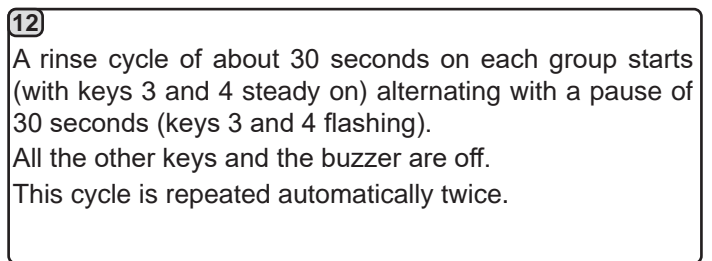
At the end of the dispensing/pause cycle, keys 4 and 5 flash simultaneously with the buzzer sounding every second. All the other keys are off.



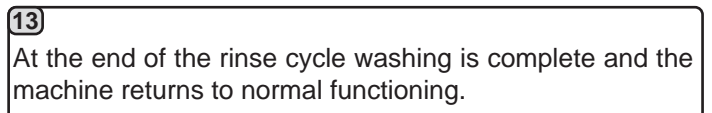
Remove the filter holders.



Press key 3 to move on to the next step.



A rinse cycle of about 30 seconds on each group starts (with keys 3 and 4 steady on) alternating with a pause of 30 seconds (keys 3 and 4 flashing). All the other keys and the buzzer are off. This cycle is repeated automatically twice.



At the end of the rinse cycle washing is complete and the machine returns to normal functioning.

NOTE: To interrupt the wash cycle the machine must be turned off: when re-started it will return to automatic functioning.



Groups of C version



Operation to be carried out on all groups at the end of each working day.

1

Remove the filter holder from the coffee group.

2

Using a brush, clean the cover gasket.

3

Insert the rubber disk into the filter-holder with its filter.

4

Pour in 5 g of detergent powder, equal to about one teaspoon.

5

Attach the filter-holder to the dispenser unit.

6

Press the START/STOP button and press it again after 10 seconds. Repeat this step 10 times.

Do not remove the filter holder during coffee dispensing.

7

Remove the filter holder; Press the START/STOP button and execute the rinse cycle with water for about 30".

FILTER-HOLDERS - This operation must be made on all the filter-holders at the end of each working day

1

Pour one litre of hot water (122÷176°F; 50÷80°C) and 10 g of detergent powder, equal to two teaspoons, in a suitable container that is neither aluminium nor iron.

2

Remove the filters from the filter holders.

3

Soak the filters and the filter holders in this solution for about 15 minutes. **NOTE!** Only immerse the metal parts.

4

Remove any residue with a non-abrasive sponge and rinse well with running cold water.

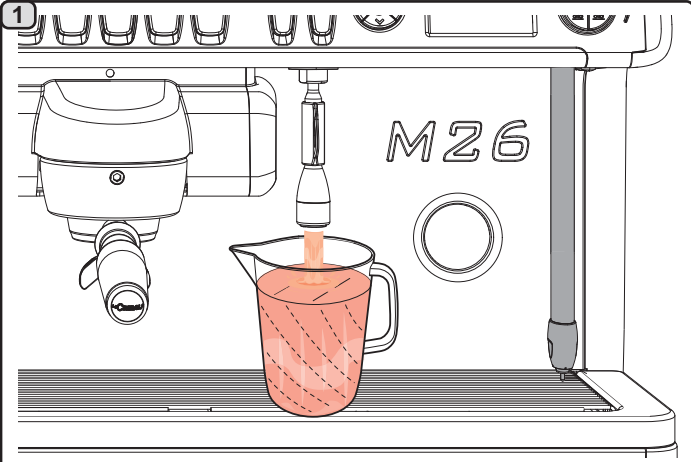
5

Place the filters back in the filter holder, making sure that the anchoring spring (A) of the filter is in its slot.



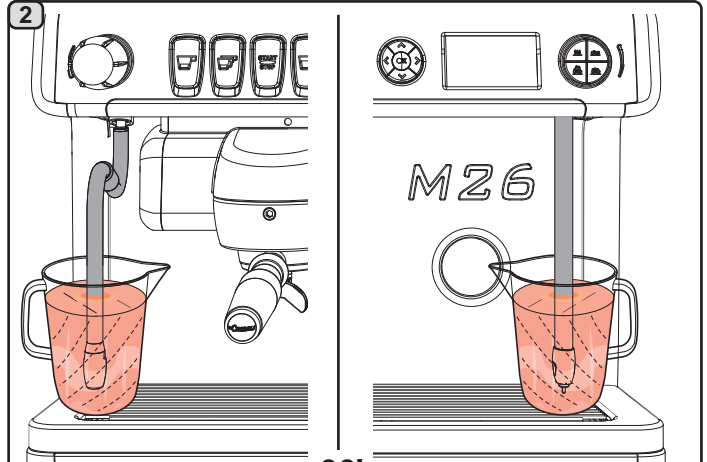
MANUAL/AUTOMATIC CLEANING OF STEAM NOZZLES - Procedure to follow at the end of a working day

English



> 194 °F

Using a suitable container, remove an adequate amount of hot water (> 194 °F) from the boiler, enough to cover the part of the nozzle that comes into contact with the milk.



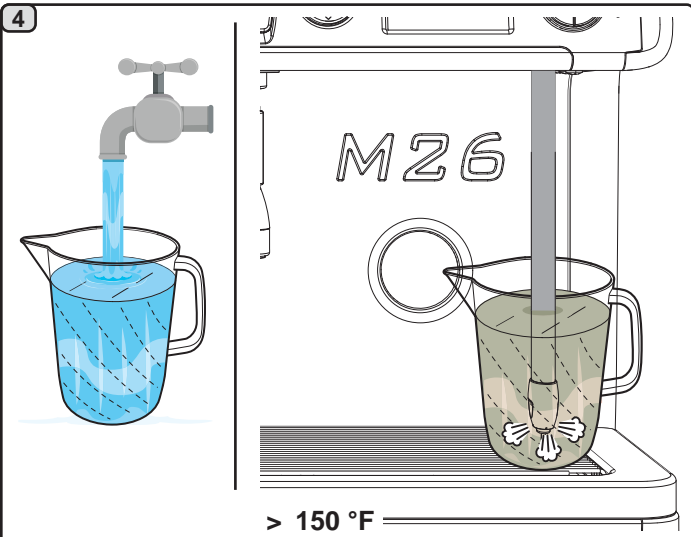
MANUAL

30'

AUTOMATIC

Let the nozzle steep for at least 30 minutes.

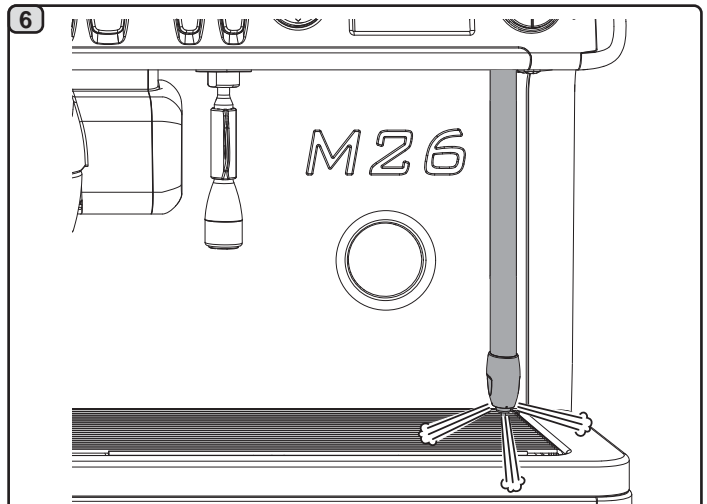
3 Throw the water away and rinse the container thoroughly.



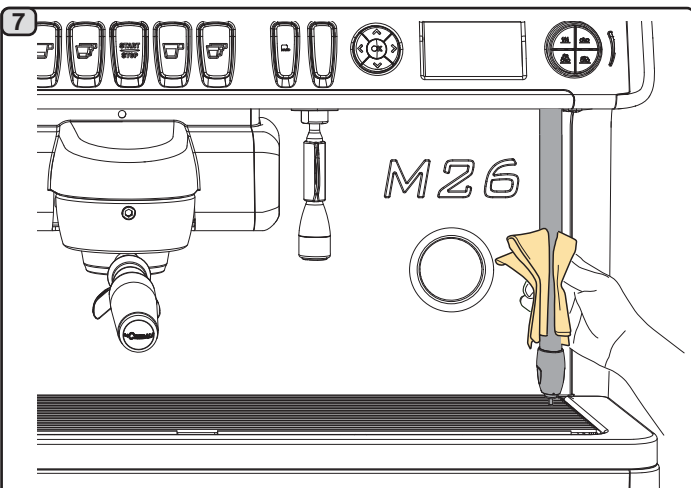
> 150 °F

Using the nozzle, heat an adequate amount of cold water to at least 150 °F, enough to cover the part of the nozzle that came into contact with the hot water used in step 1.

5 Throw the water away and rinse the container thoroughly.



Turn the tube towards the cup tray and very carefully dispense steam for 10 seconds.



Dry the nozzle with a clean, slightly damp sponge that does not leave behind any fibre residue.



DO NOT use abrasive products.

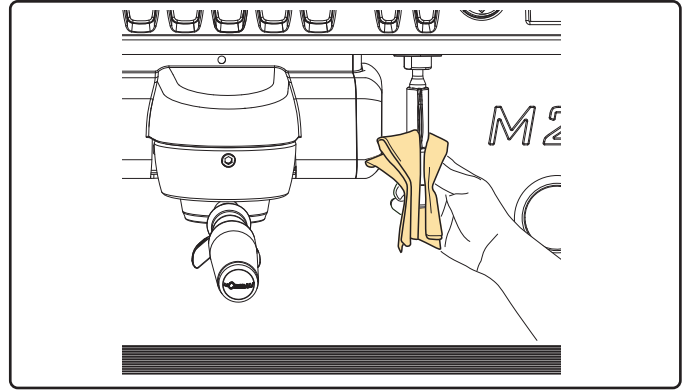


HOT-WATER NOZZLE - This operation must be carried out at the end of each working day

Using a clean sponge, wash with hot water removing any organic residue present. Rinse carefully.



DO NOT use abrasive products.



NOTE: the procedures described below can also be carried out when the machine is switched off.

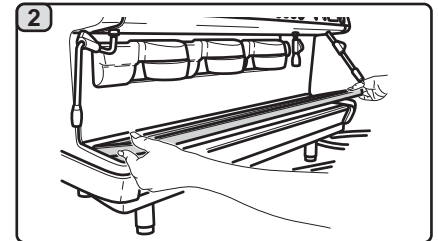
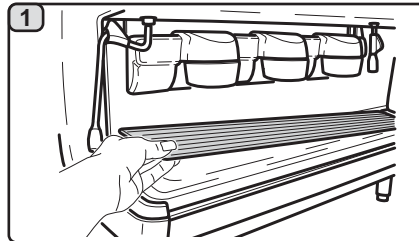
GRILLE AND DRIP BASIN - This operation must be carried out at the end of each working day

1. Remove the grille from the basin.
2. Extract the basin.
3. Rinse the grille and tray under running water.



Danger of burns

DO NOT insert your hands beneath the front panel.



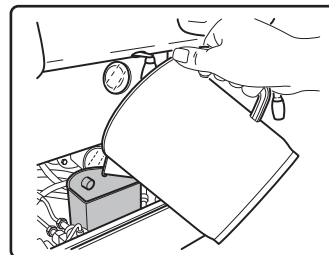
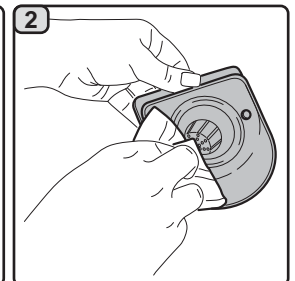
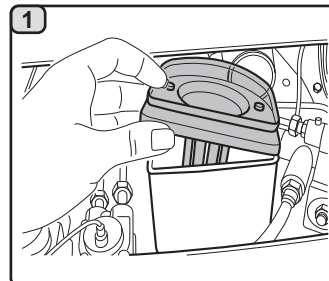
DRAINING TRAY

- This operation must be carried out every 7 days

1. After removing the basin, remove the lid of the draining tray.
2. Remove any residue with a sponge and rinse well with cold water.

- This operation must be carried out at the end of each working day

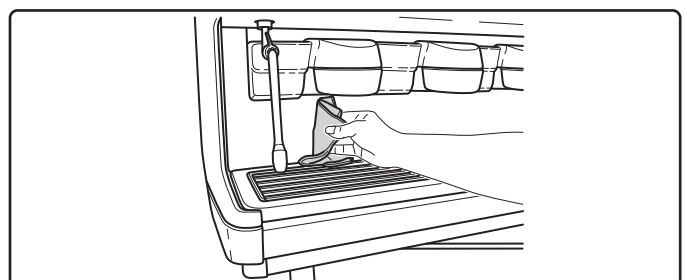
Pour about a litre of hot water into the draining tray to remove any discharge residues.



BODYWORK - This operation must be carried out at the end of each working day

Use a soft cloth and cleaning products **WITHOUT** ammonia or abrasives, removing any organic residue present in the work area.

Note: Do not spray liquids into the panel slots.





19. Defects - Malfunctions

Direct action by the customer

Before calling service personnel, to avoid unnecessary expense, check whether the machine problem corresponds to one of the cases listed below.

PROBLEM	CAUSE	SOLUTION
The coffee machine does not work and the display (16) is blank.	No electricity supply.	Check the electricity supply. Check the position of the main switch (1).
Leaking from the filter holder rim (21).	Underpan gasket dirty with coffee.	Clean using the special brush provided.
Coffee dispensing time too short.	Coffee ground too coarse . Coffee too old.	Use a finer grind. Use new coffee.
Coffee drips out of machine.	Filter holes blocked or filter holder (21) outlet hole dirty. Coffee ground too fine.	Clean. Use a coarser grind.
Loss of water under the machine.	Discharge well clogged up. Discharge basin hole blocked.	Clean. Clean.
Machine heated up, but it does not dispense coffee.	Water supply or water softener tap closed. No water in system.	Open the taps Wait until water is available or call a plumber.
The automatic level-control devices remain in operation.	Same causes as above.	Same solution as above.

Messages in explicit mode

MESSAGE	POSSIBLE CAUSES: when the message is visualized	VERIFICATIONS
Machine cold Please wait	This message will appear on the display if any dispensing icon is pressed every time the machine is turned on until the service boiler pressure falls below the pre-set working pressure.	When the service boiler reaches the pre-set pressure, the message automatically disappears.
Service needed	This message is displayed when the machine requires the periodic maintenance intervention. In order to eliminate temporary the message, keep pressed ◀ key for approximately 8 seconds. The message will reappears in the successive relighting of the machine with the main switch.	Contact the authorized technical department. The message will be displayed until the service will be carried out.
Softener	This message is displayed when the softener resins need to be regenerated. (Follow the instructions on softener maintenance).	Once regeneration has been completed, keep the ◀ key pressed for approximately 8 seconds to cancel out the message.
Change water filter	This message is displayed when the machine requires the substitution of the water filter. In order to eliminate temporary the message, keep pressed ◀ key for approximately 8 seconds. The message will appear again at regular intervals.	Contact an authorised technician. The message will be displayed until the filter has been replaced. Note: the need to to replace the filter is recorded by the machine.
Machine in stand-by	This message is displayed when the machine switch ON/OFF has been programmed. The message indicates that the machine is switch-off and is in stand-by status.	Refer to the Technician's Manual to see how to program the switch ON/OFF of the machine. Press any dispensing button to force the machine on.
Energy saving mode	This message is displayed when the machine is in ECONOMY mode.	Press any dispensing button to exit the ECONOMY mode and return to the machine work phase.
Messages about washings		Please consult this manual at the "Cleaning operations ".

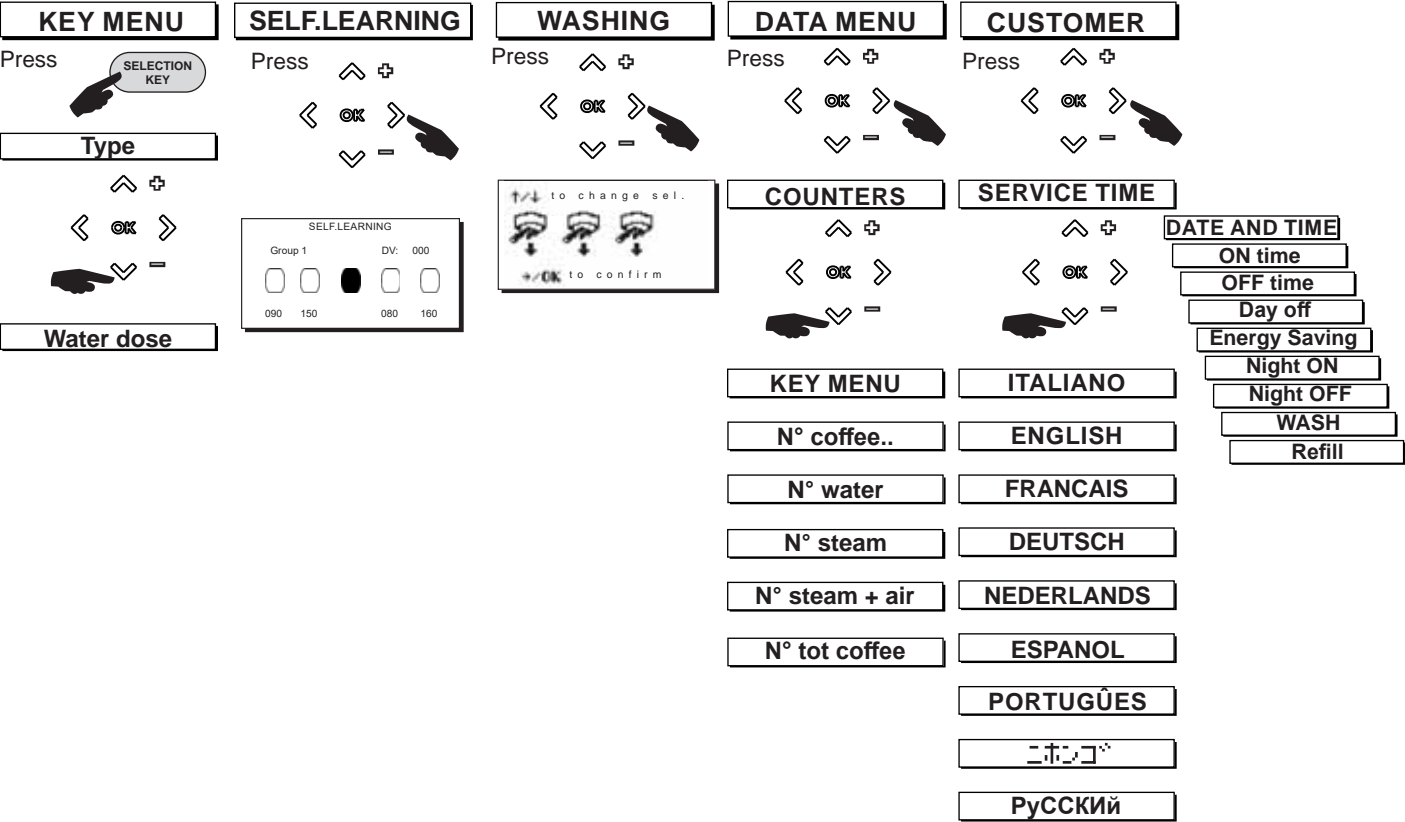


CUSTOMER PROGRAMMING (only DT version with display)

20. Data flow chart



Only if "Prog. cliente" is YES and "Program. block" is NO



EXITING THE PROGRAMMING MENUS

Before exiting the menus:

- Press the **OK** key to confirm any changes made to settings;
- Press the **◀** key to leave settings unchanged



21. Clock adjustment

Use the ▲ and ▼ keys to adjust the clock.
 The time increases (or decreases) one minute each time the key is pressed.
 If one of the keys (▲ or ▼) is pressed and held down for more than 10 seconds, the minutes setting stops and the hours setting increases (or decreases).
 During the time setting phase, the seconds remain at "00".

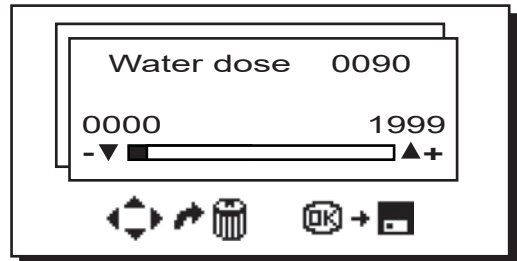
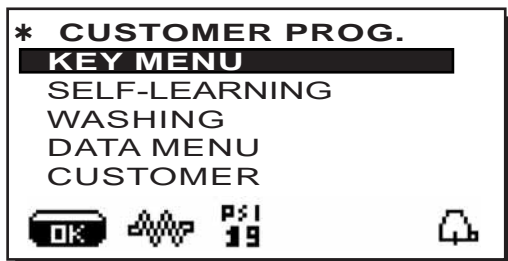


22. How to access the programming mode

N.B. ONLY if the item "Customer Progr." is set on "YES" and the item "Program. block" is set on "NO".

Note: When modifying data, the cursor changes to "→", or a slide bar with maximum and minimum settings will appear:

To access programming press the ► key; the following message will appear on the display:



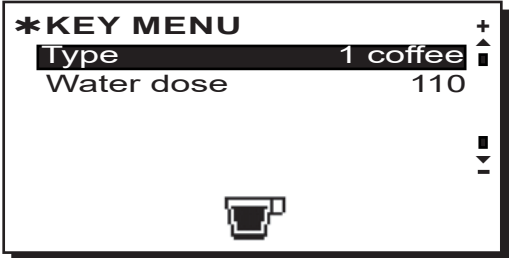
Use the ▲ and ▼ keys to position the cursor (black line) on the desired line, then press the ► key.
 Always use the ▲ and ▼ keys to change the setting; at this point there are two possibilities:

- 1) confirm the changes made by pressing the **OK** key
- 2) exit the menu and leave the settings unchanged by pressing the ◀ key.



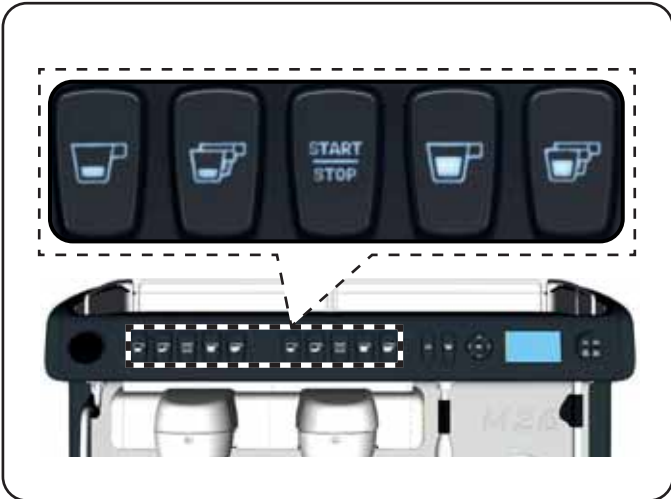
23. Key menu - Coffee selection

Press one of the coffee dispensing keys on the selection panel (the relative led will remain on, not flashing). The following message will appear on the display:



Each dispensing unit is controlled by a panel that permits programming the amount of desired dispensing for each button.

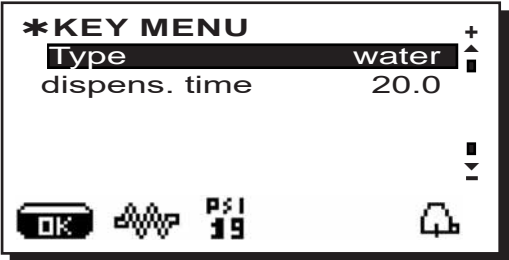
The following coffee selection parameters can be modified:
- **water dose** (volumetric dosage pulses)



English

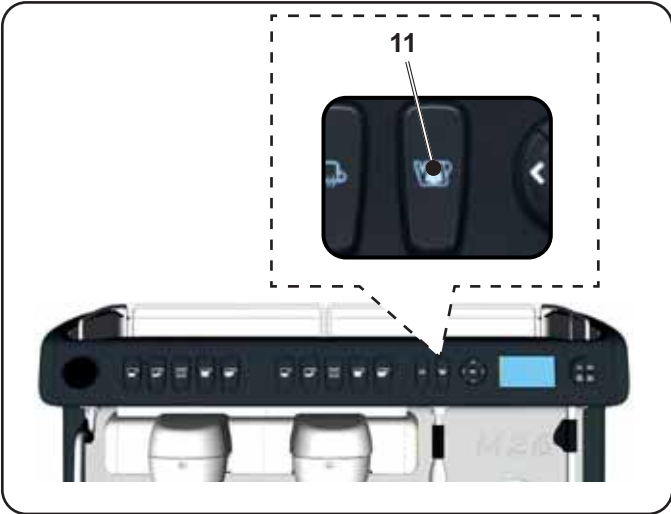
24. Key menu - Hot water selection

Press the hot water dispensing key (11). The following message will appear on the display:



The following hot water selection parameters can be modified:

- **water dispensing time** (dispensing time in seconds.).

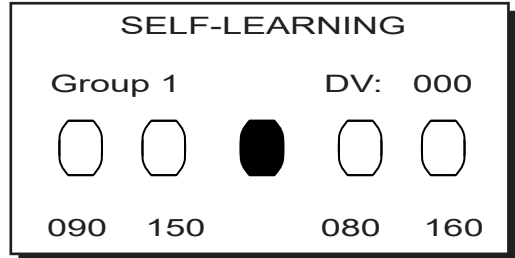
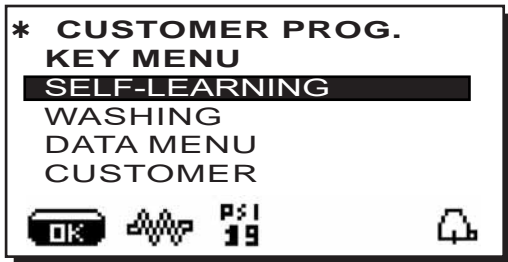




25. Programming measures using the "SELF-LEARNING" function

The doses of water for coffee and the hot water doses can also be programmed using the "SELF-LEARNING" function.

Use the ▲ and ▼ keys to position the cursor (black line) on the desired line and then press the ► key. The following message will appear on the display:



English

Coffee doses

- 1 - Hook the filter holder with the dose of ground coffee to the unit.
- 2 - Place the cup or cups underneath the filter holder nozzles and press the button to be programmed. Keep the button pressed until the desired level is reached in the cup or cups.



During this phase, the value of the pulses of the volumetric dispensing device (at the top right of the display) increases. On releasing the button, the value reached is stored and appears under the key programmed.

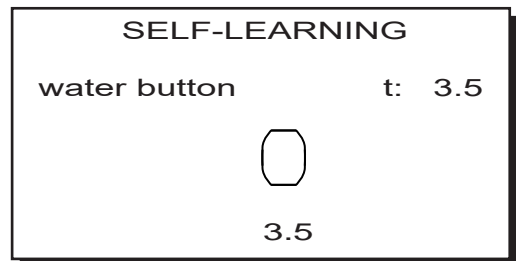
- 3 - Continue to program all the coffee buttons, repeating the steps starting with number 1.

Hot water doses

- 1 - Press the button to be programmed. Keep the button pressed until the desired level is reached in the cup.



During this phase, the time in seconds (at the top right of the display) increases. On releasing the button, the value reached is stored and appears under the key programmed.

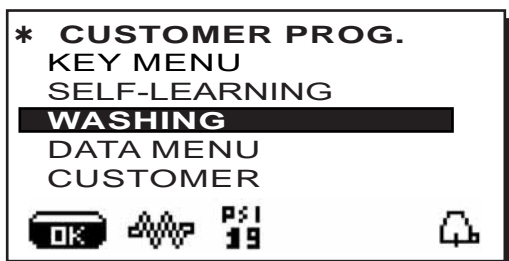


- 2 - Continue to program all the water buttons, repeating the steps starting with number 1.

At the end, confirm the changes made by pressing the **OK** key or exit the menu, leaving the data unchanged, by pressing the ◀ key.

26. Washing

Press the ► key and use the ▲ and ▼ keys to position the cursor (black line) on the desired line; the following message will appear on the display:



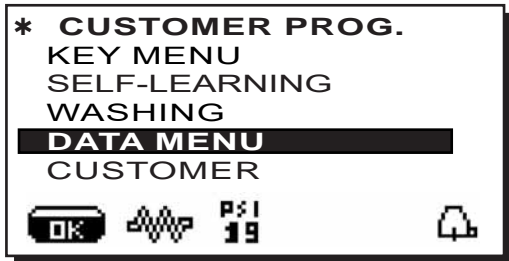
Please consult the chapter "Cleaning and maintenance" for this function.



27. DATA menu - Counter display and zeroing

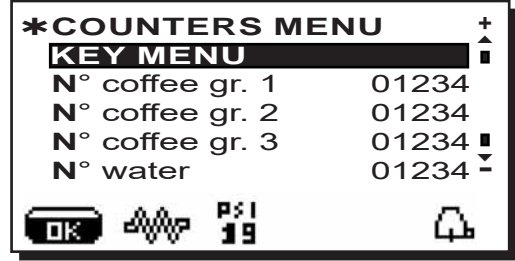
1

Press the ► key and use the ▲ and ▼ keys to position the cursor (black line) on the desired line; the following message will appear on the display:



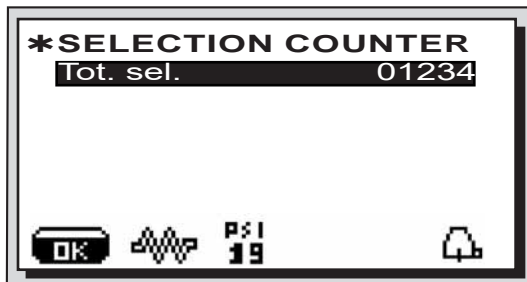
2

Counters are displayed by pressing the ► key. The following message appears on the display:



3

By pressing any dispensing key, the associated LED remains lit and the display shows the number of times coffee has been dispensed with that key:



Selection counters can be zeroed pressing the ► key, and then pressing the ▲ or ▼ key.

Press the OK key to confirm zeroing; press the ◀ key to return to the main menu.

4

Parameters calculated are:

- **N. coffee** (number of coffee beverages)
- **N. water** (number of times water is dispensed)
- **N. tot coffee** (total number of coffee beverages).

Counters can be zeroed by aligning the cursor on the selected entry, pressing the ► key, and then pressing the ▲ or ▼ key.

Press the OK key to confirm zeroing.

The "N. coffee" entry appears for as many times as there are machine groups.

Note: Parameters that cannot be zeroed are:

- N. tot coffee

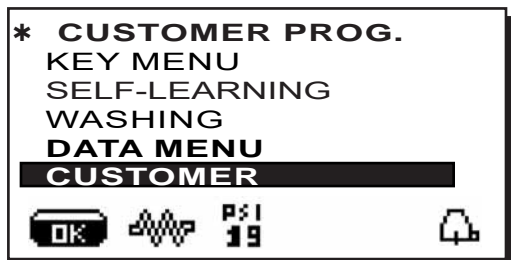
Press the ◀ key to return to the main menu.



28. Customer parameters menu

Press the **▶** key and use the **▲** and **▼** keys to position the cursor (black line) on the desired line; the following message will appear on the display:

To access "Customer parameters" press **▶** key; the following message will appear on the display:



English

LANGUAGE SELECTION

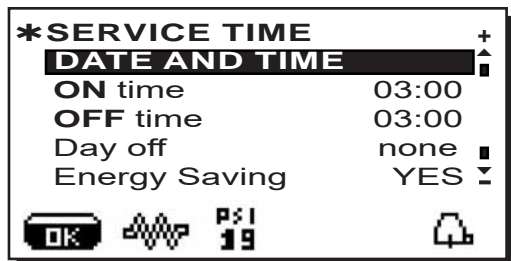
To display the messages in a different language from that set, after entering into Programming mode, position the cursor on the desired language by pressing the **▲** and **▼** keys and then pressing the **▶** key. The machine will restart with the messages provided in the selected language.





SERVICE TIME MENU

Pressing the ► key, the following message will appear on the display:



The following service time parameters can be modified:

- **ON time** (time the machine switches on);
- **OFF time** (time the machine switches off);
- **day off** (day on which the enterprise is closed);

General indications

If there is no day off (i.e. the enterprise never closes), enter "none" for the "day off" item.

Enter the same time for the "ON time" and "OFF time" parameters (for example:

ON time 22:00
OFF time 22:00)

if the automatic switch on/switch off function is not required and you wish to manually switch the machine on and off.

- **Energy Saving** (enable/disable the Energy Saving function: YES/NO);
- **Night ON** (start time for evening beverage price: only when payment system is connected);
- **Night OFF** (end time for evening beverage price: only when payment system is connected);

- **Wash** (hour of scheduled wash);
Washing cycle can be performed at pre-set time. At the set time, the display will show: this message "EXECUTE COFFEE WASHING".

When requested, a washing cycle (simultaneous or sequential) will be performed as described in the "Cleaning Operations" paragraph.

Follow these steps to set the time for the washing cycle:

- Position the cursor on the line **WASH**;
- Press the ► key;
- Change the time, using the ▲ and ▼ keys;
- Press the **OK** key to confirm the setting.

Set OFF against the time so as to not activate these wash cycles. OFF is displayed press the ▼ key the indicated time is "00:00".

NOTES. The technical personnel has the ability to enable or disable the "block" function.

With "block" enabled, if the washing cycle is not performed within an hour, the machine prevents beverages from being dispensed.

- **Water Change** water replacement can be set by time
The "**Water Change**" function with time request is set by the technical personnel who can also enable or disable the "block" function.

With "block" enabled, if the water change is not done within an hour, the machine prevents beverages from being dispensed.

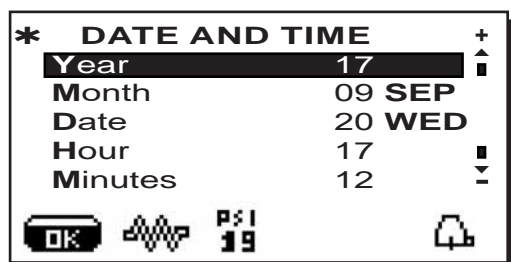
With request scheduled the user can only change the time the request appears.

Follow these steps to set the time:

- Position the cursor on the line **Water Change**;
- Press the ► key;
- Change the time, using the ▲ and ▼ keys;
- Press the **OK** key to confirm the setting.

DATE AND TIME

To modify the date and hour, press the ► key on the corresponding line. The following message will appear:



Use the ▲ and ▼ keys to move the cursor (black line) to the entry to be modified, then press the ► key. The cursor will turn into an arrow ⇐ and it becomes possible to change the number for the selected entry by using the ▲ and ▼ keys.

Once the operation is completed, press the **OK** key to confirm the data.

Note: the cursor changes back to black line.
Repeat the operation described above to modify other parameters.



This page is intentionally left blank.

	Page		Page
1. Consignes générales	2	18. Nettoyage et entretien	20
2.1 Transport et manutention	3	Groupes Versions DT avec l'écran	21
2.2 Consignes d'installation	4	Lavage simultané	22
3. Consignes électriques d'installation	5	Lavage alterné.....	23
4. Consignes hydrauliques d'installation	5	Lavage simple	24
5. Vérification de l'installation	6	Fonction blocage.....	25
6. Consignes pour l'opérateur	7	Changement d'eau de la chaudière	25
7. Avertissements	8	Groupes Versions DT sans l'écran	26
8. Entretien et réparations	9	Groupes Versions C	27
9. Mise hors service définitive	10	Nettoyage des porte-filtres	27
UTILISATION			
10. Mise en marche quotidienne de la machine .	11	Buses à vapeur	28
11. Description des symboles de l'écran (versions DT avec l'écran uniquement)	14	Buses eau chaude	29
12. Changement de l'eau de la chaudière (versions DT avec l'écran uniquement)	15	Grilles et bac d'égouttement	29
13. Chauffe-tasses (si prévu)	15	Bac collecteur	29
14. Distribution de café	16	Carrosserie	29
15. Distribution d'eau chaude	16	19. Anomalies - Avaries	30
Programmation des doses avec la fonction d'"AUTO-APPRENTISSAGE" (Versions DT sans l'écran)	17	Messages explicites	30
16. Distribution de vapeur	17	PROGRAMMATION DU CLIENT (versions DT avec l'écran uniquement)	
16.1 Distribution avec le sélecteur Turbosteam (le cas échéant)	18	20. Flux de programmation client	31
17. Personnalisations de la machine (activables par le personnel TECHNIQUE) .	19	21. Réglage de l'horloge	32
<i>Contrôle du débit</i>	<i>19</i>	22. Comment accéder à la programmation	32
<i>Système BDS - Barista Drive System</i>	<i>19</i>	23. Menu touche - Sélection Café	33
		24. Menu touche - Sélection Eau Chaude	33
		25. Programmation des doses avec la fonction d'"AUTO-APPRENTISSAGE"	34
		26. Lavage	34
		27. Menu données - Affichage et remise à zéro des compteurs	35
		28. Menu Paramètres client	36
		Choix de la langue.....	36
		Menu horaire de service.....	37
		Date et heure.....	37
		ILLUSTRATIONS	VII
		Changement de la tension d'alimentation du transformateur	VII
		Service Line	VIII



1. Consignes générales



Lire attentivement les avertissements et les consignes contenus dans le manuel D'UTILISATION avant d'utiliser ou de manipuler l'appareil car ils fournissent d'importantes indications concernant la sécurité et le respect des normes d'hygiène. Conserver soigneusement ce livret pour une consultation ultérieure.

- L'appareil est prévu uniquement pour préparer un café expresso et des boissons chaudes à l'aide d'eau chaude ou de vapeur et pour préchauffer les tasses. Toute autre utilisation est considérée comme non conforme.
- L'appareil doit être installé dans un endroit où il peut être utilisé par des personnes formées à cet effet et informées sur les risques d'utilisation de l'appareil.
- L'appareil est destiné à un usage professionnel.
- L'appareil peut être utilisé par des enfants de plus de 8 ans et par des personnes aux capacités physiques, sensorielles ou mentales altérées, ou sans expérience ni connaissance de la machine, à condition qu'ils soient sous surveillance ou qu'ils aient préalablement reçu des instructions pour une utilisation en toute sécurité de l'appareil, et qu'ils comprennent les dangers qui y sont liés. Les enfants ne doivent pas jouer avec l'appareil.
Le nettoyage et l'entretien à effectuer par l'utilisateur ne doivent pas être exécutés par des enfants sans surveillance.
L'utilisation par des mineurs, avec ou sans la supervision d'un adulte, ne doit pas être contraire aux réglementations locales régissant les relations de travail.
- Ne jamais laisser l'appareil sans surveillance durant le fonctionnement.
- L'appareil ne doit pas être utilisé à l'extérieur.
- Si l'appareil est conservé dans des endroits où la température peut descendre en dessous du point de congélation, toujours vider la chaudière et les tuyaux de circulation d'eau.
- Ne pas exposer l'appareil aux agents atmosphériques (pluie, soleil, gel).
- Ne pas nettoyer l'appareil à l'aide d'un jet d'eau.
- Bruit : niveau de pression acoustique pondérée 77 dB(A) (+/- 2.5dB).
- En cas de dommage causé au câble d'alimentation, ce dernier doit être remplacé uniquement par le personnel technique qualifié et autorisé.
- Toute utilisation différente de celle décrite ci-dessus est impropre et peut être source de danger ; le fabricant décline toute responsabilité en cas de dommages résultant d'une utilisation impropre de l'appareil.



ATTENTION

L'installation, le démontage et les réglages doivent être effectués exclusivement par le personnel technique qualifié et autorisé.

Lire attentivement les avertissements et les consignes contenus dans le présent manuel car ils fournissent d'importantes indications concernant la sécurité d'installation, d'utilisation et d'entretien.

Conserver soigneusement ce livret pour une consultation ultérieure.

2.1 Transport et manutention

Emballage

- La machine est conditionnée dans un emballage en carton robuste avec des protections internes adéquates. Les symboles conventionnels figurant sur l'emballage fournissent des instructions à observer pendant la manutention et le stockage de l'appareil.
- Effectuer le transport selon les instructions figurant sur l'emballage : déplacer le colis avec la prudence qui s'impose et éviter tout choc.
- Ne pas exposer l'emballage aux agents atmosphériques (pluie, soleil, gel).

Contrôles à la réception

- À la réception de l'appareil, vérifier l'exactitude et la conformité des documents de transport (voir étiquettes emballage).
- Vérifier que l'emballage d'origine n'est pas endommagé.
- Après avoir retiré l'emballage, vérifier l'intégrité de l'appareil et des dispositifs de sécurité.
- Les éléments de l'emballage (sacs en plastique, polystyrène expansé, clous, etc.) ne doivent pas être laissés à la portée des enfants car ils constituent des sources potentielles de danger.

Instructions pour l'élimination de l'emballage

Les matériaux d'emballage sont écologiques et recyclables. Éviter le rejet dans l'environnement. Apporter les matériaux aux points de récupération/collecte conformément à la législation locale en vigueur.





Manutention

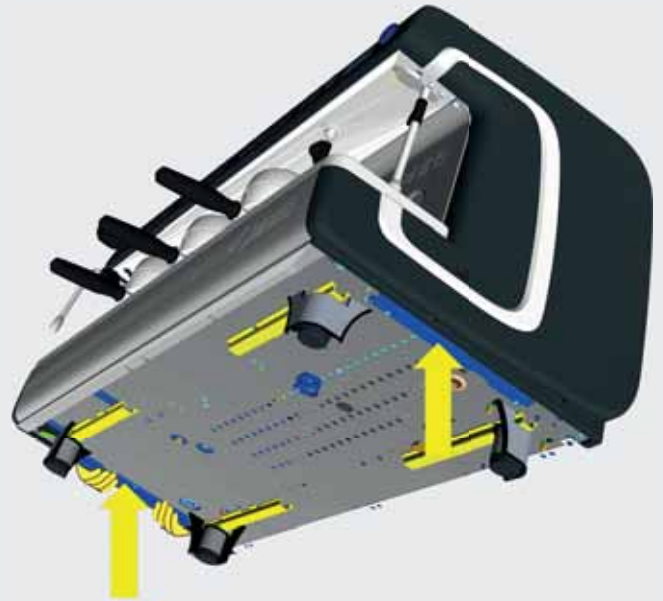
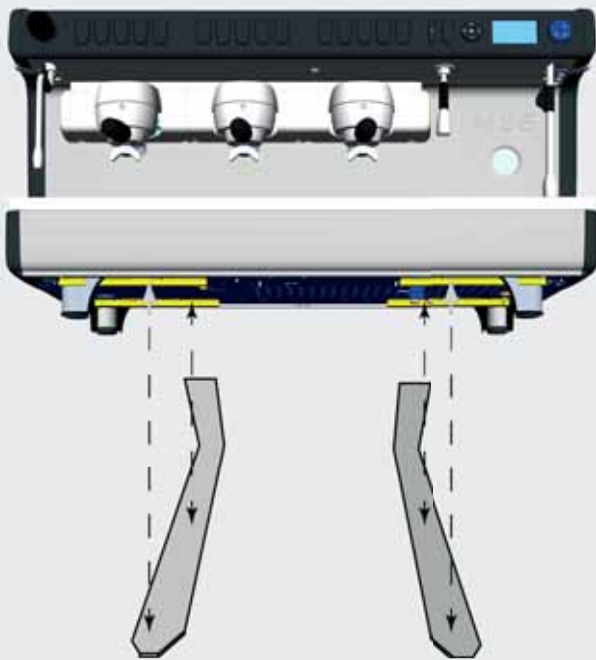


Le personnel qualifié pour déplacer l'appareil doit connaître les risques liés à la manipulation des charges.

Manipuler l'appareil avec la plus grande attention, en utilisant, si possible, un engin de levage adéquat (type chariot élévateur).

En cas de manutention manuelle, s'assurer que :

- le nombre de personnes est adapté au poids et à la difficulté de prise de l'appareil ;
- toujours utiliser les dispositifs de prévention des accidents du travail (chaussures, gants).



2.2 Consignes d'installation

- Avant de brancher l'appareil, s'assurer que les données de la plaque correspondent à celles du réseau de distribution électrique et de l'eau.
- Contrôler l'état du câble d'alimentation ; s'il est endommagé, le remplacer.
- Dérouler totalement le câble d'alimentation.
- La machine à café doit être placée sur une surface plane et stable, à une distance minimum de 1 pouce (20 mm) des murs et de la surface d'appui ; de plus, elle doit être installée en veillant à ce que la surface d'appui plus haute (plateau chauffe-tasses) soit à une hauteur non inférieure à 47 pouces (1,2 m). Prévoir une surface d'appui pour les accessoires.
- La température ambiante doit être comprise entre 50°F et 89.6°F (10°C et 32°C).
- Les branchements d'alimentation (électricité et eau) et le système d'évacuation de l'eau doté d'un siphon doivent se trouver à proximité.
- Ne pas installer dans des pièces (cuisines) où le nettoyage est effectué par jets d'eau.
- Ne pas obstruer les ouvertures ou fissures de ventilation ou de dispersion de la chaleur.
- Ne pas installer l'appareil à l'extérieur.
- Ne pas installer ou utiliser l'appareil dans des environnements potentiellement explosifs.
- Ne pas installer l'appareil en présence de substances inflammables.



3. Consignes électriques d'installation

Au moment de l'installation, prévoir un dispositif qui assure l'interruption du raccordement au réseau avec une distance d'ouverture des contacts permettant une interruption totale dans les conditions de surtension III et une protection contre le courant de fuite avec une valeur de 30mA. Ce dispositif d'interruption doit être prévu dans le réseau d'alimentation conformément aux règles d'installation.

Dans des conditions d'alimentation défavorables, l'appareil peut causer des chutes de tension transitoires.

La sécurité électrique de cet appareil n'est assurée que lorsque celui-ci est correctement relié à une installation efficace de mise à la terre comme prévu par les normes de sécurité électrique en vigueur. Il faut vérifier cette condition fondamentale de sécurité et, en cas de doute, demander à ce que le personnel qualifié effectue un contrôle méticuleux de l'installation. Le fabricant ne peut être tenu pour responsable des éventuels dommages causés par le manque de mise à la terre de l'installation.

Ne pas utiliser d'adaptateurs, de prises multiples et /ou rallonges.

De plus, vérifier que le type de branchement et la tension correspondent à ceux indiqués sur la plaque signalétique : voir chapitre illustrations figure 1.

Pour les machines avec couplage monophasé : voir chapitre illustrations figure 2.

Cet équipement a été testé et jugé conforme aux limites des appareils numériques de Classe A, conformément à la partie 15 des réglementations de la FCC.

Ces limites sont conçues pour fournir une protection raisonnable contre les interférences nuisibles lorsque l'équipement est utilisé dans un environnement commercial.

Cet équipement génère, utilise et peut émettre de l'énergie de radiofréquence et, s'il n'est pas installé et utilisé conformément au manuel d'instruction, celui-ci peut causer des interférences nuisibles aux communications radio.

Le fonctionnement de cet équipement dans une zone résidentielle est susceptible de provoquer des interférences nuisibles, auquel cas l'utilisateur sera tenu de corriger les interférences à ses propres frais.

4. Consignes hydrauliques d'installation

CONDITIONS HYDRAULIQUES REQUISES

L'eau destinée à alimenter la machine à café doit être adaptée à la consommation humaine (voir directives et normes en vigueur).

Contrôler que les valeurs du pH et des chlorures sont conformes aux lois en vigueur au point d'entrée de l'eau sur la machine.

Si les valeurs relevées n'entrent pas dans les limites indiquées, il faut introduire un dispositif de traitement de l'eau approprié (qui respecte les normes locales en vigueur et compatibles avec l'appareil).

Au cas où il faudrait alimenter la machine avec de l'eau d'une dureté supérieure à 8 °f (4,5 °d), pour le bon fonctionnement de la machine, appliquer un plan d'entretien spécifique en fonction de la valeur de dureté relevée et de la modalité d'utilisation.

CONSIGNES

Pour l'installation, utiliser exclusivement les composants fournis ; si l'on doit utiliser d'autres composants, employer exclusivement des composants neufs (tuyaux et joints pour le raccordement au réseau d'eau qui n'ont jamais été utilisés auparavant) et adaptés au contact avec l'eau pour la consommation humaine (selon les normes locales en vigueur).

BRANCHEMENTS HYDRAULIQUES

Placer l'appareil parfaitement à l'horizontale en agissant sur les pieds, puis fixer les pieds.

Effectuer les branchements hydrauliques comme indiqué dans le chapitre illustrations figure 3, en respectant les normes d'hygiène, de sécurité hydraulique et anti-pollution en vigueur dans le pays d'installation.

N. B. : si la pression de réseau dépasse 87 psi (6 bars), installer un réducteur de pression calibré à 29÷43 psi (2÷3 bars) : voir chapitre illustrations figure 4.

Tuyau d'évacuation : mettre une extrémité du tuyau d'évacuation dans un puisard doté de siphon pour l'inspection et le nettoyage.

IMPORTANT : le tuyau d'évacuation NE doit pas être trop courbé, comme indiqué dans le chapitre illustrations figure 5.

ATTENTION: This equipment is to be installed with adequate backflow protection to comply with the applicable federal, state or local plumbing codes having jurisdiction. (ATTENTION: Cet équipement doit être installé avec une protection anti-refoulement adéquate conformément aux codes de plomberie fédéraux, de l'État ou locaux applicables).



5. Vérification de l'installation



ATTENTION : UNE FOIS L'INSTALLATION TERMINÉE, VÉRIFIER LES CONDITIONS DE BON FONCTIONNEMENT (voir formulaire C d'installation).

BRANCHEMENT HYDRAULIQUE

- Absence de fuites au niveau des branchements ou des tuyaux

FONCTIONNEMENT

- Pression de la chaudière et pression de service conformes aux valeurs normales
- Fonctionnement correct du contrôle de pression
- Fonctionnement correct du niveau
- Fonctionnement correct des soupapes d'expansion



ATTENTION : LORSQUE LA MACHINE EST INSTALLÉE ET PRÊTE À L'EMPLOI, LAYER LES COMPOSANTS INTERNES AVANT DE CONFIER LA MACHINE À L'OPÉRATEUR, EN SUIVANT LES CONSIGNES CI-DESSOUS :

GROUPES

- Fixer les porte-filtres aux groupes (sans café).
- Effectuer des distributions pendant une minute environ, pour chaque groupe.

EAU CHAUDE

- Distribuer de façon répétée (en actionnant la commande correspondante) jusqu'à prélever au moins 5 litres pour machine à 2 groupes, 8 litres pour machine à 3 groupes. Voir manuel d'utilisation au chapitre « Distribution eau chaude ».

VAPEUR (même avec Turbosteam)

- Distribuer de la vapeur à travers les buses pendant une minute environ, en utilisant les commandes prévues à cet effet.



6. Consignes pour l'opérateur

DEMARRAGE ACTIVITE



ATTENTION : AVANT D'UTILISER LA MACHINE, LAYER LES COMPOSANTS INTERNES EN SUIVANT LES CONSIGNES CI-DESSOUS. CES OPÉRATIONS DOIVENT ÊTRE RÉPÉTÉES LORSQUE LA MACHINE NE DISTRI- BUE PAS DE BOISSONS PENDANT PLUS DE 8 HEURES ET EN TOUT ÉTAT DE CAU- SE AU MOINS UNE FOIS PAR JOUR.

Groupes

- Fixer les porte-filtres aux groupes (sans café).
- Effectuer des distributions pendant une minute environ, pour chaque groupe.

Eau chaude

- **Versions DT avec l'écran.** Effectuer le changement eau comme indiqué au paragraphe « *Changement de l'eau de la chaudière* ».
- **Versions C / Versions DT sans l'écran.** Distribuer de façon répétée (en actionnant la commande correspondante) jusqu'à prélever au moins 5 litres pour machine à 2 groupes, 8 litres pour machine à 3 groupes.
Voir manuel d'utilisation au chapitre « Distribution eau chaude ».

Vapeur (même avec Turbosteam)

- Distribuer de la vapeur à travers les buses pendant une minute environ, en utilisant les commandes prévues à cet effet.

AU COURS DE L'ACTIVITÉ

Distribution de vapeur (également avec Turbosteam)

- Avant de réchauffer la boisson (eau, lait, etc.), faire sortir de la vapeur de la buse pendant au moins 3 secondes pour garantir l'évacuation de condensat.

Distribution de café

- Si la machine est restée inactive pendant plus d'une heure, avant de distribuer de l'eau chaude, effectuer une distribution à vide d'environ 100cc.

Distribution d'eau chaude

- Si la machine est restée inactive pendant plus d'une heure, avant de distribuer de l'eau chaude, effectuer une distribution à vide d'environ 200cc.

Nettoyage du circuit café

- Pour les modes et les instructions de nettoyage, consulter la section spécifique du manuel d'utilisation.



7. Avertissements



Danger de brûlures

Les zones identifiées avec l'étiquette sont des parties chaudes. Il est donc recommandé de **s'approcher et d'utiliser la machine avec la plus grande prudence.**



WARNING: Hot surface
ACHTUNG: Heisse Oberfläche
ATTENTION: Surface chaude
ATTENZIONE: Superficie calda

AVERTISSEMENTS GÉNÉRAUX

Le fabricant décline toute responsabilité pour tout dommage matériel ou physique suite à une mauvaise utilisation de la machine à café.

Ne pas mettre en marche la machine à café avec les mains mouillées ou pieds nus.

Attention, l'appareil ne doit pas être utilisé par des enfants ou des personnes ne connaissant pas son fonctionnement.

Danger de brûlures

Ne jamais poser les mains ou d'autres parties du corps à proximité des groupes de distribution de café, ou des buses à vapeur et eau chaude.

Plateau chauffe-tasses

Ne poser sur le plateau chauffe-tasses que des petites tasses, des tasses normales, ou des verres adaptés pour le fonctionnement de la machine à café.

Laisser égoutter soigneusement les petites tasses avant de les poser sur le plateau chauffe-tasses. Ne pas placer d'autres objets sur le plateau chauffe-tasses.



INTERRUPTION DE L'ACTIVITÉ

En cas de non-utilisation prolongée de la machine (par exemple, durant la fermeture de l'établissement), effectuer les opérations suivantes :

- effectuer le nettoyage comme indiqué dans le chapitre correspondant ;
- débrancher la fiche de la prise de courant, ou débrancher l'interrupteur principal ;
- fermer le robinet d'alimentation en eau.

N.B. : pour les machines sur lesquelles il est possible de programmer l'allumage et l'arrêt à des heures précises, les alimentations ne doivent rester actives que si la fonction est insérée.

Le non-respect de ces consignes de sécurité dégage le fabricant de toute responsabilité en cas de pannes, de dommages à des biens et/ou de blessures à des personnes et/ou des animaux.



8. Entretien et réparations

En cas de mauvais fonctionnement, éteindre la machine, débrancher l'interrupteur principal et prévenir le SAV.

En cas de dommage au câble de branchement électrique, éteindre la machine et demander une pièce de rechange au SAV.



Pour assurer la sécurité d'exploitation et des fonctions, il est indispensable de :

- **respecter toutes les consignes du fabricant ;**
- **faire vérifier périodiquement par le personnel qualifié et autorisé l'intégrité des protections et le bon fonctionnement de tous les dispositifs de sécurité (la première fois au bout de 3 ans maximum puis tous les ans).**



ATTENTION

Un entretien effectué par un personnel non qualifié peut porter préjudice à la sécurité et à la conformité de la machine aux normes en vigueur. Ne s'adresser qu'à un personnel qualifié et autorisé.

ATTENTION

Utiliser exclusivement des pièces de rechange d'origine garanties par la maison mère.

Dans le cas contraire, la responsabilité du fabricant n'est pas engagée.

ATTENTION

Après les opérations d'entretien, effectuer les VÉRIFICATIONS d'installation illustrées à la section correspondante du manuel d'utilisation.

Pour la Californie uniquement

AVERTISSEMENT : la consommation de boissons ayant été préparées dans cette machine vous exposera au plomb, un produit chimique connu dans l'État de Californie pour causer des malformations congénitales et des problèmes de reproduction.



9. Mise hors service définitive

L'appareillage électrique ne peut pas être jeté comme un déchet urbain.

Pour la sauvegarde de l'environnement, procéder selon la normative locale en vigueur.



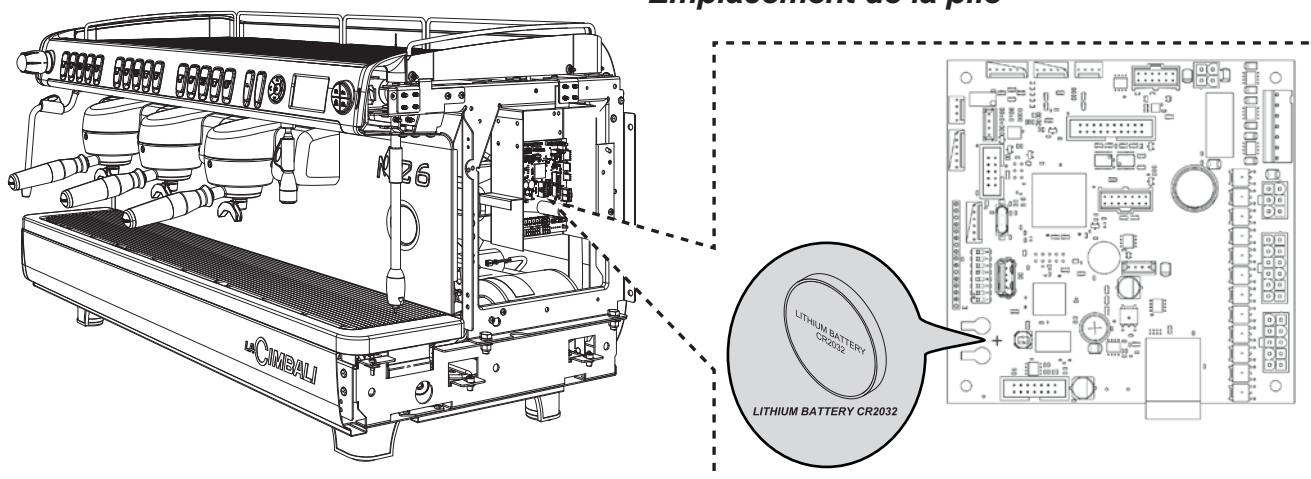
Le tri sélectif, qui permet de recycler, de traiter et d'éliminer l'appareil dans le respect de l'environnement, contribue à éviter tout effet négatif sur l'environnement et sur la santé et favorise la réutilisation et/ou le recyclage des matériaux de composant le produit. L'écoulement des déchets électriques qui ne respectent pas les normes en vigueur comporte l'application de sanctions administratives et pénales.

INFORMATIONS SUR L'ENVIRONNEMENT (*versions DT avec l'écran uniquement*)

Cet appareil contient une pile bouton non rechargeable au lithium (chimie : lithium-dioxyde de manganèse) intégrée au produit final.

Recycler ou éliminer les piles conformément aux consignes du fabricant de la pile ou selon les réglementations locales et nationales en vigueur.

Emplacement de la pile





UTILISATION

10. Mise en marche quotidienne de la machine



« Avant de démarrer la machine, s'assurer que :

- l'interrupteur principal de l'alimentation électrique est branché ;
- le robinet principal d'alimentation en eau est ouvert ».

ALLUMAGE MANUEL

Versions DT avec l'écran

1



Appuyer sur l'interrupteur lumineux général.
La machine s'allume, les touches s'illuminent et l'écran affiche :

20	Septembre	2017
mercredi		15:15:04
		PSI 0.0

2

Si le niveau d'eau est en-dessous du minimum, la chaudière se remplira jusqu'au niveau optimal. À l'issue de cette phase, on voit apparaître l'icône dans la partie inférieure gauche de l'écran.
Attendre que la pression de travail programmée soit atteinte avant d'utiliser la machine.
Au cours de cette phase, en appuyant sur l'une des touches **START** **STOP**, la distribution se fera à la température atteinte à ce moment-là.
En appuyant sur une autre touche de distribution, on verra apparaître :

20	Septembre	2017
mercredi		15:15:04
MACHINE FROIDE ATTENDRE		
		PSI 0.0


3


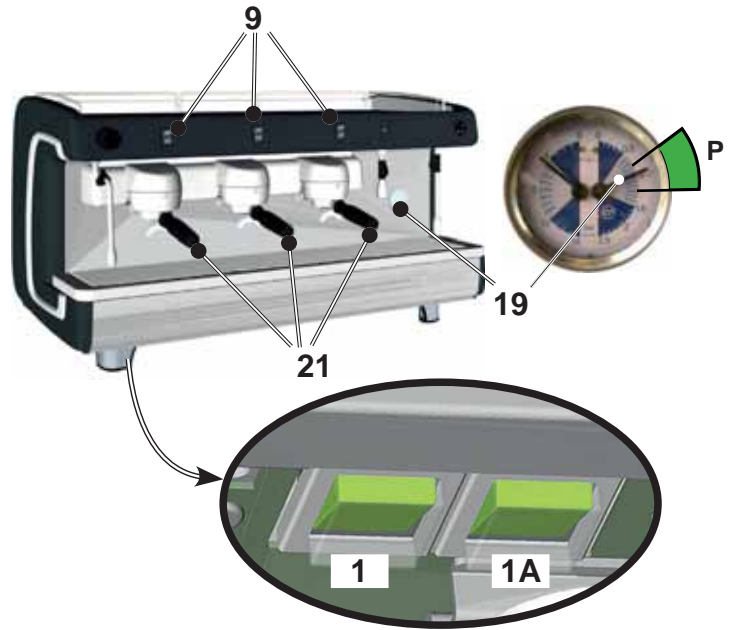
En attendant que la machine soit prête à l'emploi, insérer les porte-filtres dans les groupes.
La machine est prête à l'emploi dès que la pression de fonctionnement apparaît à l'écran :

20	Septembre	2017
mercredi		15:18:12
		PSI 19

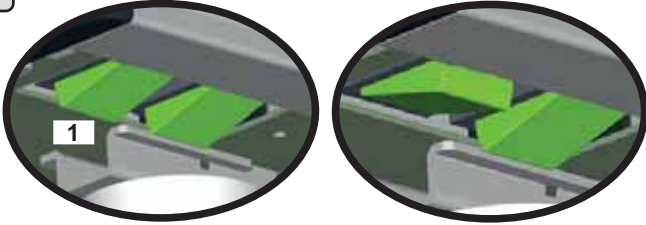
Français




 FAIRE PARTICULIEREMENT ATTENTION A LA SEQUENCE D'ACTIONNEMENT DES INTERRUPTEURS (1) ET (1A).

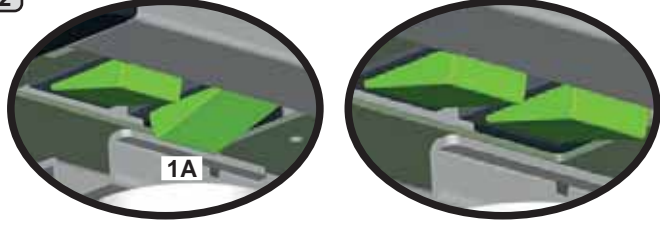




1



Appuyer sur l'interrupteur lumineux général (1) en position  ; le voyant s'allume et les touches s'éclairent eux aussi.
Si le niveau de l'eau dans la chaudière est inférieur au minimum, la chaudière sera remplie jusqu'au niveau optimal, indiqué par le rétablissement de la pression de réseau du manomètre de la pompe.

2



SEULEMENT APRES que le processus de chargement de la chaudière a été achevé, appuyer sur l'interrupteur lumineux d'activation de la résistance (1A) en position  ; le voyant s'allume et la phase de réchauffement commence. Attendre jusqu'à ce que le manomètre (19) indique la pression prévue pour l'exercice (environ 17psi - 1,2 bar). A ce stade la machine est prête pour le travail.

Pendant la phase de réchauffement, en agissant sur un des interrupteurs du débit du café, la machine fait sortir du café à la température atteinte à ce moment-là.

La phase de réchauffement se termine lorsque la petite aiguille du manomètre de la chaudière (19) se stabilise dans la zone **P** de couleur verte.

C'est à ce moment là que votre machine à café sera prête pour le débit du café, de la vapeur ou de l'eau chaude.

Pour favoriser l'harmonisation entre la température du groupe et celle du porte-filtres (21), appuyer sur l'interrupteur (9) et faire sortir du liquide pendant quelques secondes; tourner ensuite le bouton (9).



EXTINCTION / ALLUMAGE AUTOMATIQUE

La machine peut être réglée pour s'éteindre et s'allumer à des horaires programmés ; consulter le chapitre "**Menu horaire de service**" pour régler l'heure d'allumage "**heure ON**" et l'heure d'extinction "**heure OFF**".

Lorsque l'horaire de service est prédéfini, la machine s'éteint automatiquement à l'heure programmée. Pendant la phase d'extinction automatique, l'écran affiche le message suivant :



N.B. : quand la machine fonctionne avec allumage/ extinction automatique, ne pas utiliser l'interrupteur général (1) pour éteindre la machine, car dans cette condition, l'allumage automatique n'est pas possible.

La machine s'allume automatiquement à l'heure programmée.

Les affichages apparaissant à l'écran et les opérations exécutées par la machine correspondent à ce qui est décrit dans le paragraphe "**ALLUMAGE MANUEL**".

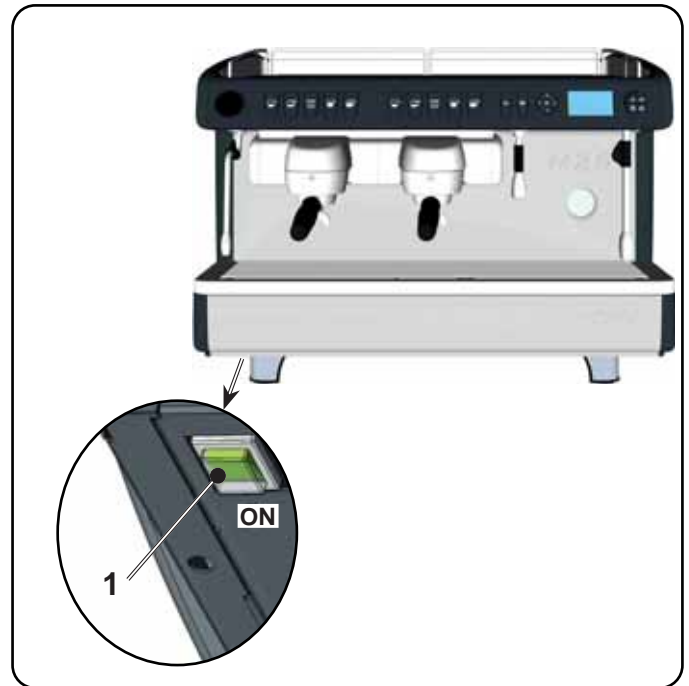
EXTINCTION AVEC ENERGY SAVING

Pendant la phase d'extinction, la machine peut être réglée sur la modalité ÉCONOMIE D'ÉNERGIE.

En activant cette fonction, la résistance de la machine n'est pas complètement désactivée et permet de maintenir la pression dans la chaudière à une valeur de 2.9 psi (0.2 bar).

N.B. Si le jour suivant l'extinction à faible consommation énergétique est paramétré comme jour de fermeture, la machine s'éteint complètement pendant 24 heures, avec retour au maintien de la pression 2.9 psi (0.2 bar) dans la chaudière à la fin de la journée de fermeture.

Consulter le chapitre "**Menu horaire de service**" pour paramétrer cette fonction.



MODALITÉ ENERGY SAVING

La fonction ÉCONOMIE D'ÉNERGIE peut également être activée manuellement en appuyant pendant quelques secondes sur la touche **OK**.

Au cours de cette phase :

- si la pression dans la chaudière est programmée avec une valeur supérieure à 17 psi (1.2 bars), la pression est abaissée à 12 psi (0.8 bar) ;
- si la pression dans la chaudière est programmée avec une valeur inférieure à 17 psi (1.2 bars), la pression est réduite de 6 psi (0.4 bar) par rapport à la valeur programmée.

Appuyer sur n'importe quelle touche de distribution pour sortir du mode ÉCONOMIE D'ÉNERGIE et revenir à la phase de travail de la machine.

ALLUMAGE FORCÉ

Appuyer sur n'importe quelle touche de distribution pour forcer l'allumage.

N.B. : le forçage de l'allumage ne modifie pas les horaires d'allumage/extinction programmés.

N.B. : la machine restera allumée jusqu'à l'heure d'extinction programmée.

Pour la ramener immédiatement à la condition d'extinction de l'horloge, il faut éteindre et rallumer la machine au moyen de l'interrupteur général (1).



11. Description des symboles de l'écran (versions DT avec l'écran uniquement)


NIVEAU



Ce symbole indique le niveau d'eau dans la chaudière.



Durant la phase de chargement, la partie inférieure de l'icône s'affiche de façon alternée.

Quand le niveau optimal est atteint, le symbole s'affiche ainsi .

RÉSISTANCE



Ce symbole (intérieur foncé) indique que la résistance est active et opérationnelle.

Quand la pression chaudière atteint la valeur définie, l'icône s'affiche ainsi



(intérieur clair).

Pendant tout le temps de travail de la machine, les deux icônes  

alternent sur l'écran, indiquant la présence ou non du chauffage électrique.



Ce symbole indique que la résistance chaudière est désactivée.



N.B. : l'utilisateur ne peut pas activer/désactiver le chauffage électrique.

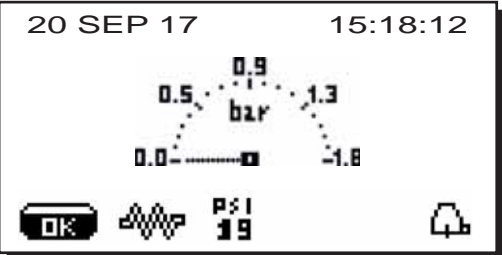
Avec la fonction d'allumage/extinction réglée, l'activation du chauffage électrique est automatique.

PRESSIION CHAUDIÈRE



Ce symbole indique la valeur de la pression chaudière.

En appuyant pendant environ 3 secondes sur la touche ◀, on peut afficher le manomètre de manière analogique ; l'écran affiche alors :



Appuyer de nouveau pendant environ 3 secondes sur la touche ◀ pour revenir à l'affichage classique de l'écran.



Ce symbole indique que la machine est en phase de premier chauffage ou que la pression chaudière est descendue en-dessous de 7 psi (0.5 bar).

Pendant toute la durée de cette phase, l'icône s'affiche de manière alternée avec celle qui indique la pression chaudière.


La machine a atteint la pression et la température de travail programmée quand l'icône  n'apparaît plus à l'écran.

CHAUFFE-TASSES (*)



Ces symboles indiquent la puissance actuellement sélectionnée du chauffe-tasses :

aucun symbole = OFF

 = puissance maximale

WIFI (*)

Symboles connexion WIFI:



- présence de réseau sans connexion;



- connecté au réseau.

BLUETOOTH (*)

Ces symboles se réfèrent à la communication Bluetooth :



- l'icône indique la présence du module Bluetooth sur la machine ;



- l'icône indique que la machine communique avec un broyeur-doseur Bluetooth.

USB



Ce symbole apparaît sur l'écran lorsqu'une clé USB est branchée.

SD (*)



Cette icône indique la présence d'une mémoire micro SD dans la carte CPU de la machine.

PROGRAMMATION TECHNICIEN



Ce symbole indique que l'on peut accéder à la programmation technicien.

(*) Les composants - * - sont montés seulement dans quelques configurations de produits.

Français



12. Changement de l'eau de la chaudière (versions DT avec l'écran uniquement)



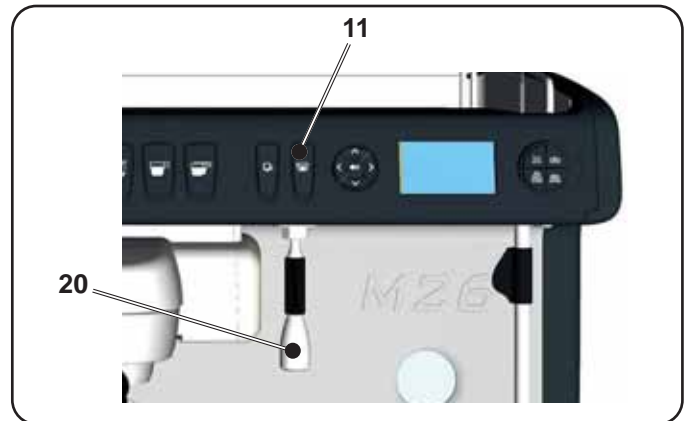
Le changement d'eau de la chaudière doit être effectué au moins une fois par jour.

N.B. : la fonction « *CHANGEMENT EAU* » peut être programmée par le personnel technique : dans ce cas, à l'heure prévue, le message de demande apparaît et le cycle de changement d'eau ne peut pas être interrompu.

S'assurer que l'indication apparaissant sur l'écran (le cas échéant) correspond à la valeur de pression d'exercice. Appuyer et maintenir enfoncée pendant environ 5 secondes la touche de distribution d'eau chaude (11).

Le message « *CHANGEMENT EAU ...%* » apparaîtra et l'eau de la chaudière (60 - 70% environ de la capacité totale) sera évacuée par la buse d'eau chaude (20).

La résistance de la chaudière et toutes les touches de distribution seront désactivées.



La distribution s'arrête automatiquement (remarque : la distribution peut être interrompue à n'importe quel moment en appuyant sur la touche 11).

Suite à cette opération, la machine fonctionne de nouveau normalement. Remplir la chaudière avec de l'eau.

13. Chauffe-tasses (si prévu)



ATTENTION : ne pas couvrir le chauffe-tasses avec des chiffons.

Les machines sont dotées d'un plateau repose-tasses (3) pour ranger les tasses.

Placer sur le plateau repose-tasses uniquement les petites tasses, les tasses et les verres pour le service de la machine à café ; **il est interdit de placer d'autres objets sur cette surface.**

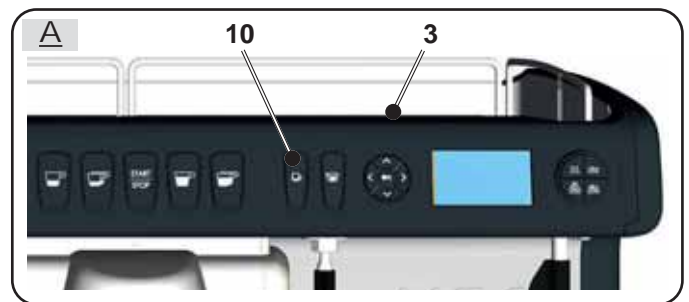
Laisser égoutter soigneusement les tasses avant de les placer sur le repose-tasses.

Versions A. N.B. : pendant la phase d'arrêt automatique, le chauffage du plateau chauffe-tasses (3) sera désactivé. Lors de la mise en marche automatique successive, la condition laissée au moment de l'arrêt sera rétablie.




En activant la modalité ÉCONOMIE D'ÉNERGIE, le chauffe-tasses se règle automatiquement sur le niveau 1.

Pour activer la résistance du plateau repose-tasses (3),

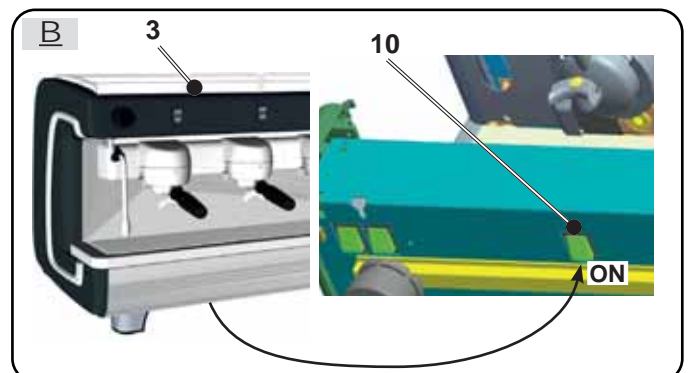
Versions B. Pour activer le chauffage, appuyer sur l'interrupteur (10) et vérifier que le voyant correspondant s'allume.



appuyer sur le bouton (10) ; pour modifier la puissance du chauffe-tasses, appuyer plusieurs fois sur le bouton (10) :

-  = symbole puissance maximale
-  = symbole puissance moyenne
-  = symbole puissance minimale
- aucun symbole = OFF

Puis, pour désactiver le chauffage du plateau (3), appuyer plusieurs fois sur la touche (10), jusqu'à ce que tout symbole disparaisse de l'écran.





14. Distribution de café


Décrocher le porte-filtre, vider le marc dans le bac à marc et le remplir avec une dose de café moulu dans le cas d'un porte-filtre 1 tasse avec filtre conique ou deux doses de café moulu dans le cas d'un porte-filtre 2 tasses avec filtre cylindrique.


Presser le café d'une façon uniforme en utilisant le tasseur monté sur le moulin ou le disque tasseur livré.

Éliminer sur le bord du filtre les éventuels résidus de café moulu.


Enclencher, en serrant bien, le porte-filtre au groupe et mettre en place la (ou les) tasse(s) en dessous du (des) bec(s) verseur(s) du porte-filtre.


Versions DT. Appuyer sur la touche de distribution de café correspondant à la dose désirée. Seule la LED correspondant à la touche sélectionnée restera allumée et la distribution commencera ; l'arrêt sera automatique.

Appuyer sur la touche  pour obtenir des distributions continues.

La distribution, dosée ou continue, peut être interrompue à n'importe quel moment en appuyant sur la touche .



Versions C. Appuyer sur la touche de distribution de café  et procéder à la distribution.

Une fois la dose souhaitée atteinte, arrêter la distribution en appuyant à nouveau sur la touche .



Le porte-filtre ne doit pas être décroché avant la fin de la distribution de café.

15. Distribution d'eau chaude



Danger de brûlure ! Utiliser les dispositifs isolants (A) pour manipuler les buses à eau et à vapeur.

La distribution d'eau chaude est contrôlée par l'économiseur, qui permet de mélanger l'eau chaude de la chaudière à l'eau froide du réseau et d'en régler la température.

Cette solution permet donc d'améliorer la qualité de l'eau et de sécuriser le travail de l'opérateur.

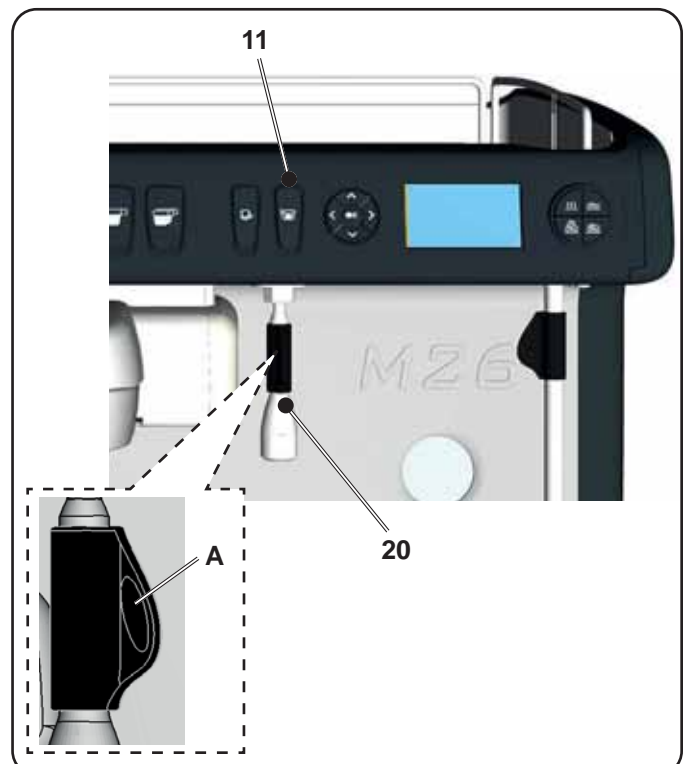
Placer le récipient approprié sous le distributeur d'eau chaude (20).

Appuyer sur la touche de distribution d'eau chaude (11).

Du distributeur (20) sortira la dose d'eau chaude programmée ; l'arrêt sera automatique.

N.B. :

- La distribution peut être interrompue à tout moment en appuyant sur le bouton (11).
- le réglage de l'économiseur pour la température de l'eau sortante est effectué par le technicien installateur.





Programmation des doses avec la fonction d' "AUTO-APPRENTISSAGE" (Versions DT sans l'écran)

On peut également programmer les doses d'eau pour le café et les doses d'eau chaude à l'aide de la fonction "AUTOAPPRENTISSAGE":



Doses de café

- 1 - Fixer au groupe le porte-filtre chargé avec la dose de café moulu.
- 2 -Placer une ou deux tasses sous les becs verseurs du porte-filtre et appuyer ensuite sur la touche à programmer; tenir appuyée la touche jusqu'à ce que la ou les tasses soient remplies au niveau désiré.



- 3 - Continuer la programmation éventuelle de toutes les touches pour le café en reprenant les opérations à partir du point 1.

A la fin de la programmation, appuyer sur la touche START/STOP. Le signal acoustique s'interrompt et confirme ainsi la mémorisation des opérations effectuées.

Appuyer sur la touche START/STOP pendant au moins 8 secondes et continuer ainsi jusqu'à ce que retentisse le signal acoustique qui sonnera pour toute la durée de la programmation.

Doses d'eau chaude

- 1 - Appuyer ensuite sur la touche à programmer; tenir appuyée la touche jusqu'à ce que le récipient soit rempli au niveau désiré.



- 2 - Continuer la programmation éventuelle de toutes les touches pour l'eau en reprenant les opérations à partir du point 1.

16. Distribution de vapeur

⚠ Danger de brûlure ! Utiliser les dispositifs isolants (A) pour manipuler les buses à eau et à vapeur.

Chauffage du lait pour le cappuccino

Recommandations générales

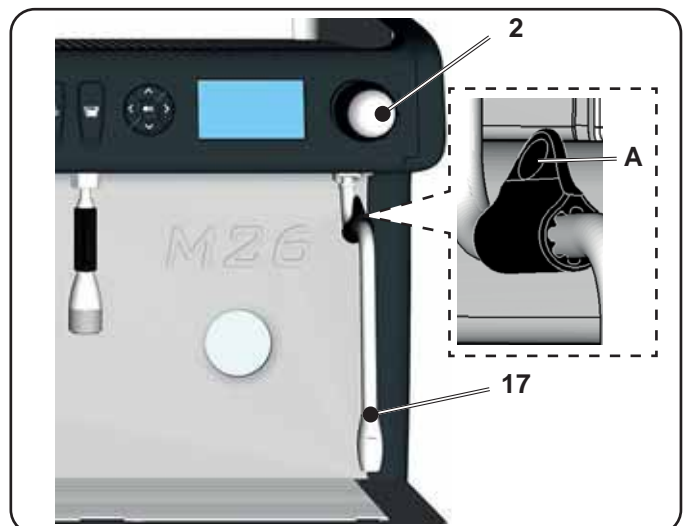
Le lait est un produit biologique et délicat qui s'abîme facilement. Sa structure se modifie sous l'effet de la chaleur. Dès son ouverture et tout au long de son utilisation, le lait doit être conservé à une température **maximum de 41°F (5°C)** ; nos appareils de conservation du lait sont prévus à cet effet.

N.B. : à la fin de la journée de travail (et quoiqu'il arrive, 24 heures au plus après l'ouverture), le lait résiduel doit être éliminé.

Distribution avec sélecteur à volant

Le système de distribution de vapeur à volant (2) est adapté aux boissons devant être émulsifiées, dans la mesure où il permet d'ouvrir progressivement le flux de vapeur.

Introduire le tuyau de distribution de la vapeur (17) dans un récipient adéquat ; distribuer la vapeur et interrompre la distribution une fois le chauffage terminé.



⚠ Nettoyage des buses à vapeur
Après chaque utilisation :

- avec une éponge propre, nettoyer à l'eau chaude la partie externe en éliminant tous les résidus organiques éventuellement présents ; bien rincer.
- nettoyer la partie interne de la buse en procédant comme suit : orienter le tube vers le bac repose-tasses et en faisant très attention, distribuer de la vapeur au moins une fois.



16.1 Distribution avec le sélecteur Turbosteam (2a) (le cas échéant)

Danger de brûlure ! Utiliser les dispositifs isolants (A) pour manipuler les buses à eau et à vapeur.

Chauffage du lait pour le cappuccino

Recommandations générales

Le lait est un produit biologique et délicat qui s'abîme facilement. Sa structure se modifie sous l'effet de la chaleur. Dès son ouverture et tout au long de son utilisation, le lait doit être conservé à une température **maximum de 41 °F (5 °C)** ; nos appareils de conservation du lait sont prévus à cet effet.







N.B. : à la fin de la journée de travail (et quoiqu'il arrive, 24 heures au plus après l'ouverture), le lait résiduel doit être éliminé.

Distribution avec le sélecteur Turbosteam (2a)

(le cas échéant)

Les machines équipées du système de distribution de vapeur TURBOSTEAM (STOP VAPEUR), offrent la fonction "arrêt de la distribution de vapeur une fois la température définie atteinte", permettant de chauffer et de faire monter le lait rapidement.

Les touches du sélecteur Turbosteam ont différentes fonctions selon la configuration suivante :

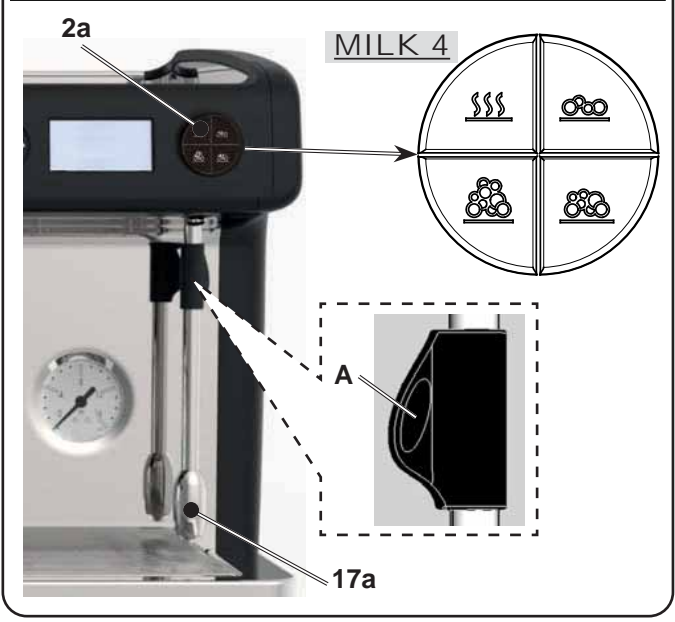
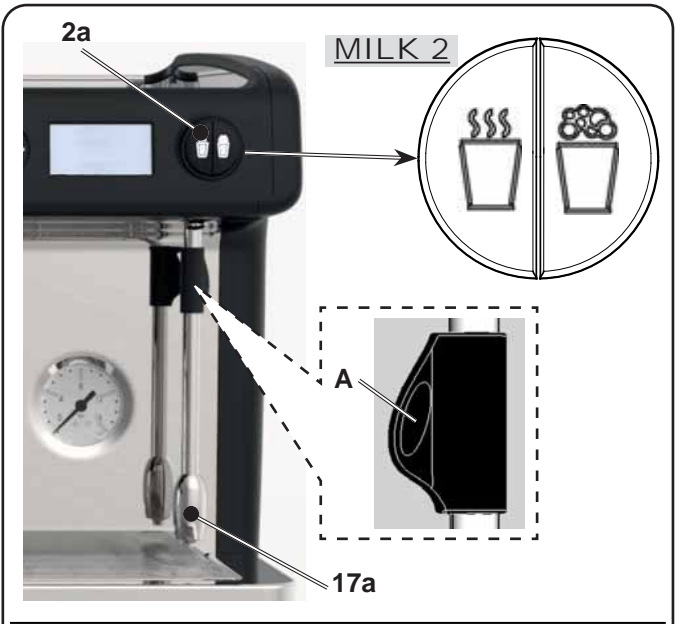
MILK 2	MILK 4
 lait monté	 lait chaud.
 lait chaud.	 lait monté (niveau minimum de montée).
	 lait monté (niveau intermédiaire de montée).
	 lait monté (niveau maximum de montée).

Introduire le tuyau de distribution de la vapeur (17a) dans un récipient adéquat, en prenant soin de plonger totalement la boule dans la boisson.

Sélectionner le type de lait que l'on souhaite obtenir et appuyer sur la touche correspondante.

Lorsque la température programmée est atteinte, la distribution de vapeur s'arrête automatiquement.

La distribution peut être interrompue à tout moment en appuyant sur n'importe quelle touche du sélecteur Turbosteam (2a).



Nettoyage des buses à vapeur

- Après chaque utilisation :**
- avec une éponge propre, nettoyer à l'eau chaude la partie externe en éliminant tous les résidus organiques éventuellement présents ; bien rincer.
 - nettoyer la partie interne de la buse en procédant comme suit : orienter le tube vers le bac repose-tasses et en faisant très attention, distribuer de la vapeur au moins une fois.

Français



17. Personnalisations de la machine (activables par le personnel TECHNIQUE)

Dans certaines configurations de produit.

Contrôle du débit

Le contrôle du débit permet de surveiller le flux de café comparé au flux de référence réglé par le technicien. Quand ce système est actif, la machine signale le cas échéant à l'utilisateur qu'il doit intervenir sur le moulin-doseur pour affiner ou grossir la mouture, afin de ramener la dose café dans les paramètres corrects.

L'utilisateur est averti par une icône animée sur l'écran services qui s'affiche à la place du symbole du niveau.

Quand l'icône apparaît la première fois, un signal sonore retentit.

Les icônes représentées sont les suivantes :



indique qu'il faut grossir la mouture. (flux de café inférieur à celui de référence).



indique qu'il faut affiner la mouture. (flux de café supérieur à celui de référence).

N. B. : Le numéro à côté de l'icône (1 ou 2) indique le moulin-doseur sur lequel il faut agir.

Après avoir réglé le moulin-doseur, l'icône disparaît automatiquement quand le flux se situe dans les limites établies. À cette fin, quelques distributions pourraient s'avérer nécessaires.



Français

Système BDS - Barista Drive System

Le système BDS est composé d'une machine à café et d'un ou deux moulins-doseurs motorisés connectés en mode Bluetooth.

Sur la machine, chaque bouton de distribution peut être configuré selon le type de recette et le moulin-doseur de référence.

Le système BDS a pour but de guider l'utilisateur dans les opérations de mouture et de distribution du café, en les rendant plus simples et intuitives.

L'activation et la configuration du système sont effectuées par le personnel technique.



LOGIQUE DE FONCTIONNEMENT

Le moulin-doseur reconnaît les porte-filtres et envoie à la machine un signal qui active les touches café, rendant les opérations de travail simples et intuitives.

Le barman place le porte-filtre associé à un mélange. Le moulin-doseur reconnaît le type de porte-filtre, distribue la bonne quantité de café moulu et en même temps communique à la machine quelle sélection activer pour la préparation de la boisson.

Le barman n'aura plus qu'à accrocher le porte-filtre et à appuyer sur la touche de distribution.





18. Nettoyage et entretien



Pour une application correcte du système de sécurité alimentaire (HACCP), respecter les indications du présent paragraphe.

Les lavages doivent être effectués en utilisant les produits d'origine « Service Line », voir les explications à la dernière page. Tout autre produit pourrait compromettre l'aptitude au contact alimentaire des matériaux.

VUE D'ENSEMBLE DES INTERVALLES DE NETTOYAGE

	À CHAQUE UTILISATION	QUOTIDIEN	HEBDOMADAIRE	SI NÉCESSAIRE OU DEMANDÉ PAR LOGICIEL	OUTILS À UTILISER
CIRCUIT CAFÉ		√		√	<ul style="list-style-type: none"> • petite brosse (1) • disque en caoutchouc (2) • détergent en poudre (3)
GROUPES CAFÉ		√			<ul style="list-style-type: none"> • petite brosse (1)
CHANGEMENT EAU CHAUDIÈRE		√		√	
PORTE-FILTRE		√			<ul style="list-style-type: none"> • récipient (4) • détergent en poudre (3) • éponge (5)
BUSE VAPEUR	√	√			<ul style="list-style-type: none"> • éponge (5)
BUSE VAPEUR AUTOMATIQUE	√	√			<ul style="list-style-type: none"> • éponge (5)
BUSE EAU		√			<ul style="list-style-type: none"> • éponge (5)
GRILLE ET BAC		√			<ul style="list-style-type: none"> • éponge (5)
BAC COLLECTEUR			√		<ul style="list-style-type: none"> • récipient (4) • éponge (5)
CARROSSERIE		√		√	<ul style="list-style-type: none"> • chiffon doux (6)



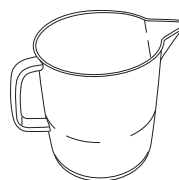
(1)



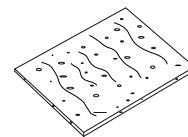
(2)



(3)



(4)



(5)



(6)

Pour les détails des opérations de nettoyage, voir les paragraphes correspondants dans les pages suivantes.



Intervention à effectuer à la fin de la journée de travail sur tous les groupes ou lorsque la machine le signale.

NETTOYAGE CIRCUIT CAFÉ

L'objectif du cycle de lavage est l'élimination des dépôts de graisse et de calcaire durant les préparations de café. Le non-respect du cycle de lavage favorise la solidification des dépôts et nuit, par conséquent, au bon rendement du circuit café.

N.B. : les opérations suivantes doivent être exécutées avec la machine allumée et sous pression.

Groupes Versions DT avec l'écran

CIRCUIT CAFÉ

ATTENTION, RISQUE DE BRÛLURES : durant les phases de lavage, de l'eau chaude et de la vapeur sortent du bec. Ne pas approcher les mains ou d'autres parties du corps avant la fin du cycle de nettoyage.

En cas de message envoyé par la machine, l'écran affichera « EXÉCUTER LAVAGE CAFÉ ».

Le message se répètera pendant une heure ou jusqu'à ce que l'opération soit effectuée.

Le circuit du café peut être soumis à différentes modalités de lavage :

- **simultané** : tous les groupes sont soumis au lavage en même temps.
- **séquentiel** : le lavage est effectué en séquence et de façon séparée sur chaque groupe ; il est possible de continuer à utiliser les groupes non concernés par le lavage ;

N.B. : la durée du lavage simultané est d'environ 7 minutes ; la durée du lavage simple est d'environ 7 minutes pour chaque groupe de distribution.

Il est en outre possible de choisir un troisième mode de lavage :

- **simple** : le lavage peut être effectué sur un groupe spécifique sans concerner obligatoirement les groupes restants ; il est possible de continuer à utiliser les groupes non concernés par le lavage.

N.B. : le lavage simple ne peut pas être effectué en cas de message envoyé par la machine.

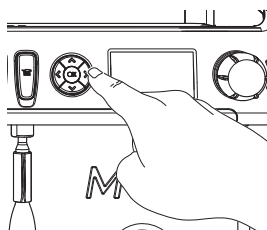
N.B. : lorsque le cycle de lavage programmé est en marche, il NE PEUT PAS être arrêté, même si l'on éteint la machine.

En cas d'interruption soudaine de l'alimentation électrique, le message « EXÉCUTER LAVAGE » apparaît lorsque la machine se remet en marche ; terminer les opérations de nettoyage comme décrit précédemment.

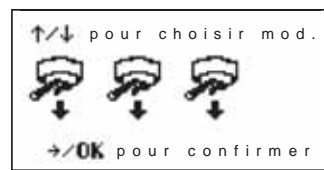
N.B. : en l'absence de messages de lavage, et si la machine est fréquemment utilisée, il est possible

d'effectuer un lavage à n'importe quel moment.

Appuyer sur la touche ► :



Placer le curseur (ligne foncée) sur la ligne désirée en utilisant les touches ▲ et ▼, puis appuyer sur la touche ► :



On peut quitter le tableau choix lavage en appuyant sur la touche ◀.

Les lavages effectués sans demande de la part de la machine peuvent être interrompus en éteignant puis en rallumant la machine.

Le non-respect des cycles de lavage programmés est mémorisé par la machine.

N.B. Le personnel technique peut activer ou non la fonction « blocage ».

Avec la fonction « blocage » active, si le cycle de lavage n'est pas effectué dans l'heure qui suit, la machine bloque la distribution de boissons.

Pour effectuer les lavages, procéder comme décrit dans les pages suivantes.



LAVAGE SIMULTANÉ



Ne pas retirer le porte-filtre pendant la distribution.

Français

1

Retirer le porte-filtre du groupe café.

2

Nettoyer la garniture de la cloche avec la petite brosse.

3

Appuyer sur la touche ►.

4

* PROG. CLIENT
MENU TOUCHE
LAVAGE
MENU DONNEES
PARAMETRES

Placer le curseur (ligne foncée) sur la ligne désirée en utilisant les touches ▲ et ▼, puis appuyer sur la touche ►.

5

↑/↓ pour choisir mod.
→OK pour confirmer

La page-écran du lavage simultané s'affiche sur le visuel (mode par défaut).

6

Confirmer le mode de lavage en utilisant la touche **OK** ; l'écran affichera :

22 SEP 17 15:15
ACCR. PORTE-FILTRE
appuyer ►
pour confirmer

7

Introduire le disque en caoutchouc dans le porte-filtre.

8

Verser 5 g de détergent en poudre, correspondant à environ deux cuillères à café.

9

Fixer tous les porte-filtres aux groupes .

10

Appuyer sur la touche ►.

11

22 SEP 17 15:15
LAVAGE GR...

Le cycle de lavage se lance. Le message "LAVAGE GR..." apparaît à l'écran. de façon alternée.

12

22 SEP 17 15:15
RETIRER PORTE-FILTRE
appuyer ►
pour confirmer

A la fin du lavage, un message "RETIRER PORTE-FILTRE" apparaît.

13

Retirer les porte-filtres.

14

Appuyer sur la touche ►.

15

22 SEP 17 15:15
RINÇAGE GR...

Le message "RINÇAGE GR..." apparaît. de façon alternée.

16

22 SEP 17 15:15

À la fin de la phase de rinçage, le lavage est terminé.



Ne pas retirer le porte-filtre pendant la distribution.

1

Retirer le porte-filtre du groupe café.

2

Nettoyer la garniture de la cloche avec la petite brosse.

3

Appuyer sur la touche ►.

4

* PROG. CLIENT
MENU TOUCHE
LAVAGE
MENU DONNEES
PARAMETRES

Placer le curseur (ligne foncée) sur la ligne désirée en utilisant les touches ▲ et ▼, puis appuyer sur la touche ►.

5

↑/↓ pour choisir mod.
→/OK pour confirmer

La page-écran du lavage simultané s'affiche sur le visuel (mode par défaut).

6

↑/↓ pour choisir mod.
→/OK pour confirmer

Utiliser les touches ▲ et ▼ pour passer au *Lavage séquentiel* ; les icônes déroulantes des groupes de la machine apparaissent à l'écran.

7

Confirmer le mode de lavage en utilisant la touche **OK** ; l'écran affichera :

22 SEP 17 15:15
ACCR. PORTE-FILTRE
GROUPE 1
appuyer ►
pour confirmer

8

Introduire le disque en caoutchouc dans le porte-filtre.

9

Verser 5 g de détergent en poudre, correspondant à environ deux cuillères à café.

10

Fixer le port-filtre au groupe 1.

11

Appuyer sur la touche ►.

12

22 SEP 17 15:15
LAVAGE GR1

Le cycle de lavage du groupe 1 commencera et l'écran affichera le message "LAVAGE GR1".

13

22 SEP 17 15:15
ACCR. PORTE-FILTRE
GROUPE 1
appuyer ►
pour confirmer

À la fin du lavage du groupe 1, le message "RETIRER PORTE-FILTREGROUPE 1" apparaîtra.

14

Retirer le porte-filtre.

15

Appuyer sur la touche ►.

16

22 SEP 17 15:15
RINÇAGE GR1.

Le message "RINÇAGE GR1" s'affichera.

17

22 SEP 17 15:15
EFFECTUER LAVAGE
GROUPE 2
appuyer ►
pour confirmer

18

À la fin du rinçage du groupe 1, le message "EXÉCUTER LAVAGE GROUPE 2" apparaîtra.

18

Répéter les opérations décrites ci-dessus pour tous les groupes de la machine.



LAVAGE SIMPLE : impossible d'effectuer un lavage simple en cas de message envoyé par la machine.



Ne pas retirer le porte-filtre pendant la distribution.

Français

1

Retirer le porte-filtre du groupe café.

2

Nettoyer la garniture de la cloche avec la petite brosse.

3

Appuyer sur la touche ►.

4

* PROG. CLIENT
MENU TOUCHE
LAVAGE
MENU DONNEES
PARAMETRES

Placer le curseur (ligne foncée) sur la ligne désirée en utilisant les touches ▲ et ▼, puis appuyer sur la touche ►.

5

↑/↓ pour choisir mod.
→/OK pour confirmer

La page-écran du lavage simultané s'affiche sur le visuel (mode par défaut).

6

↑/↓ pour choisir mod.
→/OK pour confirmer

Utiliser les touches ▲ et ▼ pour passer au *Lavage simple* ; un rectangle met en évidence le groupe qui sera soumis au lavage.

7

↑/↓ pour choisir mod.
→/OK pour confirmer

Utiliser les touches ▲ et ▼ pour choisir le groupe à laver.

8

22 SEP 17 15:15
ACCR. PORTE-FILTRE
GROUPE 3
appuyer ►
pour confirmer

Confirmer le choix (exemple groupe 3) en utilisant la touche **OK** ; l'écran affichera :

9

Introduire le disque en caoutchouc dans le porte-filtre.

10

Verser 5 g de détergent en poudre, correspondant à environ deux cuillères à café.

11

Fixer le port-filtre au groupe 3.

12

Appuyer sur la touche ►.

13

22 SEP 17 15:15
LAVAGE GR3

Le cycle de lavage du groupe 3 commencera et l'écran affichera le message "LAVAGE GR3".

14

22 SEP 17 15:15
ACCR. PORTE-FILTRE
GROUPE 3
appuyer ►
pour confirmer

À la fin du lavage du groupe 3, le message "RETIRER PORTE-FILTRE GROUPE 3" apparaîtra.

15

Retirer le porte-filtre.

16

Appuyer sur la touche ►.

17

22 SEP 17 15:15
RINÇAGE GR3.

Le message "RINÇAGE GR3" s'affichera.

18

22 SEP 17 15:15

À la fin de la phase de rinçage, le lavage est terminé.

19

22 SEP 17 15:15

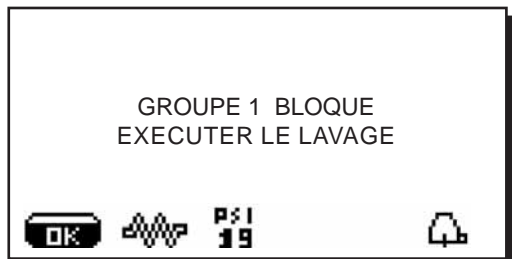
Répéter les opérations décrites ci-dessus pour les groupes à laver.



FONCTION BLOCAGE

Quand la machine est bloquée, un message d'avertissement apparaît à l'écran : en appuyant sur la touche ► et en suivant les instructions apparaissant à l'écran, le lavage est exécuté et la machine est débloquée.

Par exemple, dans le cas d'un "blocage café" apparaissant à l'écran, le message suivant s'affiche :



Le numéro du "groupe bloqué" s'affiche alternativement et dépend du numéro des groupes de la machine.

En appuyant sur la touche ►, le message précédent sera complété de la façon suivante :



Au moment où le message "INSÉRER LE PORTE-FILTRE - GROUPE 1" apparaît, le message de blocage relatif au groupe 1 disparaît. Les messages de blocage relatifs aux groupes restant à laver continuent à apparaître de façon alternée.

Pour l'exécution du lavage, procéder alors comme décrit dans les pages précédentes.

CHANGEMENT D'EAU DE LA CHAUDIÈRE - Intervention à effectuer au moins une fois par jour

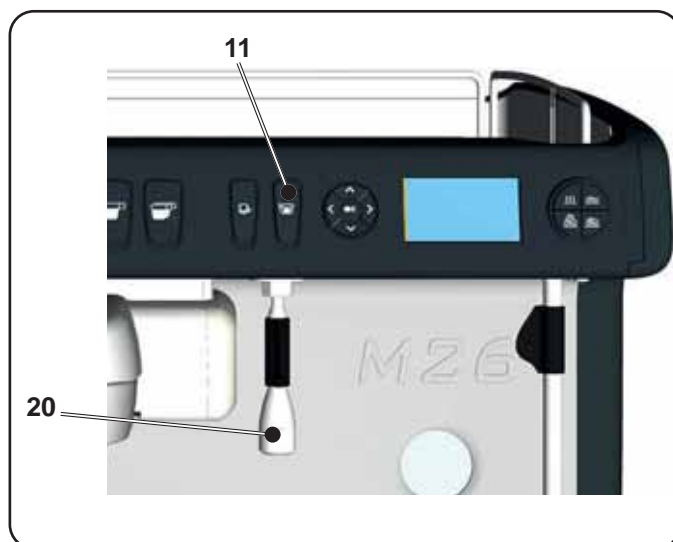
Versions DT avec l'écran. Appuyer et maintenir enfoncée pendant environ 5 secondes la touche de distribution d'eau chaude (11).

Le message "CHANGEMENT EAU...%" apparaîtra et l'eau de la chaudière (60 - 70% environ de la capacité totale) sera évacuée par la buse d'eau chaude (20).

La distribution s'arrête automatiquement.

Suite à cette opération, la machine fonctionne de nouveau normalement. Remplir la chaudière avec de l'eau.

Versions C / Versions DT sans l'écran. Distribuer de façon répétée (en actionnant la commande correspondante) jusqu'à prélever au moins 5 litres pour machine à 2 groupes, 8 litres pour machine à 3 groupes.





Groupes Versions DT sans l'écran



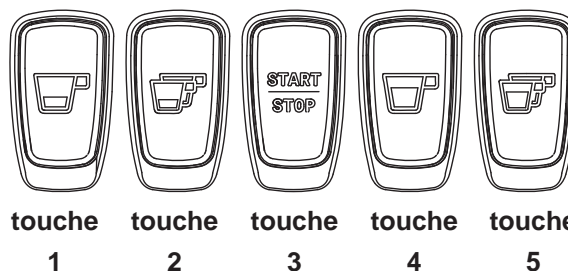
Intervention à effectuer à la fin de la journée de travail sur tous les groupes.

Procédure guidée pour réaliser le lavage simultané des groupes café dans les machines sans écran ni clavier de programmation.



La fonction est disponible uniquement si une séquence de 5 « bips » est émise par le vibreur sonore du circuit imprimé lors de l'allumage de la machine.

Clavier des groupes



Français

1

Pour activer la fonction de lavage, allumer la machine en maintenant enfoncées, dans les 5 premières secondes lors de l'émission des signaux « bips » par le circuit, les touches 1 et 3 de l'un des groupes café.

2

Pendant l'attente du début du lavage, les touches 1 et 2 clignotent simultanément et sont accompagnées à chaque seconde par le son du vibreur sonore. Toutes les autres touches sont éteintes.

3

Nettoyer la garniture de la cloche avec la petite brosse.

4

Introduire le filtre sans trous dans le porte-filtre.

5

Verser 5 g de détergent en poudre, correspondant à environ deux cuillères à café.

6

Fixer le porte-filtre au groupe.

7

Appuyer sur une touche 3 pour passer à l'étape suivante.

8

Un cycle de distribution d'environ 10 secondes commence sur chaque groupe (avec les touches 1 et 2 allumées de manière fixe), alterné avec une pause d'environ 10 secondes (avec les touches 1 et 2 clignotantes). Toutes les autres touches sont éteintes, ainsi que le vibreur sonore. Le cycle distribution/pause est répété automatiquement une dizaine de fois.

! Ne pas retirer le porte-filtre pendant la distribution.

9

À la fin du cycle distribution/pause, les touches 4 et 5 clignotent simultanément et sont accompagnées à chaque seconde par le son du vibreur sonore. Toutes les autres touches sont éteintes.

10

Retirer les porte-filtres.

11

Appuyer sur une touche 3 pour passer à l'étape suivante.

12

Un cycle de rinçage d'environ 30" commence sur chaque groupe (avec les touches 3 et 4 allumées de manière fixe), alterné avec une pause d'environ 30" (avec les touches 3 et 4 clignotantes). Toutes les autres touches sont éteintes, ainsi que le vibreur sonore. Ce cycle est répété automatiquement deux fois.

13

À la fin du cycle de rinçage, le lavage est terminé et le fonctionnement normal de la machine est rétabli.

REMARQUE. Pour interrompre le lavage, éteindre la machine : le fonctionnement normal sera rétabli lors du prochain rallumage.



Groupes Versions C



Intervention à effectuer à la fin de la journée de travail sur tous les groupes.

1

Retirer le porte-filtre du groupe café.

2

Nettoyer la garniture de la cloche avec la petite brosse.

3

Introduire le disque en caoutchouc dans le porte-filtre.

4

Verser 5 g de détergent en poudre, correspondant à environ deux cuillères à café.

5

Fixer le porte-filtre au groupe.

6

Appuyer sur le bouton START/STOP et appuyer de nouveau au bout de 10". Recommencer cette opération 10 fois.

Ne pas retirer le porte-filtre pendant la distribution.

7

Enlever le porte-filtre ; appuyer sur le bouton START/STOP et effectuer le rinçage en ouvrant l'eau pendant environ 30".

NETTOYAGE DES PORTE-FILTRES - Intervention à effectuer à la fin de la journée de travail sur tous les porte-filtres

1

Dans un récipient adapté, qui ne doit pas être en aluminium ou en fer, verser un litre d'eau chaude (122 - 176 °F ; 50 - 80 °C) et 10 g de détergent en poudre, correspondant à environ 4 cuillères à café.

2

Enlever les filtres des porte-filtres.

3

Plonger filtres et porte-filtres dans la solution pendant au moins 15 minutes.

N.B. ! Plonger uniquement les parties métalliques.

4

Retirer les résidus éventuels à l'aide d'une éponge non abrasive et rincer abondamment à l'eau froide du robinet.

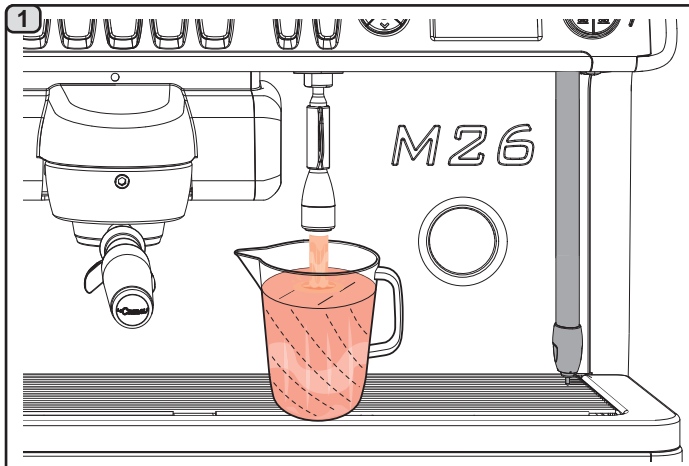
5

Remonter les filtres dans les porte-filtres, en s'assurant que le ressort de fixation (A) du filtre est bien en place.



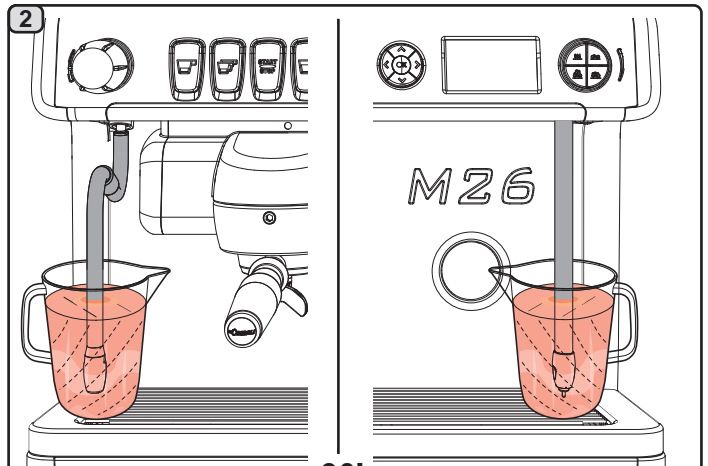
NETTOYAGE BUSES À VAPEUR MANUELLES/AUTOMATIQUES - Intervention à effectuer à la fin de la journée de travail

Français



> 194 °F

Dans un récipient adéquat, prélever de la chaudière une quantité d'eau chaude adaptée (> 194 °F) afin de recouvrir la partie de buse entrée en contact avec le lait.



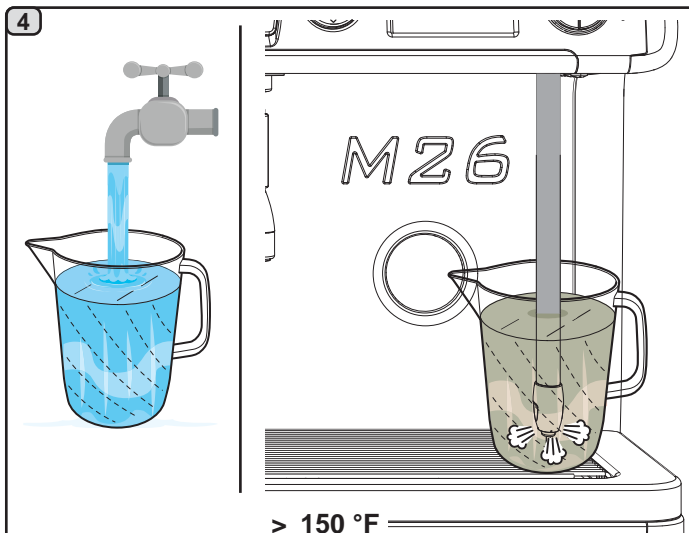
MANUELLE

30'

AUTOMATIQUE

Laisser la buse tremper pendant au moins 30 minutes.

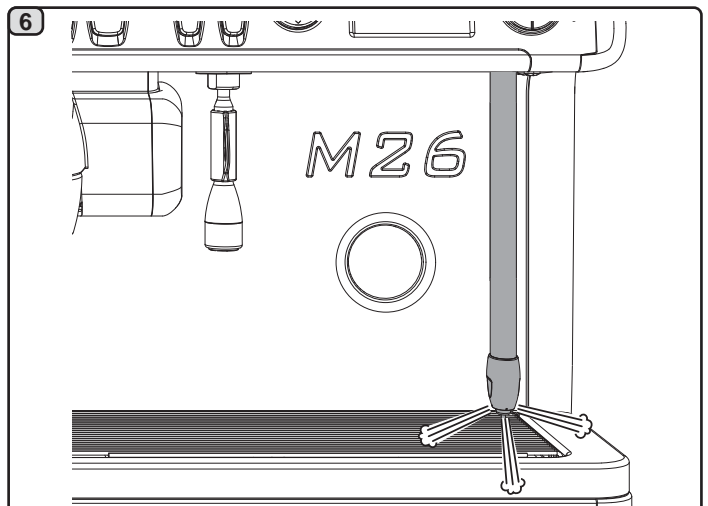
3 Jeter l'eau et rincer soigneusement le récipient.



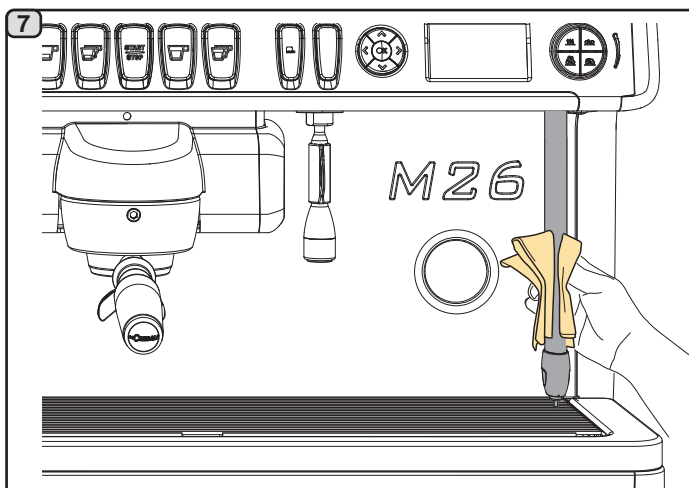
> 150 °F

À l'aide de la buse, réchauffer à une température d'au moins 150 °F une quantité d'eau froide en mesure de recouvrir la partie de buse entrée en contact avec l'eau chaude utilisée au point 1).

5 Jeter l'eau et rincer soigneusement le récipient.



Orienter la buse vers le bac repose-tasses et distribuer de la vapeur pendant 10 secondes en faisant très attention.



Sécher la buse avec une éponge propre légèrement humide ne laissant pas de résidus de fibres.



NE PAS utiliser de produits abrasifs.

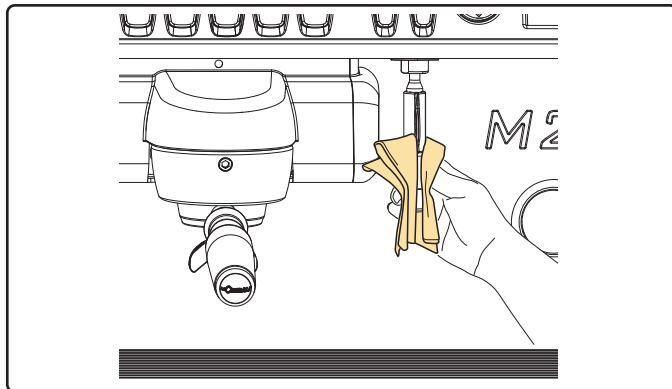


BUSE EAU CHAUDE - Intervention à effectuer à la fin de la journée de travail

À l'aide d'une éponge propre, nettoyer à l'eau chaude et enlever les résidus organiques éventuellement présents ; bien rincer.



NE PAS utiliser de produits abrasifs.



N.B. : les opérations suivantes peuvent également être effectuées lorsque la machine est éteinte.

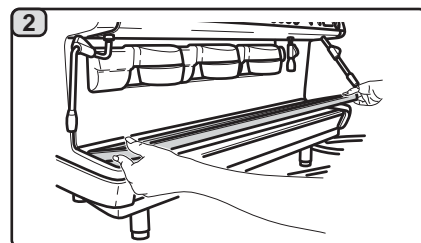
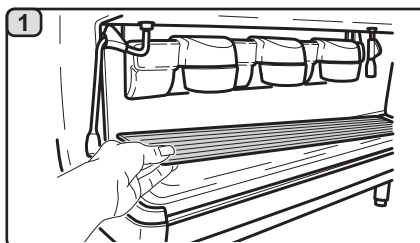
GRILLES ET BAC D'ÉGOUTTEMENT - Intervention à effectuer à la fin de la journée de travail

1. Enlever la grille du bac.
2. Extraire le bac.
3. Terminer le nettoyage de la grille et du bac à l'eau courante.



Danger de brûlures

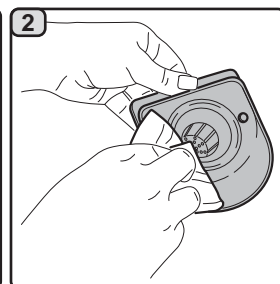
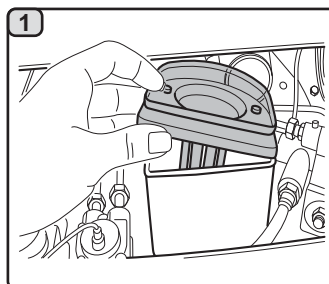
NE PAS introduire les mains sous le panneau frontal.



BAC COLLECTEUR

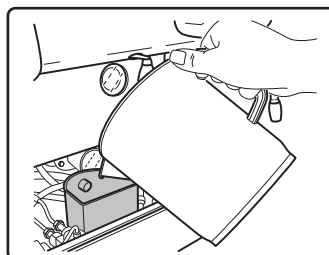
- Intervention à effectuer une fois par semaine

1. Après avoir retiré le bac d'égouttement, extraire le couvercle du bac collecteur.
2. Retirer les résidus éventuels à l'aide d'une éponge et rincer abondamment à l'eau froide.



- Intervention à effectuer à la fin de la journée de travail

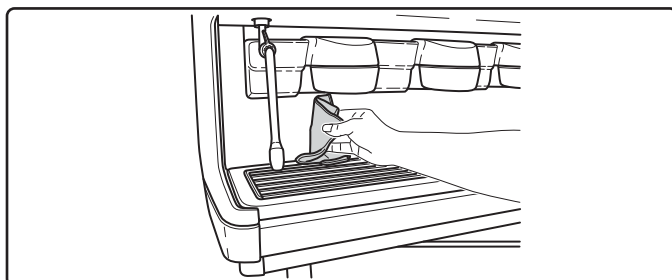
Verser un pot d'eau chaude dans le bac collecteur pour éliminer toutes incrustations.



CARROSSERIE - Intervention à effectuer à la fin de la journée de travail

Nettoyer avec un chiffon doux et des produits SANS ammoniac, en enlevant les éventuels résidus organiques présents dans la zone de travail.

N.B. : ne pas vaporiser de liquide dans les cavités des panneaux de la carrosserie.





19. Anomalies - Avaries

Interventions directes de la part du client

Avant d'appeler le SAV, pour éviter toute dépense inutile, veuillez vérifier que le problème rencontré sur votre machine n'est pas indiqué dans le tableau suivant.

ANOMALIE	CAUSE	SOLUTION
La machine à café ne fonctionne pas et l'écran (16) est éteint.	Interruption de l'énergie électrique.	Vérifier la présence d'énergie électrique. Vérifier la position de l'interrupteur général (1).
Le porte-filtre (21) fuit.	La garniture de la soucoupe est encrassée de café.	Nettoyer avec la petite brosse fournie avec la machine à café.
Le temps de distribution du café est trop court.	Café moulu trop gros. Café trop vieux.	Réduire le grain de mouture du café. Remplacer le café.
Le café descend goutte à goutte.	Les petits trous du filtre sont encrassés ou l'orifice de sortie du porte-filtre (21) est sale. Mouture du café trop fin.	Nettoyer. Augmenter le grain de mouture.
Fuite d'eau sous la machine.	Puisard d'évacuation trop plein. Sortie du bac collecteur bouché.	Nettoyer. Nettoyer.
La machine est chaude mais elle ne distribue pas de café.	Le robinet du réseau ou le robinet de l'adoucisseur est fermé. Absence d'eau dans le réseau.	Ouvrir les robinets. Attendre le rétablissement du réseau ou appeler un plombier.
Le niveau fonctionne constamment.	Mêmes causes qu'au point précédent.	Mêmes solutions qu'au point précédent.

Messages explicites

MESSAGE	CAUSE : quand il s'affiche	SOLUTION
Machine froide patienter	Ce message apparaît à l'écran lorsque l'on appuie sur l'une des touches de distribution jusqu'à ce que la pression de la chaudière services se trouve en-deçà de la pression de travail définie.	Une fois la pression de travail atteinte, le message disparaît automatiquement.
Exécuter entretien	Le message s'affiche lorsque la machine nécessite un entretien. Afin d'éliminer temporairement le message, maintenez la touche ◀ enfoncée pendant environ 8 secondes. Le message réapparaîtra au prochain allumage de la machine avec l'interrupteur.	Contactez un technicien agréé. Le message restera affiché jusqu'à ce que l'entretien soit effectué.
Effectuer régénération résines	Le message apparaît lorsque les résines de l'adoucisseur doivent être régénérées. (Voir les instructions sur l'entretien de l'adoucisseur).	Une fois la régénération résines effectuée, appuyer sur ◀ pendant environ 8 secondes pour effacer le message.
Remplacement filtre	Le message s'affiche lorsque la machine demande une intervention de remplacement du filtre eau. Afin d'éliminer temporairement le message, maintenez la touche ◀ enfoncée pendant environ 8 secondes. Le message réapparaîtra à intervalles réguliers.	Contactez un technicien agréé. Le message restera affiché jusqu'à ce que le filtre soit remplacé. N.B. : la nécessité de remplacer le filtre est mémorisée par la machine.
Machine éteinte	Le message s'affiche lorsque l'allumage et l'extinction automatiques de la machine ont été programmés. Le message indique que la machine est éteinte et qu'elle se trouve en mode veille.	Pour programmer l'allumage et l'extinction automatiques, voir la section du manuel consacré aux « Paramètres client ». Appuyez sur n'importe quelle touche de distribution pour forcer l'allumage.
Energy saving mode	Le message s'affiche lorsque la machine est en mode ÉCONOMIE D'ÉNERGIE.	Appuyez sur n'importe quelle touche de distribution pour sortir du mode ÉCONOMIE D'ÉNERGIE et revenir à la phase de travail de la machine
Messages concernant les lavages		Voir le chapitre « Nettoyage et entretien » de ce manuel.

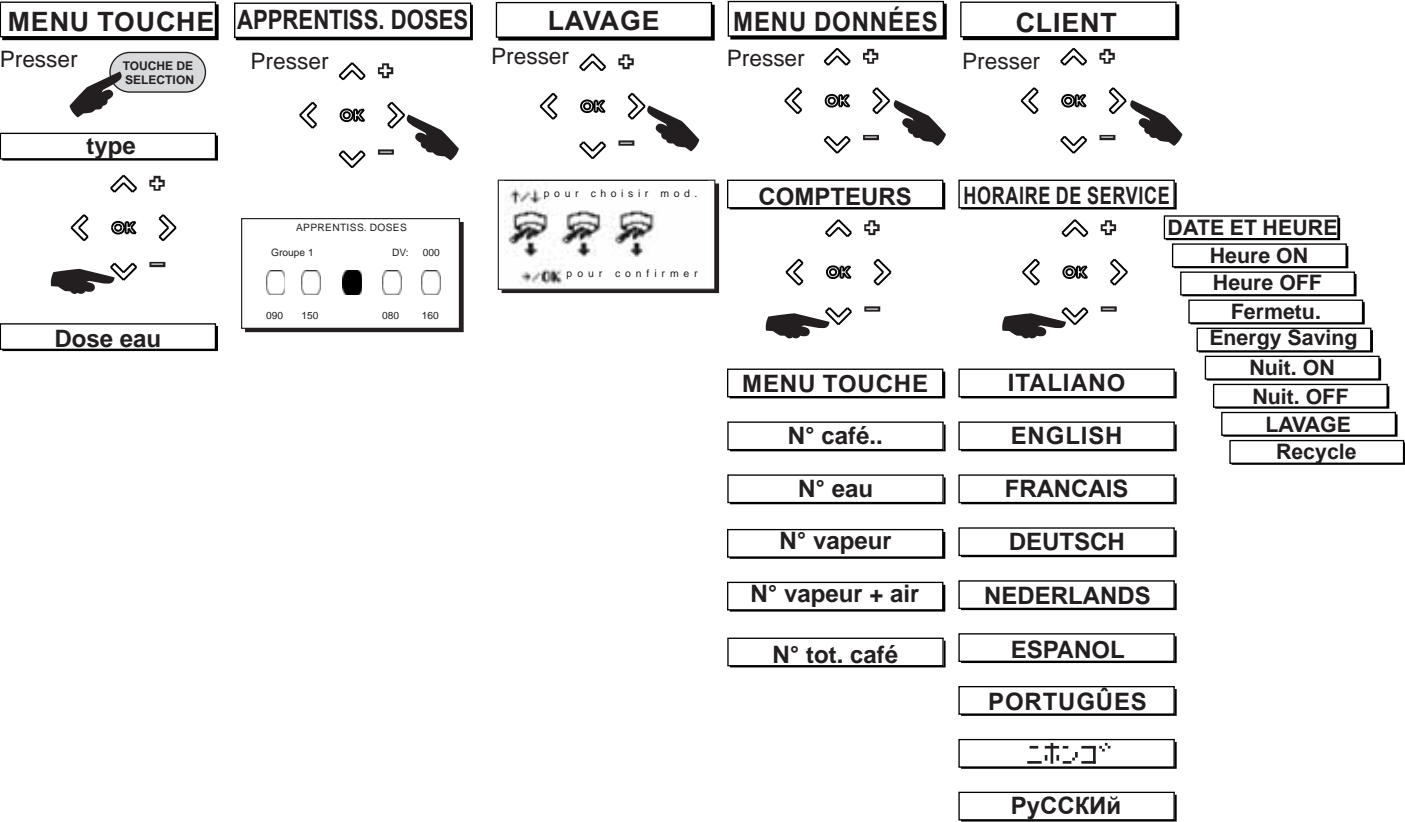


PROGRAMMATION DU CLIENT (versions DT avec l'écran uniquement)

20. Flux de programmation client



Seulement si "Progr. Client" est OUI et si "Bloc program." est NON



Français



QUITTER LES TABLEAUX DE PROGRAMMATION

- Avant de quitter les tableaux:
- appuyer sur la touche **OK** pour confirmer les éventuelles modifications apportées aux valeurs;
 - appuyer sur la touche **←** pour laisser les valeurs inaltérées



21. Réglage de l'horloge

Pour régler l'horloge, utiliser les touches ▲ et ▼.
 À chaque pression, l'heure augmente (ou diminue) d'une minute.
 En maintenant enfoncée l'une des touches (▲ ou ▼) pendant plus de 10 secondes, l'indication des minutes s'arrête et l'indication des heures augmente (ou diminue).
 Durant la phase de réglage de l'heure, le calcul des secondes reste stable sur « 00 ».



22. Comment accéder à la programmation

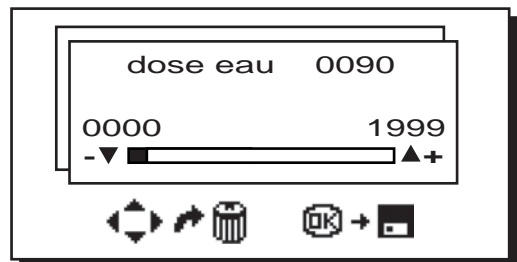
Français

N.B. : seulement si l'élément "Progr. Client" est réglé sur "OUI" et l'élément "bloquage progr." est réglé sur "NON" :

Pour accéder à la programmation, appuyer sur la touche ► ; l'écran affiche le message suivant :



N.B. : durant la phase de modification des données, le curseur devient « → », ou une barre de défilement s'affiche avec les valeurs minimale et maximale de réglage :



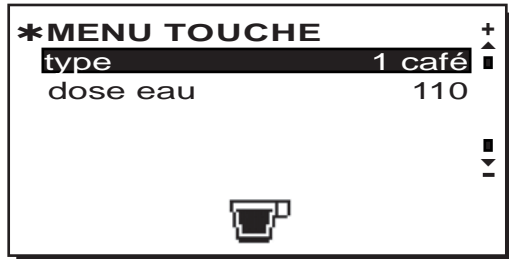
Placer le curseur (ligne foncée) sur la ligne désirée en utilisant les touches ▲ et ▼, puis appuyer sur la touche ►. Modifier la valeur toujours à l'aide des touches ▲ et ▼ ; il y a alors 2 possibilités :

- 1) Confirmer les modifications en appuyant sur la touche **OK**
- 2) quitter le menu sans modifier les données en appuyant sur la touche ◀.



23. Menu touche - Sélection Café

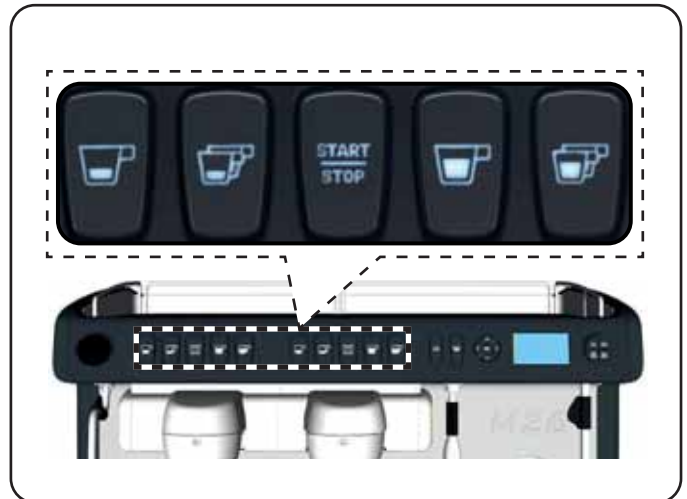
Appuyer sur l'une des touche de distribution de café sur le clavier de sélection (la led correspondante reste allumée) ; l'écran affiche :



Chaque groupe est commandé par un tableau de commande qui permet pour chaque touche de mémoriser la quantité à distribuer.

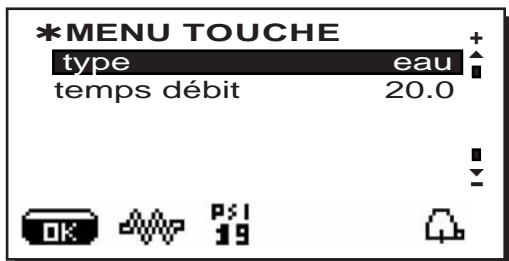
Le paramètre de la sélection café qu'il est possible de modifier est :

- **dose eau** (impulsions doseur volumétrique).



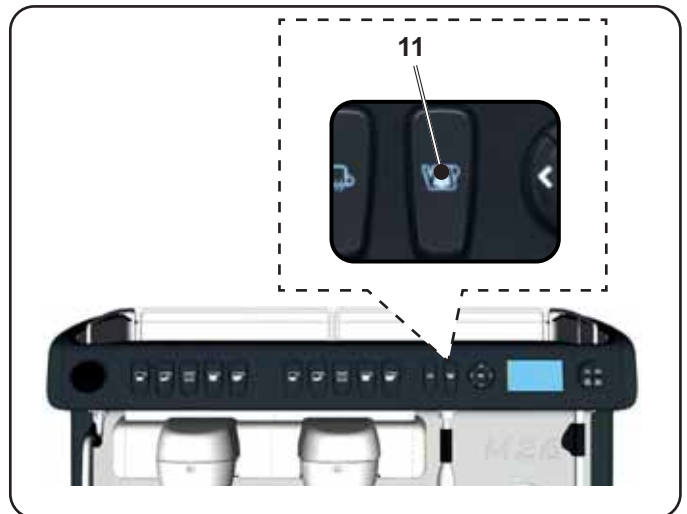
24. Menu touche - Sélection Eau Chaude

Appuyer sur la touche (11) de distribution d'eau chaude ; l'écran affichera :



Le paramètre de la sélection eau chaude qu'il est possible de modifier est :

- **temps de distribution eau** (temps de distribution eau).

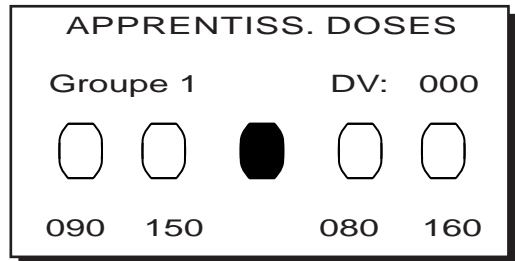




25. Programmation des doses avec la fonction d' "AUTO-APPRENTISSAGE"

Il est possible de programmer les doses d'eau pour le café et les doses d'eau chaude également avec la fonction d' « AUTO- APPRENTISSAGE ».

Placer le curseur (ligne foncée) sur la ligne désirée en utilisant les touches ▲ et ▼, puis appuyer sur la touche ►. L'écran affiche le message suivant :



Doses café

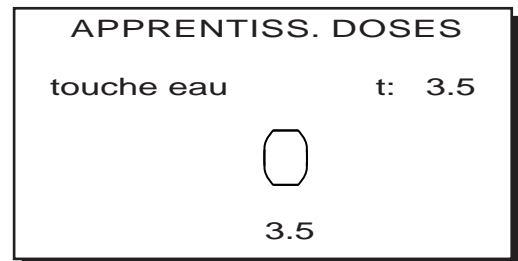
- 1 - Fixer le porte-filtre chargé de la dose de café moulu au groupe.
- 2 - Disposer la tasse ou les tasses sous les becs du porte-filtre et appuyer sur le bouton à programmer. Maintenir le bouton enfoncé jusqu'à ce que le niveau souhaité soit atteint dans la tasse ou dans les tasses.

Doses eau chaude

- 1 - Appuyer sur le bouton à programmer. Maintenir le bouton enfoncé jusqu'à ce que le niveau souhaité soit atteint dans la tasse.



Au cours de cette phase, le temps en secondes (en haut à droite sur l'écran) augmente ; en relâchant le bouton, la valeur atteinte est mémorisée et s'affiche sous la touche programmée.



Au cours de cette phase, la valeur des impulsions du doseur volumétrique (en haut à droite sur l'écran) augmente ; en relâchant le bouton, la valeur atteinte est mémorisée et s'affiche sous la touche programmée.

- 3 - Continuer l'éventuelle programmation de tous les boutons de café en reprenant les opérations à partir du point 1.

- 2 - Continuer l'éventuelle programmation de tous les boutons d'eau en reprenant les opérations à partir du point 1.

À la fin, confirmer les modifications en appuyant sur la touche **OK** ou quitter le menu sans modifier les données en appuyant sur la touche ◀.

26. Lavage

Appuyer sur la touche ► et placer le curseur (ligne foncée) sur la ligne souhaitée à l'aide des touches ▲ et ▼ ; l'écran affichera le message suivant :



Pour les modalités d'exécution des lavages, consulter le chapitre « **Nettoyage et entretien** ».

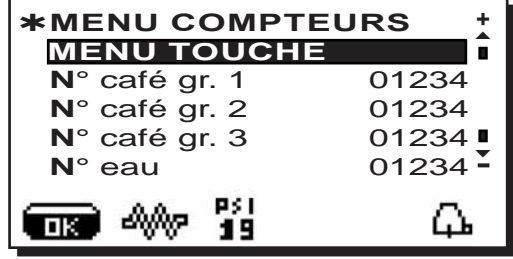


27. Menu données - Affichage et remise à zéro des compteurs

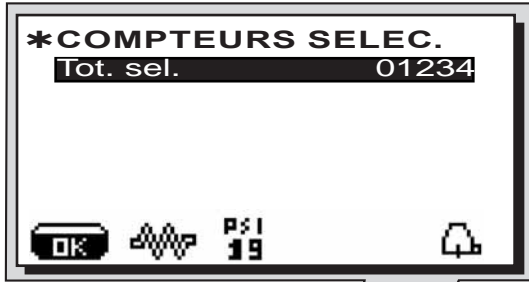
1 Appuyer sur la touche ► et placer le curseur (ligne foncée) sur la ligne souhaitée à l'aide des touches ▲ et ▼ ; l'écran affichera le message suivant :



2 Les compteurs apparaissent en appuyant sur la touche ►. L'écran affiche le message suivant :



3 En appuyant sur n'importe quelle touche de distribution, la LED correspondante reste allumée et l'écran affiche le nombre de distributions effectuées avec la touche en question :



Les compteurs de la sélection peuvent être remis à zéro en appuyant sur la touche ►, puis sur la touche ▲ ou ▼. En appuyant sur la touche OK la remise à zéro est confirmée ; en appuyant sur la touche ◀ on revient à l'affichage précédent.

4 Les paramètres qui sont comptabilisés sont :
 - **café** (nombre de boissons à base de café) ;
 - **eau** (nombre de distributions d'eau) ;
 - **tot café** (nombre total de boissons à base de café).

Les compteurs peuvent être remis à zéro en alignant le curseur sur l'élément en question, en appuyant sur la touche ►, puis sur la touche ▲ ou ▼.

En appuyant sur la touche OK la mise à zéro est confirmée. La ligne « Nombre cafés » apparaît autant de fois que le nombre de groupes de la machine.

N.B. : Les paramètres qui ne peuvent pas être remis à zéro sont :

- tot. café

En appuyant de nouveau sur la touche ◀ on revient au tableau principal.



28. Menu Paramètres client

Appuyer sur la touche ► et placer le curseur (ligne foncée) sur la ligne souhaitée à l'aide des touches ▲ et ▼ ; l'écran affichera le message suivant :

Pour accéder au tableau "Paramètres client", appuyer sur la touche ►.

L'écran affiche le message suivant :



Français

CHOIX DE LA LANGUE

Pour sélectionner une langue d'affichage différente de celle par défaut, après avoir accédé aux « Paramètres client », positionner le curseur sur la langue souhaitée en appuyant sur les touches ▲ ou ▼ puis appuyer sur la touche ► ; la machine redémarre en affichant les messages dans la langue sélectionnée.





MENU HORAIRE DE SERVICE

En appuyant sur la touche ► après avoir placé le curseur sur la ligne "horaire de service", l'écran affiche :



Les paramètres du menu horaire de service pouvant être modifiés sont les suivants :

- **heure ON** (heure d'allumage) ;
- **heure OFF** (heure d'extinction) ;
- **fermeture** (jour de fermeture) ;

Recommandations à caractère général

Si aucun jour de fermeture n'est prévu, régler l'élément "fermeture" sur "aucune".

Si vous ne souhaitez pas utiliser la fonction d'allumage/ extinction automatique et que vous préférez allumer et éteindre la machine manuellement, régler "heure ON" et "heure OFF" sur la même heure (exemple :

heure ON 22h00
 heure OFF 22h00).

- **Energy saving.** (activer/désactiver la fonction Économie d'Énergie : OUI/NON) ;
- **Nuit ON** (heure de début du prix nuit des boissons ; seulement si relié à un système de paiement) ;
- **Nuit OFF** (heure de fin du prix nuit des boissons ; seulement si relié à un système de paiement) ;

- **Lavage** (horaire de lavage programmable) ; IL S'AGIT d'un lavage programmable ; à l'heure définie, l'écran affiche "EXÉCUTER LAVAGE CAFÉ". Lorsqu'il est demandé, il prévoit l'exécution d'un lavage (simultané ou séquentiel), selon les modalités décrites dans le paragraphe "Opérations de nettoyage". Pour régler l'heure d'affichage de la demande de lavage, procéder de la façon suivante :
 - positionner le curseur sur la ligne **LAVAGE**;
 - appuyer sur la touche ► ;
 - modifier la valeur, à l'aide des touches ▲ et ▼ ;
 - en appuyant sur la touche **OK** pour confirmer la donnée.

Pour ne pas activer ce lavage, régler sur OFF en plaçant le curseur sur l'horaire. OFF s'affiche en appuyant sur la touche ▼ quand l'heure indiquée est "00h00".

N.B. Le personnel technique peut activer ou non la fonction « blocage ».

Avec la fonction « blocage » active, si le cycle de lavage n'est pas effectué dans l'heure qui suit, la machine bloque la distribution des boissons.

- **Changement** (changement eau programmable) ; La fonction « **changement d'eau** » avec la demande à une heure programmée est paramétrée par le personnel technique, lequel peut également activer ou non la fonction « blocage ».

Avec « blocage » actif, si le changement d'eau ne se produit pas dans l'heure qui suit, la machine bloque la distribution de boissons.

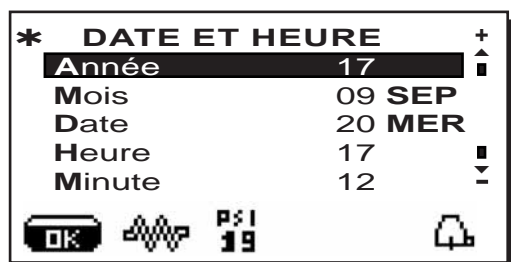
Avec la demande à une heure programmée, l'utilisateur peut seulement changer l'heure d'apparition de la demande.

Pour modifier l'heure, procéder comme suit :

- positionner le curseur sur la ligne **Changement** ;
- appuyer sur la touche ► ;
- modifier la valeur, à l'aide des touches ▲ et ▼ ;
- appuyer sur la touche **OK** pour confirmer la donnée.

DATE ET HEURE

Pour modifier la date et l'heure, appuyer sur la touche ► en plaçant le curseur sur la ligne correspondante ; l'écran affiche le message :



Déplacer le curseur (ligne foncée) sur l'élément à modifier, à l'aide des touches ▲ et ▼, puis appuyer sur la touche ► ; le curseur devient → et pour modifier la valeur de l'élément sélectionné, utiliser de nouveau les touches ▲ et ▼. Lorsque l'opération est terminée, appuyer sur la touche **OK** pour confirmer la donnée.

N.B. : le curseur redevient une ligne foncée. Répéter les opérations précédemment indiquées pour modifier les autres paramètres.

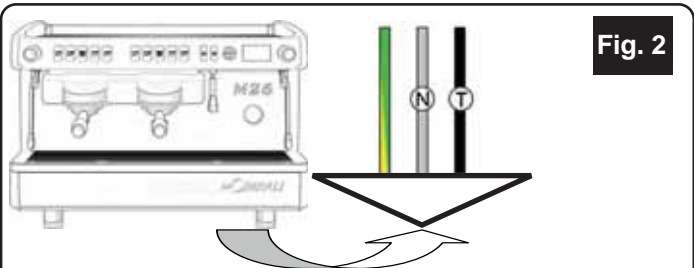
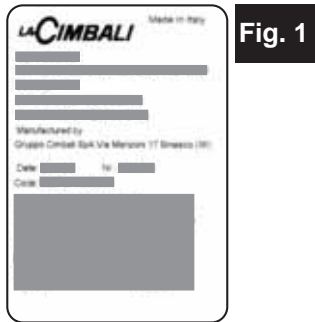


Cette page est délibérément laissée vierge.



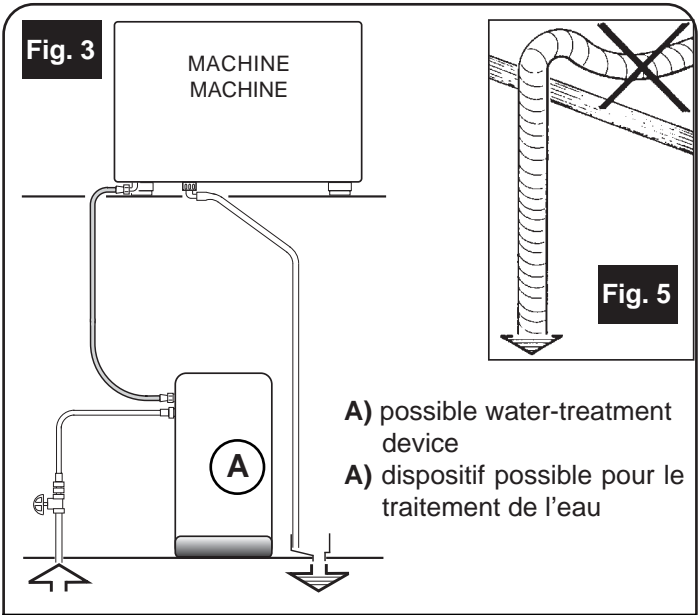
Illustrations - Images

- see *Installation Rules* chapters
- voir chapitres *Consignes d'installation*



Wire colours - Couleur des câbles
Single-phase connection - Raccordement monophasé

N White - Blanc	N Blue - Bleu
T Black - Noir	T Brown - Brun
①	②



A) possible water-treatment device
A) dispositif possible pour le traitement de l'eau

Install a water feeding tap
installer un robinet d'eau

WATER MAINS MAX. PRESSURE
PRESSION MAX. EAU DE VILLE

87 psi (6 bar - 0,6 MPa)
(for pressure beyond this value, install a pressure reducer)
(pour des pressions plus élevées, installer un détendeur)

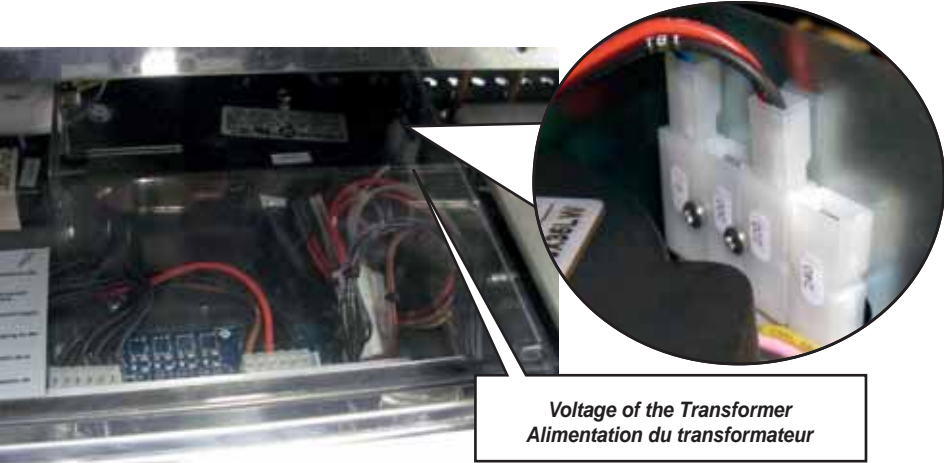
Ø 3/8 GAS

Fig. 4

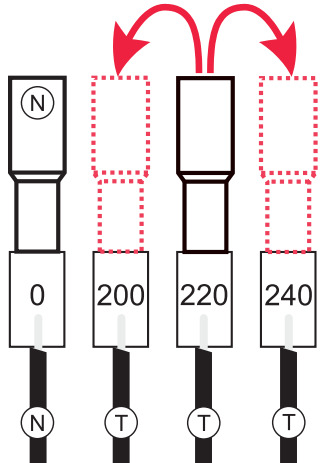
DRAIN
VIDANGE DU LOCAL
Min. Ø 2 inches 50 mm.

Changing the Voltage of the Transformer - Changement de la tension d'alimentation du transformateur

The machine is factory-made for the voltage 220V. If the voltage is different (obviously in the range of the same voltage category, that is V. 200 - 220 - 240), the connections of the phase wire must be changed as shown in the figure.
La machine est équipée en usine pour la tension d'alimentation 220V. Si la tension d'alimentation est différente (dans le cadre de la même catégorie de tension: V. 200 - 220 - 240), il est nécessaire de changer les branchements du fil de phase, comme indiqué sur la figure.



Voltage of the Transformer
Alimentation du transformateur



**EN**

GRUPPO CIBALI S.p.A.
Via A. Manzoni, 17
20082 Binasco
(MI) Italy

GRUPPO CIBALI reserves the right to make changes to the machines in accordance with the needs of individual countries and on the basis of technological progresses.

This publication may not, either in whole or in part, be used, copied or published without the written authorisation of GRUPPO CIBALI S.p.A.

© Copyright by GRUPPO CIBALI S.p.A., Milan, Italy
All rights reserved

FR

GRUPPO CIBALI S.p.A.
Via A. Manzoni, 17
20082 Binasco
(MI) Italy

La société GRUPPO CIBALI se réserve le droit d'apporter des changements à l'équipement de la machine conformément aux exigences des pays, et d'effectuer des modifications dues au progrès technique. Aucune partie de cette publication ne peut être utilisée, copiée ou publiée sans l'autorisation écrite de GRUPPO CIBALI S.p.A.

© Copyright by GRUPPO CIBALI S.p.A., Milano
Tous droits réservés

SERVICE LINE

EN

GRUPPO CIBALI and the "SERVICE LINE"

The GRUPPO CIBALI Company's client service, the aim of which is to assure top coffee-machine performance for its clients at all times, also makes available its ECO LINE, a series of specific cleaning products expressly designed for this purpose.

ECO LINE - Cleaning products

- | | |
|--|--------------|
| A) For cappuccino makers in liquid form | 610-004-159; |
| B) For dispensers, filter-holders, coffee cups in powder form | 610-004-280; |
| C) For dispensers, filter-holders, coffee cups in powder form | 610-004-254; |
| D) For superautomatic-machine dispensers in tablet form | 610-004-217; |
| E) For hopper, display - professional cleaning Eco Cleaner Spray | 610-004-251. |

Order directly from your local distributor and refer to the particular item you require by its number, as shown above.

FR

GRUPPO CIBALI et la «SERVICE LINE»

La service d'assistance de la société GRUPPO CIBALI, dans l'intention d'être à côté de ses clients, dans le choix des produits et en vue d'une meilleure utilisation de la machine à café, propose la ligne:

ECO LINE - Produits de nettoyage

- | | |
|----------------|---|
| A) 610-004-159 | liquide pour les fouettes-lait ; |
| B) 610-004-280 | en poudre pour les groupes, les porte-filtre, les tasses à café ; |
| C) 610-004-254 | en poudre pour les groupes, les porte-filtre, les tasses à café ; |
| D) 610-004-217 | pastilles pour les groupes des machines tout-auto ; |
| E) 610-004-251 | détergent Eco Cleaner Spray pour les trémies, écran. |

Pour commander, transmettre le numéro de code à votre concessionnaire.

III SERVICE LINE



A



B



C



D



E



The Manufacturer reserves the right to modify the appliances presented in this publication without notice

Le fabricant se réserve le droit de modifier sans préavis les caractéristiques des appareils présentés dans cette publication

GRUPPO CIMBALI SpA - 20082 BINASCO (MILANO) ITALY



CERT. NR. 50 100 3685 / 10877 / 11721