

Traditional coffee machines



M26 COMPACT

INDEX

M26 COMPACT - Generic table	3
PRIMARY SPARE PARTS	6
HYDRAULIC CIRCUIT BE	7
HYDRAULIC CIRCUIT VA BE	9
HYDRAULIC CIRCUIT TE	11
HYDRAULIC CIRCUIT VA TE	13
COACHWORK BE	15
COACHWORK - TALL CUP VERSION	17
CUPS-WARMER	19
CONTROL PANEL	21
COACHWORK TE	23
BOILER EQUIPMENT	25
WATER AND STEAM TAPS	27
M26 COMPACT - TURBOSTEAM TE	29
Hydraulic components	31
M26 COMPACT - THERMODRIVE TE	33
BREWING GROUP	35

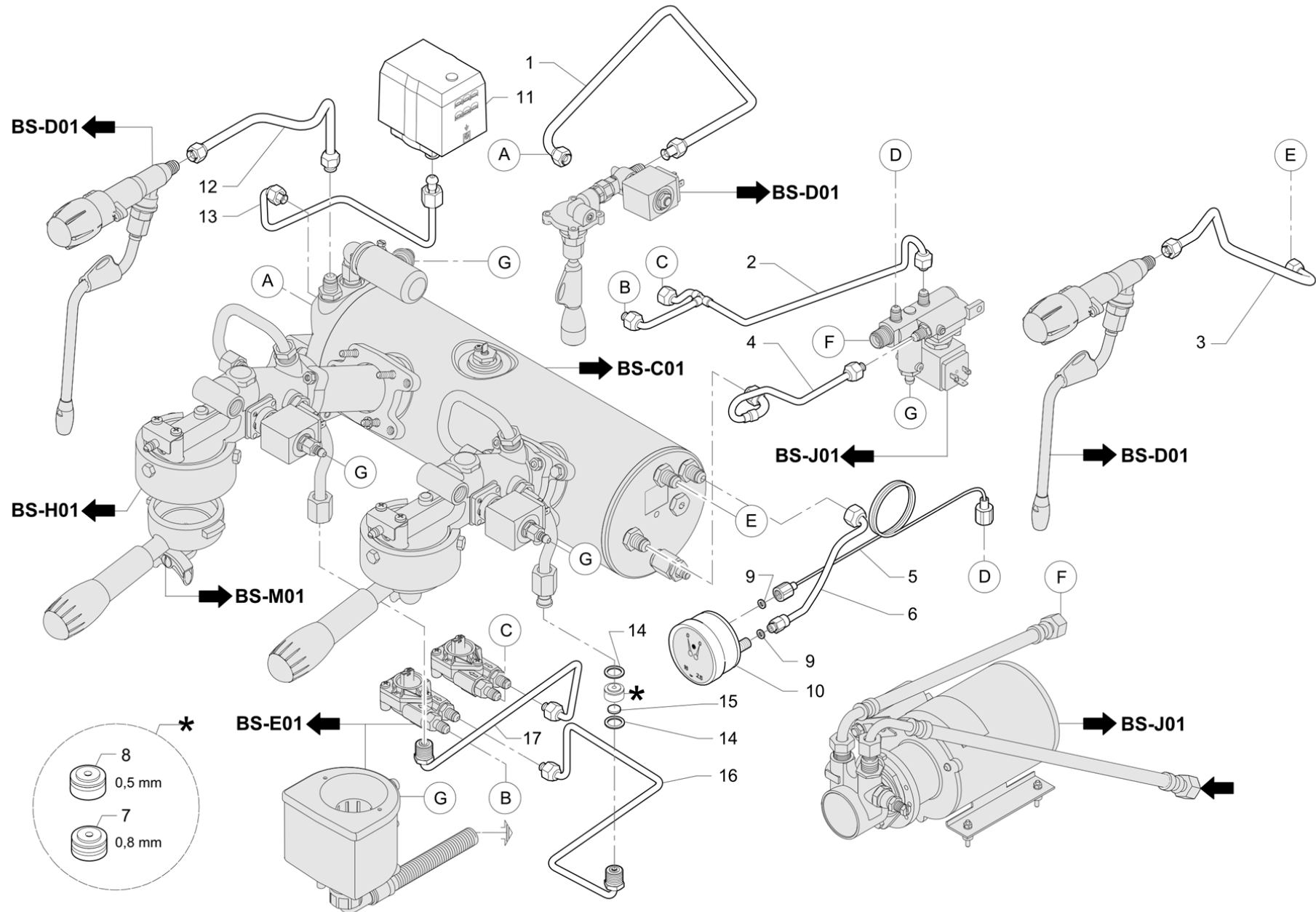
VOLUMETRIC PUMP	38
ELECTRICAL BOX	40
FILTERHOLDERS AND FILTERS	42
FILTERHOLDERS AND FILTERS	44
M26 COMPACT - FILTERHOLDERS AND FILTERS INOX	46

Pos	Part Number	Description	Validity	Notes
-	401204000	GASKET		
-	421578008	COLLECTOR PIPE		
-	457563020	2-WAY CUP ASSY		
	⇌ 457563010	FILTHERHOLDER 2 WAY CUP		
-	457564030	1-WAY CUP ASSEMBLY		
	⇌ 457564010	FILTERHOLDER 1 WAY CUP		
-	532091300	GREEN BIPOLAR SWITCH		
-	535995000	M26 2 GRP COMPATTA BT_AT WIRING		
-	535995030	WIRING		
	⇌ 535995010	M26 2 GRP COMPATTA BT_AT WIRING		
-	537060300	AUTOSTEAM BOARD SPARE PARTS KIT		
	⇌ 918840010	AUTOSTEM CARD SPARE PARTS KIT		
-	537060710	BASE BOARD 120V		
	⇌ 959713000	CPU BASE BOARD 120 V		
-	978017010	DOUBLE SCALE PRESSURE GAUGE		
	⇌ 978017000	DOUBLE SCALE PRESSURE GAUGE		
-	997016010	SIDE CENTRING PIN M26		
	⇌ 997016000	SIDE PIN M26		
-	997150024	COMPACT HORIZONTAL COVER 2 GROUPS		
	⇌ 997150004	HORIZONTAL COVER 2 GROUPS COMPATTA		
-	997164010	M26 2 GROUPS COMPATTA CUP-WARMER PLATE		
	⇌ 997164000	PIANO SCALDATAZZE M26 2 GRUPPI COMPATTA		
-	997180010	M26 2 G CO GRILLE FOR CUP-WARMER PLATE		
	⇌ 997180000	GRIGLIA PER PIANO SCALDATAZZE M26 2 G CO		
-	997582010	REAR PANEL M26		
	⇌ 997582000	M26 2 GR COM REAR PANEL ASSEMBLY		
-	421578003F	MANIFOLD TUBE ASS. FILLING-INPUT GR. RUV		
-	957853010F	CIMBALI BRASS/DESMO 2-WAY FILTER-HOLDER		
	⇌ 457890060F	2-WAY FILTER-HOLDER ASSY		
-	957854010F	CIMBALI BRASS/DESMO 1-WAY FILTER-HOLDER		
	⇌ 457891070F	1-WAY FILTER-HOLDER ASSY		
-	532125000ZZ	6.3X0.8 CABLE FAST. CLAMP		
-	457564030	1-WAY CUP ASSEMBLY		
-	957854010F	CIMBALI BRASS/DESMO 1-WAY FILTER-HOLDER		
	⇌ 457891100F	1-WAY NR FILTER-HOLDER W/O FILTER		
-	957504020F	1-WAY NSF 372 CUP ASSEMBLY		
-	994818010F	1-WAY (E) NSF FILTER-HOLDER W/O FILTER		
-	957853010F	CIMBALI BRASS/DESMO 2-WAY FILTER-HOLDER		
	⇌ 994819010F	2-WAY (E) NSF 372 FILTER-HOLDER ASSEMBLY		
-	797700000	LEFT SIDE UL		

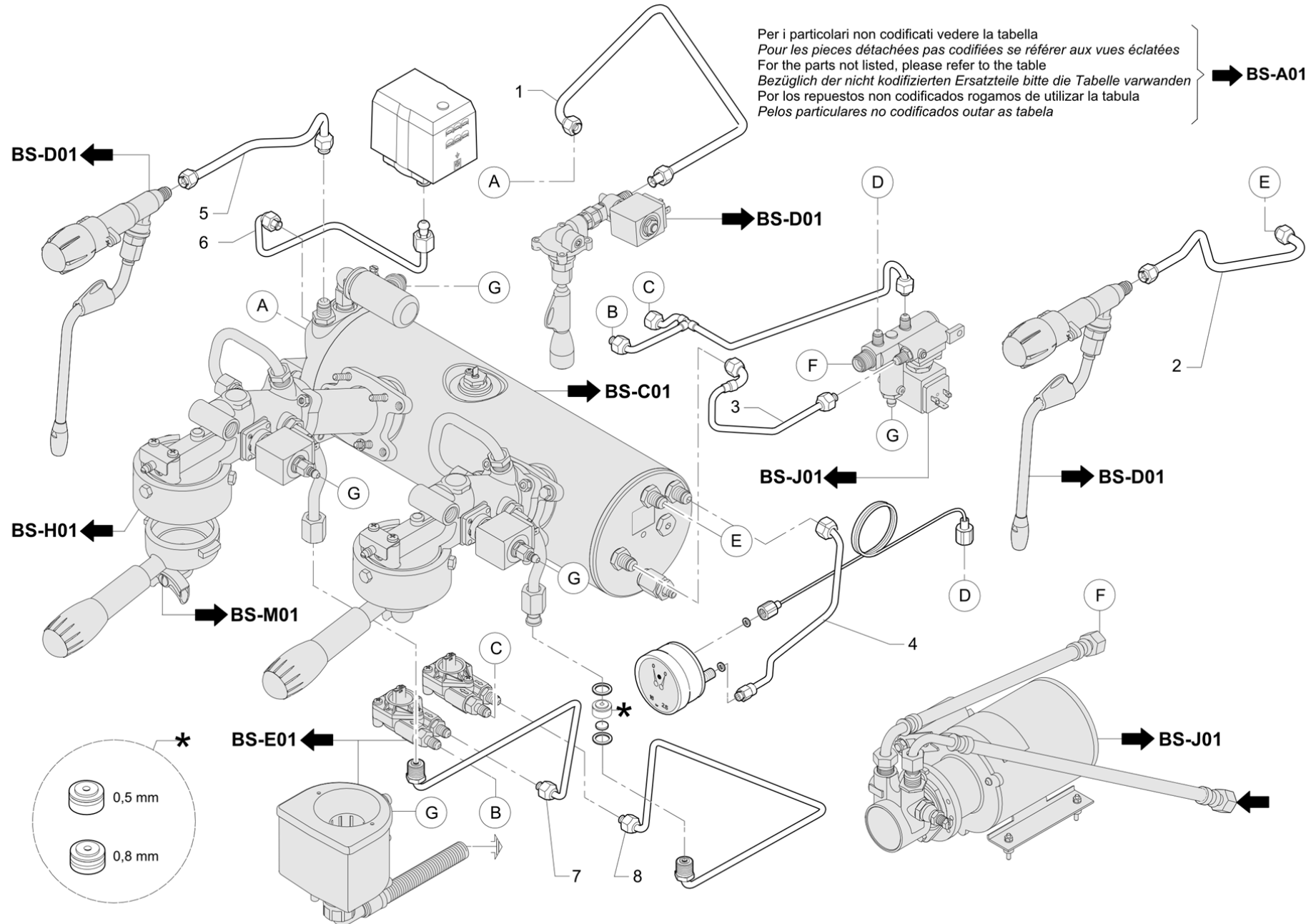
Pos	Part Number	Description	Validity	Notes
-	797701000	RIGHT SIDE UL		
-	797702000	RIGHT SIDE TE		
-	797703000	LEFT SIDE TE		
-	797704000	LEFT SIDE TE UL		
-	797705000	RIGHT SIDE TE UL		
-	797706000	RIGHT SIDE		
-	797707000	LEFT SIDE		
-	937055010	1/8 RUBBER HOLDER CONNECTOR		
-	997275000	PIN GUIDE BLOCK TS		
-	985604000	STEAM WAND W/OUT BULB		
-	973907010F	THERMODRIVE		
	⇌ 973907000F	ThermoDrive.		
-	981153000	3/8GAS NIPPLE W/FILTER		
-	535995030	WIRING		
-	798013000	CASING CENTRING PIN		
-	457573020F	NSF STEAM TAP BODY ASSEMBLY		
-	997023005F	WATER MIXER BODY		
-	457400005F	SHOWER DISC		
-	958231005F	MINI-VALVE		
-	920619005F	BLOCK FOR SOL. VALVE		
-	534393410F	VOLUMETRIC COUNTER		
-	920619005F	BLOCK FOR SOL. VALVE		
-	457062020	BELL CLEANING BRUSH		
	⇌ 457062010	BELL CLEANING BRUSH		
-	492664012F	BOILER 2GRC WITH TEAB+		
	⇌ 492664002F	BOILER 2 GR		
-	532501320R	S0 1/8 FASTENING SCREW		
-	457401005F	CARTRIDGE RING		
-	531494300	METAL. COND. 10 uF DUCATI 416.33.27		
-	448138005F	HOSE CONN. 90# F 1/8G CW510L		
-	535827000	ANTIDISTURBANCE FILTER		
-	532662710F	ELBOW CONNECTOR 1/8 CARTRIDGE		
-	457062020	BELL CLEANING BRUSH		
-	492298005F	SAFETY VALVE		
-	949036000F	CONNECTOR 1/8 X 1/8 WITH STAINLESS STEEL		
-	997150024	COMPACT HORIZONTAL COVER 2 GROUPS		
-	973907010F	THERMODRIVE		
-	533892310R	3-WAY SCEM SOLENOID VALVE R.24V 60HZ UL		
-	533903210F	SOLENOID VALVE 3/2 - #3mm 1/4 M/F FKM PA		
-	533903610F	SOLENOID VALVE 3/2 - #3mm 1/4 M/F FKM PA		
-	535918000	AXIAL INDUCTANCE 7uF ? 6A		
-	492664012F	BOILER 2GRC WITH TEAB+		

Pos	Part Number	Description	Validity	Notes
-	533893320R	SOLENOID VALVE 2G 24V/50-60Hz		
-	949032000F	NIPPLE 1/4"-1/4" STAINLESS STEEL CONNECT		
-	533902910F	SOLENOID VALVE		
-	533903010F	SOLENOID VALVE 2/2 - #2.5mm 1/4 M/F FKM		
-	533895720R	2-WAY SOLENOID VALVE 24V/60		
-	533903410F	SOLENOID VALVE 2/2 - #2.5mm 1/4 M/F FKM		
-	532660510F	CONNECTOR 1/4		
-	532704000	FIXING NUT M5		
-	402274000	GASKET		
-	533180010	180 L/h VOLUMETRIC PUMP INOX W/FILTER		
	⇌ 533198100	TECH FLUID PUMP		
-	532662810F	CONNECTOR 1/8 X 1/8 WITH ENVELOPE		
-	537060710	BASE BOARD 120V		
-	997012000	TAP CROSSPIECE BRACKET		
-	402223010	GASKET, OR 7.65X1.78 TS PROBE		
-	402250010	OR 3.68X1.78 VITON NSF		
-	997237014	PROFILO POST. 2GR COMPATTA C/LOGO		
-	532740620	CAPPELOTTO 6694 CA01 13 x 7,6		
-	978732010F	ASSIEME TUBO VAPORE CON BULBO 3 FORI 1.5		
-	997690010F	ASSIEME TUBO VAPORE CON BULBO 4 FORI 1.5		
-	402289010	OR 16 X 1.5		
-	402287010	OR 11.1X1,78 VITON P018		

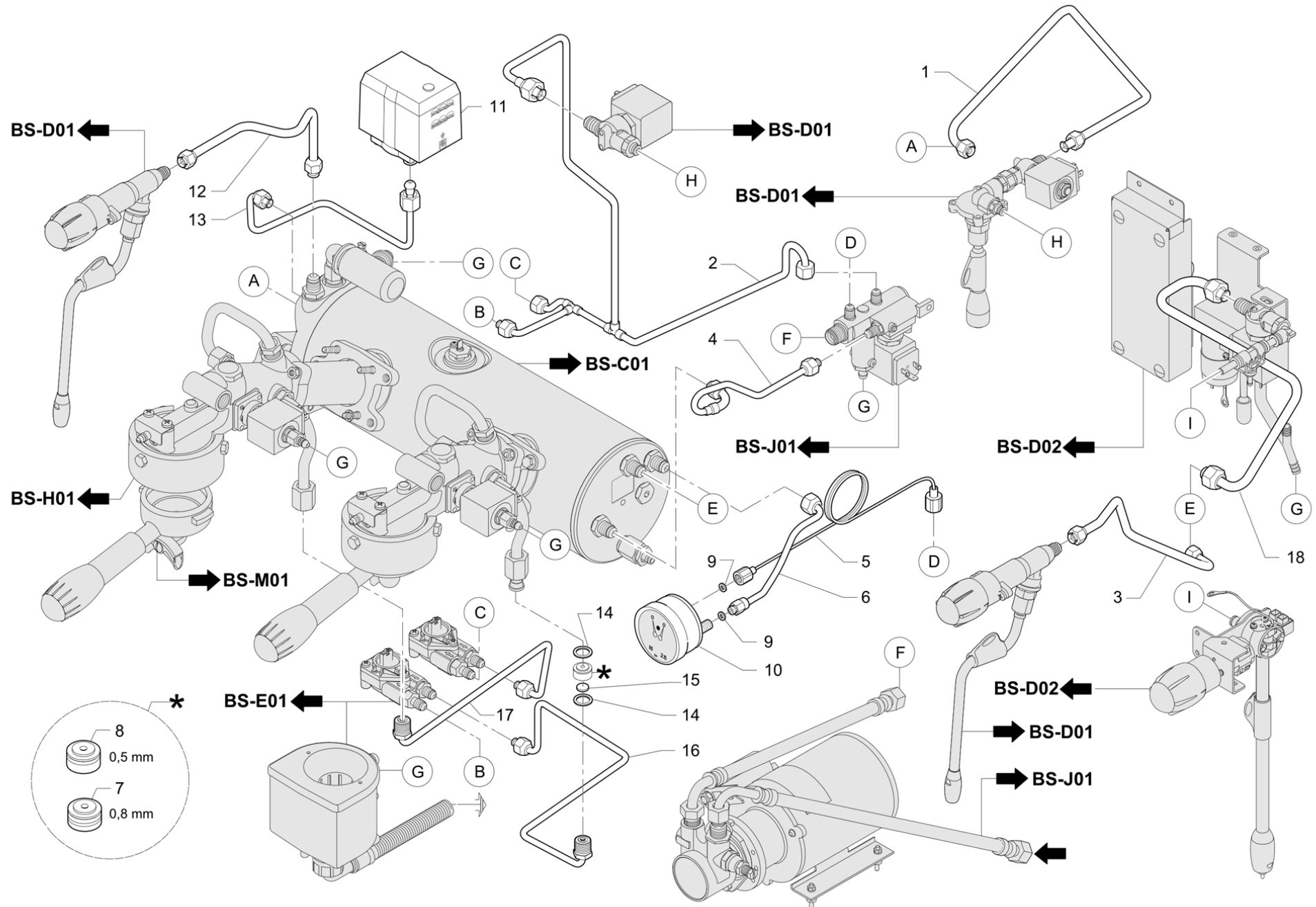
Pos	Part Number	Description	Validity	Notes
-	997619000	M26 2 GRP COMPATTA WATER BOARD		
-	997561004	LOW RANGE 5-OPTION COFFEE BUTTON PAD TE		
-	997619004	COMPATTA 2GRP WATER BOARD M26 2 TE		
-	997561000	5-OPTION COFFEE BUTTON PANEL		



Pos	Part Number	Description	Validity	Notes
1	997626000F	BOILER TUBE		
2	997629000F	M26 2GR COMPATTA FANS TUBE		
3	997607000F	M26 2 GRP LV COMPATTA RIGHT STEAM TUBE		
3	997607008F	RIGHT STEAM TUBE M26 2GRP LV	N:NSF	
4	997605000F	M26 6 X 8 2GR LV COM BOILER LOAD TUBE		
5	3951133673	TUBE FOR GAUGE		
6	997609000F	M26 2 GRP COMPATTA LV PRESSURE GAUGE TU		
7	937108000F	JET NOZZLE Ø 0.8		
8	947216000F	JET NOZZLE Ø 0.5		
9	401196010	GASKET 8,5X4,5X1,5		
10	978017010	DOUBLE SCALE PRESSURE GAUGE		
11	532195500	PRESSOSTAT		
12	997611000F	M26 2 GRP COMP. LV LEFT STEAM TUBE		
12	997611008F	LH STEAM TUBE M26 2GRP COMP. LV	N:NSF	
13	997618000F	M26 2 GRP LV PRESSURE SWITCH TUBE ASSEMB		
14	401234000	GASKET COPPER		
15	481361000	FILTER WITH HOLDER 9X1.5 INOX		
16	997623000F	FAN TUBE GROUP		
16	997623008F	FAN TUBE - GROUP 2	M:JP,N:NSF	
17	997622000F	FAN TUBE GROUP		
17	997622008F	FAN TUBE - GROUP 1	M:JP	

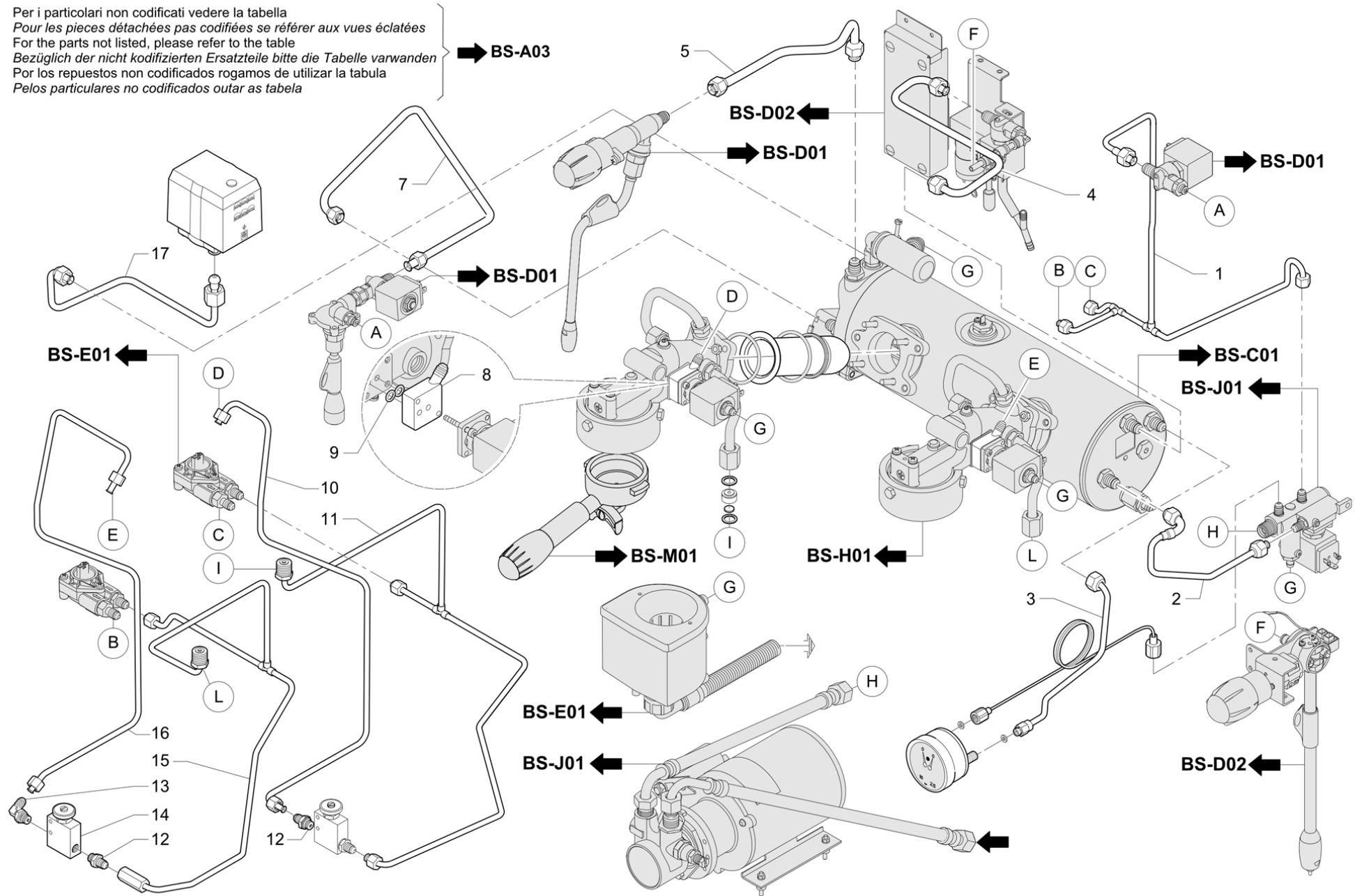


Pos	Part Number	Description	Validity	Notes
1	997627000F	M26 2GRP COMP. HV WATER SV BOILER TUBE		
2	997606000F	M26 2 GRP HV COMPATTA RIGHT STEAM TUBE		
2	997606008F	RIGHT STEAM TUBE M26 2GRP HV	N:NSF	
3	997604000F	M26 C HV BOILER FILLING TUBE		
4	997608000F	M26 2 GRP COMPATTA HV PRESSURE GAUGE TU		
5	997610000F	M26 2 GRP COMP. HV LEFT STEAM TUBE		
5	997610008F	LH STEAM TUBE M26 2GRP COMP. HV	N:NSF	
6	997620000F	M26 2 GR C. HV PRESSURE SWITCH TUBE ASSE		
7	997624000F	FAN TUBE GROUP		
7	997624008F	FAN TUBE GRP 1 2 COMP HV	M:JP,N:NSF	
8	997625000F	FAN TUBE GROUP		
8	997625008F	FAN TUBE GRP 2 COMP HV NSF	M:JP,N:NSF	

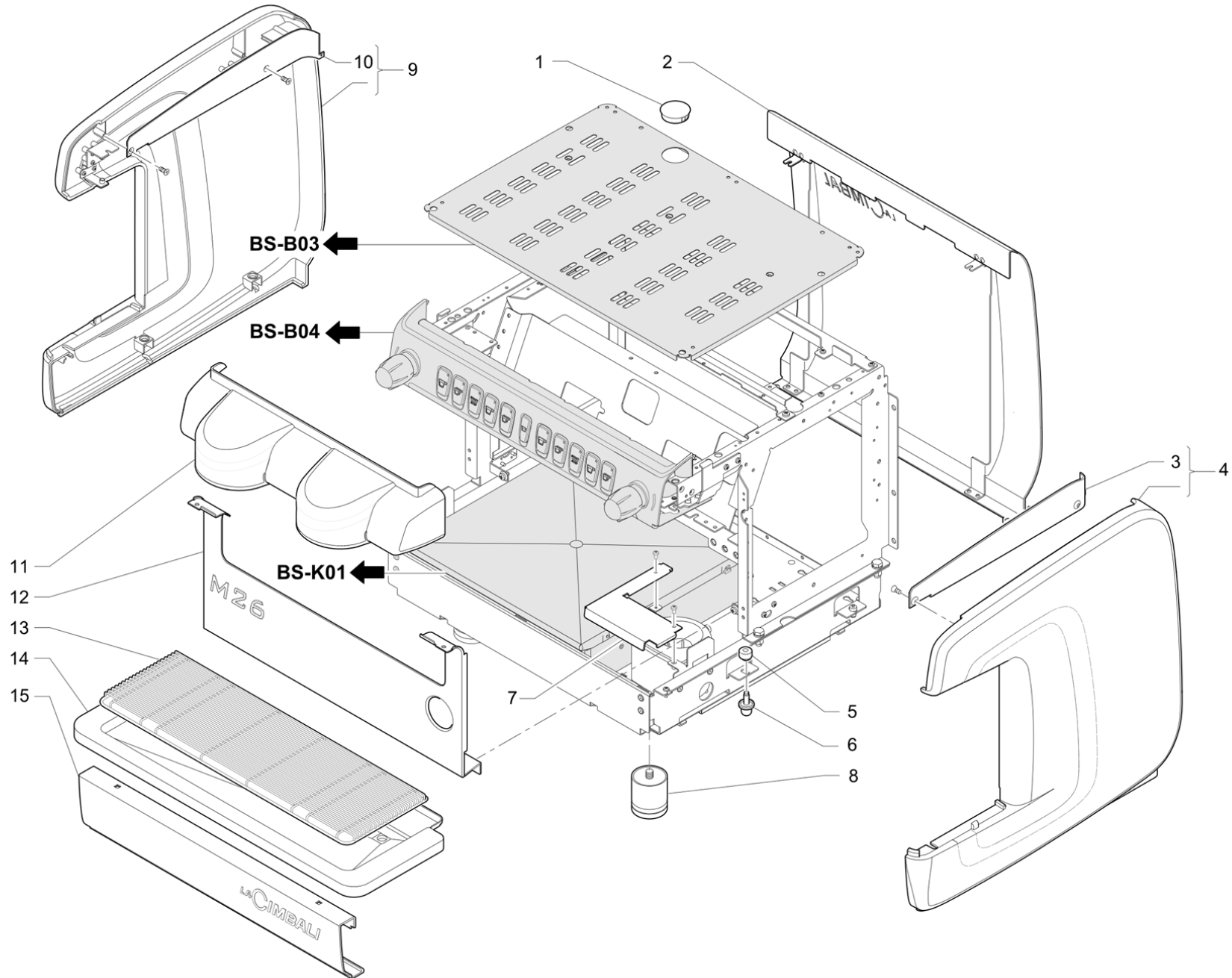


Pos	Part Number	Description	Validity	Notes
1	997626000F	BOILER TUBE		
2	997621000F	FAN-RAMP TUBE M26 2GR COMP.		
	⇌ 997612000F	FAN-RAMP TUBE M26 2GR COMP. LV		
3	997607000F	M26 2 GRP LV COMPATTA RIGHT STEAM TUBE		
4	997605000F	M26 6 X 8 2GR LV COM BOILER LOAD TUBE		
5	3951133673	TUBE FOR GAUGE		
6	997609000F	M26 2 GRP COMPATTA LV PRESSURE GAUGE TU		
7	937108000F	JET NOZZLE Ø 0.8		
8	947216000F	JET NOZZLE Ø 0.5		
9	401196010	GASKET 8,5X4,5X1,5		
10	978017010	DOUBLE SCALE PRESSURE GAUGE		
11	532195500	PRESSOSTAT		
12	997611000F	M26 2 GRP COMP. LV LEFT STEAM TUBE		
13	997618000F	M26 2 GRP LV PRESSURE SWITCH TUBE ASSEMB		
14	401234000	GASKET COPPER		
15	481361000	FILTER WITH HOLDER 9X1.5 INOX		
16	997623000F	FAN TUBE GROUP		
17	997622000F	FAN TUBE GROUP		
18	997614000F	BOILER TURBOSTEAM TUBE M26 2GR COMP LV		

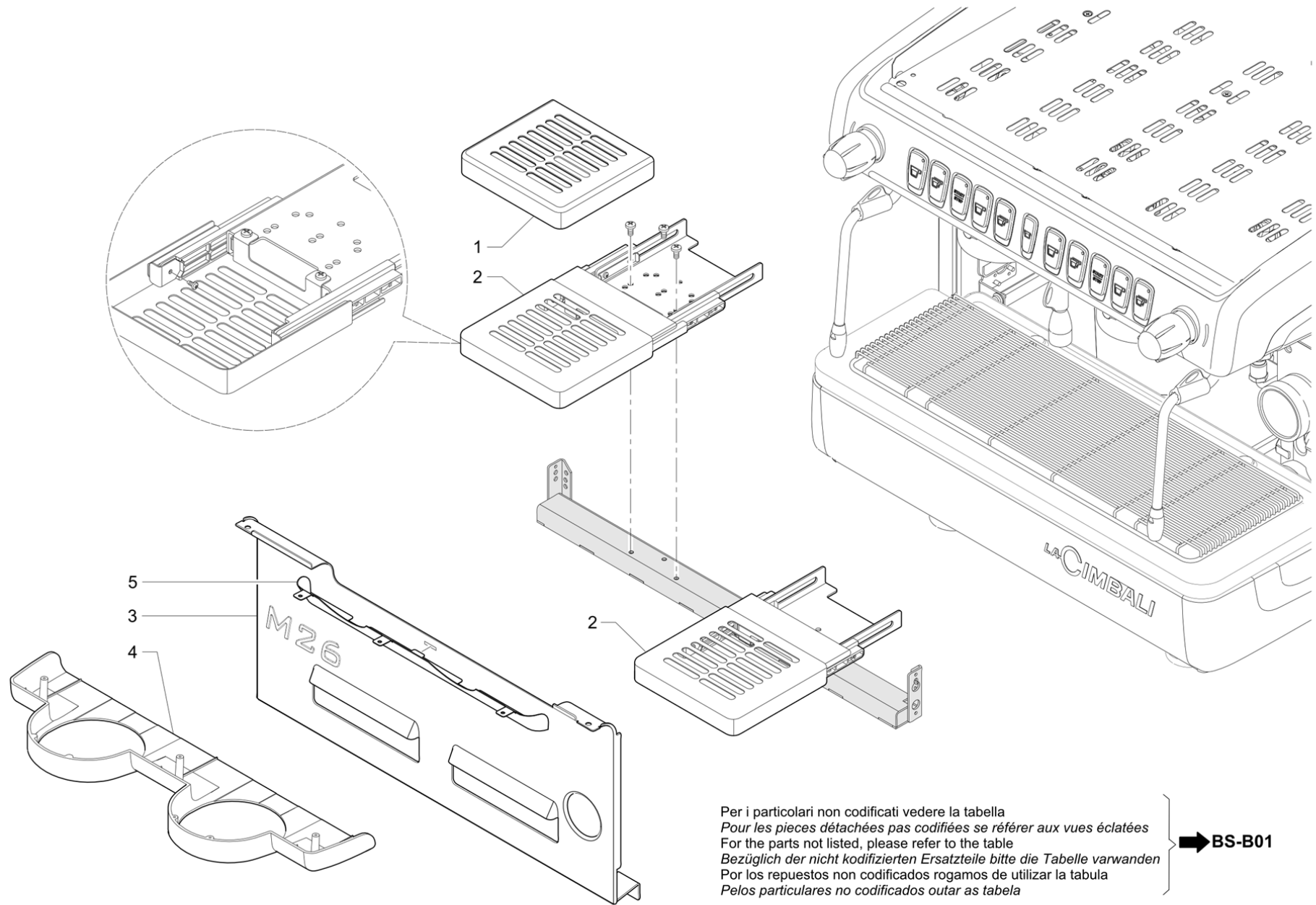
Per i particolari non codificati vedere la tabella
 Pour les pièces détachées pas codifiées se référer aux vues éclatées
 For the parts not listed, please refer to the table
 Bezüglich der nicht kodifizierten Ersatzteile bitte die Tabelle verwenden
 Por los repuestos no codificados rogamos de utilizar la tabula
 Pelos particulares no codificados outar as tabela



Pos	Part Number	Description	Validity	Notes
1	997621000F	FAN-RAMP TUBE M26 2GR COMP.		
2	997604000F	M26 C HV BOILER FILLING TUBE		
3	997608000F	M26 2 GRP COMPATTA HV PRESSURE GAUGE TU		
4	997613000F	BOILER TURBOSTEAM TUBE M26 2GR COMP HV		
4	997613008F	BOILER TURBOSTEAM TUBE M26 2GR COMP HV	N:NSF	
5	997610000F	M26 2 GRP COMP. HV LEFT STEAM TUBE		
5	997610008F	LH STEAM TUBE M26 2GRP COMP. HV	N:NSF	
7	997627000F	M26 2GRP COMP. HV WATER SV BOILER TUBE		
8	920619005F	BLOCK FOR SOL. VALVE		
	⇒ 920619048	SOLENOID VALVE BLOCK		
9	401371000	GASKET 6,75 X 1,78		
10	994523000F	LEFT TD TUBE M26 2GRP COMPACT HV		
11	994520000F	FAN TUBE GROUP-1 M26 2GRP COMP. V		
11	994520008F	FAN TUBE GRP-1 M26 2GRP COMP. VA	N:NSF	
12	532662800F	CONNECTOR 1/8 X 1/8 WITH ENVELOPE		
13	532662710F	ELBOW CONNECTOR 1/8 CARTRIDGE		
	⇒ 532662700F	RUVECO ENVELOPE 1/8 ELBOW CONNECTOR		
14	973907010F	THERMODRIVE		
	⇒ 920658010	WATER REGULATING VALVE		
15	994521000F	FAN TUBE GROUP-2 M26 2GR COMP		
15	994521008F	FAN TUBE GRP-2 M26 2GR COMP	N:NSF	
16	994522000F	RIGHT TD TUBE M26 2GRP COMPACT HV		
17	997620000F	M26 2 GR C. HV PRESSURE SWITCH TUBE ASSE		



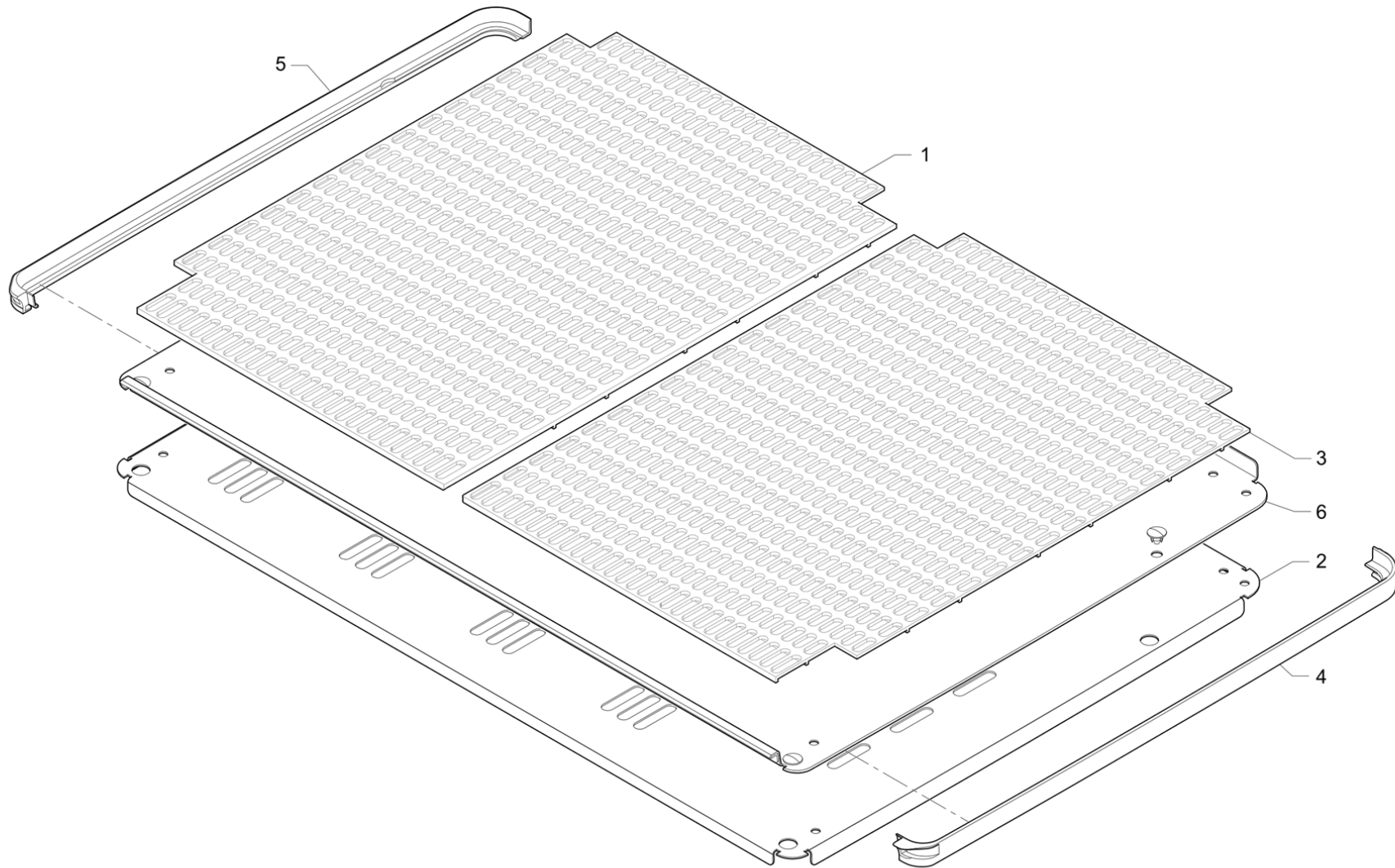
Pos	Part Number	Description	Validity	Notes
1	532724400	SCREW PLUG ø38		
2	997582010	REAR PANEL M26		
3	997049000	RH SIDE INSERT		
4	797706000	RIGHT SIDE		
	⇒ 997746000	COMPLETE RIGHT SIDE M26		
4	797701000	RIGHT SIDE UL	N:UL	
	⇒ 994704000	COMPLETE RIGHT SIDE UL	N:UL	
5	997015000	SIDE PIN M26		
6	997016010	SIDE CENTRING PIN M26		
7	997150024	COMPACT HORIZONTAL COVER 2 GROUPS		
	⇒ 997150014	HORIZONTAL COVER 2 GROUPS COMPATTA		
8	532805000	ADJUSTABLE FOOT		
9	797707000	LEFT SIDE		
	⇒ 997747000	COMPLETE LEFT SIDE M26		
9	797700000	LEFT SIDE UL	N:UL	
	⇒ 994703000	COMPLETE LEFT SIDE UL	N:UL	
10	997046000	LH SIDE INSERT		
11	997078010	COFFEE GROUPS CASING M26 2 GRP VB		
11	997199004	M26 2 GR LV COFFEE GR. CASING UL BLACK P	N:UL	
12	997163000	M26 2-GROUP COMPATTA LV SLUICE-VALVE		
13	952136000	BASIN GRILLE 2 GR COMPATTA		
14	952138000	BASIN 2 GR COMPATTA		
15	997581000	M26 2GR COMP BASE FRONT PANEL		



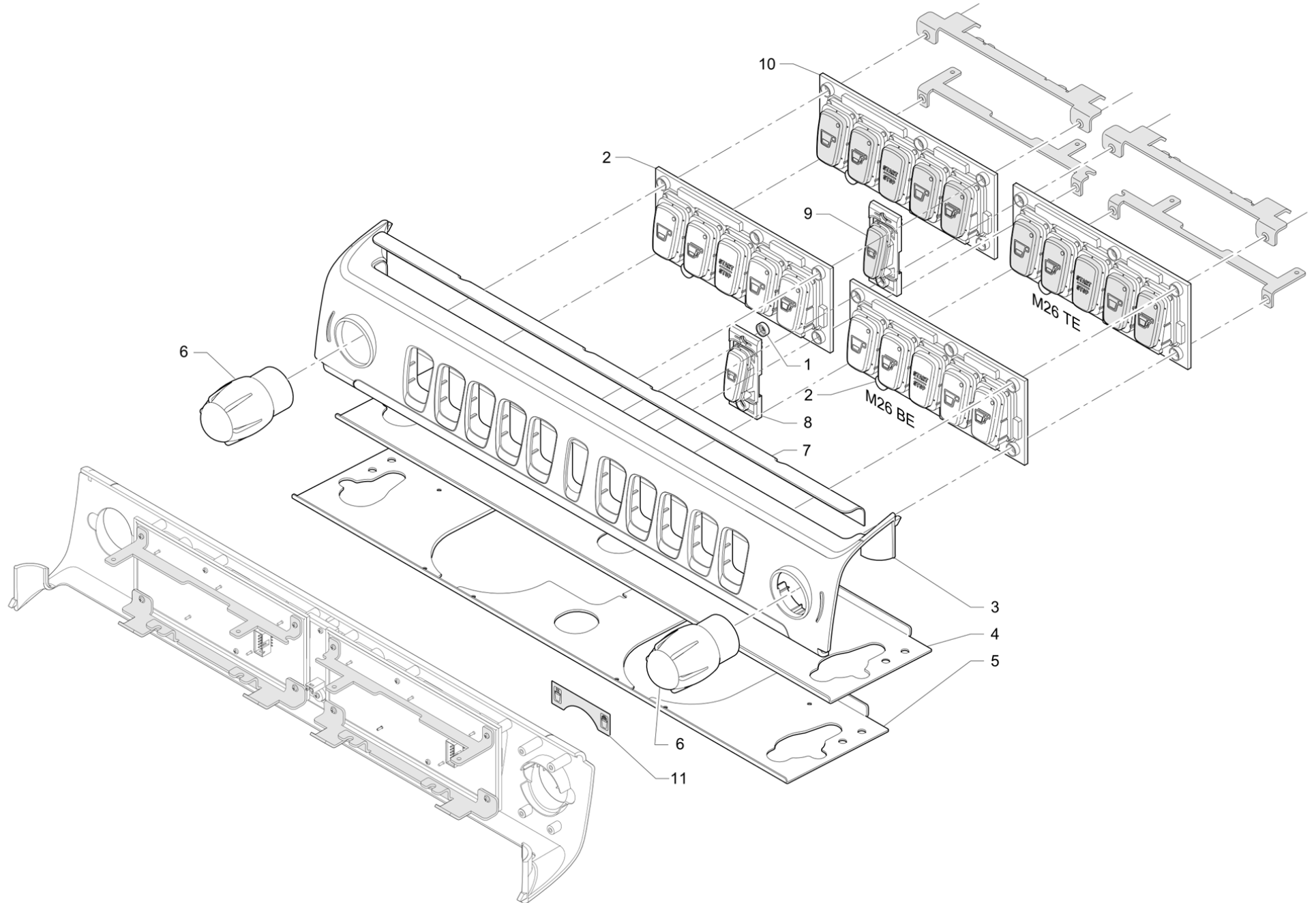
Per i particolari non codificati vedere la tabella
 Pour les pièces détachées pas codifiées se référer aux vues éclatées
 For the parts not listed, please refer to the table
 Bezüglich der nicht kodifizierten Ersatzteile bitte die Tabelle verwenden
 Por los repuestos no codificados rogamos de utilizar la tabula
 Pelos particulares no codificados outar as tabela

➔ BS-B01

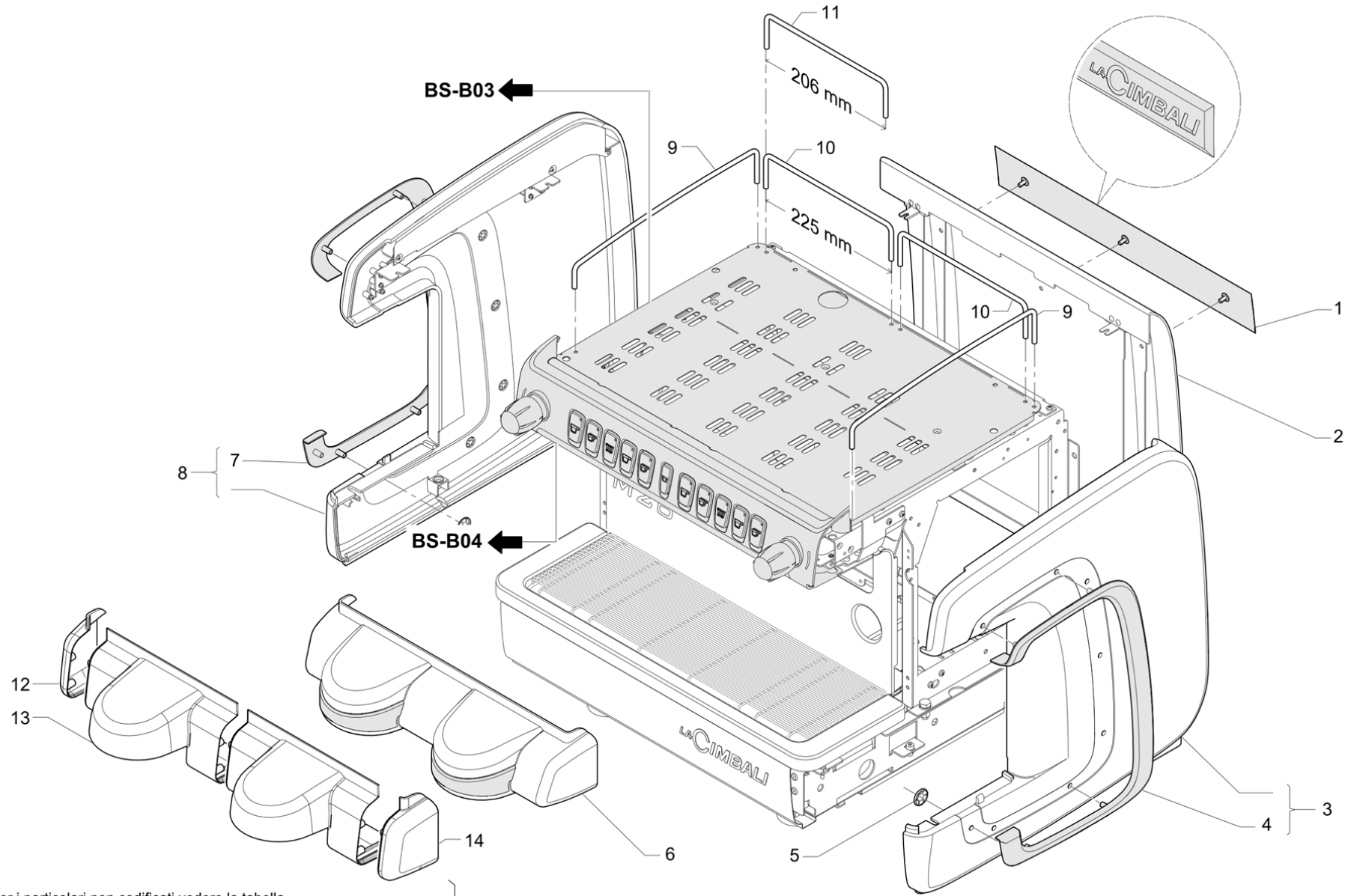
Pos	Part Number	Description	Validity	Notes
1	947537009	GRILLE ASSEMBLY WITH GUIDES		
2	947844010	COMPLETE GRILLE ASSEMBLY		
3	997155000	M26 2 GROUPS COMPATTA HV SLUICE-VALVE		
3	997155010	M26 2 GROUPS COMPATTA VA PARTITION	I:R	
4	997528000	COFFEE GROUPS CASING M26 HV		
4	994500000	M26 HV UL COFFEE GR CASING	N:UL	
5	798009000	CASING EDGE M26 VA 2GR	I:R	



Pos	Part Number	Description	Validity	Notes
1	997222000	M26 2 GRP COMP GRILLE FOR CUP-WARMER PLA		
1	997255000	CUP-WARMER PLATE GRILLE 2G COM LH NFS	N:UL	
2	997164010	M26 2 GROUPS COMPATTA CUP-WARMER PLATE		
3	997180010	M26 2 G CO GRILLE FOR CUP-WARMER PLATE		
3	997256000	CUP-WARMER PLATE GRILLE 2G COM RH NFS	N:UL	
4	997172000	M26 UL RH CUP-WARMERS CLOSURE	N:NSF	
5	997173000	M26 UL LH CUP-WARMERS CLOSURE	N:NSF	
6	997225000	CUP-WARMER PLATE M26 2GR C. NSF	N:NSF	



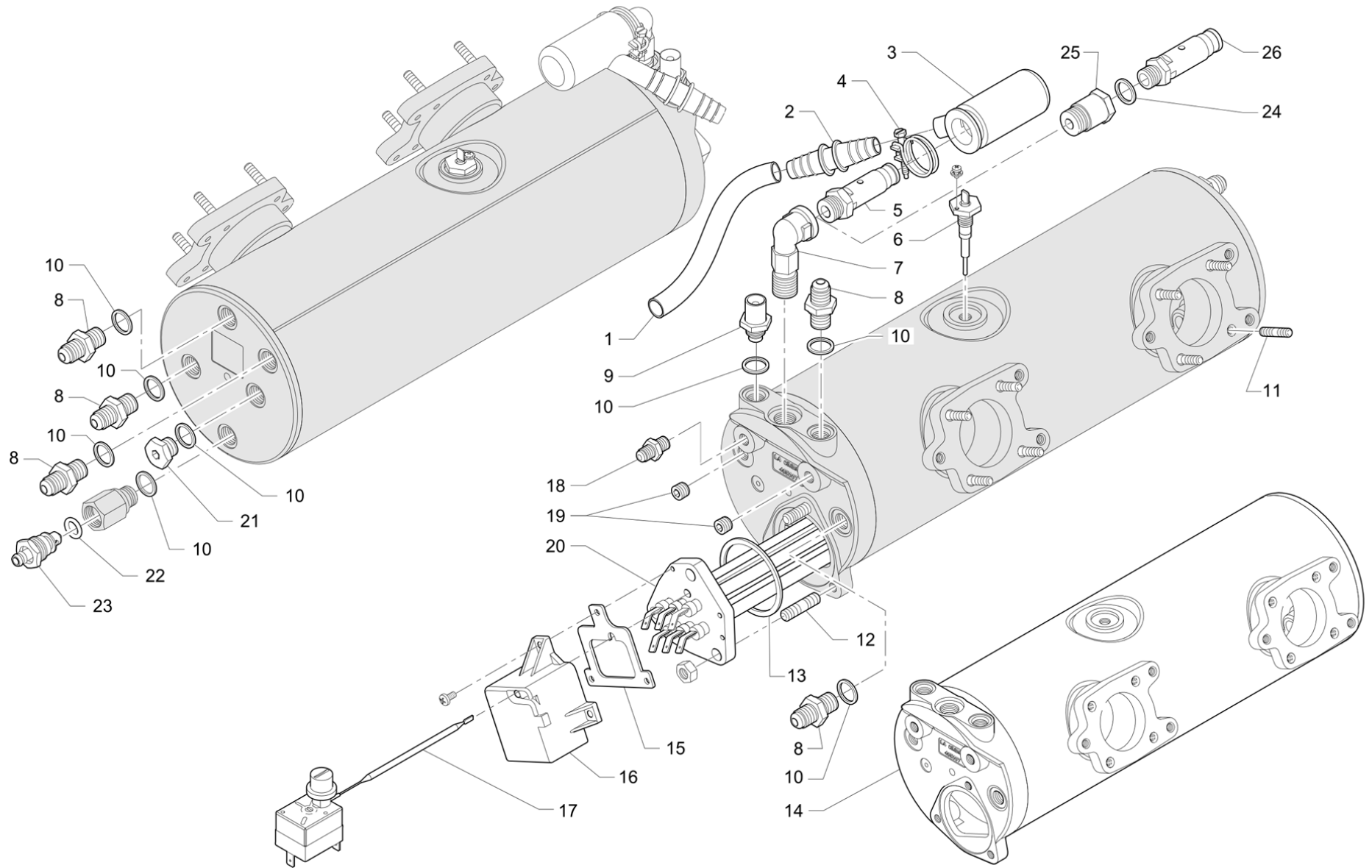
Pos	Part Number	Description	Validity	Notes
1	997191000	M26 COMP. WATER BOARD FASTENING BUSHING		
2	997561000	5-OPTION COFFEE BUTTON PANEL		
3	997570000	M26 2 GRP AUT CONTROLS COMMAND PANEL ASS	C:N	
3	997685000	CONTROL COMMAND PANEL M26 2G COMP.	C:N,N:UL	
3	797515000	2GR COMPACT CONTROL PANEL, WHITE	C:W	
4	997160000	M26 LV 2-GR SLUICE-VALVE BUFFER		
5	997154000	M26 2-GR HV COMPATTA SLUICE-VALVE BUFVE		
5	798506000	PARTITION END 2 GR VA RE COMP	I:R	
6	913729020	M39 STEAM TAP KNOB		
7	997151000	M26 2-GR COMPAC COMMAND PANEL PROTECTION		
8	997619000	M26 2 GRP COMPATTA WATER BOARD		
9	997619004	COMPATTA 2GRP WATER BOARD M26 2 TE		
10	997561004	LOW RANGE 5-OPTION COFFEE BUTTON PAD TE		
11	997273000	TURBOSTEAM PLATE - SILVER		



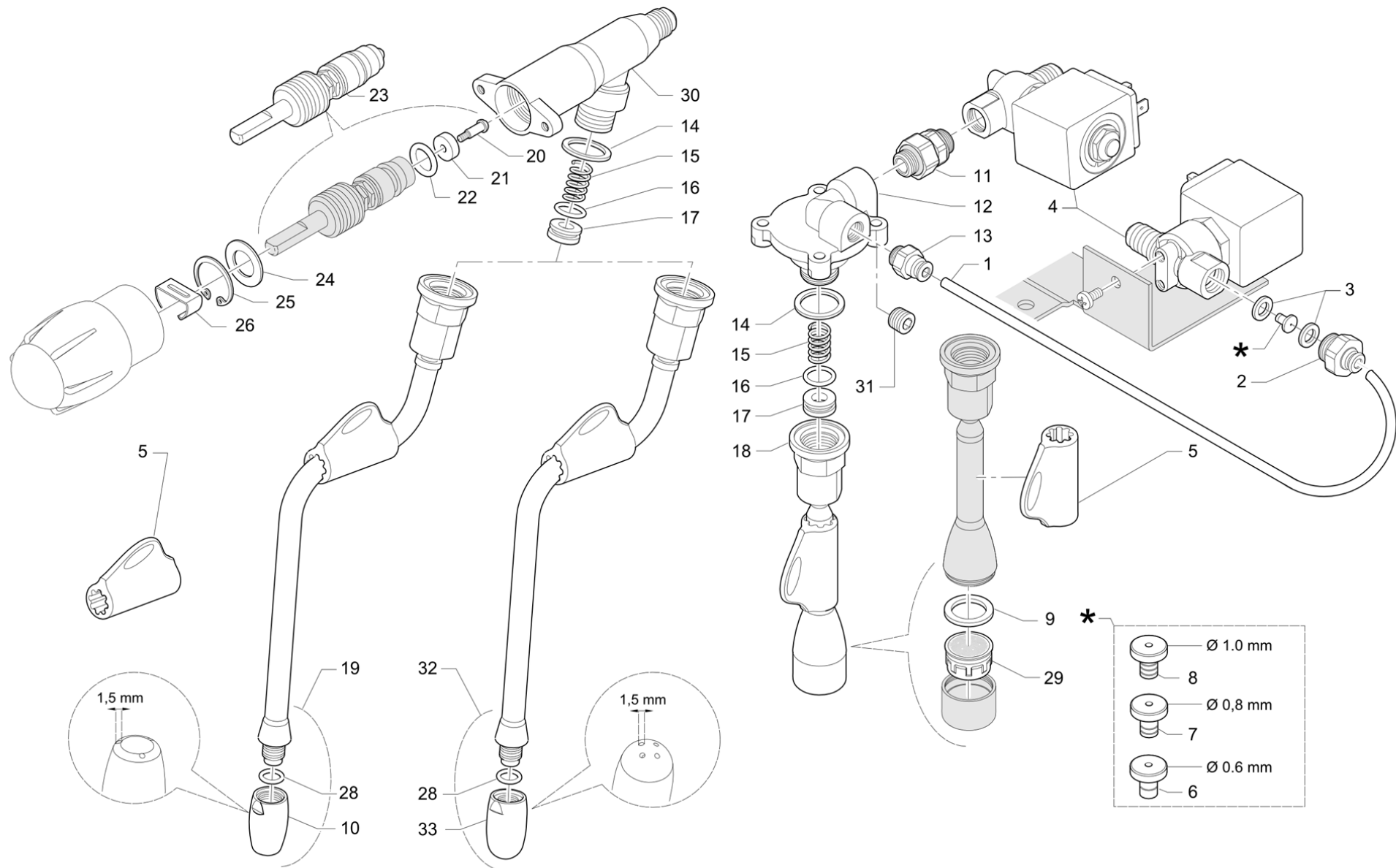
Per i particolari non codificati vedere la tabella
 Pour les pièces détachées pas codifiées se référer aux vues éclatées
 For the parts not listed, please refer to the table
 Bezüglich der nicht kodifizierten Ersatzteile bitte die Tabelle verwenden
 Por los repuestos no codificados rogamos de utilizar la tabula
 Pelos particulares no codificados outar as tabela

BS-B01

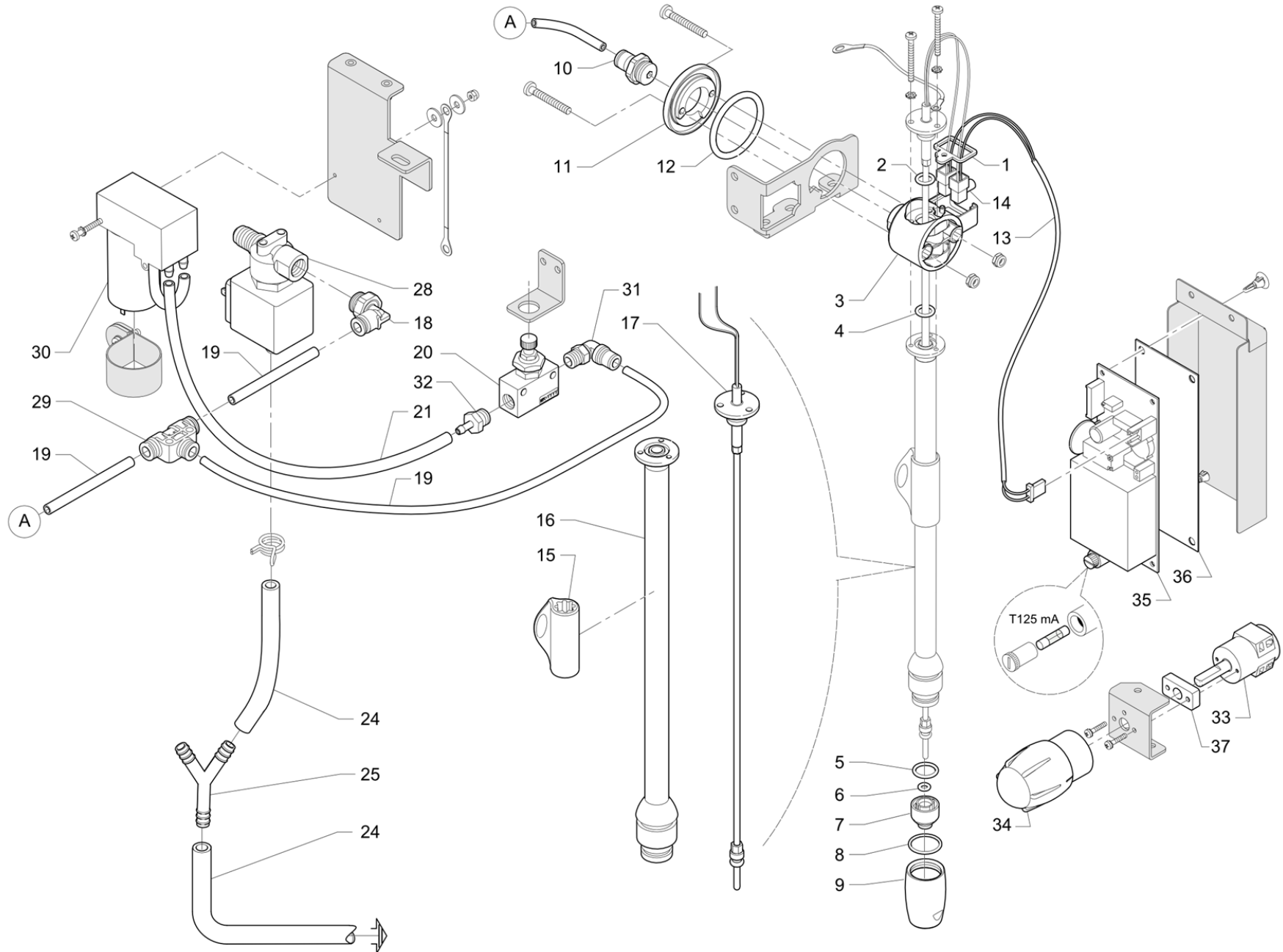
Pos	Part Number	Description	Validity	Notes
1	997237004	COMPATTA 2GR REAR PROFILE WITH LOGO		
1	797023004	2GR COMPACT REAR PANEL, WOOD	C:WD	
2	997681004	REAR PANEL M26 2GR .C. BLACK	C:N	
2	797519004	M26 2GR COMPACT REAR PANEL, WHITE	C:W	
3	797702000	RIGHT SIDE TE	C:N	
	⇒ 994898000	COMPLETE RIGHT SIDE WITH EMBELLISHMENT T	C:N	
3	797705000	RIGHT SIDE TE UL	C:N,N:UL	
	⇒ 994936000	COMPLETE BLACK RIGHT SIDE WITH EMBELLISH	C:N,N:UL	
3	797760000	M26TE RH SIDE PANEL, BLACK WOOD	C:N,C:WD	
3	797724000	RH SIDE PANEL, WHITE TE	C:W	
3	797761000	M26TE RH SIDE PANEL, WHITE WOOD	C:W,C:WD	
4	997231000	RIGHT SIDE EMBELLISHMENT		
4	797020004	RH SIDE PANEL EMBELLISHMENT, WOOD	C:WD	
5	532758300	SPRING FOR 6.5 DIAMETER PIN		
6	997678000	GROUP CASING M26 2GRP WITH EMBELLISHMENT	C:N	
6	797526000	2GR BLACK GROUP CASING W/ WOOD EMBELLISH	C:N,C:WD	
6	797508000	2GR COFFEE GROUP CASING, WHITE	C:W	
6	797527000	2GR WHITE GROUP CASING W/ WOOD EMBELLISH	C:W,C:WD	
7	997232000	LEFT SIDE EMBELLISHMENT		
7	797021004	LH SIDE PANEL EMBELLISHMENT, WOOD	C:WD	
8	797703000	LEFT SIDE TE	C:N	
	⇒ 994899000	COMPLETE LEFT SIDE WITH EMBELLISHMENT TE	C:N	
8	797704000	LEFT SIDE TE UL	C:N,N:UL	
	⇒ 994933000	COMPLETE BLACK LH SIDE WITH EMBELLISHMEN	C:N,N:UL	
8	797766000	M26TE LH SIDE PANEL, BLACK WOOD	C:N,C:WD	
8	797722000	LH SIDE PANEL, WHITE TE	C:W	
8	797767000	M26TE LH SIDE PANEL, WHITE WOOD	C:W,C:WD	
9	997208000	CUP-WARMER SIDE (L=327.5 X R=200)		
10	956130000	CUP-HEATER SIDE PANEL YP1(L=225)		
11	997220000	CUP-WARMER SIDE L=206 H=55		
12	798005007	GROUP CASING M26 TE VB LH	I:R	
13	798004007	GROUP CASING M26 TE VB CENTRAL	I:R	
14	798003007	GROUP CASING M26 TE VB RH	I:R	



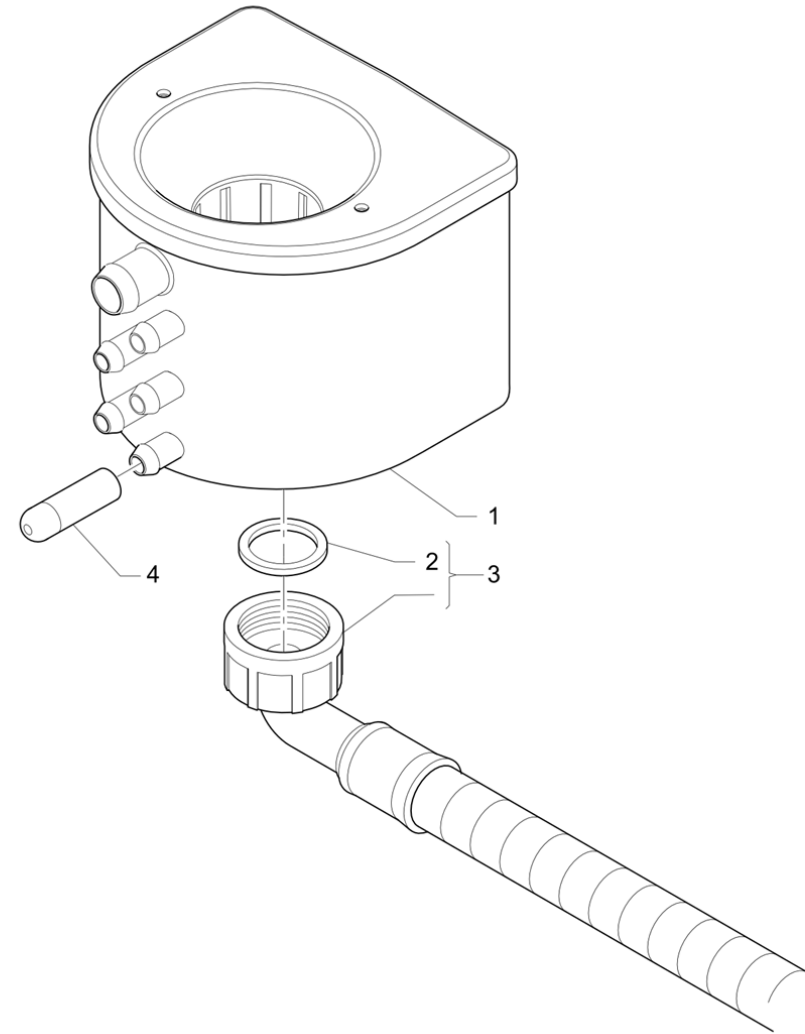
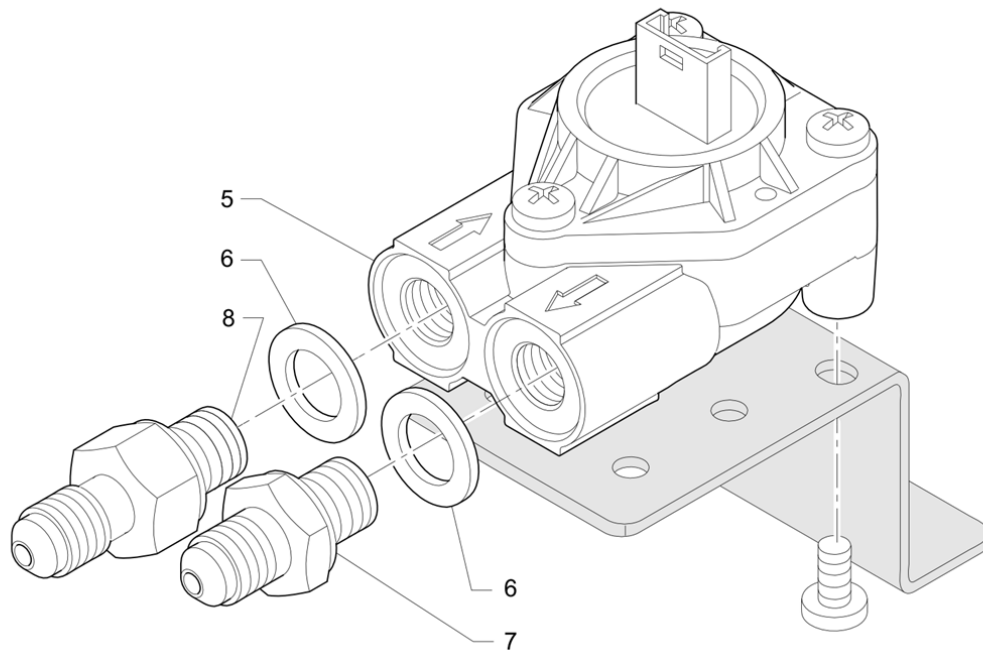
Pos	Part Number	Description	Validity	Notes
1	220000017	SILICONE PIPE D 10X15		
2	532601000	HOSE ADAPTOR		
3	966492000	SAFETY VALVE PROTECTION		
4	532746200	CABLE TIE-RAPS WITH SCREW		
5	532392600	SAFETY VALVE 1,9 bar 3/8G		
6	910869010	LEVEL PROBE L=60MM		
7	492298005F	SAFETY VALVE		
	⇒ 492298018	ELBOW FITTING VALVE 3/8F -3/8M RUVECO		
8	949032000F	NIPPLE 1/4"-1/4" STAINLESS STEEL CONNECT		
	⇒ 913159008	NIPPLE 1/4 X 1/4		
9	418941010	ANTI-UNDERTOW VALVE ASS.		
10	401214000	GASKET		
11	503306200	M6X20 BOLD		
12	503308200	M8X20 BOLD		
13	401194010	GASKET BOILER FLANGE		
13	402328000F	RESISTOR FLANGE GASKET	M:JP	
14	492664012F	BOILER 2GRC WITH TEAB+		
	⇒ 492664018	BOILER 2GRP COMPACT		
15	401286010	GASKET PROTECTION HEATINGELEMENT		
16	496168030	RESISTOR PROTECTION		
17	531194720	SFTY. THERMOSTAT		
18	949036000F	CONNECTOR 1/8 X 1/8 WITH STAINLESS STEEL		
	⇒ 958086008	NIPPLE 1/8 X 1/8		
19	532501320R	SO 1/8 FASTENING SCREW		
	⇒ 532501300R	SCREW SO-40371-1/8		
20	428553030	HEATING ELEMENT 2700 W 220V		
20	428553038	220V/2700W NF HEATING ELEMENT	M:JP	
20	490513008	1200W 110V HEATING ELEMENT NF	N:NSF	
21	594537010	BLIND NIPPLE 1/4 GAS ST. STEEL		
22	402220000	O-RING 9,13X2,62		
23	419077010	DRAIN TAP DISC		
24	402302000	GASKET 17X13,2X1X5	N:UL	
25	537051500	SECURITY VALVE JOINY WITH GAKET	N:UL	
26	532392700	SAFETY VALVE 2,3 1/4G	N:UL	



Pos	Part Number	Description	Validity	Notes
1	220000021	TEFLON TUBE D 2,5X4		
2	532661700F	STRAIGHT COUPLING 1/4G M X DIAM.4		
3	401235020	GASKET 11X6,5X1,5		
4	533903010F	SOLENOID VALVE 2/2 - #2.5mm 1/4 M/F FKM		
	⇌ 533903000F	SOLENOID VALVE 1/4 M/F FKM		
4	533903410F	SOLENOID VALVE 2/2 - #2.5mm 1/4 M/F FKM N:UL		
	⇌ 533903400F	SOLENOID VALVE 2/2	N:UL	
5	927132010	MANIFOLD		
6	920041000	NOZZLE § 0,6MM NF		
7	920042000	NOZZLE § 0,8MM INOX		
8	931211000	NOZZLE OF 1MM INOX		
9	402320000F	21X15X2 NSF SEAL		
10	913438000	STEAM NOZZLE		
11	532660510F	CONNECTOR 1/4		
	⇌ 532660500F	CONNECTOR 1/4		
12	997023005F	WATER MIXER BODY		
	⇌ 997023008F	WATER MIXER BODY		
13	532659800F	STRAIGHT CONN. 1/8M D.4F		
14	401183010	GASKET 22X17X1,5 INLET VALVE		
15	485061010	STAIN LESS STEEL SPRING		
16	402209000	O-RING GASKET 10,82X1,78 NF		
17	485078010	GASKET		
18	920739040F	JET BREAKER		
19	978732000F	STEAM TUBE ASSEMBLY WITH BULBS 3 HOLES 1		
20	590791010	SCREW		
21	402321000F	TAP SEAL		
22	402219000	O-RING 10,78X2,62 NF		
23	956855000F	ROD ASSY WITH SEAT FOR SEAL		
24	590715000	WASHER 22,15 X 1,2		
25	568101000	RING SEEGER		
26	485154000	CLIP		
28	402223010	GASKET, OR 7.65X1.78 TS PROBE		
	⇌ 402223000	O-RING 7,65X1,78 TS PROBE		
29	532305000	FILTER		
30	457573020F	NSF STEAM TAP BODY ASSEMBLY		
	⇌ 958572020F	TAP BODY		
30	457573020F	NSF STEAM TAP BODY ASSEMBLY	N:NSF	
	⇌ 457573010F	NSF STEAM TAP BODY ASSEMBLY	N:NSF	
31	532501320R	S0 1/8 FASTENING SCREW		
	⇌ 532501300R	SCREW SO-40371-1/8		
32	997690000F	STEAM TUBE TIP WITH 4 HOLES 1.5	M:US	
33	4151135190	1,5 MM STEAM NOZZLE	M:US	



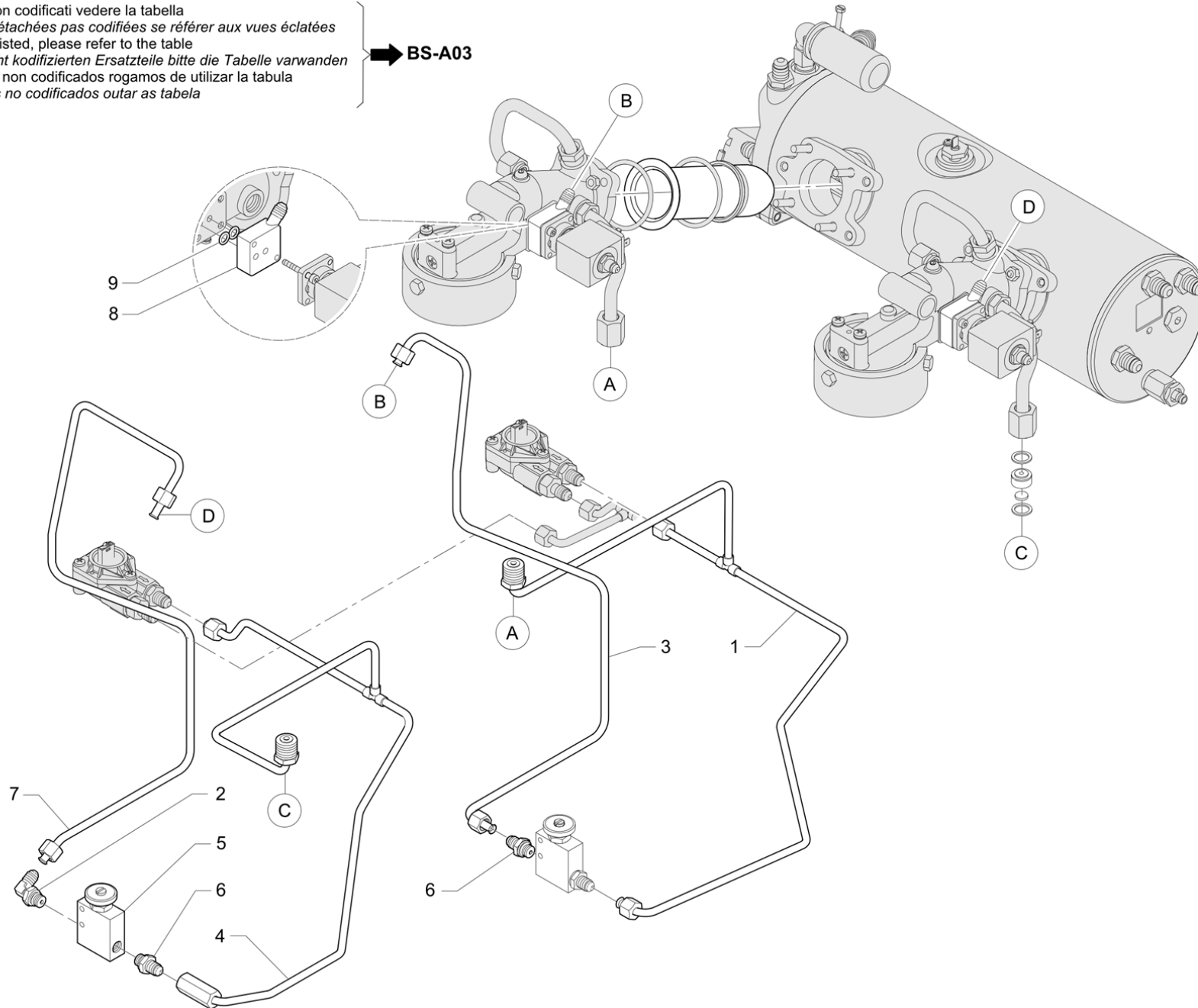
Pos	Part Number	Description	Validity	Notes
1	485291000	CLAMP		
2	402223010	GASKET, OR 7.65X1.78 TS PROBE		
	⇒ 402223000	O-RING 7,65X1,78 TS PROBE		
3	485296030	UPGRADE JOINT		
4	402195000	O-RING 9,25X1,78 NF		
5	402287000	OR 11.1X1,78 VITON P018 PROBE TS		
6	402250010	OR 3.68X1.78 VITON NSF		
	⇒ 402250000	GASKET 3,68 X 1,78 INTERMEDIATE TS		
7	485290030	TS DIFFUSOR 1MM		
8	402289000	OR 16 X 1.5 TS BULB		
9	485288010	TS STEEL BULB		
10	532662500F	1/4G D6 STRAIGHT CONNECTOR		
11	485289000	ROLLER		
12	402186010	OR 34.52X3.53 PLATIN. GASKET		
13	997645000	SHIELDED CABLE L= 850		
14	532149500	TERMINAL		
15	927132010	MANIFOLD		
16	485628020	UPGRADE LONG TS PIPE		
17	485626010F	LONG THERMOCOUPLE ASSEMBLY		
18	532660200F	ELBOW JOINT 1/4 M D.6 F ADJUST.		
19	220000022	RISLAN PIPE 4X6		
20	533590700	AIR VALVE		
21	220000013	SILICONE PIPE D 3X6		
24	220000016	SILICONE PIPE D 6X10		
25	532302720	Y-UNION		
28	533903210F	SOLENOID VALVE 3/2 - #3mm 1/4 M/F FKM PA		
	⇒ 533903200F	SOLENOID VALVE 3/2 3mm 1/4 M/F		
28	533903610F	SOLENOID VALVE 3/2 - #3mm 1/4 M/F FKM PA	N:UL	
	⇒ 533903600F	SOLENOID VALVE 3/2	N:UL	
29	532659500F	T CONNECTOR D.6		
30	938897000	24 "TURBOSTEAM" COMPRESSOR		
31	532658700F	90 COUPLING 930X4M-6F-1/8		
32	532503800	1/8 GAS UNION		
33	447615010	DOUBLE CONTACT SWITCH		
34	913729020	M39 STEAM TAP KNOB		
35	537060300	AUTOSTEAM BOARD SPARE PARTS KIT		
35	997250000	PCB FOR AUTOSTEAM 115 V AC	N:UL	
36	911306000	ADHESIVE INSULATING 152X62		
37	997275000	PIN GUIDE BLOCK TS		



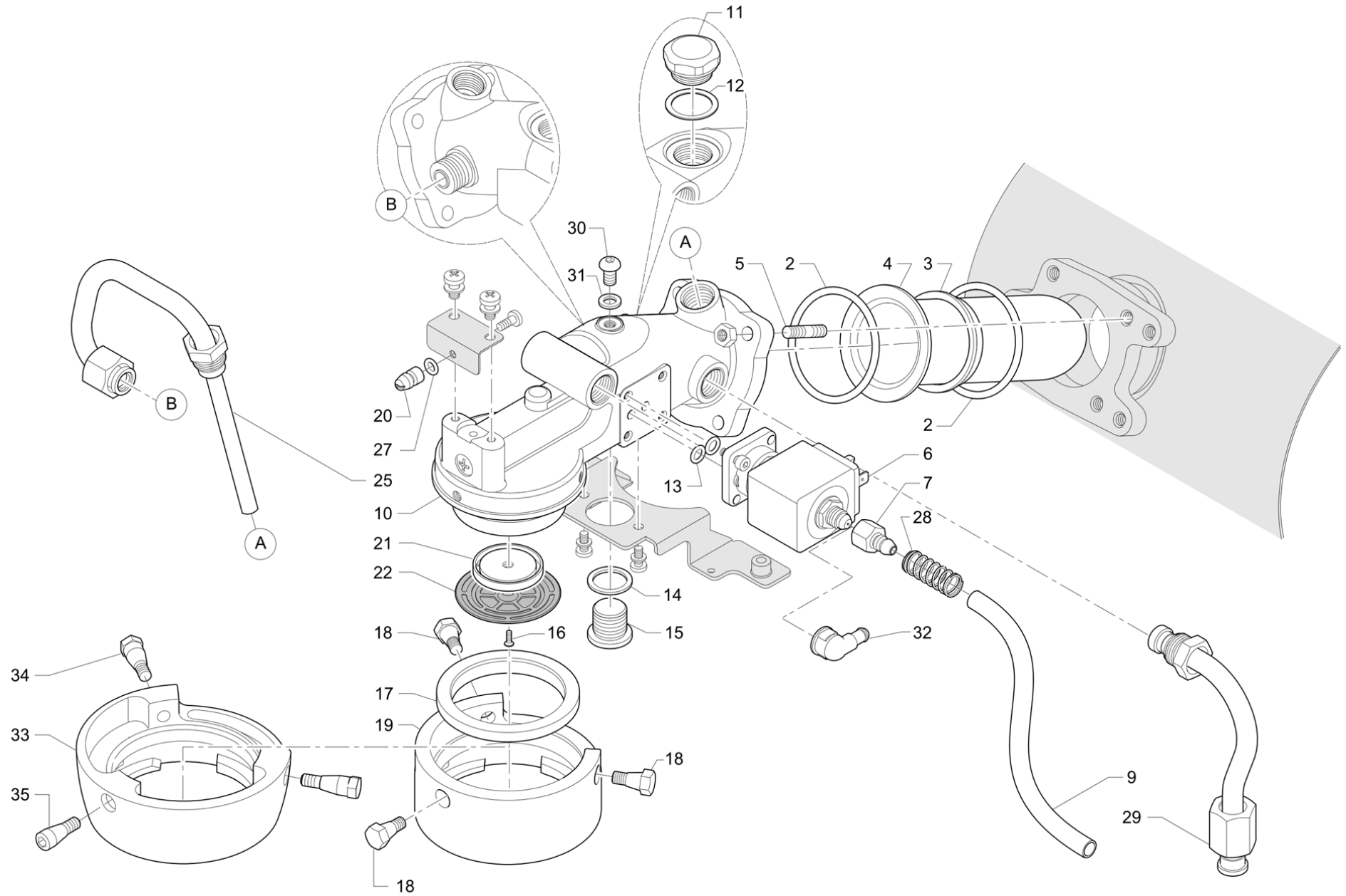
Pos	Part Number	Description	Validity	Notes
1	959775020	DRAIN BASIN ASS. WITH 5 INPUTS		
2	532600600	GASKET		
3	532390600	DRAIN PIPE		
4	532740610	CAP		
5	534393410F	VOLUMETRIC COUNTER		
	⇒ 534393400F	VOLUMETRIC COUNTER		
6	402329000F	COPPER GASKET 16 X 10 X 1.5		
7	958366000F	NIPPLE 1/8 X 1/8		
8	958365000F	NIPPLE 1/8 X 1/8" H=10.		

Per i particolari non codificati vedere la tabella
 Pour les pièces détachées pas codifiées se référer aux vues éclatées
 For the parts not listed, please refer to the table
 Bezüglich der nicht kodifizierten Ersatzteile bitte die Tabelle verwenden
 Por los repuestos no codificados rogamos de utilizar la tabula
 Pelos particulares no codificados outar as tabela

➔ BS-A03

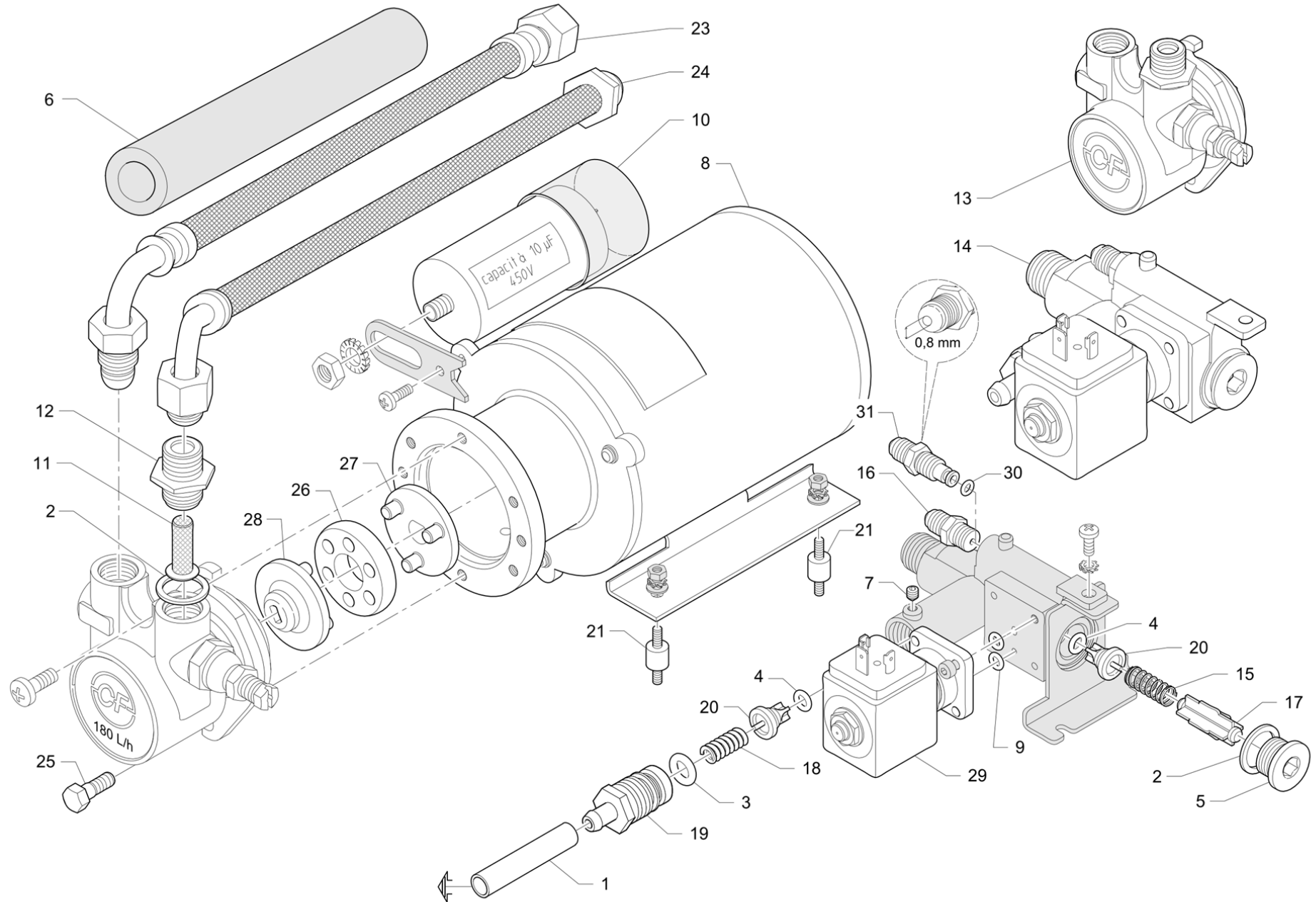


Pos	Part Number	Description	Validity	Notes
1	997696000F	FAN TUBE GROUP-1 M26 2GRP COMP.		
1	997696008F	FAN TUBE GROUP-1 M26 2GRP COMP. V NSF	M:JP	
2	532662710F	ELBOW CONNECTOR 1/8 CARTRIDGE		
	⇌ 532662700F	RUVECO ENVELOPE 1/8 ELBOW CONNECTOR		
3	997698000F	LH THERMODRIVE TUBE M26 2GR. C		
4	997697000F	FAN TUBE GROUP-2 M26 2GR COMP.		
4	997697008F	FAN TUBE GROUP-2 M26 2GR COMP. V NSF	M:JP	
5	973907010F	THERMODRIVE		
	⇌ 920658010	WATER REGULATING VALVE		
6	532662800F	CONNECTOR 1/8 X 1/8 WITH ENVELOPE		
7	997699000F	RH THERMODRIVE TUBE M26 2GR COMP		
8	920619005F	BLOCK FOR SOL. VALVE		
	⇌ 920619048	SOLENOID VALVE BLOCK		
9	402262000	GASKET 6,07 X 1,78		

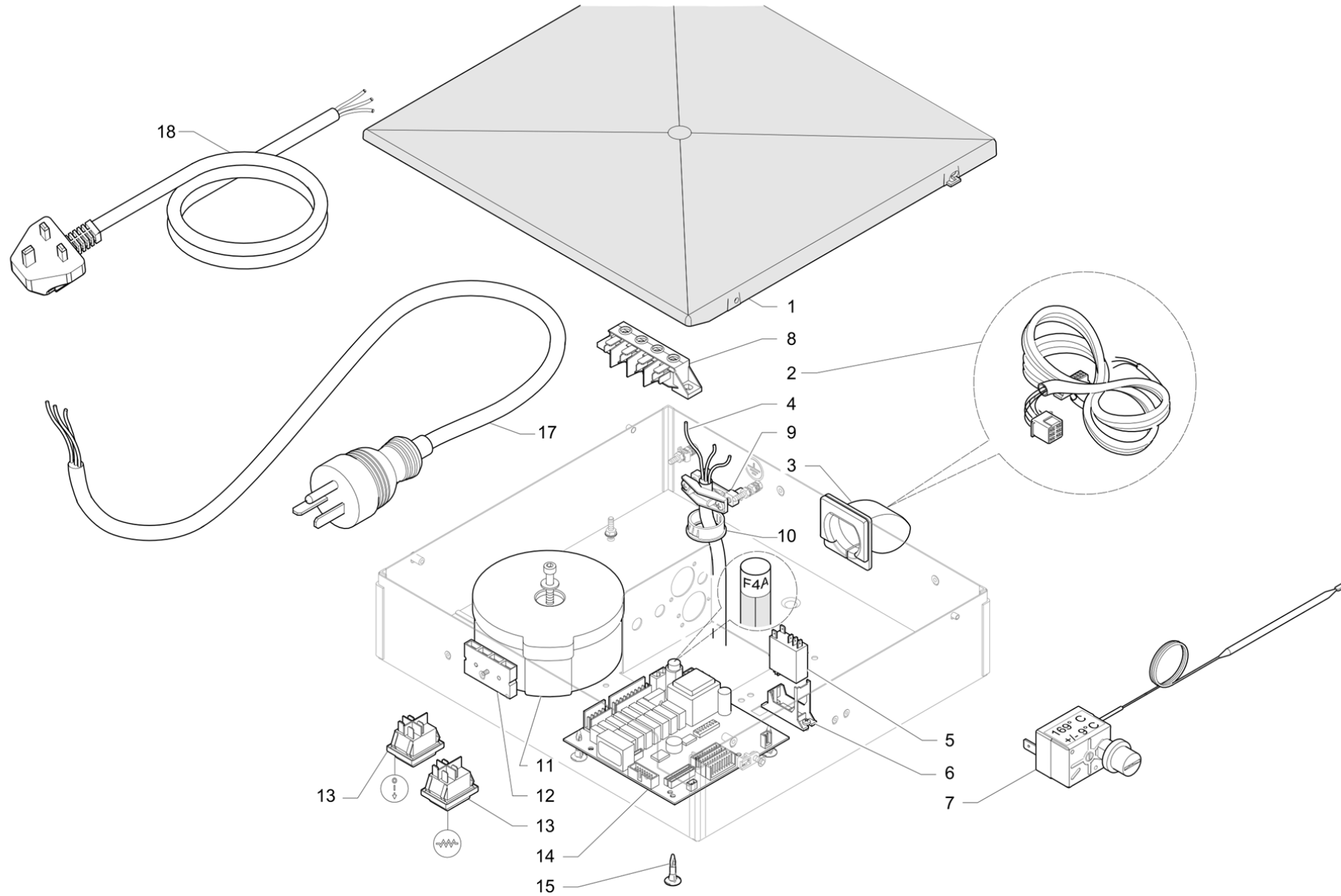


Pos	Part Number	Description	Validity	Notes
2	402317020F	OR 50.39X3.53 EPDM 70 NSF		
3	457401005F	CARTRIDGE RING		
	⇔ 457165028	HEAT EXCHANGER RING		
3	457401005F	CARTRIDGE RING	N:NSF	
	⇔ 457401008F	NSF CARTRIDGE RING	N:NSF	
4	457177002	HEAT EXCHANGE		
4	457177005	CARTRIDGE NSF-USA-JPN mm15	N:NSF	
5	503306200	M6X20 BOLD		
6	533902910F	SOLENOID VALVE		
	⇔ 533902900F	SOL.VALVE 3-WAY SMALL BASE 14.5 bar 24V		
6	533892310R	3-WAY SCEM SOLENOID VALVE R.24V 60HZ UL	N:UL	
	⇔ 533892300R	SOLENOID VALVE	N:UL	
7	937055010	1/8 RUBBER HOLDER CONNECTOR		
	⇔ 937055000	1/8 RUBBER HOLDER CONNECTOR		
9	220000016	SILICONE PIPE D 6X10		
10	957826000	GROUP W/CAP		
10	957827000	M39 GROUP W/CAP NSF	N:NSF	
11	457343000	PLUG		
12	402326000F	SEAL 26.5X20.2X1.5		
13	530501200	OR 2025		
14	401183010	GASKET 22X17X1,5 INLET VALVE		
15	457364000	PLUG 3/8		
16	503605180	5X18 TSV SCREW		
17	401261010	GROUP GASKET		
18	590787001	SCREW M6 COFFEE CONTAINER		
19	414005087	HOOK UP DELIVERY GROUP		
20	798013000	CASING CENTRING PIN		
	⇔ 997019000	CASING PIN M26		
21	457400005F	SHOWER DISC		
	⇔ 457037048	SHOWER DISK		
21	457400005F	SHOWER DISC	N:NSF	
	⇔ 457400008F	NSF SHOWER DISC	N:NSF	
22	457504000	SHOWER INOX		
25	947557020F	OUTPUT TUBE GROUP-SHORT FILLING CART.		
25	421619020	NSF SHORT CARTRIDGE FILLING GR. OUTPUT T	N:NSF	
27	402249000	O-RING 5,28X1,78		
28	997167000	ANTI-BENDING SPRING # 10		
29	997677003F	COLLECTOR FILLING TUBE ECE M26 2GR COMP		
29	997677008F	COLLECTOR FILLING TUBE ECE M26 2G COMP	N:NSF	
30	532759500	HEXAGON SOCKET HEAD SCREW M6x10		
31	401235020	GASKET 11X6,5X1,5		
32	448138005F	HOSE CONN. 90# F 1/8G CW510L		
	⇔ 448138018	UNION 1/8 F		

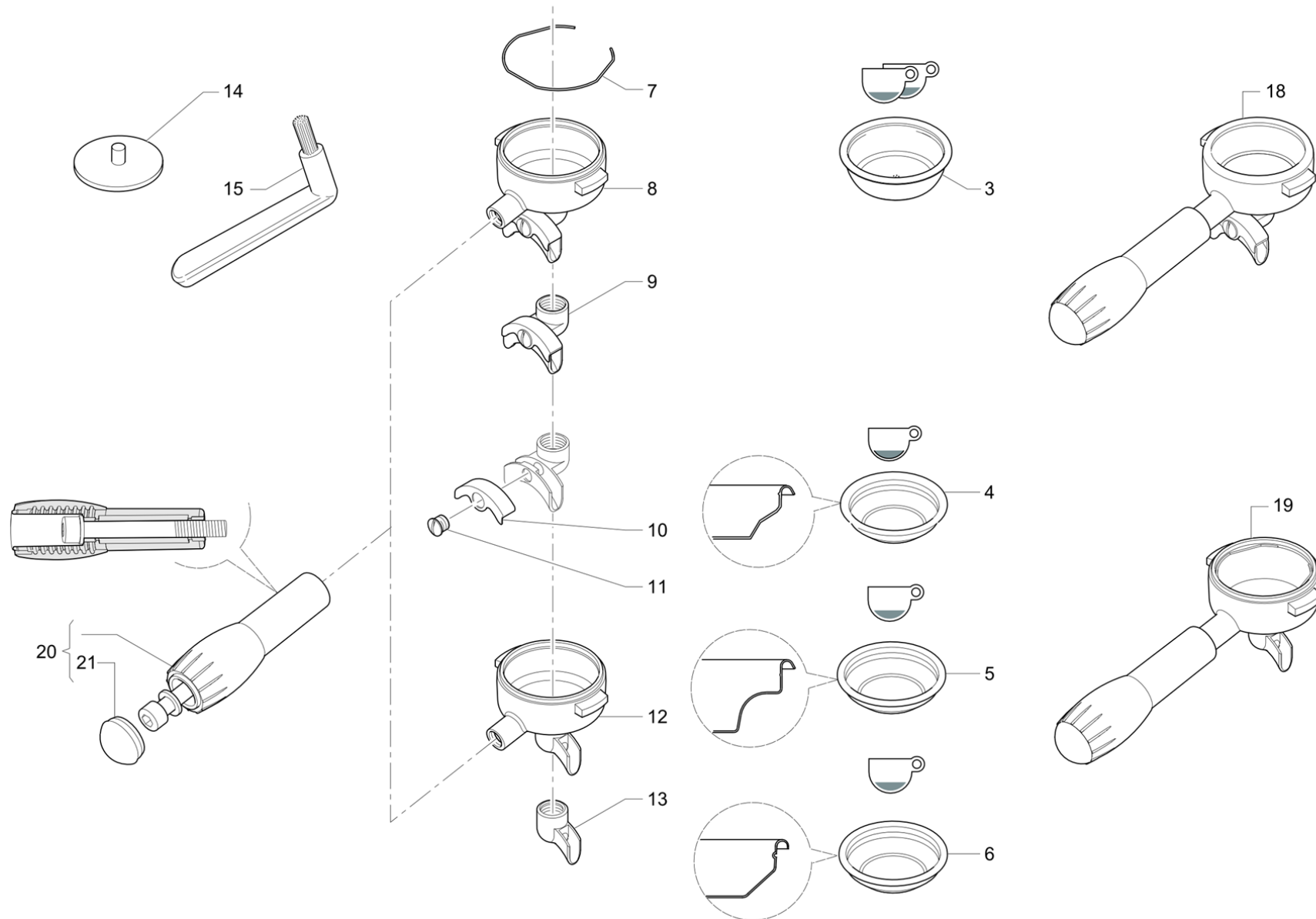
Pos	Part Number	Description	Validity	Notes
33	457299027	OCT. CHROME GROUP BELL	I:R	
34	593815010	SCREW	I:R	
35	593811010	SCREW	I:R	



Pos	Part Number	Description	Validity	Notes
1	220000016	SILICONE PIPE D 6X10		
2	401183010	GASKET 22X17X1,5 INLET VALVE		
3	401190000	O-RING 12,37X2,62 EPDM INLET		
4	402314000	OR 7.59x2.62 EPDM 75.5 INLET		
5	457347010	3/8 GAS EXAGONAL INOX CAP		
6	462327000	INSULATING MEMBRANE		
7	512904050	S.S. M4X5 SCREW		
8	530298120	PUMP 220/50 HORIZ. MOTOR		
8	530299720	POMP MOTOR UL	N:UL	
9	402198000	GASKET SOLENOID VALVE		
10	531494300	METAL. COND. 10 uF DUCATI 416.33.27		
	⇌ 531492400	CAPACITOR 10MF		
10	531492900	CAPACITOR 10mF	N:UL	
10	531494300	METAL. COND. 10 uF DUCATI 416.33.27	N:KTL	
	⇌ 531494700	CONDENSER 10 uF	N:KTL	
11	981153000	3/8GAS NIPPLE W/FILTER		
	⇌ 533100400	INSIDE FILTER		
12	981153000	3/8GAS NIPPLE W/FILTER		
	⇌ 533100600	JOINT 3/8X3/8		
13	533180010	180 L/h VOLUMETRIC PUMP INOX W/FILTER		
14	952706030	VALVE GROUP 24V 50 60Hz		
14	957790000	NSF VALVE GROUP 24V 60Hz	N:UL	
15	958071000	SPRING FOR VALVE		
16	958072020	NIPPLE 1/8 X 1/8 NOZZLE 0.8		
17	958073000	SPACER		
18	958075010	SPRING FOR VALVE		
19	958076000	ADJUST. SCREW		
20	958231005F	MINI-VALVE		
	⇌ 958231000	MINI-VALVE		
21	4741133394	RUBBER ANTIVIBRATION		
23	3951117886	COMPREHENSIVE PIPE		
23	532304400	VALVE BLOCK-PUMP TUBE NF	N:NSF	
24	3951130515	PIPE 3/8X 3/8 120øMM 2200		
24	532304300	PIPE 3/8 NF	N:NSF	
25	4004136622	SCREW M6		
26	4081021923	RING		
27	4821023082	MOTOR JOINT		
28	4821108987	PUMP JOINT		
29	533893320R	SOLENOID VALVE 2G 24V/50-60Hz		
	⇌ 533893300R	SOLENOID VALVE 2G 24V/50-60HZ		
29	533895720R	2-WAY SOLENOID VALVE 24V/60	N:UL	
	⇌ 533895700R	SOLENOID VALVE 2G 24V/60HZ NF	N:UL	
30	402250010	OR 3.68X1.78 VITON NSF		
	⇌ 402250000	GASKET 3,68 X 1,78 INTERMEDIATE TS		
31	958367000F	NIPPLE 1/8 X 1/8 NOZZLE 0.8		



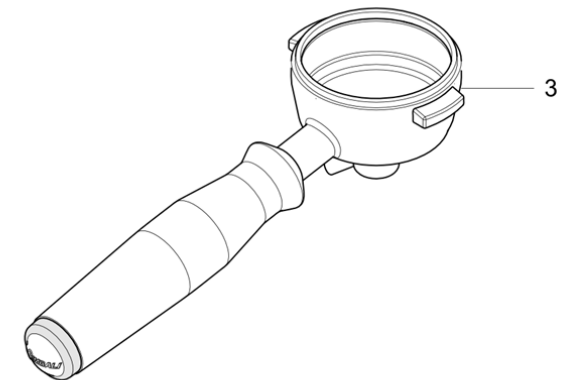
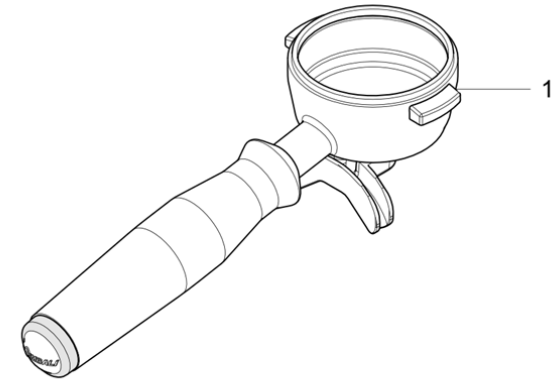
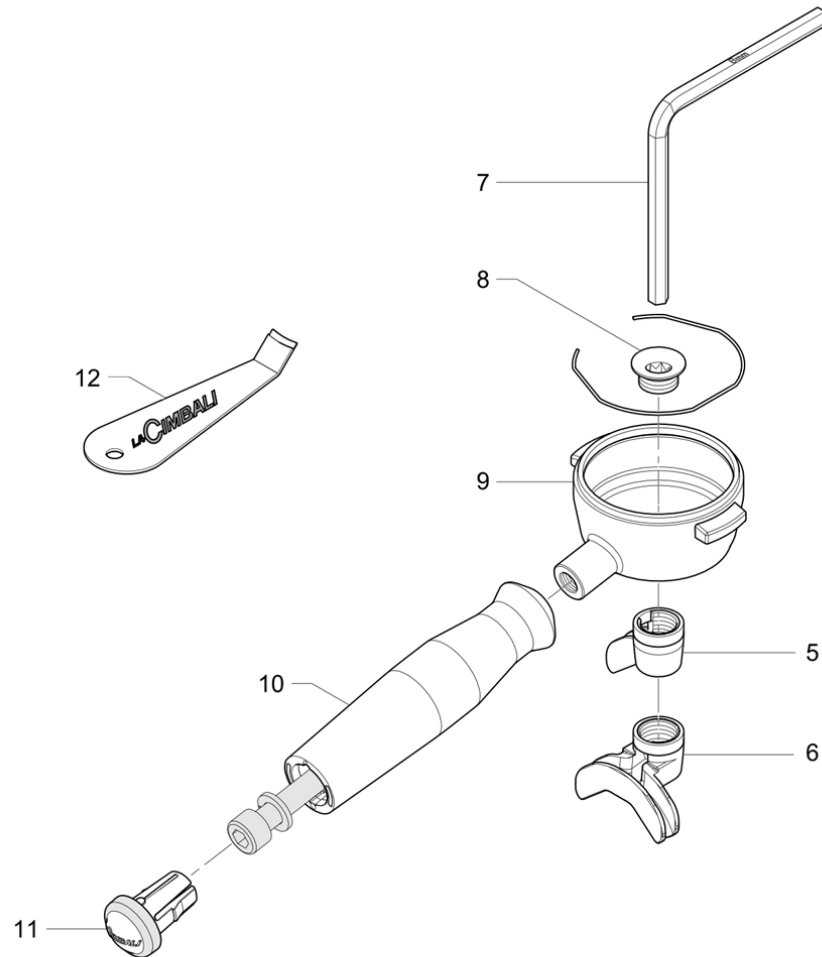
Pos	Part Number	Description	Validity	Notes
1	952009010	COVER FOR ELEC.BOX		
2	535995030	WIRING		
	⇒ 535995020	M26 2 GRP COMPATTA BT_AT WIRING		
3	937075000	FAIRLEAD		
4	530112100	SUPPLY WIRE		
4	916406010	MAIN CABLE 3X1,5 L1830	M:JP	
5	531508300	RELAY 16 A		
6	531507700	RELAY SOCKET		
7	531194720	SFTY. THERMOSTAT		
8	532161500	TERMINAL BOARD		
9	532123300	CORD FIXING LOCK		
10	532170500	MEMBRANE CABLE LAY		
11	530901910	TRASFORMER		
11	496564000	E98 100-120V TRANSFORMER	N:UL	
12	532178800	LAMELLAR TERMINAL BOARD		
13	532024500	SWITCH		
14	952846010	ELECTRONIC BOARD		
14	537060710	BASE BOARD 120V	N:UL	
	⇒ 537060700	BASE BOARD	N:UL	
15	532168900	NYLON SPACER		
16	532124500	CAPPUCCIO		
17	532172200	FEED IN POWER CABLE 3X12 AWG 125V 20A		
18	981171000	UK POWER SUPPLY CABLE	M:UK	



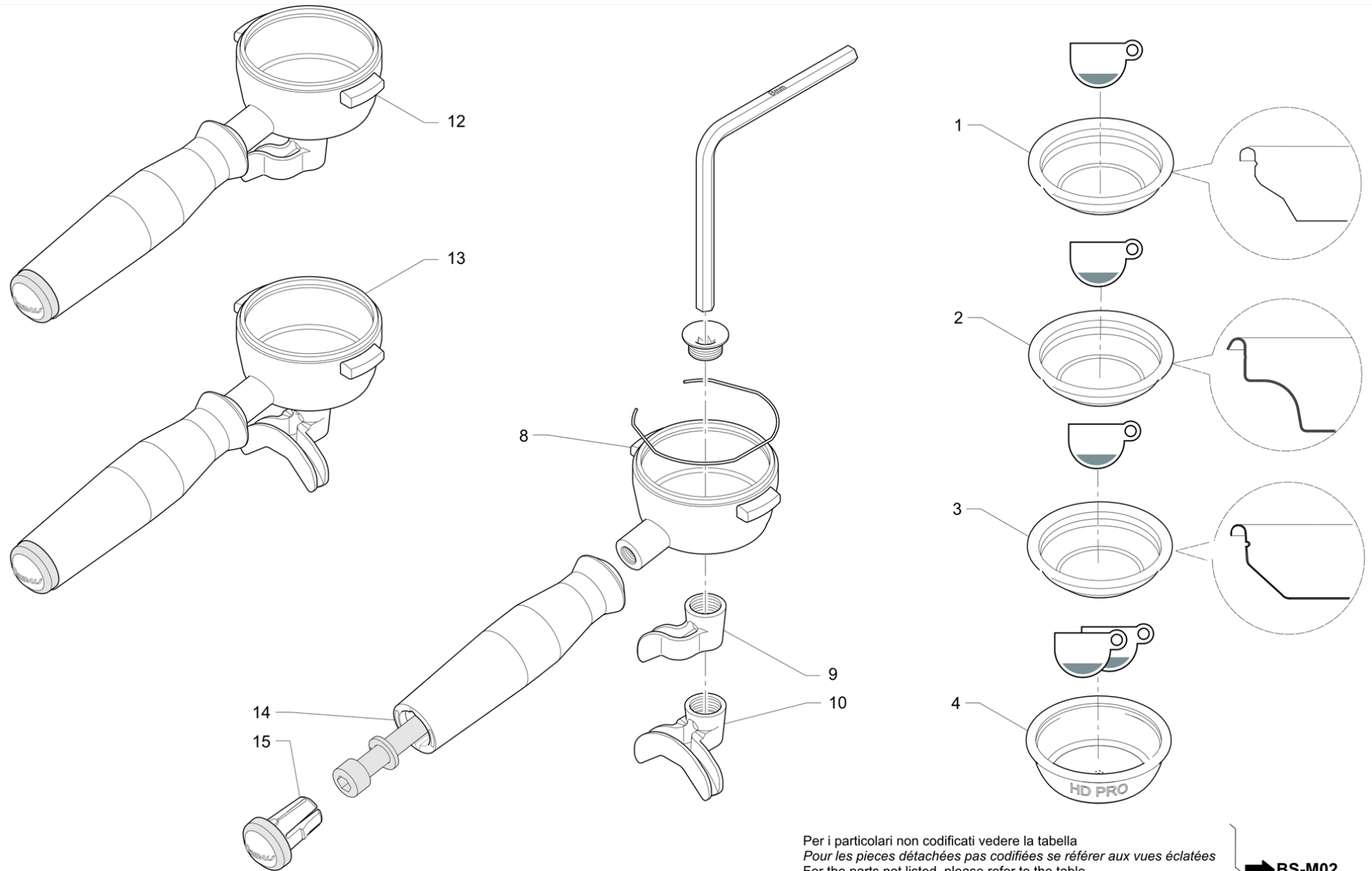
Pos	Part Number	Description	Validity	Notes
3	457233000	FILTER 2 COFFEE		
4	457163000	1 CUP FILTER		
5	457249010	1 CUP FILTER		
6	457232000	FILTER 1 COFFEE		
7	458101000	SPRING FILTERHOLDER		
8	457563020	2-WAY CUP ASSY		
8	957505010F	2-WAY NSF CUP ASSY	N:NSF	
9	457895020	SPOUT DOUBLE SHORT		
10	457357007	SPOUT COVER		
11	4142011678	SPOUT HOLE CLOSING PLUG		
12	457564030	1-WAY CUP ASSEMBLY		
	⇌ 457564020	FILTERHOLDER 1 WAY CUP		
12	957504020F	1-WAY NSF 372 CUP ASSEMBLY	N:NSF	
	⇌ 957504010F	1-WAY NSF CUP ASSY	N:NSF	
13	457358017	1 WAY SPOUT		
14	457058000	DISK CLEANING GROUP		
15	457062020	BELL CLEANING BRUSH		
	⇌ 457062000	BRUSH		
18	957853010F	CIMBALI BRASS/DESMO 2-WAY FILTER-HOLDER		
	⇌ 457890070F	2-WAY FILTER-HOLDER ASSY		
18	957853010F	CIMBALI BRASS/DESMO 2-WAY FILTER-HOLDER	N:NSF	
	⇌ 994819000F	2-WAY (E) NSF FILTER-HOLDER ASSY	N:NSF	
19	957854010F	CIMBALI BRASS/DESMO 1-WAY FILTER-HOLDER		
	⇌ 457891090F	1-WAY NR FILTER-HOLDER ASSY		
19	994818010F	1-WAY (E) NSF FILTER-HOLDER W/O FILTER	N:NSF	
	⇌ 994818000F	1-WAY (E) NSF FILTER-HOLDER ASSY	N:NSF	
20	957823000	GRIP ASSY M29/M24/M34/M39		
21	957182000	FILTER-HOLDER KNOB CAP		

Per i particolari non codificati vedere la tabella
 Pour les pièces détachées pas codifiées se référer aux vues éclatées
 For the parts not listed, please refer to the table
 Bezüglich der nicht kodifizierten Ersatzteile bitte die Tabelle verwenden
 Por los repuestos no codificados rogamos de utilizar la tabula
 Pelos particulares no codificados outar as tabela

➔ BS-M01



Pos	Part Number	Description	Validity	Notes
1	957853010F	CIBALI BRASS/DESMO 2-WAY FILTER-HOLDER		
3	957854010F	CIBALI BRASS/DESMO 1-WAY FILTER-HOLDER		
5	457599000F	1-WAY SPOUT		
6	457598000F	2-WAY SPOUT		
7	629000300	8" ALLEN KEY		
8	457443000F	SPOUT SHORT SCREW		
9	457436007F	CHROME-PLATED FILTER-HOLDER CUP		
10	457588010	DESMOPAN FILTER-HOLDER GRIP		
11	457592000	CAP		
12	629000770	CIBALI FILTER REMOVAL LEVER		



Per i particolari non codificati vedere la tabella
 Pour les pièces détachées pas codifiées se référer aux vues éclatées
 For the parts not listed, please refer to the table
 Bezüglich der nicht kodifizierten Ersatzteile bitte die Tabelle verwenden
 Por los repuestos no codificados rogamos de utilizar la tabula
 Pelos particulares no codificados outar as tabela

➔ **BS-M02**

Pos	Part Number	Description	Validity	Notes
1	457163000	1 CUP FILTER		
2	457249010	1 CUP FILTER		
3	457232000	FILTER 1 COFFEE		
4	457372000	2-DOSE FILTER (HD PRO)		
8	457435000F	STAINLESS STEEL FILTER HOLDER BODY		
9	457441000F	STAINLESS STEEL 1-WAY SPOUT		
10	457439000F	STAINLESS STEEL 2-WAY SPOUT		
12	957851010F	STAINLESS STEEL/DESMO 1-WAY FILTER-HOLDE		
13	957850010F	STAINLESS STEEL/DESMO 2-WAY FILTER-HOLDE		
14	457588010	DESMOPAN FILTER-HOLDER GRIP		
15	457592000	CAP		

LA Cimbali