

**Traditional coffee machines**



**M26**

**INDEX**

M26 - Generic table .....	3
PRIMARY SPARE PARTS .....	7
HYDRAULIC CIRCUIT DT2/3 SE-TE .....	8
HYDRAULIC CIRCUITDT2/3 VA SE-TE .....	10
HYDRAULIC CIRCUIT C BE .....	12
HYDRAULIC CIRCUIT DT1 BE .....	14
HYDRAULIC CIRCUIT DT1 VA BE .....	16
HYDRAULIC CIRCUIT DT2/3 BE .....	18
HYDRAULIC CIRCUIT DT2/3 VA BE .....	20
HYDRAULIC CIRCUIT DT1 TE .....	22
HYDRAULIC CIRCUIT DT1 VA TE .....	24
COACHWORK SE-BE .....	26
CUPS-WARMER .....	29
CONTROL PANEL DT2/3 SE .....	31
CONTROL PANEL C2/3 BE .....	33
COACHWORK - TALL CUP VERSION .....	35
CONTROL PANEL DT1/2/3 BE .....	37

COACHWORK TE .....	39
CONTROL PANEL DT1/2/3 TE .....	41
BOILER EQUIPMENT GR2/3 .....	43
BOILER EQUIPMENT GR1 .....	46
WATER AND STEAM TAPS .....	48
M26 - TURBOSTEAM GR2/3 .....	50
M26 - TURBOSTEAM GR1 .....	52
Hydraulic components .....	54
M26 - THERMODRIVE BE-SE .....	56
M26 - THERMODRIVE TE .....	58
M26 - THERMODRIVE TE VA .....	60
M26 - EDS .....	62
BREWING GROUP .....	64
VOLUMETRIC PUMP .....	67
ELECTRICAL BOX DT2/3 SE-TE .....	69
ELECTRICAL BOX GR2/3 BE .....	71
ELECTRICAL BOX DT1 BE-TE .....	73
FILTERHOLDERS AND FILTERS .....	75

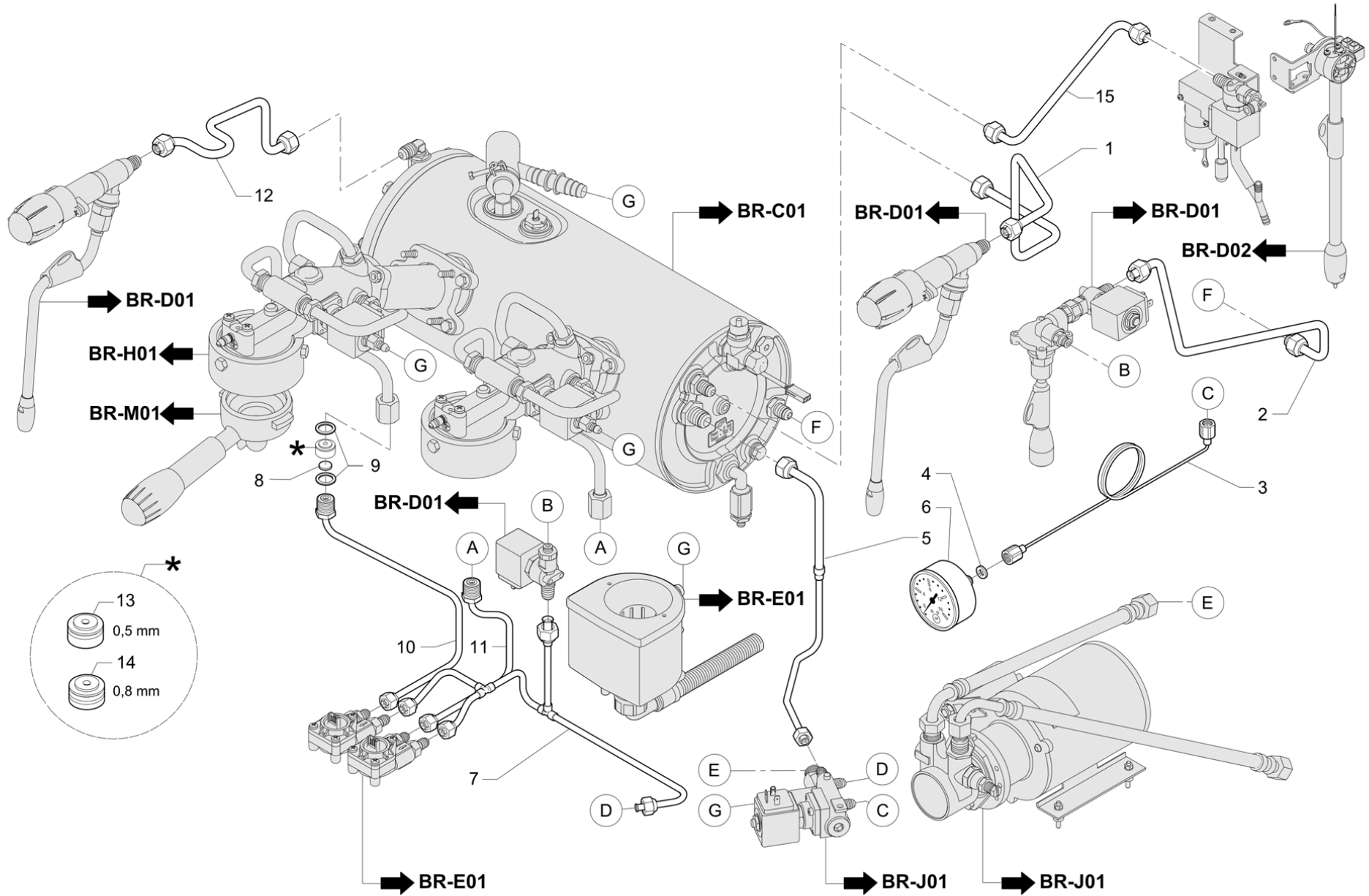
Pos	Part Number	Description	Validity	Notes
-	402317020F	OR 50.39X3.53 EPDM 70 NSF		
	⇌ 402226000	O-RING 50,39X3,53		
-	457563010	FILTRERHOLDER 2 WAY CUP		
-	457564030	1-WAY CUP ASSEMBLY		
	⇌ 457564010	FILTERHOLDER 1 WAY CUP		
-	947216000F	JET NOZZLE Ø 0.5		
	⇌ 491151000	NOZZLE § 0,5MM INOX		
-	538139010	POWER SUPPLY		
	⇌ 538139000	POWER SUPPLY		
-	937108000F	JET NOZZLE Ø 0.8		
	⇌ 903143000	JET 0,8MM. INOX		
-	537059400	NEWTON CPU BOARD		
	⇌ 947758020	CPU BOARD NEWTON		
-	947844010	COMPLETE GRILLE ASSEMBLY		
	⇌ 947844000	COMPLETE GRILLE ASSEMBLY		
-	959775020	DRAIN BASIN ASS. WITH 5 INPUTS		
	⇌ 959775010	DRAINAGE BASIN ASS. WITH 5 INPUTS		
-	959775020	DRAIN BASIN ASS. WITH 5 INPUTS		
	⇌ 959775010	DRAINAGE BASIN ASS. WITH 5 INPUTS		
-	970099010	STAINLESS STEEL UL HORIZONTAL COVER 3GR		
	⇌ 970099004	HORIZONTAL COVER 3 GROUPS UL		
-	970100010	STAINLESS STEEL UL HORIZONTAL COVER 2GR		
	⇌ 970100004	HORIZONTAL COVER 2 GROUPS UL		
-	997024020	SLUICE-VALVE 2 GROUPS M26 HV		
	⇌ 997024010	SLUICE-VALVE 2 GROUPS M26 HV		
-	997029020	LV 2-GROUP SLUICE-VALVE M26		
	⇌ 997029010	LV 2-GROUP SLUICE-VALVE M26		
-	997071020	CUP-WARMER PLATE 2 GROUPS		
	⇌ 997071000	2-GR CUP-WARMER PLATE M26		
-	997071020	CUP-WARMER PLATE 2 GROUPS		
	⇌ 997071010	2-GR CUP-WARMER PLATE M26		
-	997080010	GRILLE FOR CUP-WARMER PLATE		
	⇌ 997080000	GRILLE FOR CUP-WARMER PLATE		
-	997082010	3-GR SLUICE-VALVE M26 HV		
	⇌ 997082000	SLUICE-VALVE 3 GROUPS M26 HV		
-	997083010	3-GR SLUICE VALVE M26 LV		
	⇌ 997083000	LV 3-GROUP SLUICE-VALVE M26		
-	997100020	CUP-WARMER PLATE - 3 GROUPS		
	⇌ 997100000	3-GR CUP-WARMER PLATE M26		
-	997100020	CUP-WARMER PLATE - 3 GROUPS		
	⇌ 997100010	3-GR CUP-WARMER PLATE M26		
-	997135010	1 GROUP CUPS WARMER PLATE		
	⇌ 997135000	PIANO SCALDATAZZE M26 1 GRUPPO		
-	997136010	1 GROUP CUP-WARMER GRILLE		
	⇌ 997136000	GRIGLIA PIANO SCALDATAZZE M26 1 GRUPPO		

Pos	Part Number	Description	Validity	Notes
-	997511020	TURBOSTEAM BUTTON PAD		
	⇄ 997511010	TURBOSTEAM BUTTON PAD		
-	997526020	REAR PANEL 2GR		
	⇄ 997526000	REAR PANEL ASSEMBLY M26 2-GR		
-	997527010	M26 2GRP BASE FRONT PANEL		
	⇄ 997527000	BASE FRONT PANEL M26 2-GR		
-	997540010	M26 3GRP BASE FRONT PANEL		
	⇄ 997540000	BASE FRONT PANEL M26 3-GR		
-	457890070F	2-WAY FILTER-HOLDER ASSY		
	⇄ 457890060F	2-WAY FILTER-HOLDER ASSY		
-	457891100F	1-WAY NR FILTER-HOLDER ASSEMBLY		
	⇄ 457891070F	1-WAY FILTER-HOLDER ASSY		
-	457891100F	1-WAY NR FILTER-HOLDER ASSEMBLY		
	⇄ 457891080F	ASS. PORTAFILTRO 1 VIA NR		
-	947555020F	ECE CARTRIDGE FILLING TUBE ASS.		
	⇄ 947555000F	CARTIDGE FILLING TUBE ASS.		
-	947555020F	ECE CARTRIDGE FILLING TUBE ASS.		
	⇄ 947555010F	CARTRIDGE FILLING TUBE ASS.		
-	947557020F	OUTPUT TUBE GROUP-SHORT FILLING CART.		
	⇄ 947557000F	OUTPUT TUBE GROUP-SHORT FILLING CART.		
-	947557020F	OUTPUT TUBE GROUP-SHORT FILLING CART.		
	⇄ 947557010F	OUTPUT TUBE GROUP-SHORT FILLING CART.		
-	957504020F	1-WAY NSF 372 CUP ASSEMBLY		
	⇄ 957504000F	1-WAY NSF CUP ASSEMBLY		
-	957505010F	2-WAY NSF CUP ASSY		
	⇄ 957505000F	2-WAY NSF CUP ASSEMBLY (REPL. 457565010)		
-	957725060F	2-WAY FILTER-HOLDER ASSY		
	⇄ 957725050F	2-WAY FILTER-HOLDER ASSY		
-	957726070F	1-WAY CR FILTER-HOLDER ASSEMBLY		
	⇄ 957726050F	1-WAY FILTER-HOLDER ASSY		
-	957778020F	2-WAY (E) NSF FILTER-HOLDER ASSY		
	⇄ 957778010F	2-WAY (E) NSF FILTER HOLDER		
-	957792030F	1-WAY (E) NSF 372 FILTER-HOLDER ASSEMBLY		
	⇄ 957792010F	1-WAY (E) NSF FILTER-HOLDER ASSEMBLY		
-	997556020F	CARTRIDGE FILLING TUBE M26 HV		
	⇄ 997556010F	FILLING TUBE CARTRIDGE ASSEMBLY M26 HV		
-	997557003F	GROUP ENTRY TUBE ASS. M26 HV		
	⇄ 997557000F	RUVECO FIRST COOL. GROUP ASS. HV		
-	997562010F	TUBE FOR FIXED THERMODRIVE NOZZLE		
	⇄ 997562000F	TUBE FOR FIXED THERMODRIVE NOZZLE		
-	997573010F	PRESSURE GAUGE TUBE M26 2 GR LV		
	⇄ 997573000F	PRESSURE GAUGE TUBE M26 S 2 GR LV		
-	960086014	HORIZONTAL COVER 2-GROUP		
-	960088014	HORIZONTAL COVER 3-GROUP		

Pos	Part Number	Description	Validity	Notes
-	997127014	1 GR HORIZONTAL COVER		
-	537059400	NEWTON CPU BOARD		
-	537059600	DISPLAY		
-	537060300	AUTOSTEAM BOARD SPARE PARTS KIT		
-	537060500	POWER SLAVE NEWTON BOARD		
-	537060700	BASE BOARD		
-	532178800	LAMELLAR TERMINAL BOARD		
-	532178900	LAMELLAR TERMINAL BOARD		
-	997016010	SIDE CENTRING PIN M26		
-	457564030	1-WAY CUP ASSEMBLY		
-	457891100F	1-WAY NR FILTER-HOLDER ASSEMBLY		
-	957504020F	1-WAY NSF 372 CUP ASSEMBLY		
-	957726070F	1-WAY CR FILTER-HOLDER ASSEMBLY		
-	957792030F	1-WAY (E) NSF 372 FILTER-HOLDER ASSEMBLY		
-	994818010F	1-WAY (E) NSF 372 FILTER-HOLDER ASSEMBLY		
-	994819010F	2-WAY (E) NSF 372 FILTER-HOLDER ASSEMBLY		
-	994519010F	THERMODRIVE TUBE 1GRP HV		
-	997273000	TURBOSTEAM PLATE - SILVER		
-	970099010	STAINLESS STEEL UL HORIZONTAL COVER 3GR		
-	970100010	STAINLESS STEEL UL HORIZONTAL COVER 2GR		
-	532662700F	RUVECO ENVELOPE 1/8 ELBOW CONNECTOR		
-	532662800F	CONNECTOR 1/8 X 1/8 WITH ENVELOPE		
-	535999010	WIRING		
-	997544000	COMMAND PANEL ASSEMBLY M26 2-GR S		
-	997548000	COMMAND PANEL ASSEMBLY M26 3-GR		
-	797700000	LEFT SIDE UL		
-	797701000	RIGHT SIDE UL		
-	797702000	RIGHT SIDE TE		
-	797703000	LEFT SIDE TE		
-	797704000	LEFT SIDE TE UL		
-	797705000	RIGHT SIDE TE UL		
-	997511020	TURBOSTEAM BUTTON PAD		
-	997585010	CONTINUOUS WATER BUTTON PAD		
-	997586010	WATER CARD 1 GR		
-	997586014	WATER CARD 1 GR TE		
-	997660010	LOW WATER BUTTON PAD		
-	797706000	RIGHT SIDE		
-	797707000	LEFT SIDE		
-	937055010	1/8 RUBBER HOLDER CONNECTOR		
-	997275000	PIN GUIDE BLOCK TS		
-	997526020	REAR PANEL 2GR		
-	997541010	REAR PANEL 3GR		
-	997577010	REAR PANEL 1GR		
-	985604000	STEAM WAND W/OUT BULB		
-	973907000F	ThermoDrive.		

Pos	Part Number	Description	Validity	Notes
-	997584010	SEMI-AUTOMATIC COFFEE BUTTON PANEL		

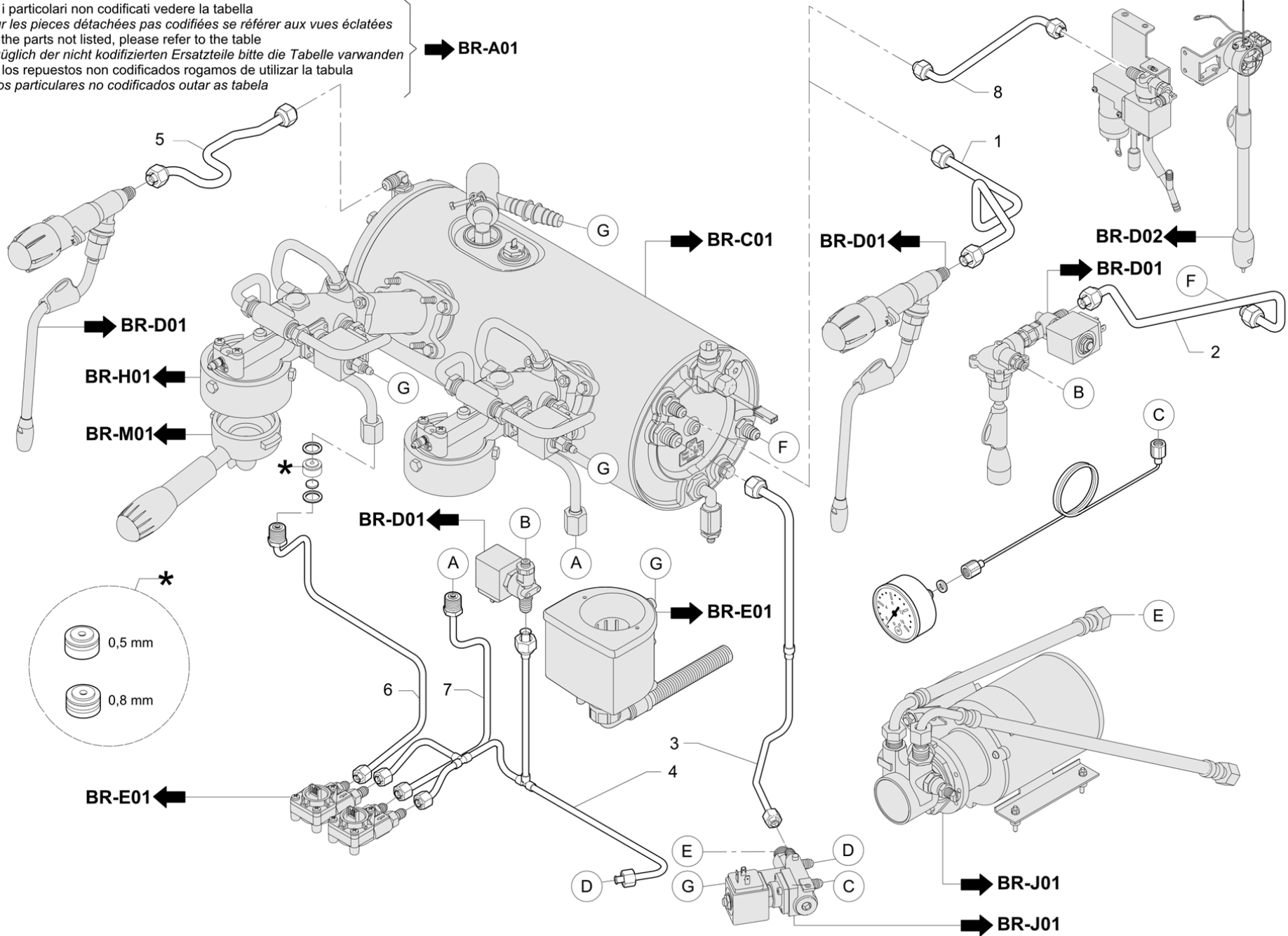
Pos	Part Number	Description	Validity	Notes
-	997510000	SERVICES AND PROGRAMMING BUTTON PANEL		
-	997509000	5-OPTION COFFEE BUTTON PANEL		
-	997584010	SEMI-AUTOMATIC COFFEE BUTTON PANEL		
-	997561000	5-OPTION COFFEE BUTTON PANEL		
-	997509004	5-OPTION COFFEE BUTTON PAD TE		
-	997510004	SERVICES AND PROGRAMMING BUTTON PAD TE		
-	997633000	4-OPTION TURBOSTEAM BUTTON PAD		
-	997561004	LOW RANGE 5-OPTION COFFEE BUTTON PAD TE		
-	997585010	CONTINUOUS WATER BUTTON PAD		
-	997586010	WATER CARD 1 GR		
-	997586014	WATER CARD 1 GR TE		
-	997660010	LOW WATER BUTTON PAD		



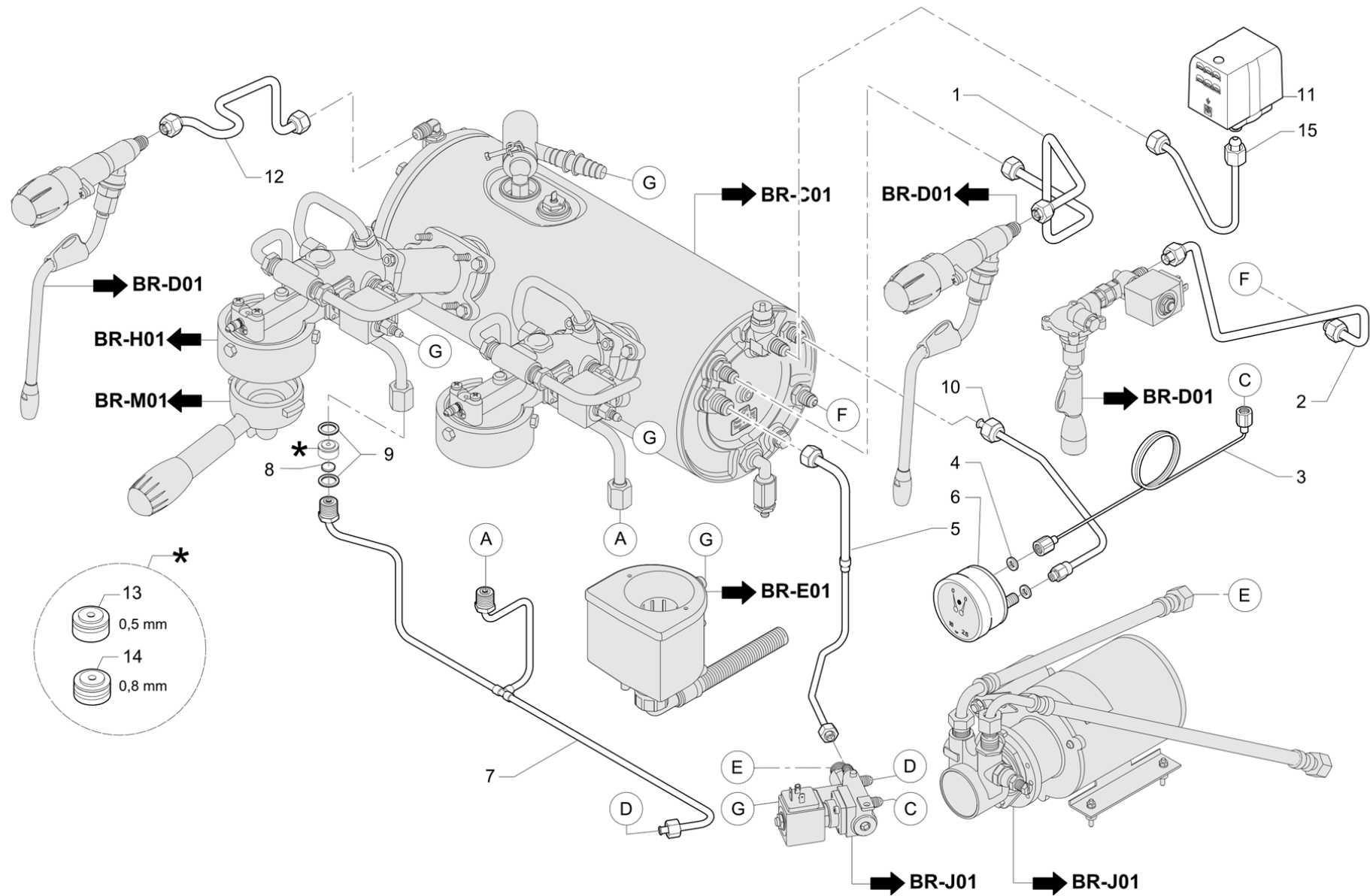


Pos	Part Number	Description	Validity	Notes
1	997520000F	RH STEAM TUBE M26 LV		
2	997531000F	WATER TUBE M 26 A LV		
3	3951133673	TUBE FOR GAUGE		
4	401196010	GASKET 8,5X4,5X1,5		
5	960539010	BOILER FILLING TUBE M34 LV		
6	531196010	PRESSURE GAUGE		
7	997508000F	FAN TUBE - WATER 2GR M26 LV		
7	997658000F	WATER-FAN RAMP 3GR M26 LV		
8	481361000	FILTER WITH HOLDER 9X1.5 INOX		
9	401234000	GASKET COPPER		
10	952528020F	FAN TUBE - GROUP 2		
10	952528028F	FAN TUBE - GROUP 2 M24 NSF	N:NSF	
11	952527020F	FAN TUBE - GROUP 1		
11	952527028F	FAN TUBE NSF - GROUP 1	N:NSF	
12	997518000F	LH STEAM TUBE M26 LV		
12	997518008F	M26 LV NSF LH STEAM TUBE	N:NSF	
13	947216000F	JET NOZZLE Ø 0.5		
14	937108000F	JET NOZZLE Ø 0.8		
15	997536000F	TURBO-STEAM SOLENOID VALVE/BOILER TUBE M		
15	997536008F	BOILER TUBE /SOL. VALVE TURBO	N:NSF	

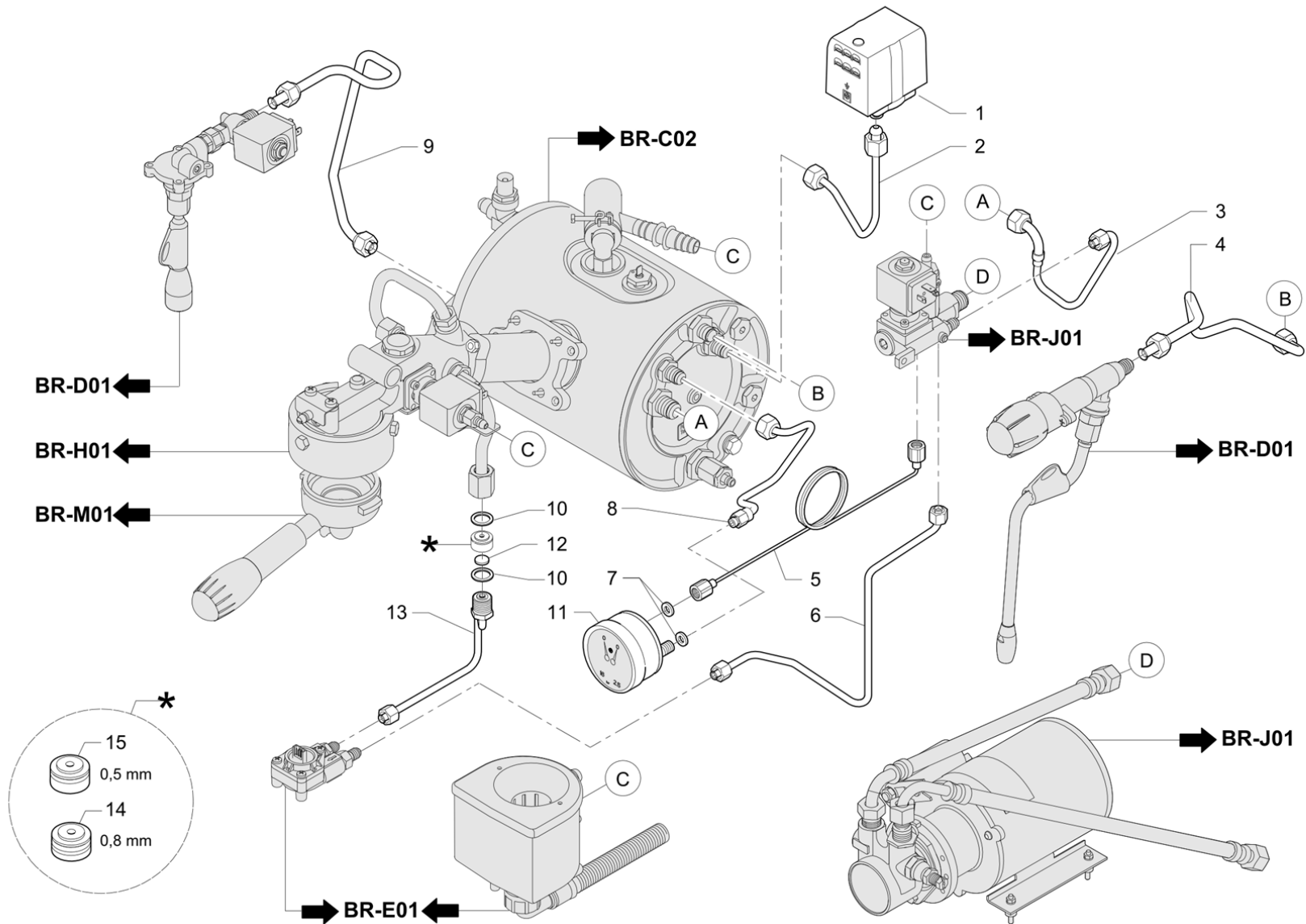
Per i particolari non codificati vedere la tabella  
 Pour les pièces détachées pas codifiées se référer aux vues éclatées  
 For the parts not listed, please refer to the table  
 Bezüglich der nicht kodifizierten Ersatzteile bitte die Tabelle verwenden  
 Por los repuestos non codificados rogamos de utilizar la tabula  
 Pelos particulares no codificados outar as tabela



Pos	Part Number	Description	Validity	Notes
1	997519000F	RH STEAM TUBE M26 HV		
2	997521000F	WATER TUBE M 26 A HV		
3	960540010	BOILER FILLING TUBE M34 HV		
4	997516000F	FAN TUBE - WATER 2GR M26 HV		
4	997657000F	WATER-FAN RAMP 3GR M26 HV		
5	997517000F	LH STEAM TUBE M26 HV		
5	997517008F	M26 HV NSF LH STEAM TUBE	N:NSF	
6	997533000F	FAN TUBE - GROUP 2 M26		
6	997533008F	FAN TUBE-2 M26 NSF GROUP	N:NSF	
7	997532000F	FAN TUBE - GROUP 1 M26		
7	997532008F	FAN TUBE-1 M26 NSF GROUP	N:NSF	
8	997537000F	TURBO-STEAM SOLENOID VALVE/BOILER TUBE M		
8	997537008F	BOILER TUBE /SOL. VALVE TURBO	N:NSF	

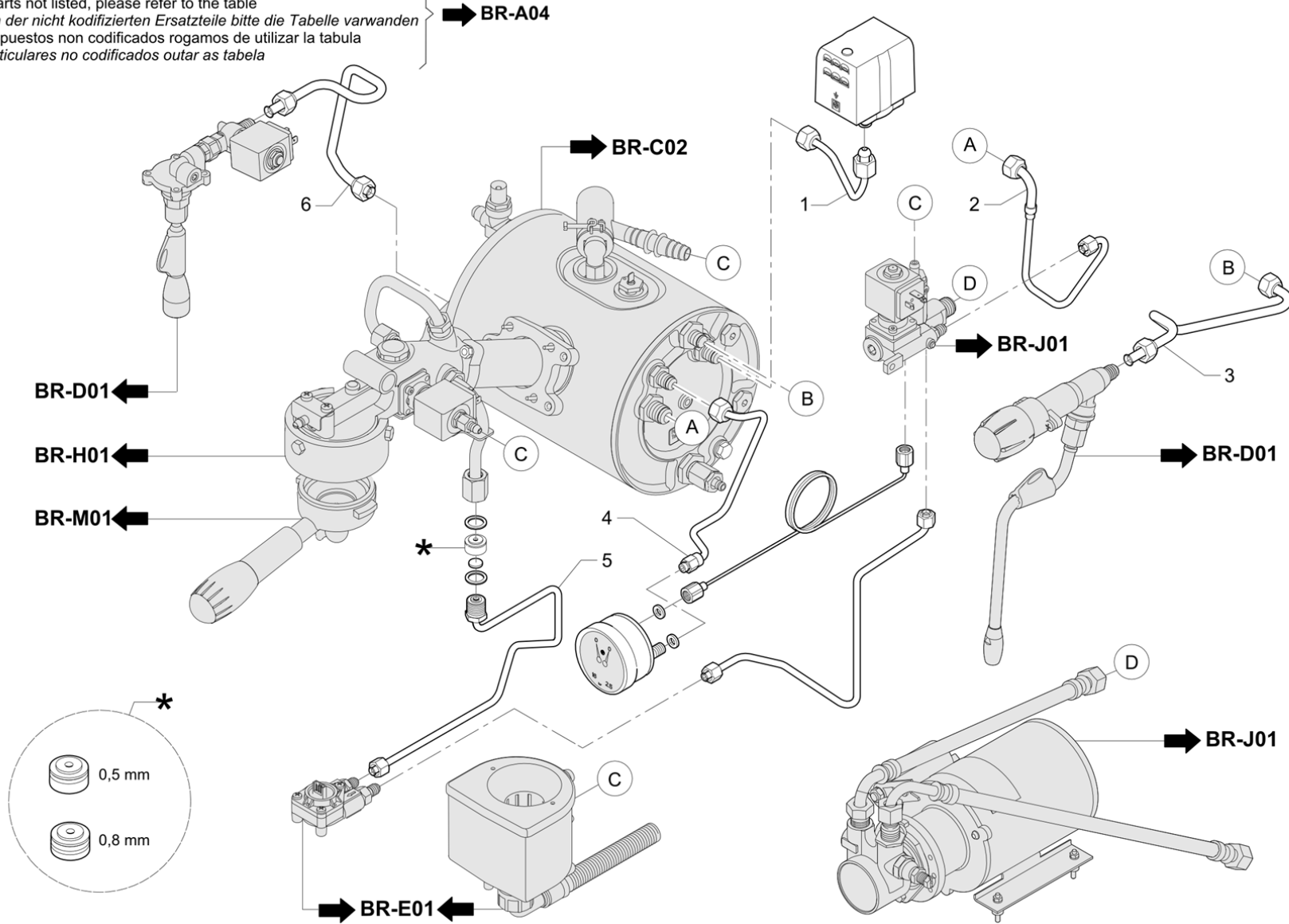


Pos	Part Number	Description	Validity	Notes
1	997520000F	RH STEAM TUBE M26 LV		
2	997531000F	WATER TUBE M 26 A LV		
3	3951133673	TUBE FOR GAUGE		
4	401196010	GASKET 8,5X4,5X1,5		
5	960539010	BOILER FILLING TUBE M34 LV		
6	978017010	DOUBLE SCALE PRESSURE GAUGE		
7	997643000F	GROUP TUBE 2GR.M26 VB		
7	997644000F	GROUP TUBE 3GRP M26 VB		
8	481361000	FILTER WITH HOLDER 9X1.5 INOX		
9	401234000	GASKET COPPER		
10	997573010F	PRESSURE GAUGE TUBE M26 2 GR LV		
11	532195500	PRESSOSTAT		
12	997518000F	LH STEAM TUBE M26 LV		
13	947216000F	JET NOZZLE Ø 0.5		
14	937108000F	JET NOZZLE Ø 0.8		
15	997574000F	PRESSURE SWITCH TUBE M26 LV		



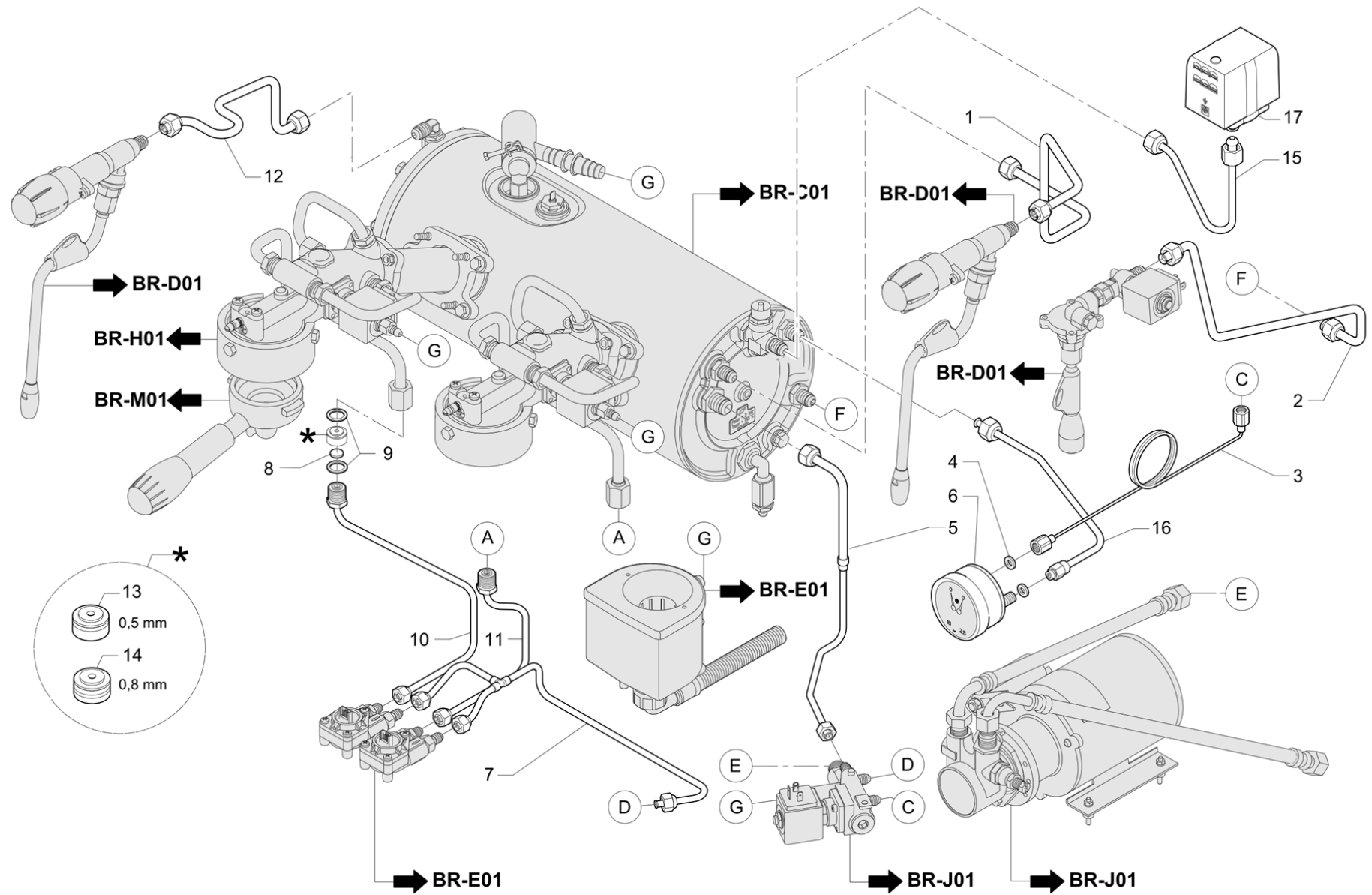
Pos	Part Number	Description	Validity	Notes
1	532195500	PRESSOSTAT		
2	997648000F	M26 1 GRP LV PRESSURE SWITCH TUBE ASSEMB		
3	997646000F	M26 1 GRP LV BOILER FILLING TUBE		
4	997651000F	M26 1 GRP LV RIGHT STEAM TUBE		
5	3951133673	TUBE FOR GAUGE		
6	997659000F	M26 LV 1 GR FAN TUBE W/DOSED WATER		
7	401196010	GASKET 8,5X4,5X1,5		
8	997647000F	M26 1 GRP LV PRESSURE GAUGE TUBE		
9	997591000F	M26 1 GROUP LV WATER INTAKE TUBE		
10	401234000	GASKET COPPER		
11	978017010	DOUBLE SCALE PRESSURE GAUGE		
12	481361000	FILTER WITH HOLDER 9X1.5 INOX		
13	997596000F	FAN TUBE		
13	997596008F	FAN TUBE	M:JP	
14	937108000F	JET NOZZLE Ø 0.8		
15	947216000F	JET NOZZLE Ø 0.5		

Per i particolari non codificati vedere la tabella  
 Pour les pièces détachées pas codifiées se référer aux vues éclatées  
 For the parts not listed, please refer to the table  
 Bezüglich der nicht kodifizierten Ersatzteile bitte die Tabelle verwenden  
 Por los repuestos no codificados rogamos de utilizar la tabula  
 Pelos particulares no codificados outar as tabela

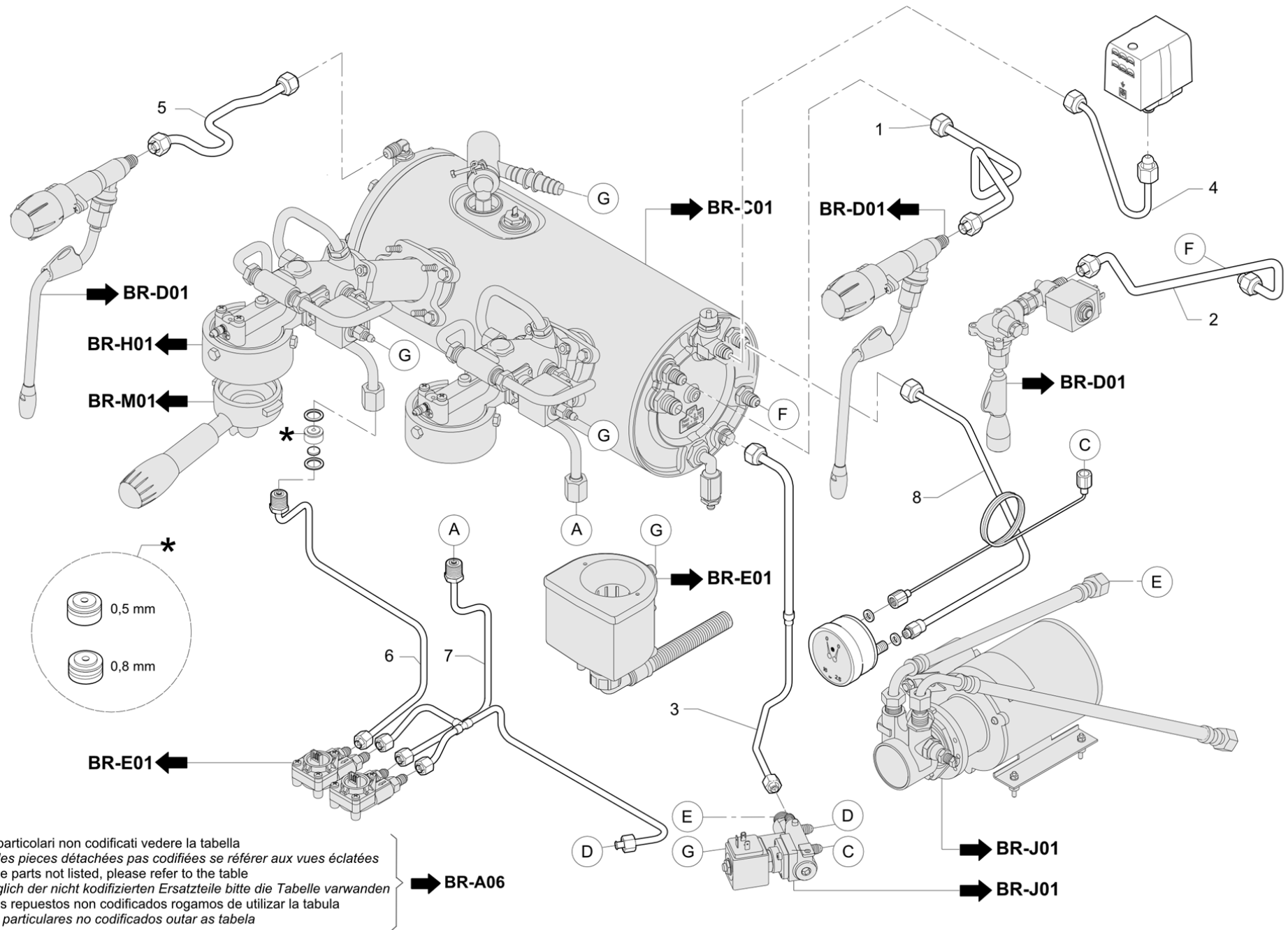




Pos	Part Number	Description	Validity	Notes
1	997654000F	1 GRP PRESSURE SWITCH TUBE ASSEMBLY		
2	997652000F	BOILER LOAD TUBE HV		
3	997588000F	1 GRP HV RIGHT STEAM TUBE		
4	997653000F	PRESSURE SWITCH TUBE HV		
5	997602000F	FAN TUBE		
5	997602008F	FANS TUBE	M:JP	
6	997592000F	WATER INTAKE TUBE M26 1 GROUP HV		

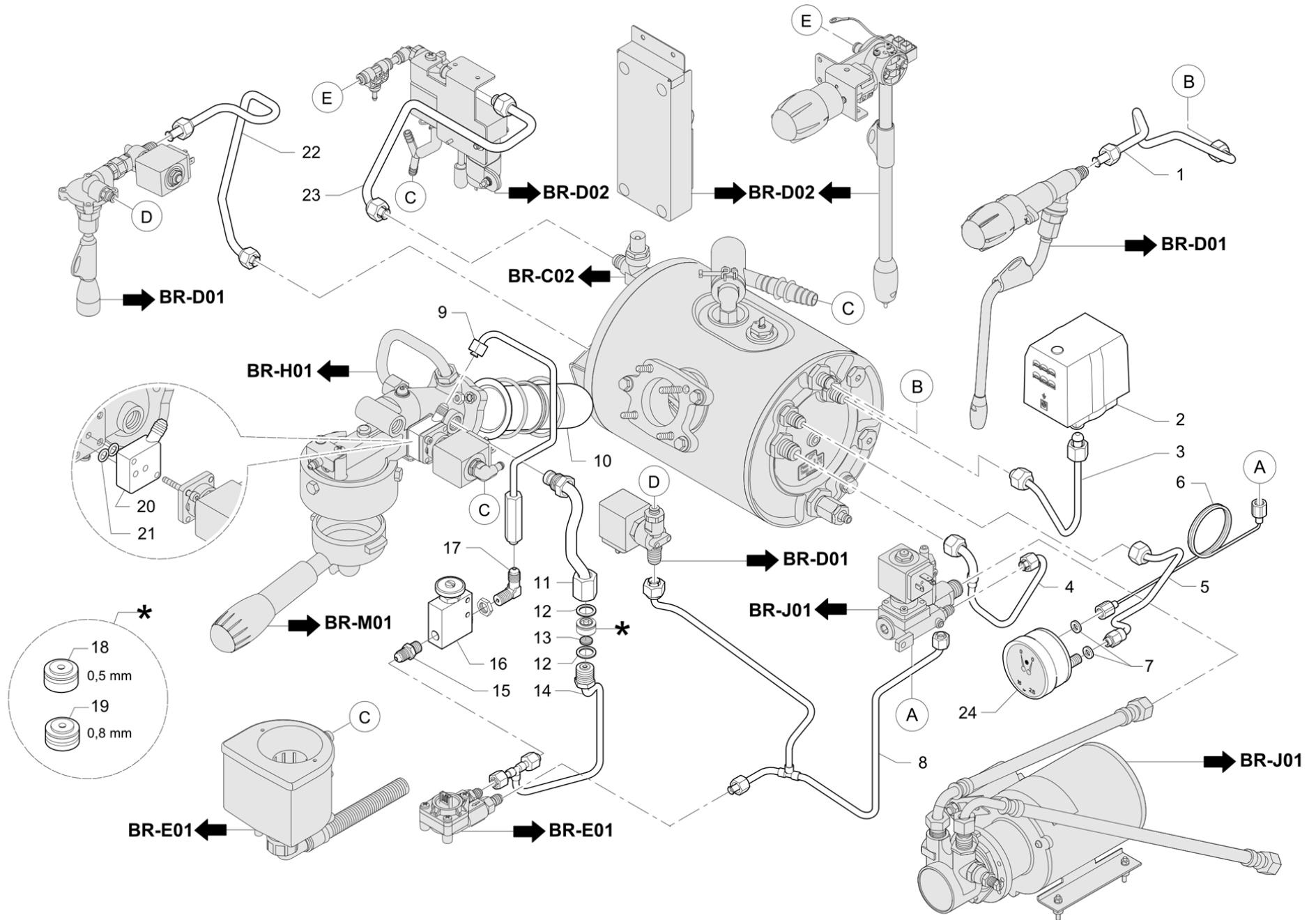


Pos	Part Number	Description	Validity	Notes
1	997520000F	RH STEAM TUBE M26 LV		
1	997520008F	RIGHT STEAM TUBE M26 LV NSF	N:NSF	
2	997531000F	WATER TUBE M 26 A LV		
3	3951133673	TUBE FOR GAUGE		
4	401196010	GASKET 8,5X4,5X1,5		
5	960539010	BOILER FILLING TUBE M34 LV		
6	978017010	DOUBLE SCALE PRESSURE GAUGE		
7	997671000F	M26 2 GROUPS BE LV FANS RAMP		
7	997674000F	M26 3 GROUPS BE LV FANS RAMP		
8	481361000	FILTER WITH HOLDER 9X1.5 INOX		
9	401234000	GASKET COPPER		
10	952528020F	FAN TUBE - GROUP 2		
10	952528028F	FAN TUBE - GROUP 2 M24 NSF	N:NSF	
11	952527020F	FAN TUBE - GROUP 1		
11	952527028F	FAN TUBE NSF - GROUP 1	N:NSF	
12	997518000F	LH STEAM TUBE M26 LV		
12	997518008F	M26 LV NSF LH STEAM TUBE	N:NSF	
13	947216000F	JET NOZZLE Ø 0.5		
14	937108000F	JET NOZZLE Ø 0.8		
15	997574000F	PRESSURE SWITCH TUBE M26 LV		
16	997573010F	PRESSURE GAUGE TUBE M26 2 GR LV		
17	532195500	PRESSOSTAT		

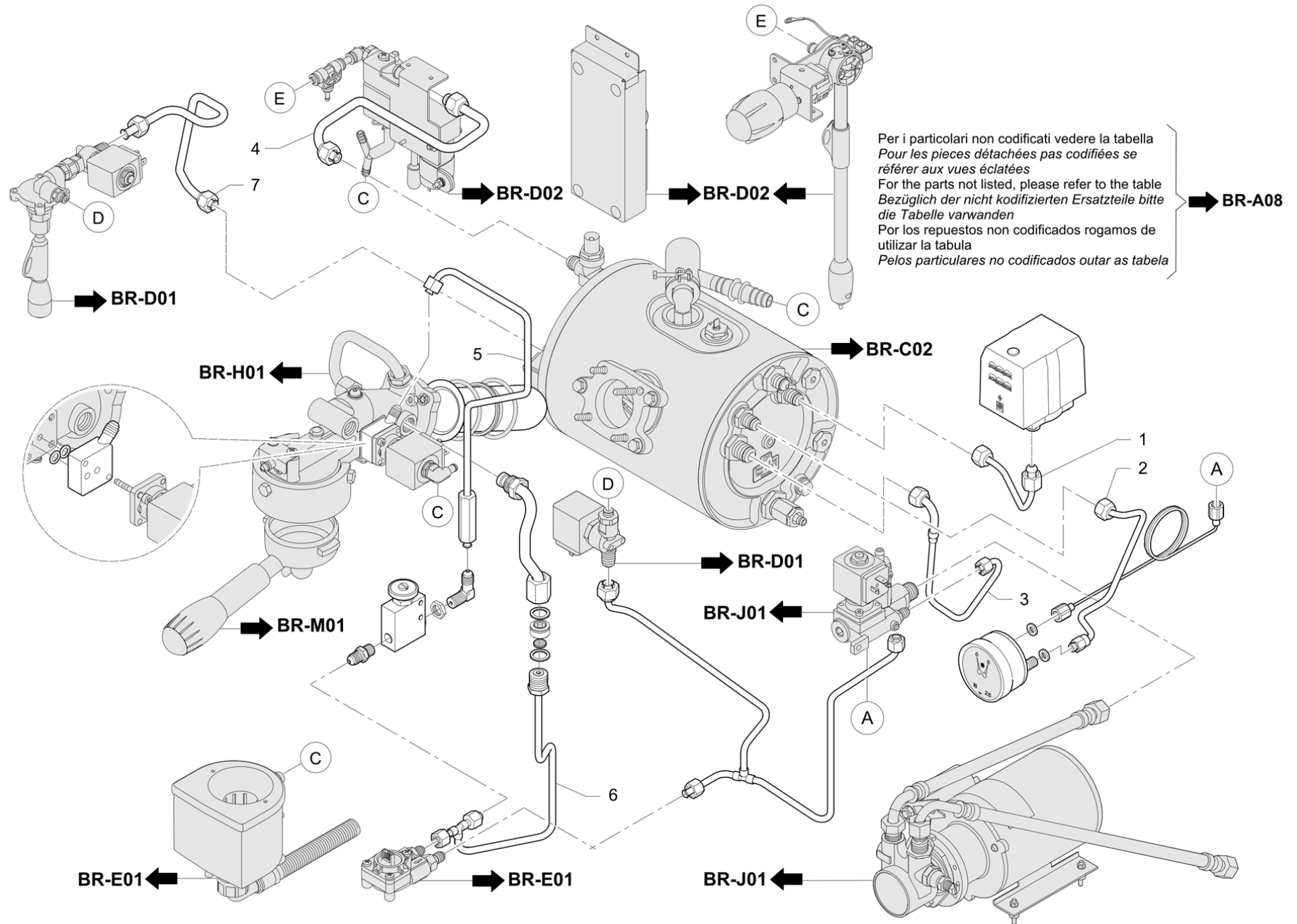


Per i particolari non codificati vedere la tabella  
 Pour les pieces détachées pas codifiées se référer aux vues éclatées  
 For the parts not listed, please refer to the table  
 Bezüglich der nicht kodifizierten Ersatzteile bitte die Tabelle verwenden  
 Por los repuestos no codificados rogamos de utilizar la tabula  
 Pelos particulares no codificados outar as tabela

Pos	Part Number	Description	Validity	Notes
1	997519000F	RH STEAM TUBE M26 HV		
1	997519008F	RIGHT STEAM TUBE M26 HV NSF	N:NSF	
2	997521000F	WATER TUBE M 26 A HV		
3	960540010	BOILER FILLING TUBE M34 HV		
4	997672000F	M26 HV PRESSURE SWITCH TUBE		
5	997517000F	LH STEAM TUBE M26 HV		
5	997517008F	M26 HV NSF LH STEAM TUBE	N:NSF	
6	997533000F	FAN TUBE - GROUP 2 M26		
6	997533008F	FAN TUBE-2 M26 NSF GROUP	N:NSF	
7	997532000F	FAN TUBE - GROUP 1 M26		
7	997532008F	FAN TUBE-1 M26 NSF GROUP	N:NSF	
8	997673000F	M26 2 GRP HV PRESSURE GAUGE TUBE		

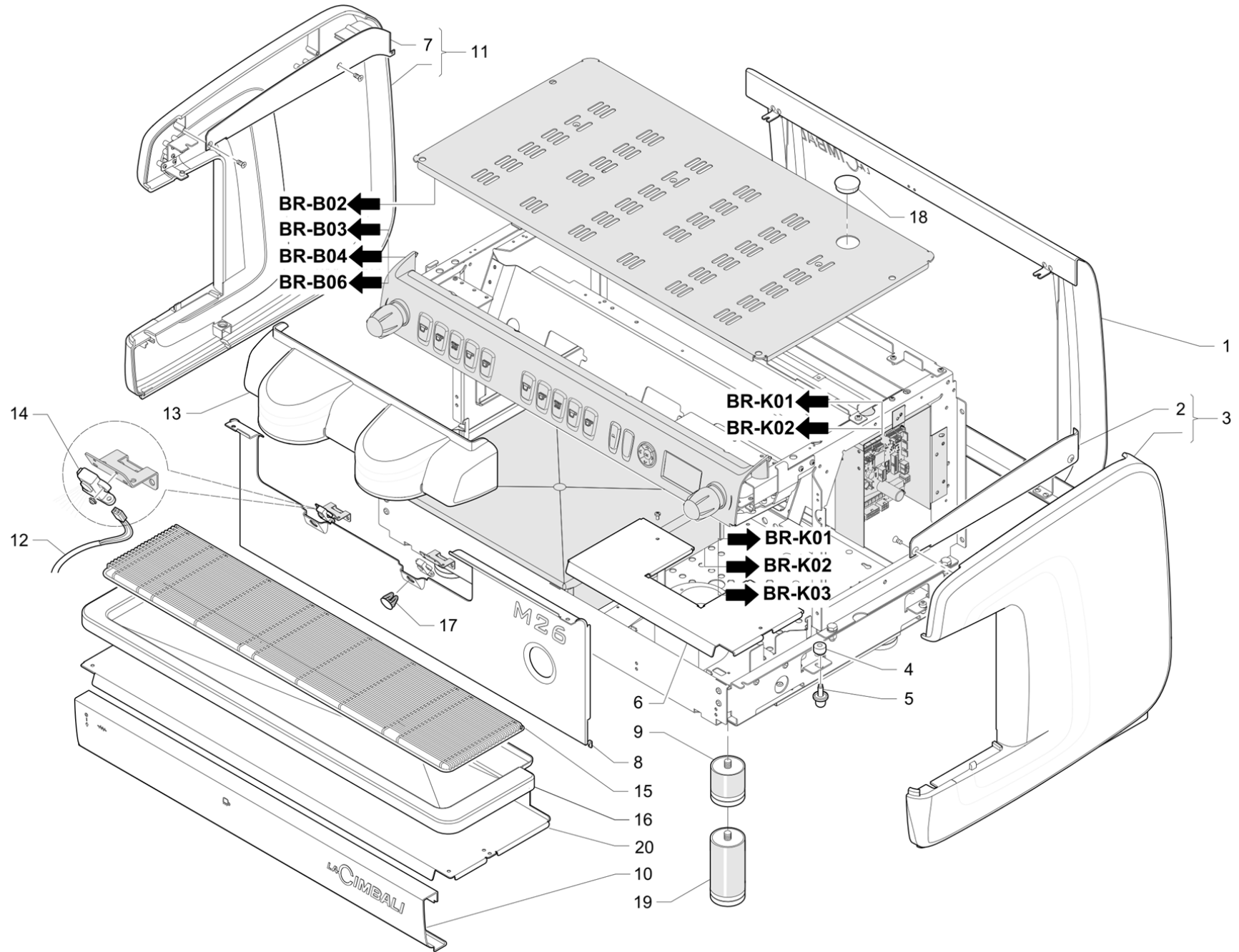


Pos	Part Number	Description	Validity	Notes
1	997651000F	M26 1 GRP LV RIGHT STEAM TUBE		
2	532195500	PRESSOSTAT		
3	997648000F	M26 1 GRP LV PRESSURE SWITCH TUBE ASSEMB		
4	997646000F	M26 1 GRP LV BOILER FILLING TUBE		
5	997647000F	M26 1 GRP LV PRESSURE GAUGE TUBE		
6	3951133673	TUBE FOR GAUGE		
7	401196010	GASKET 8,5X4,5X1,5		
8	997650000F	VALVE GROUP FAN TUBE M26 1GR LV		
9	994517000F	THERMODRIVE TUBE 1GR		
10	457177002	HEAT EXCHANGE		
10	457177005	CARTRIDGE NSF-USA-JPN mm15	N:NSF	
11	997677003F	COLLECTOR FILLING TUBE ECE M26 2GR COMP		
11	997677008F	COLLECTOR FILLING TUBE ECE M26 2G COMP	N:NSF	
12	401234000	GASKET COPPER		
13	481361000	FILTER WITH HOLDER 9X1.5 INOX		
14	994516000F	FAN TUBE-TD 1GR		
14	994516008F	FAN TUBE-TD 1GR LV NSF	N:NSF	
15	958086008	NIPPLE 1/8 X 1/8		
16	920658010	WATER REGULATING VALVE		
17	952108008	KNEE 1/8 1/8 RUV		
18	947216000F	JET NOZZLE Ø 0.5		
19	937108000F	JET NOZZLE Ø 0.8		
20	920619048	SOLENOID VALVE BLOCK		
21	530501200	OR 2025		
22	997591000F	M26 1 GROUP LV WATER INTAKE TUBE		
23	997649000F	TURBO-STEAM SOLENOID VALVE/BOILER TUBE M		
24	531196010	PRESSURE GAUGE		



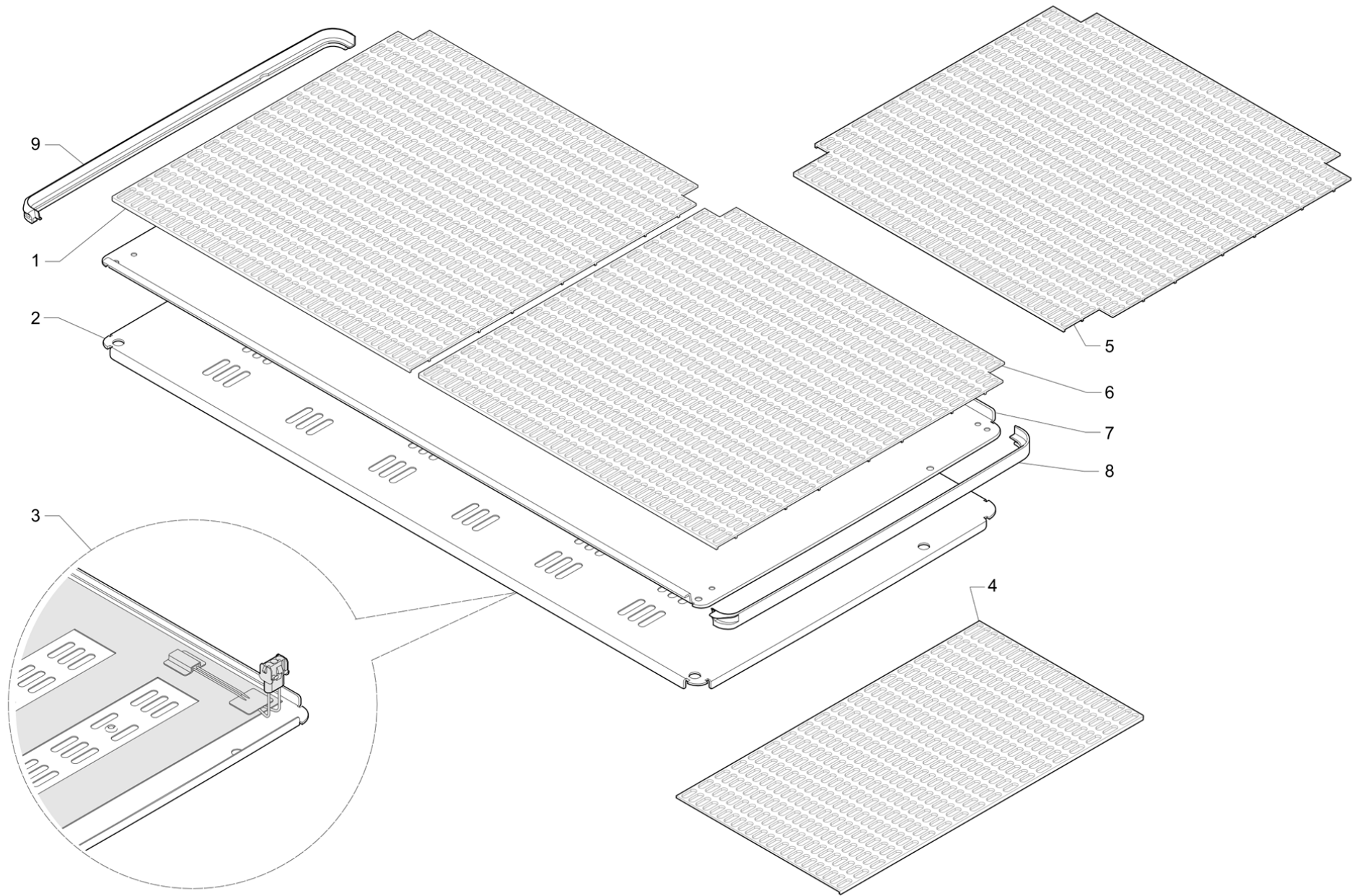


Pos	Part Number	Description	Validity	Notes
1	997654000F	1 GRP PRESSURE SWITCH TUBE ASSEMBLY		
2	997653000F	PRESSURE SWITCH TUBE HV		
3	997652000F	BOILER LOAD TUBE HV		
4	997655000F	TURBO-STEAM SOLENOID VALVE/BOILER TUBE M		
4	997655008F	TURBO-STEAM SOLENOID VALVE/BOILER TUBE M	N:NSF	
5	994519010F	THERMODRIVE TUBE 1GRP HV		
	⇌ 994519000F	THERMODRIVE TUBE 1GRP HV		
6	994518000F	FAN TUBE-TD 1GR HV		
6	994518008F	FAN TUBE-TD 1GR HV NSF	N:NSF	
7	997592000F	WATER INTAKE TUBE M26 1 GROUP HV		

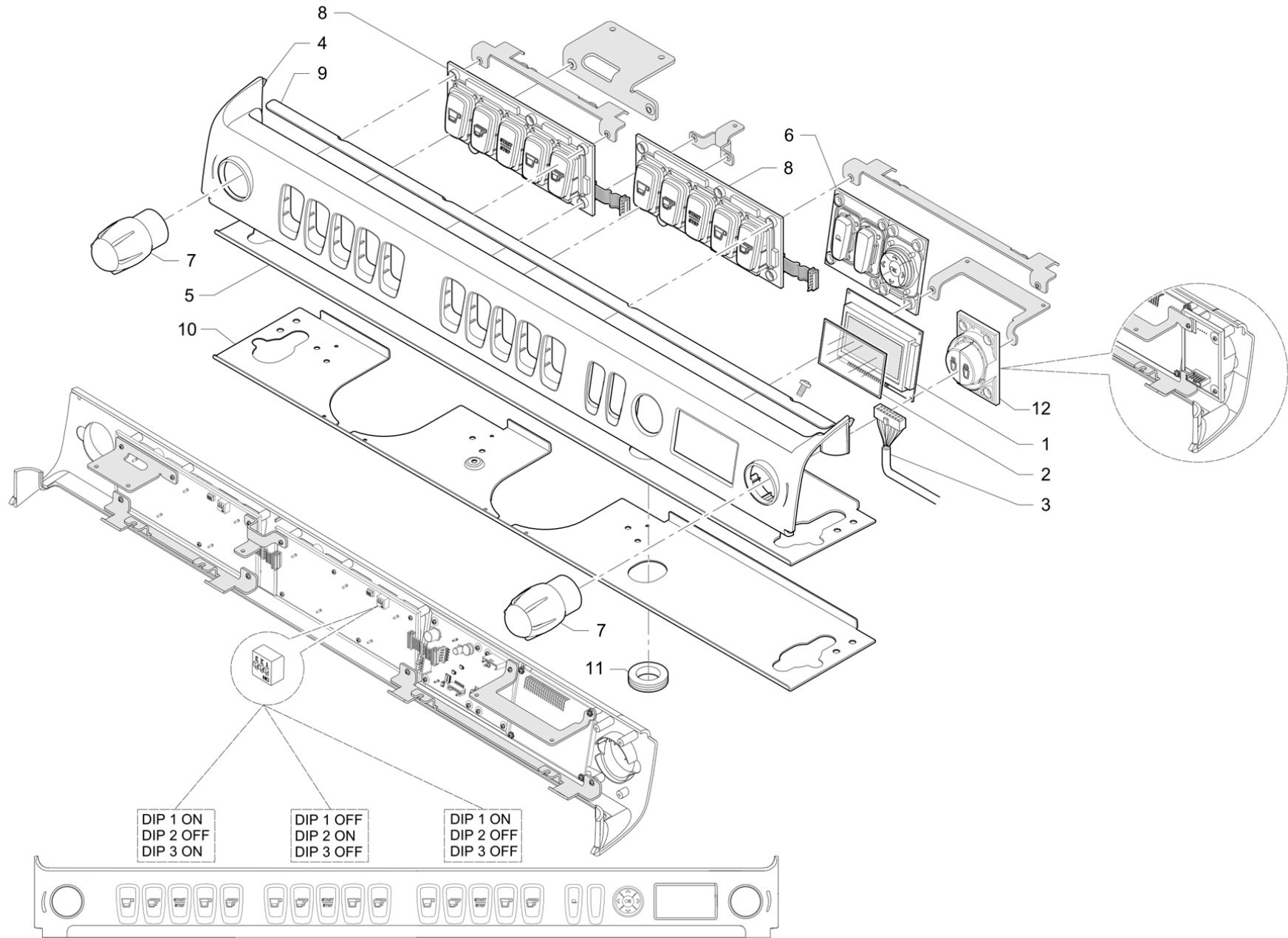


Pos	Part Number	Description	Validity	Notes
1	997526020	REAR PANEL 2GR		
	⇌ 997526010	M26 2 GR REAR PANEL ASSEMBLY		
1	997541010	REAR PANEL 3GR		
	⇌ 997541000	REAR PANEL ASSEMBLY M26 3-GR		
1	997577010	REAR PANEL 1GR		
	⇌ 997577000	REAR PANEL ASSEMBLY 1		
2	997049000	RH SIDE INSERT		
3	797706000	RIGHT SIDE		
	⇌ 997746000	COMPLETE RIGHT SIDE M26		
3	797701000	RIGHT SIDE UL	N:UL	
	⇌ 994704000	COMPLETE RIGHT SIDE UL	N:UL	
4	997015000	SIDE PIN M26		
5	997016010	SIDE CENTRING PIN M26		
	⇌ 997016000	SIDE PIN M26		
6	960086014	HORIZONTAL COVER 2-GROUP		
	⇌ 960086004	2 GR HORIZONTAL COVER		
6	960088014	HORIZONTAL COVER 3-GROUP		
	⇌ 960088004	3 GR HORIZONTAL COVER		
6	997127014	1 GR HORIZONTAL COVER		
	⇌ 997127004	1 GR HORIZONTAL COVER		
7	997046000	LH SIDE INSERT		
8	997029020	LV 2-GROUP SLUICE-VALVE M26		
8	997083010	3-GR SLUICE VALVE M26 LV		
8	997132000	SLUICE VALVE 1 GROUP M26 LV		
9	532805000	ADJUSTABLE FOOT		
10	997527010	M26 2GRP BASE FRONT PANEL		
10	997540010	M26 3GRP BASE FRONT PANEL		
10	997576000	BASE FRONT PANEL		
11	797707000	LEFT SIDE		
	⇌ 997747000	COMPLETE LEFT SIDE M26		
11	797700000	LEFT SIDE UL	N:UL	
	⇌ 994703000	COMPLETE LEFT SIDE UL	N:UL	
12	535984000	LIGHT WIRING M26 SE		
12	536206000	M 26 LIGHTS WIRING		
13	997078010	COFFEE GROUPS CASING M26 2 GRP VB		
13	997199004	M26 2 GR LV COFFEE GR. CASING UL BLACK P	N:UL	
13	997091000	COFFEE GROUPS CASING M26 3 GRP VB		
13	997197004	M26 3 GR LV COFFEE GROUPS CASING BLACK P	N:UL	
13	997134000	COFFEE GROUPS CASING		
14	997075000	LED		
15	952127000	2-GROUP BASIN GRILLE		
15	952131000	3-GR BASIN GRILLE		
15	997140000	1 GR BASIN GRILL		
16	952128000	2-GROUP BASIN		

Pos	Part Number	Description	Validity	Notes
16	952134000	3-GR BASIN		
16	997166000	1 GR BASIN		
17	532757000	CAP FOR VARIABLE HOLES 8.5/ 14.5		
18	532748700	PLUG		
19	532805500	NYLON/STAINLESS STEEL ADJ. FOOT H105/137	N:NSF	
20	970100010	STAINLESS STEEL UL HORIZONTAL COVER 2GR	N:UL	
	⇌ 970100014	HORIZONTAL COVER 2 GROUPS UL	N:UL	
20	970099010	STAINLESS STEEL UL HORIZONTAL COVER 3GR	N:UL	
	⇌ 970099014	HORIZONTAL COVER 3 GROUPS UL	N:UL	

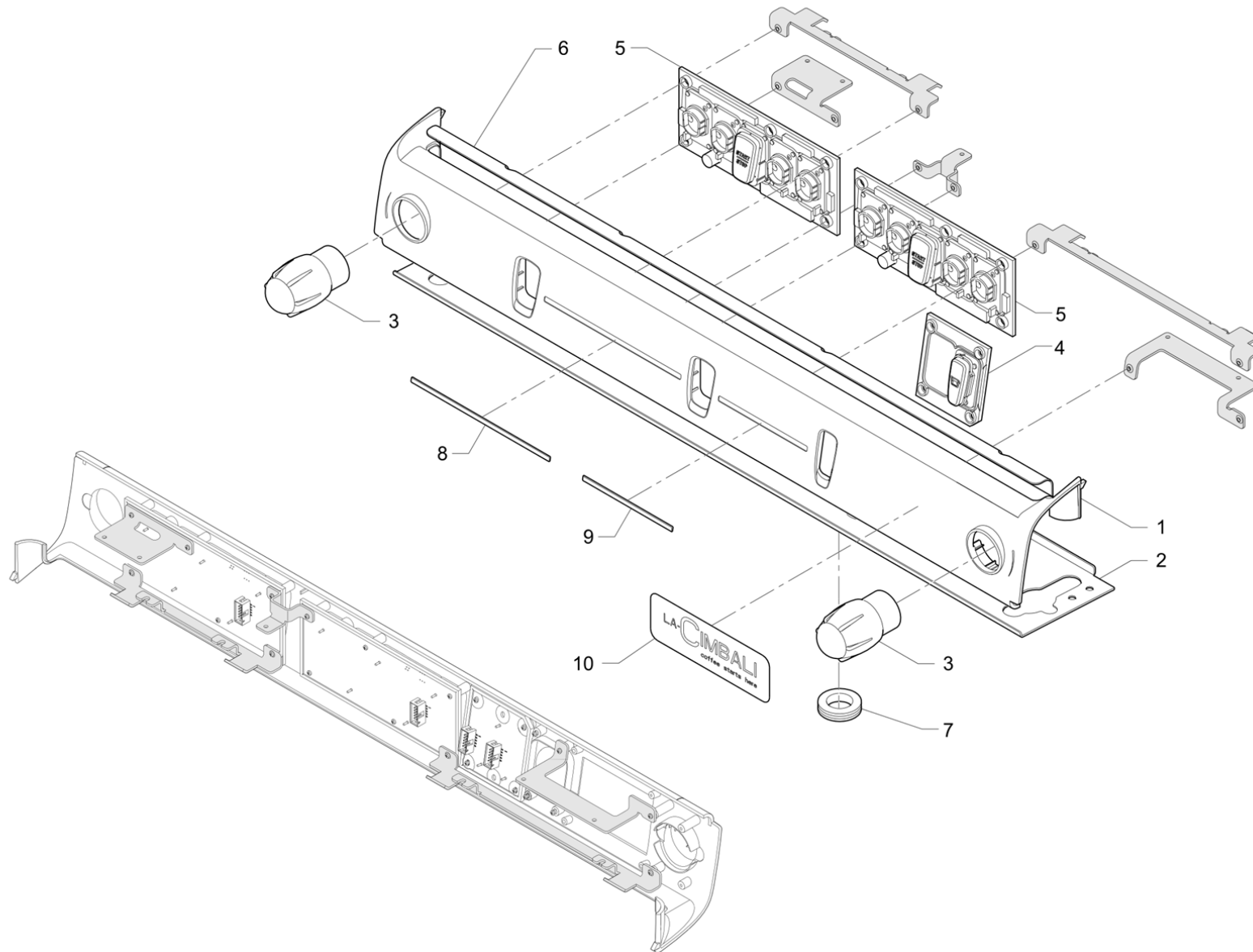


Pos	Part Number	Description	Validity	Notes
1	997080010	GRILLE FOR CUP-WARMER PLATE		
1	997176000	M26 2-GR UL CUP-WARMER GRILLE	N:NSF	
2	997071020	CUP-WARMER PLATE 2 GROUPS		
2	997100020	CUP-WARMER PLATE - 3 GROUPS		
2	997135010	1 GROUP CUPS WARMER PLATE		
3	997515000	2-GR CUP-WARMER PLATE WITH RESISTOR		
3	997550000	3-GR CUP-WARMER PLATE M26 WITH RESISTOR		
4	997102000	GRILLE FOR 3-GR CUP-WARMER PLATE M26		
5	997136010	1 GROUP CUP-WARMER GRILLE		
5	997182000	GRILLE FOR CUP-WARMER PLATE 1-GROUP	N:NSF	
6	997221000	M26 GRILLE FOR CUP-WARMER PLATE		
6	997224000	M26 2-GR UL CUP-WARMER GRILLE	N:NSF	
7	997171000	2 GR CUP-HEATER COUNTER M26 NSF	N:NSF	
7	997183000	3 GR CUP-HEATER COUNTER M26 NSF	N:NSF	
7	997181000	CUP-WARMER PLATE M26 1-GROUP	N:NSF	
8	997172000	M26 UL RH CUP-WARMERS CLOSURE	N:NSF	
9	997173000	M26 UL LH CUP-WARMERS CLOSURE	N:NSF	

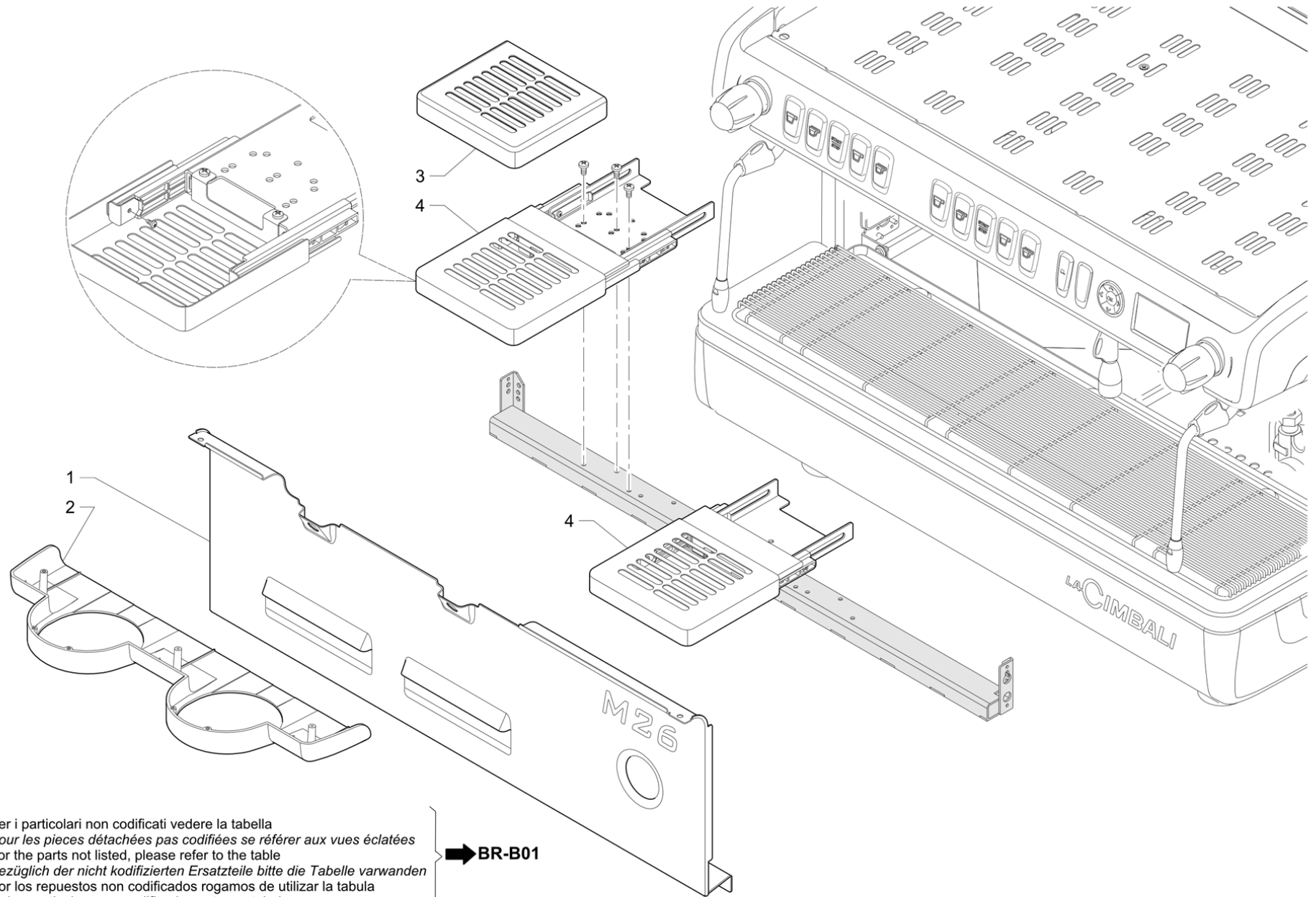


Pos	Part Number	Description	Validity	Notes
1	537059600	DISPLAY		
	⇒ 913902018	GRAPHIC DISPLAY		
2	970088000	TEOREMA DISPLAY GLASS		
3	535638018	DISPLAY M32 DT R WIRING		
4	997524000	COMMAND PANEL ASSEMBLY M26 2-GR A		
4	994505000	M26 2GR AUT UL COMMAND PANEL CONTROLS AS	N:UL	
4	997545000	COMMAND PANEL ASSEMBLY M26 3-GR A		
4	994509000	M26 3GR AUT UL COMMAND PANEL CONTROLS AS	N:UL	
5	997031010	2-GROUP SLUICE-VALVE BUFFER M26 LV		
5	997085000	LV 3-GR SLUICE-VALVE M26		
6	997510000	SERVICES AND PROGRAMMING BUTTON PANEL		
7	937926000	CHROME KNOB		
7	913729020	M39 STEAM TAP KNOB		
8	997509000	5-OPTION COFFEE BUTTON PANEL		
9	997051000	COMMAND PANEL PROTECTION M26 2-GR		
9	997086000	3-GR COMMAND PANEL PROTECTION M26		
10	997032000	2-GROUP SLUICE-VALVE BUFFER M26 HV	H:TC	
10	997084000	HV 3-GR SLUICE-VALVE M26	H:TC	
11	532178600	PVC FAIRLEAD		
12	997511020	TURBOSTEAM BUTTON PAD		
	⇒ 997511000	TURBOSTEAM BUTTON PAD		





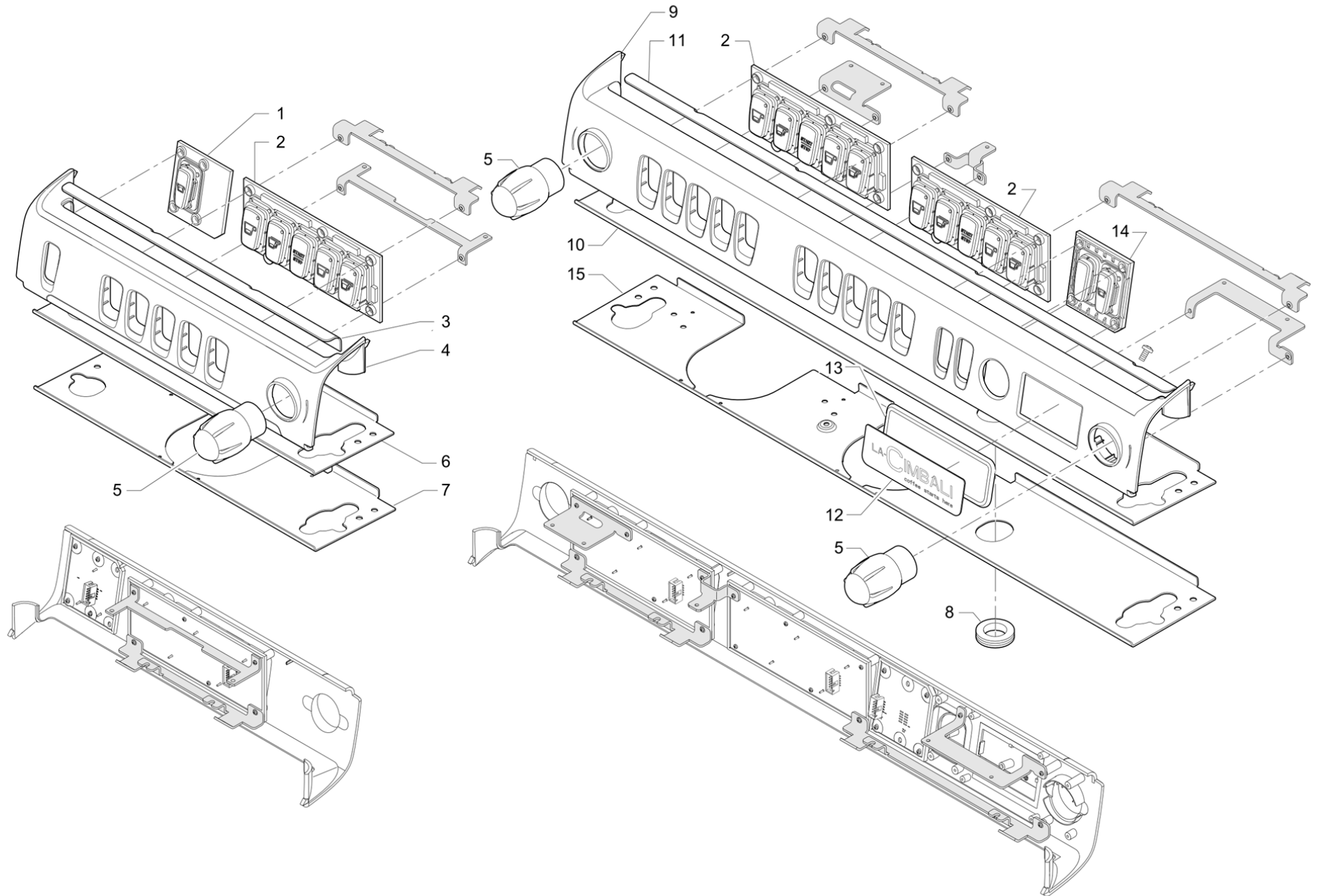
Pos	Part Number	Description	Validity	Notes
1	997544000	COMMAND PANEL ASSEMBLY M26 2-GR S		
	⇌ 997544010	COMMAND PANEL ASSEMBLY 2-GR		
1	997548000	COMMAND PANEL ASSEMBLY M26 3-GR		
	⇌ 997548010	COMMAND PANEL ASSEMBLY GR		
2	997031010	2-GROUP SLUICE-VALVE BUFFER M26 LV		
2	997085000	LV 3-GR SLUICE-VALVE M26		
3	913729020	M39 STEAM TAP KNOB		
4	997585000	SEMI-AUTOMATIC WATER BUTTON PANEL M26		
5	997584010	SEMI-AUTOMATIC COFFEE BUTTON PANEL		
	⇌ 997584000	SEMI-AUTOMATIC COFFEE BUTTON PANEL M26		
6	997051000	COMMAND PANEL PROTECTION M26 2-GR		
6	997086000	3-GR COMMAND PANEL PROTECTION M26		
7	532178600	PVC FAIRLEAD		
8	997270000	DECORATION		
9	997269000	DECORATION		
10	997271000	COMMAND PANEL LABEL		



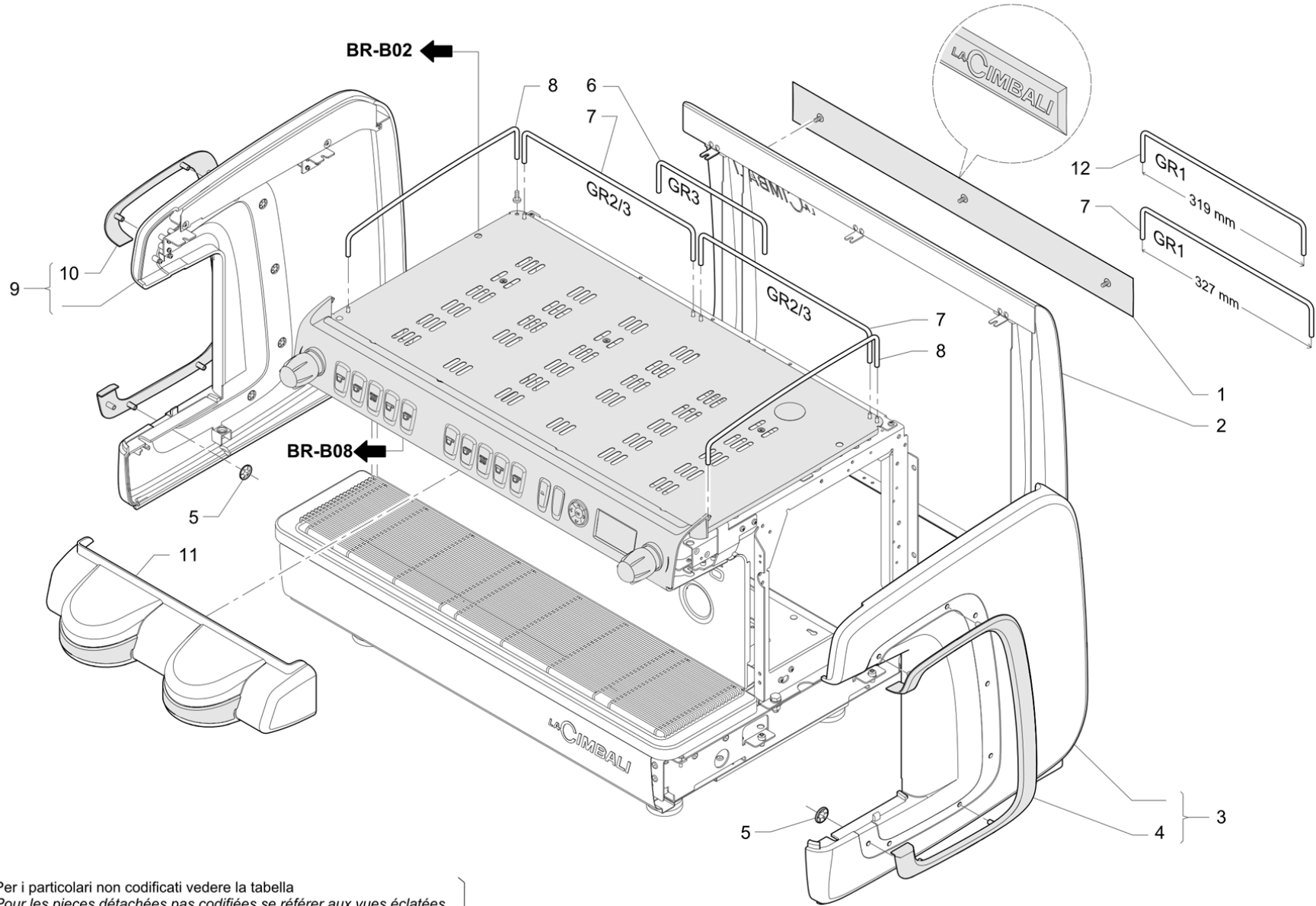
Per i particolari non codificati vedere la tabella  
 Pour les pièces détachées pas codifiées se référer aux vues éclatées  
 For the parts not listed, please refer to the table  
 Bezüglich der nicht kodifizierten Ersatzteile bitte die Tabelle verwenden  
 Por los repuestos no codificados rogamos de utilizar la tabula  
 Pelos particulares no codificados outar as tabela

➔ BR-B01

Pos	Part Number	Description	Validity	Notes
1	997024020	SLUICE-VALVE 2 GROUPS M26 HV		
1	997082010	3-GR SLUICE-VALVE M26 HV		
1	997129000	SLUICE-VALVE - 1 GROUP HV		
2	997528000	COFFEE GROUPS CASING M26 HV		
2	994500000	M26 HV UL COFFEE GR CASING	N:UL	
2	997547000	COFFEE GROUPS CASING M26 3-GR HV		
2	994510000	COFFEE GROUP CASING M26 3GR HV UL	N:UL	
2	997569000	COFFEE GROUP CASING ASSEMBLY 1 GRP HV		
2	994514000	COFFEE GROUP CASING M26 1GR HV UL	N:UL	
3	947537009	GRILLE ASSEMBLY WITH GUIDES		
4	947844010	COMPLETE GRILLE ASSEMBLY		



Pos	Part Number	Description	Validity	Notes
1	997586000	WATER BOARD		
2	997561000	5-OPTION COFFEE BUTTON PANEL		
3	997123000	COMMAND PANEL GUARD		
4	997567000	M26 1 GRP CONTROLS COMMAND PANEL ASSEMBL		
4	994513000	COMMAND PANEL CONTROLS M26 1GR AUT UL	N:UL	
5	913729020	M39 STEAM TAP KNOB		
6	997133000	SLUICE-VALVE BUFFER - 1 GROUP		
7	997131000	SLUICE-VALVE BUFFER - 1 GROUP HV		
8	532178600	PVC FAIRLEAD		
9	997524000	COMMAND PANEL ASSEMBLY M26 2-GR A		
9	994505000	M26 2GR AUT UL COMMAND PANEL CONTROLS AS	N:UL	
9	997545000	COMMAND PANEL ASSEMBLY M26 3-GR A		
9	994509000	M26 3GR AUT UL COMMAND PANEL CONTROLS AS	N:UL	
10	997031010	2-GROUP SLUICE-VALVE BUFFER M26 LV		
10	997085000	LV 3-GR SLUICE-VALVE M26		
11	997051000	COMMAND PANEL PROTECTION M26 2-GR		
11	997086000	3-GR COMMAND PANEL PROTECTION M26		
12	997218000	M26 COMMAND PANEL STICKER		
13	997223000	COMMAND PANEL BUFFER BE		
14	997660000	LOW WATER BUTTON PAD		
15	997032000	2-GROUP SLUICE-VALVE BUFFER M26 HV		
15	997084000	HV 3-GR SLUICE-VALVE M26		

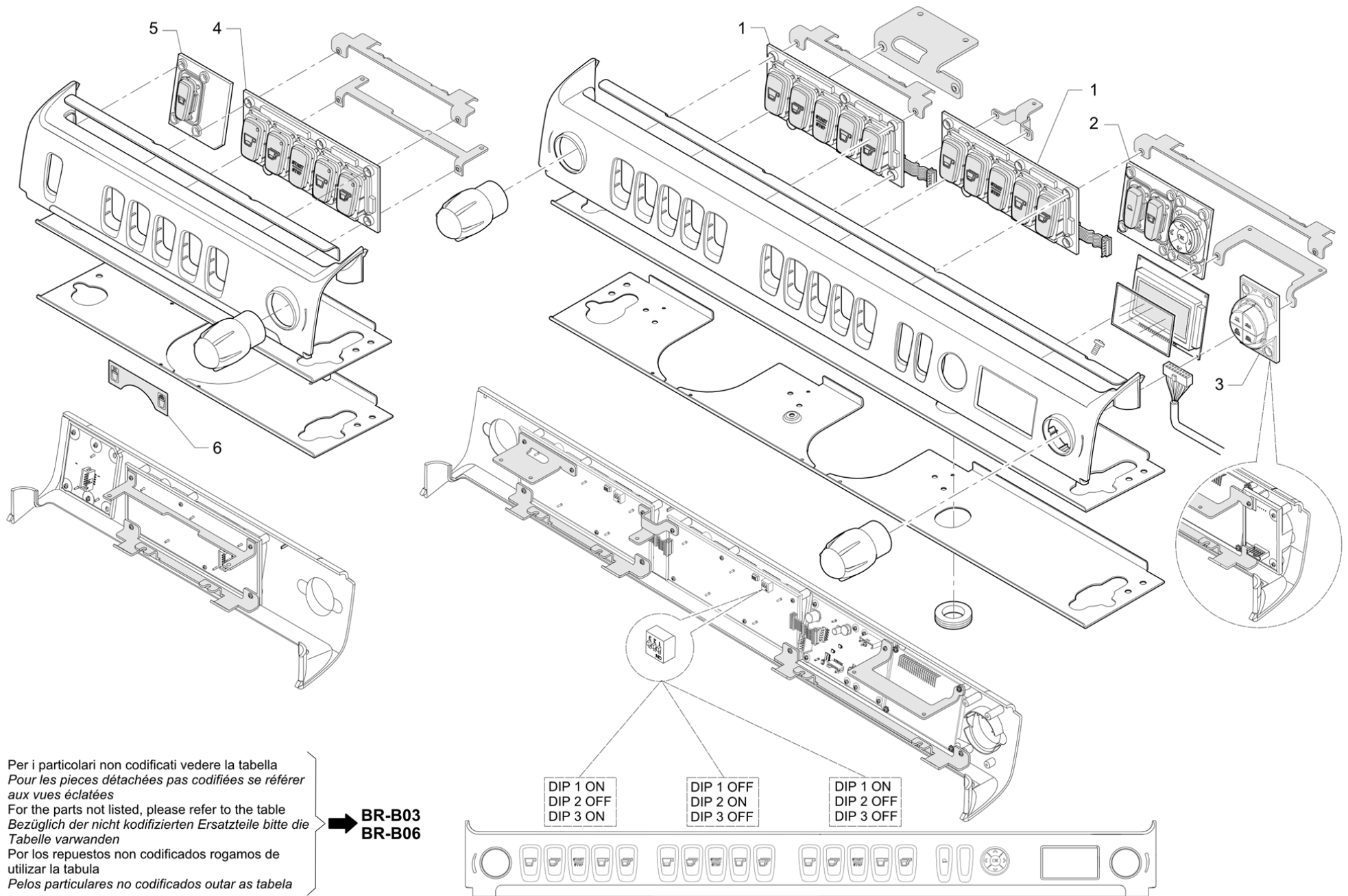


Per i particolari non codificati vedere la tabella  
 Pour les pièces détachées pas codifiées se référer aux vues éclatées  
 For the parts not listed, please refer to the table  
 Bezüglich der nicht kodifizierten Ersatzteile bitte die Tabelle verwenden  
 Por los repuestos no codificados rogamos de utilizar la tabla  
 Pelos particulares no codificados outar as tabela

BR-B01

Pos	Part Number	Description	Validity	Notes
1	997238004	2GR REAR PROFILE WITH LOGO		
1	997239004	3GR REAR PROFILE WITH LOGO		
1	997236004	1GR REAR PROFILE WITH LOGO		
2	997682004	REAR PANEL M26 2GR. NE		
2	997683004	REAR PANEL M26 3GR. NE		
2	997680004	REAR PANEL M26 1GR BLACK		
3	797702000	RIGHT SIDE TE		
	⇌ 994898000	COMPLETE RIGHT SIDE WITH EMBELLISHMENT T		
3	797705000	RIGHT SIDE TE UL	N:UL	
	⇌ 994936000	COMPLETE BLACK RIGHT SIDE WITH EMBELLISH	N:UL	
4	997231000	RIGHT SIDE EMBELLISHMENT		
5	532758300	SPRING FOR 6.5 DIAMETER PIN		
6	997220000	CUP-WARMER SIDE L=206 H=55		
7	956129000	CUP-HEATER SIDE PANEL YP1(L=327.5)		
8	997208000	CUP-WARMER SIDE (L=327.5 X R=200)		
9	797703000	LEFT SIDE TE		
	⇌ 994899000	COMPLETE LEFT SIDE WITH EMBELLISHMENT TE		
9	797704000	LEFT SIDE TE UL	N:UL	
	⇌ 994933000	COMPLETE BLACK LH SIDE WITH EMBELLISHMEN	N:UL	
10	997232000	LEFT SIDE EMBELLISHMENT		
11	997678000	GROUP CASING M26 2GRP WITH EMBELLISHMENT		
11	997684000	GROUP CASING M26 3GR WITH EMBELLISHMENT		
11	997679000	GROUP CASING M26 1GR WITH EMBELLISHMENT		
12	997226000	CUP-WARMER SIDE L=319 H=55	N:NSF	

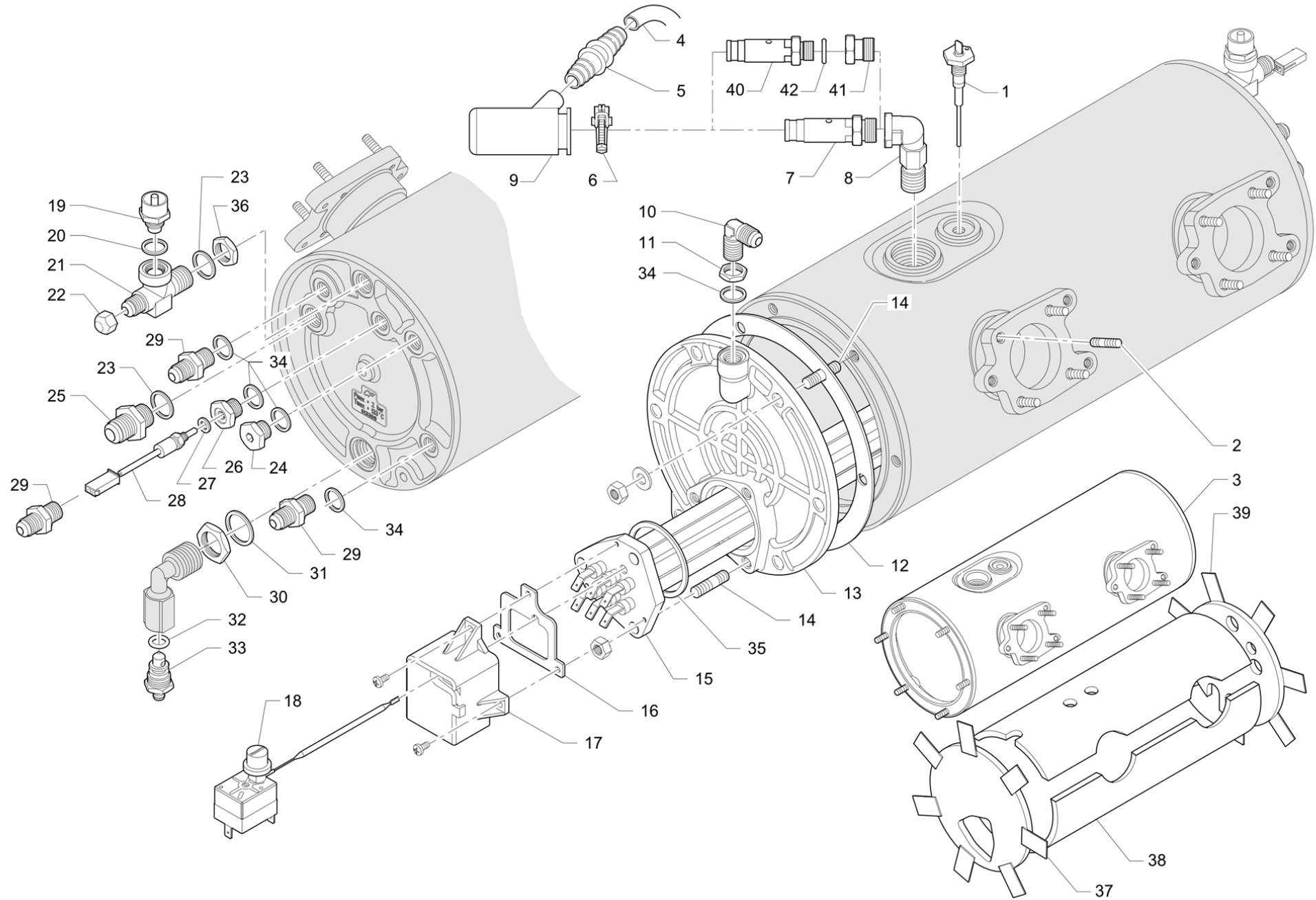




Per i particolari non codificati vedere la tabella  
 Pour les pièces détachées pas codifiées se référer  
 aux vues éclatées  
 For the parts not listed, please refer to the table  
 Bezüglich der nicht kodifizierten Ersatzteile bitte die  
 Tabelle verwenden  
 Por los repuestos no codificados rogamos de  
 utilizar la tabula  
 Pelos particulares no codificados outar as tabela

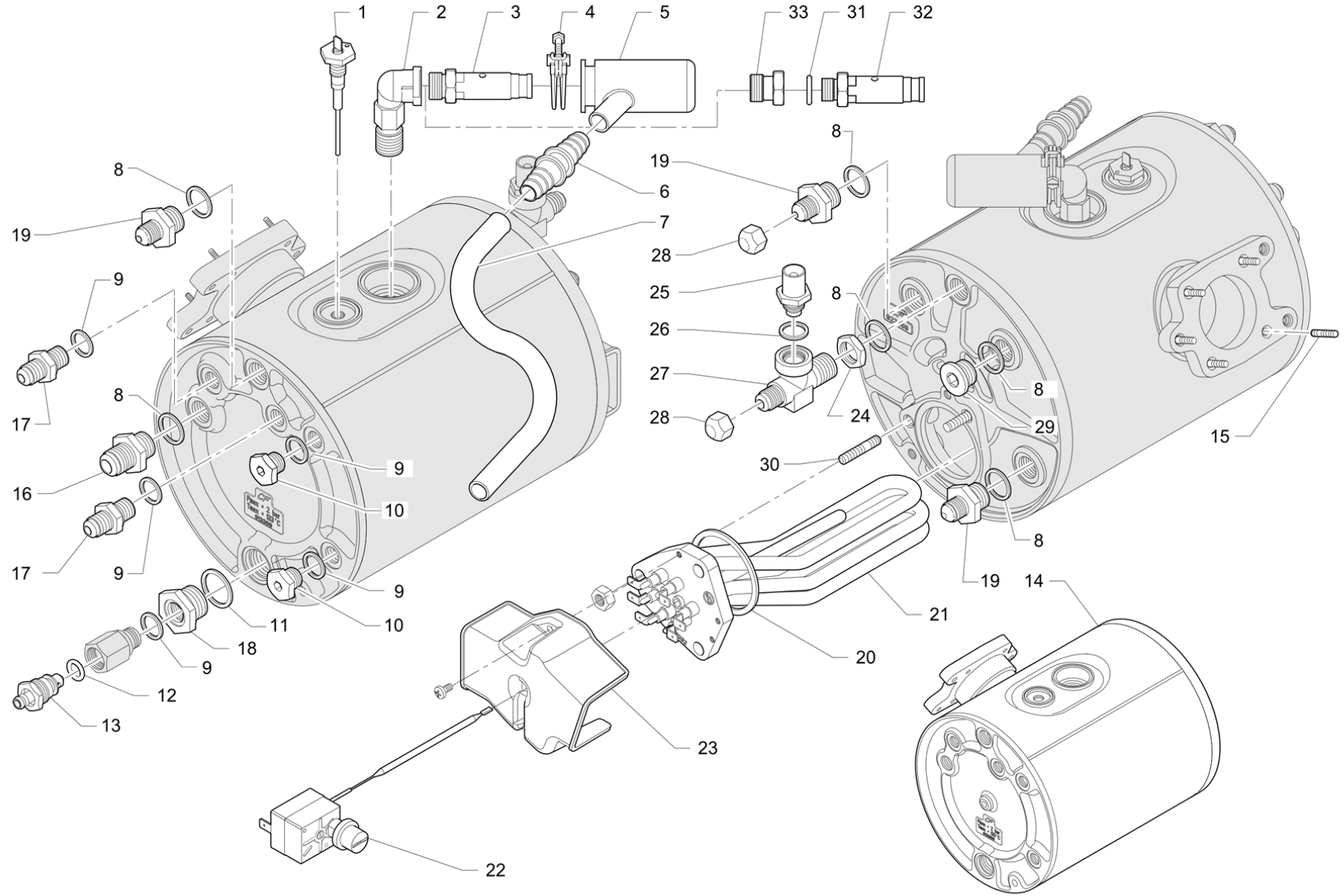
➔ **BR-B03**  
**BR-B06**

Pos	Part Number	Description	Validity	Notes
1	997509004	5-OPTION COFFEE BUTTON PAD TE		
2	997510004	SERVICES AND PROGRAMMING BUTTON PAD TE		
3	997633000	4-OPTION TURBOSTEAM BUTTON PAD		
4	997561004	LOW RANGE 5-OPTION COFFEE BUTTON PAD TE		
5	997586014	WATER CARD 1 GR TE		
	⇌ 997586004	WATER BOARD M26 1-GROUP TE		
6	997273000	TURBOSTEAM PLATE - SILVER		

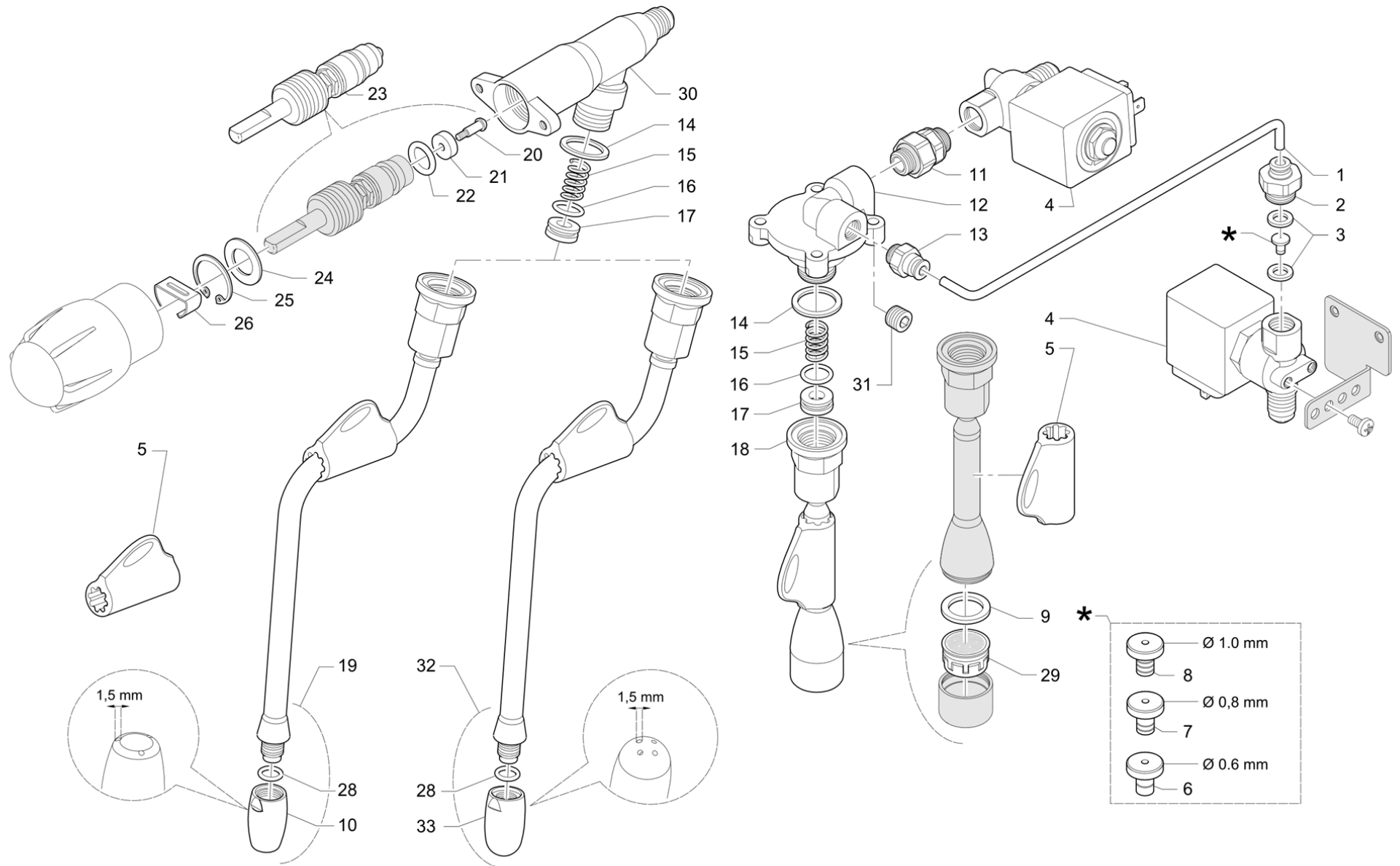


Pos	Part Number	Description	Validity	Notes
1	913786010	LEVEL PROBE L=89MM		
2	503306200	M6X20 BOLD		
3	926814000	BOILER G2 NEW		
3	926815000	BOILER G3 NEW		
4	220000017	SILICONE PIPE D 10X15		
5	532601000	HOSE ADAPTOR		
6	532746200	CABLE TIE-RAPS WITH SCREW		
7	532392600	SAFETY VALVE 1,9 bar 3/8G		
8	492298018	ELBOW FITTING VALVE 3/8F -3/8M RUVECO		
9	966492000	SAFETY VALVE PROTECTION		
10	952107008	TAPPED UNION ELBOW 1/4"G x 1/4"G RUV		
11	590128010	COUNTER NUT 1/4		
12	401331010	GASKET COVER BOILER		
13	422303008	BOILER COVER		
13	457404008F	NSF LH BOILER COVER	N:NSF	
14	503308200	M8X20 BOLD		
15	476513030	220-240V 3750-4500W HEATING ELEMENT		
15	476513038	220-240V 3750-4500W HEATING ELEMENT NF	N:NSF	
15	477512030	220-240V 5790-7020W HEATING ELEMENT		
15	477512038	220-240V 5790-7020W HEATING ELEMENT NF	N:NSF	
15	944044000	220V 2100W RESISTANCE		
16	401286010	GASKET PROTECTION HEATINGELEMENT		
17	496168030	RESISTOR PROTECTION		
18	531194720	SFTY. THERMOSTAT		
19	418941010	ANTI-UNDERTOW VALVE ASS.		
20	401250010	GASKET § 17,9X14,2X1,5		
21	937057008	COUPLING 3/8" - 1/4"- 1/4" ENVELOPE W/RU		
22	593059020	PLUG NUT 1/4"		
23	401215000	COPPER GASKET		
24	594537010	BLIND NIPPLE 1/4 GAS ST. STEEL		
25	913160008	NIPPLE 3/8 X 3/8		
26	960006010	SENSOR NIPPLE 1/4 GAS X M.6		
27	401235020	GASKET 11X6,5X1,5		
28	531194810	COFFEE BOILER PROBE		
29	913159008	NIPPLE 1/4 X 1/4		
30	591141000	COUNTER NUT 1/2 GAS		
31	401216000	COPPER GASKET		
32	402220000	O-RING 9,13X2,62		
33	419077010	DRAIN TAP DISC		
34	401214000	GASKET		
35	401194010	GASKET BOILER FLANGE		
35	402328000F	RESISTOR FLANGE GASKET	M:JP	
36	590127020	COUNTER NUT 3/8		

Pos	Part Number	Description	Validity	Notes
37	920446000	DEADENER		
38	920443000	DEADENER BOILER 2 GR		
38	920445000	DEADENER BOILER 3 GR		
39	920444000	DEADENER		
40	532392700	SAFETY VALVE 2,3 1/4G	N:UL	
41	537051500	SECURITY VALVE JOINY WITH GAKET	N:UL	
42	402302000	GASKET 17X13,2X1X5	N:UL	

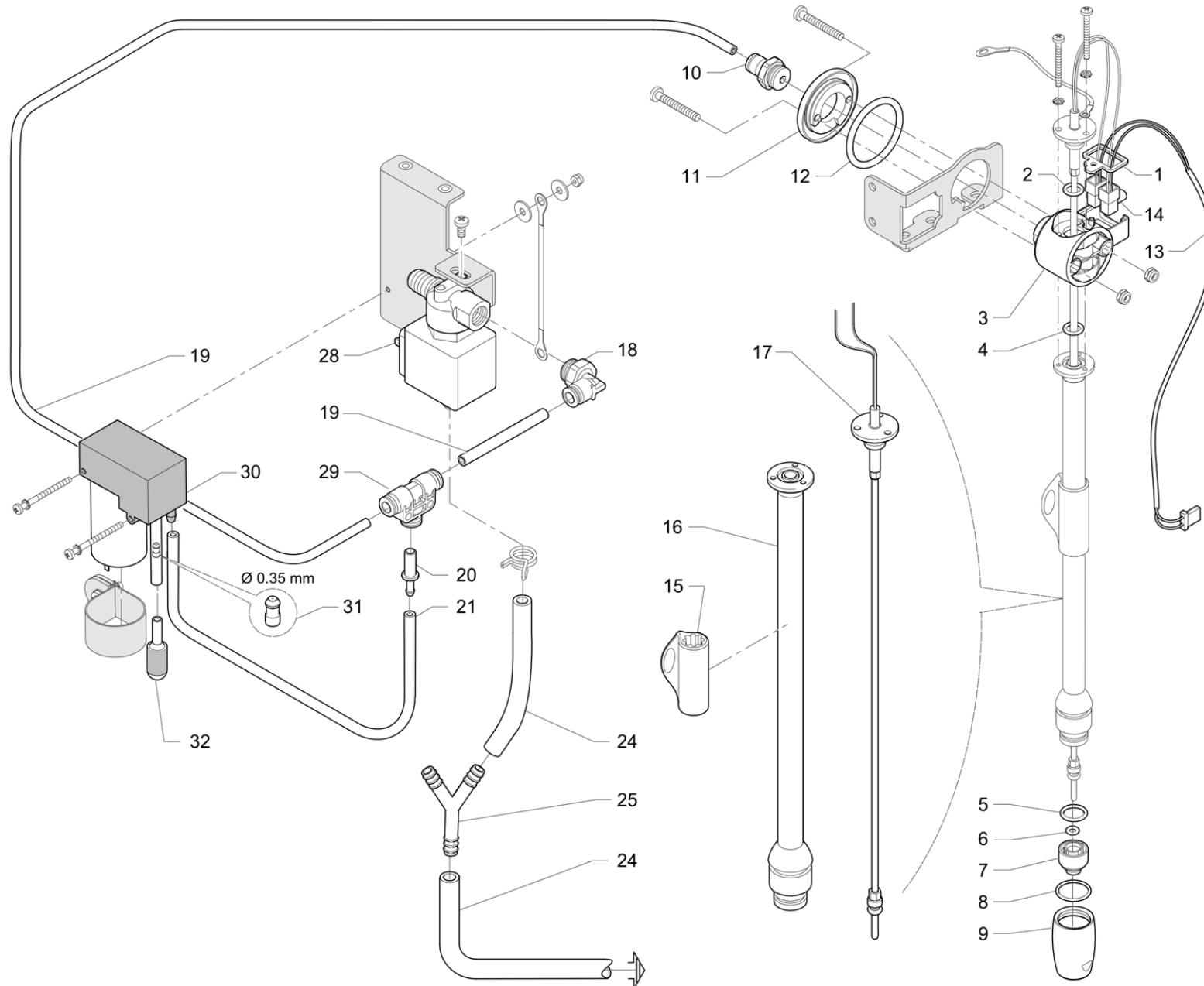


Pos	Part Number	Description	Validity	Notes
1	913786010	LEVEL PROBE L=89MM		
2	492298018	ELBOW FITTING VALVE 3/8F -3/8M RUVECO		
3	532392600	SAFETY VALVE 1,9 bar 3/8G		
4	532746200	CABLE TIE-RAPS WITH SCREW		
5	966492000	SAFETY VALVE PROTECTION		
6	532601000	HOSE ADAPTOR		
7	220000017	SILICONE PIPE D 10X15		
8	401215000	COPPER GASKET		
9	401214000	GASKET		
10	594537010	BLIND NIPPLE 1/4 GAS ST. STEEL		
11	401216000	COPPER GASKET		
12	402220000	O-RING 9,13X2,62		
13	419077010	DRAIN TAP DISC		
14	997580008F	M26 1 GROUP RUVECATA BOILER		
15	503306200	M6X20 BOLD		
16	913160008	NIPPLE 3/8 X 3/8		
17	913159008	NIPPLE 1/4 X 1/4		
18	923027008	NIPPLE 1/4 X 1/2		
19	923067008	NIPPLE 1/4X3/8		
20	401194010	GASKET BOILER FLANGE		
20	402328000F	RESISTOR FLANGE GASKET	M:JP	
21	923522020	HEATING ELEMENT 2700 W 220V		
21	923522028	RESISTOR 220V 2700W L=202 NSF WITH RUVEC	M:JP	
21	923553018	HEATING ELEMENT 120V/1500W NF	N:NSF	
22	531194720	SFTY. THERMOSTAT		
23	958202000	PROTECTION HEATING ELEMENT		
24	590127020	COUNTER NUT 3/8		
25	418941010	ANTI-UNDERTOW VALVE ASS.		
26	401250010	GASKET § 17,9X14,2X1,5		
27	937057008	COUPLING 3/8" - 1/4"- 1/4" ENVELOPE W/RU		
28	593059020	PLUG NUT 1/4"		
29	457347010	3/8 GAS EXAGONAL INOX CAP		
30	503308200	M8X20 BOLD		
31	402302000	GASKET 17X13,2X1X5		
32	532392700	SAFETY VALVE 2,3 1/4G	M:US	
33	537051500	SECURITY VALVE JOINY WITH GAKET		

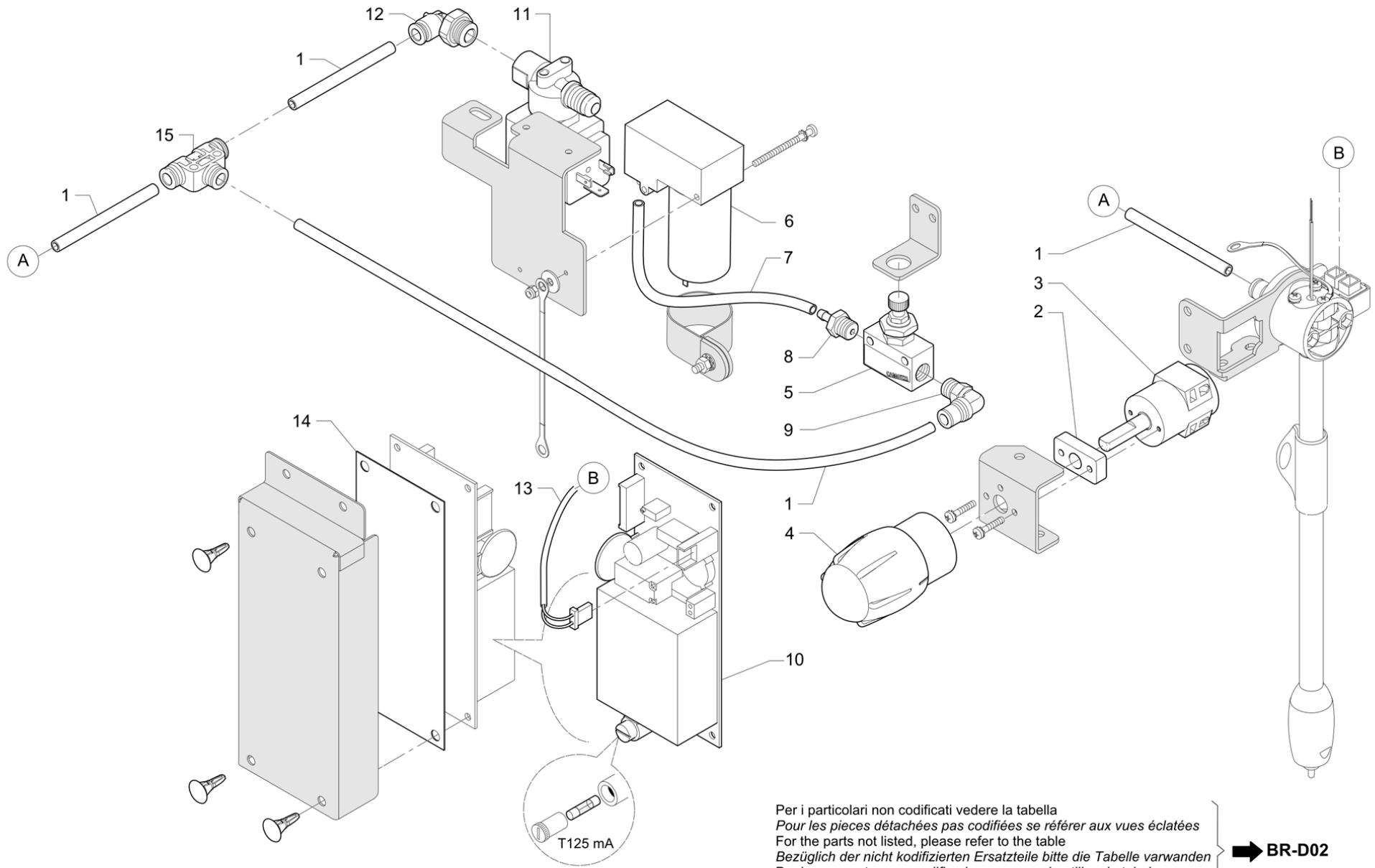




Pos	Part Number	Description	Validity	Notes
1	220000021	TEFLON TUBE D 2,5X4		
2	532661700F	STRAIGHT COUPLING 1/4G M X DIAM.4		
3	401235020	GASKET 11X6,5X1,5		
4	533903000F	SOLENOID VALVE 1/4 M/F FKM		
4	533903400F	SOLENOID VALVE 2/2	N:UL	
5	927132010	MANIFOLD		
6	920041000	NOZZLE § 0,6MM NF		
7	920042000	NOZZLE § 0,8MM INOX		
8	931211000	NOZZLE OF 1MM INOX		
9	402320000F	21X15X2 NSF SEAL		
10	913438000	STEAM NOZZLE		
11	532660500F	CONNECTOR 1/4		
12	997023008F	WATER MIXER BODY		
13	532659800F	STRAIGHT CONN. 1/8M D.4F		
14	401183010	GASKET 22X17X1,5 INLET VALVE		
15	485061010	STAIN LESS STEEL SPRING		
16	402209000	O-RING GASKET 10,82X1,78 NF		
17	485078010	GASKET		
18	920739040F	JET BREAKER		
19	978732000F	STEAM TUBE ASSEMBLY WITH BULBS 3 HOLES 1		
20	590791010	SCREW		
21	402321000F	TAP SEAL		
22	402219000	O-RING 10,78X2,62 NF		
23	956855000F	ROD ASSY WITH SEAT FOR SEAL		
24	590715000	WASHER 22,15 X 1,2		
25	568101000	RING SEEGER		
26	485154000	CLIP		
28	402223000	O-RING 7,65X1,78 TS PROBE		
29	532305000	FILTER		
30	958572020F	TAP BODY		
30	457573010F	NSF STEAM TAP BODY ASSEMBLY	N:NSF	
31	532501300R	SCREW SO-40371-1/8		
32	997690000F	STEAM TUBE TIP WITH 4 HOLES 1.5	M:US	
33	4151135190	1,5 MM STEAM NOZZLE	M:US	



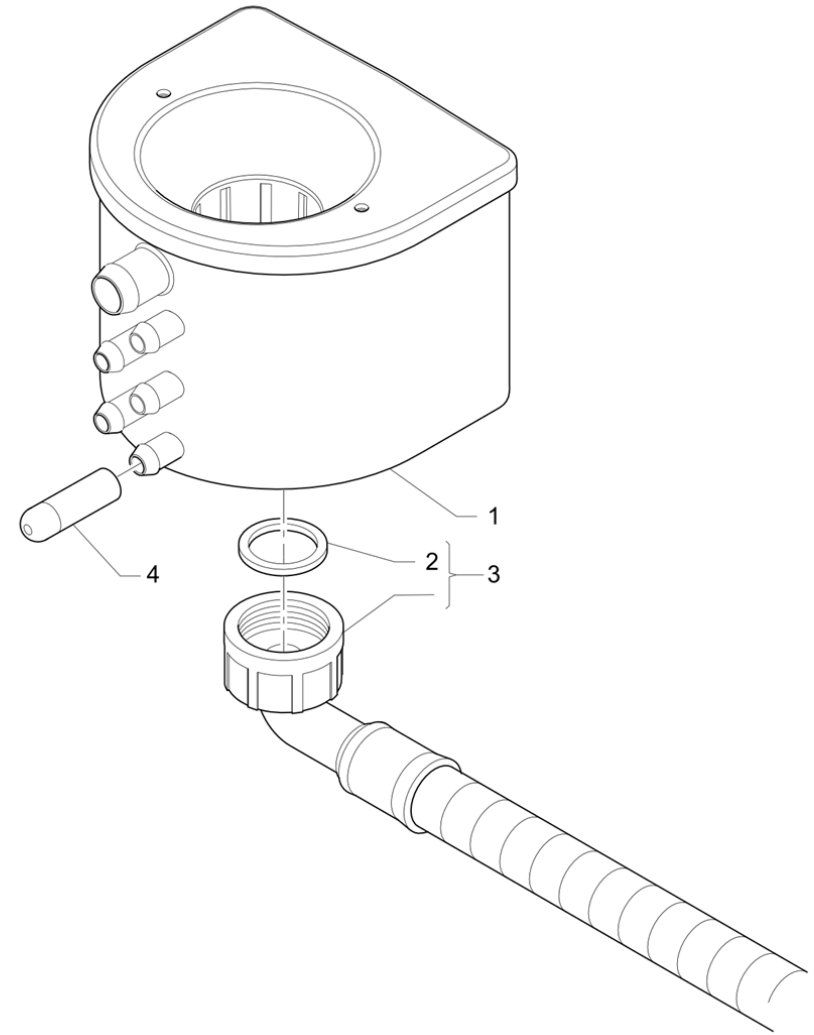
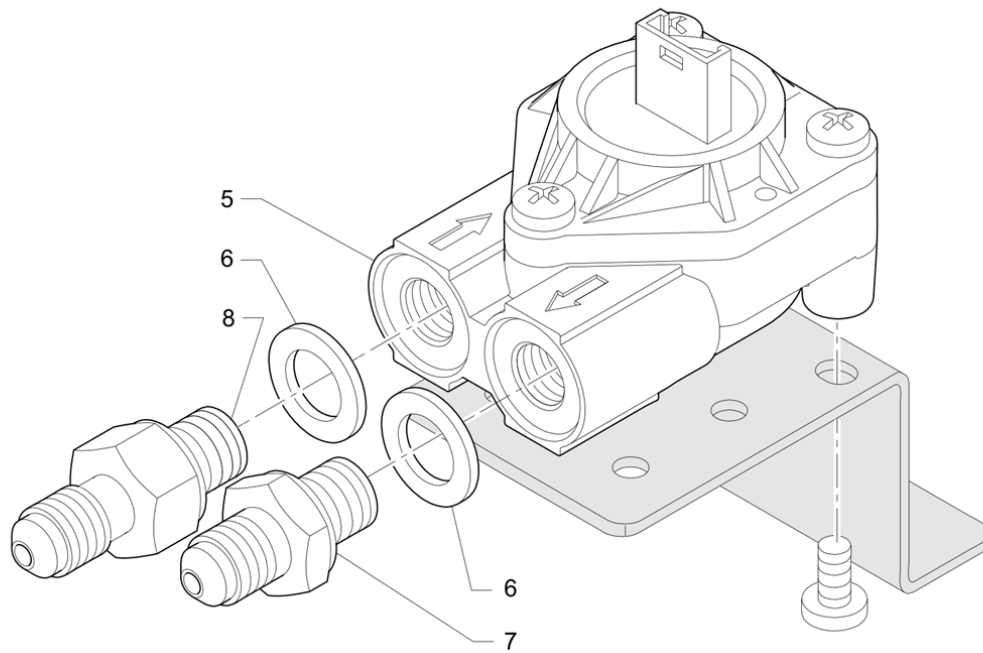
Pos	Part Number	Description	Validity	Notes
1	485291000	CLAMP		
2	402223000	O-RING 7,65X1,78 TS PROBE		
3	485296030	UPGRADE JOINT		
4	402195000	O-RING 9,25X1,78 NF		
5	402287000	OR 11.1X1,78 VITON P018 PROBE TS		
6	402250000	GASKET 3,68 X 1,78 INTERMEDIATE TS		
7	485290030	TS DIFFUSOR 1MM		
8	402289000	OR 16 X 1.5 TS BULB		
9	485288010	TS STEEL BULB		
10	532653000	FAST UNION		
11	485289000	ROLLER		
12	402186010	OR 34.52X3.53 PLATIN. GASKET		
13	911869000	ELECTRICAL CABLE AUTOSTEAM		
14	532149500	TERMINAL		
15	927132010	MANIFOLD		
16	485628020	UPGRADE LONG TS PIPE		
17	485626010F	LONG THERMOCOUPLE ASSEMBLY		
18	532660200F	ELBOW JOINT 1/4 M D.6 F ADJUST.		
19	220000022	RISLAN PIPE 4X6		
20	934316000	§6 FAST UNION FOR PIPE 3X6		
21	220000013	SILICONE PIPE D 3X6		
24	220000016	SILICONE PIPE D 6X10		
25	532302720	Y-UNION		
28	533903200F	SOLENOID VALVE 3/2 3mm 1/4 M/F		
28	533903600F	SOLENOID VALVE 3/2	N:UL	
29	532659500F	T CONNECTOR D.6		
30	949732000	COMPRESSOR W/NOZZLE AND FILTER		
31	956136010	COMPRESSOR NOZZLE DIAM. 0.35		
32	534600300	SILENCER		



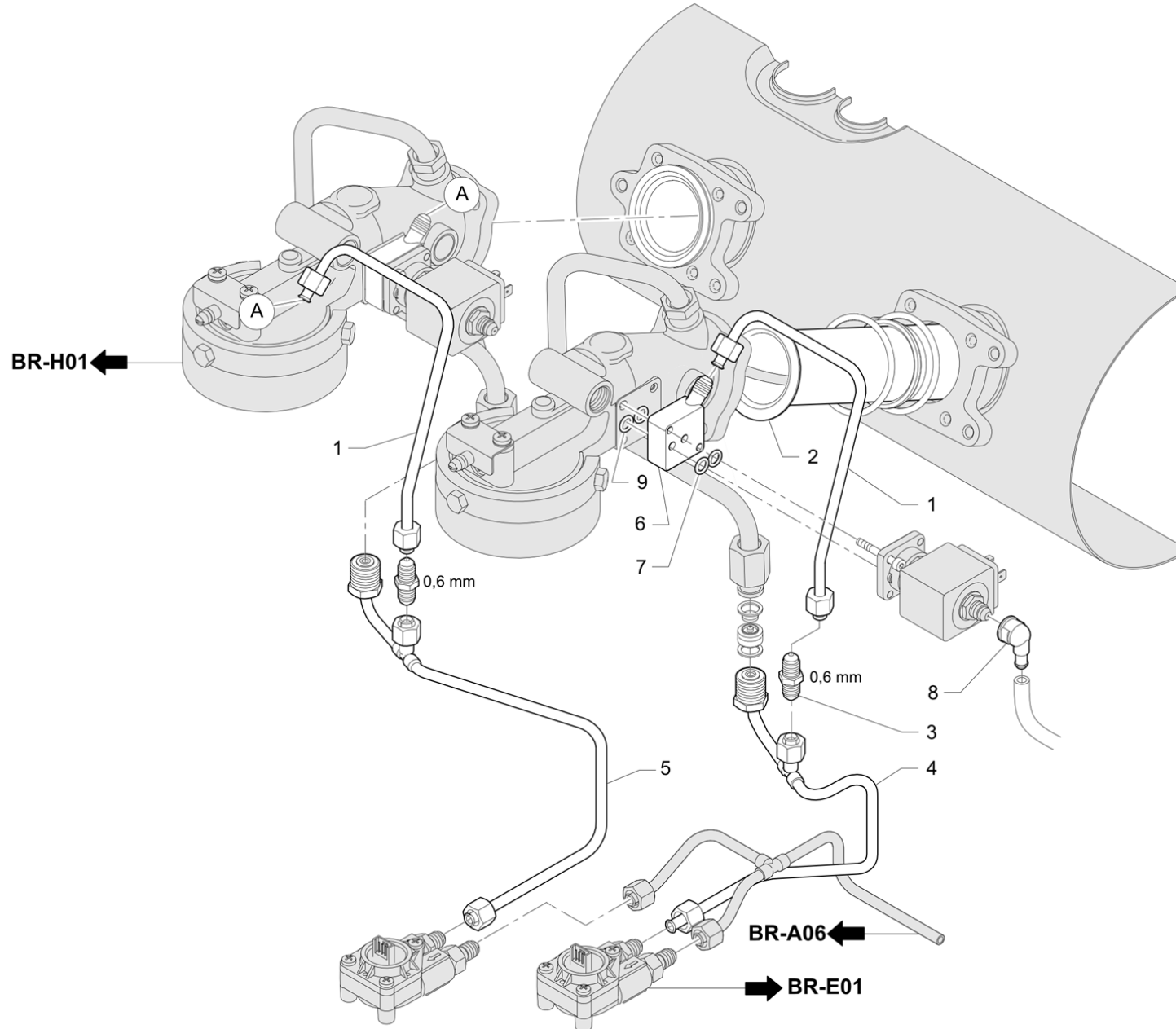
Per i particolari non codificati vedere la tabella  
 Pour les pieces détachées pas codifiées se référer aux vues éclatées  
 For the parts not listed, please refer to the table  
 Bezüglich der nicht kodifizierten Ersatzteile bitte die Tabelle verwenden  
 Por los repuestos non codificados rogamos de utilizar la tabula  
 Pelos particulares no codificados outar as tabela

➔ BR-D02

Pos	Part Number	Description	Validity	Notes
1	220000022	RISLAN PIPE 4X6		
2	997275000	PIN GUIDE BLOCK TS		
3	447615010	DOUBLE CONTACT SWITCH		
4	913729020	M39 STEAM TAP KNOB		
5	533590700	AIR VALVE		
6	938897000	24 "TURBOSTEAM" COMPRESSOR		
7	220000013	SILICONE PIPE D 3X6		
8	532503800	1/8 GAS UNION		
9	532651800	FAST UNION D.6		
10	537060300	AUTOSTEAM BOARD SPARE PARTS KIT		
10	997250000	PCB FOR AUTOSTEAM 115 V AC	N:UL	
11	533903200F	SOLENOID VALVE 3/2 3mm 1/4 M/F		
11	533903600F	SOLENOID VALVE 3/2	N:UL	
12	532660200F	ELBOW JOINT 1/4 M D.6 F ADJUST.		
13	997645000	SHIELDED CABLE L= 850		
14	911306000	ADHESIVE INSULATING 152X62		
15	532659500F	T CONNECTOR D.6		

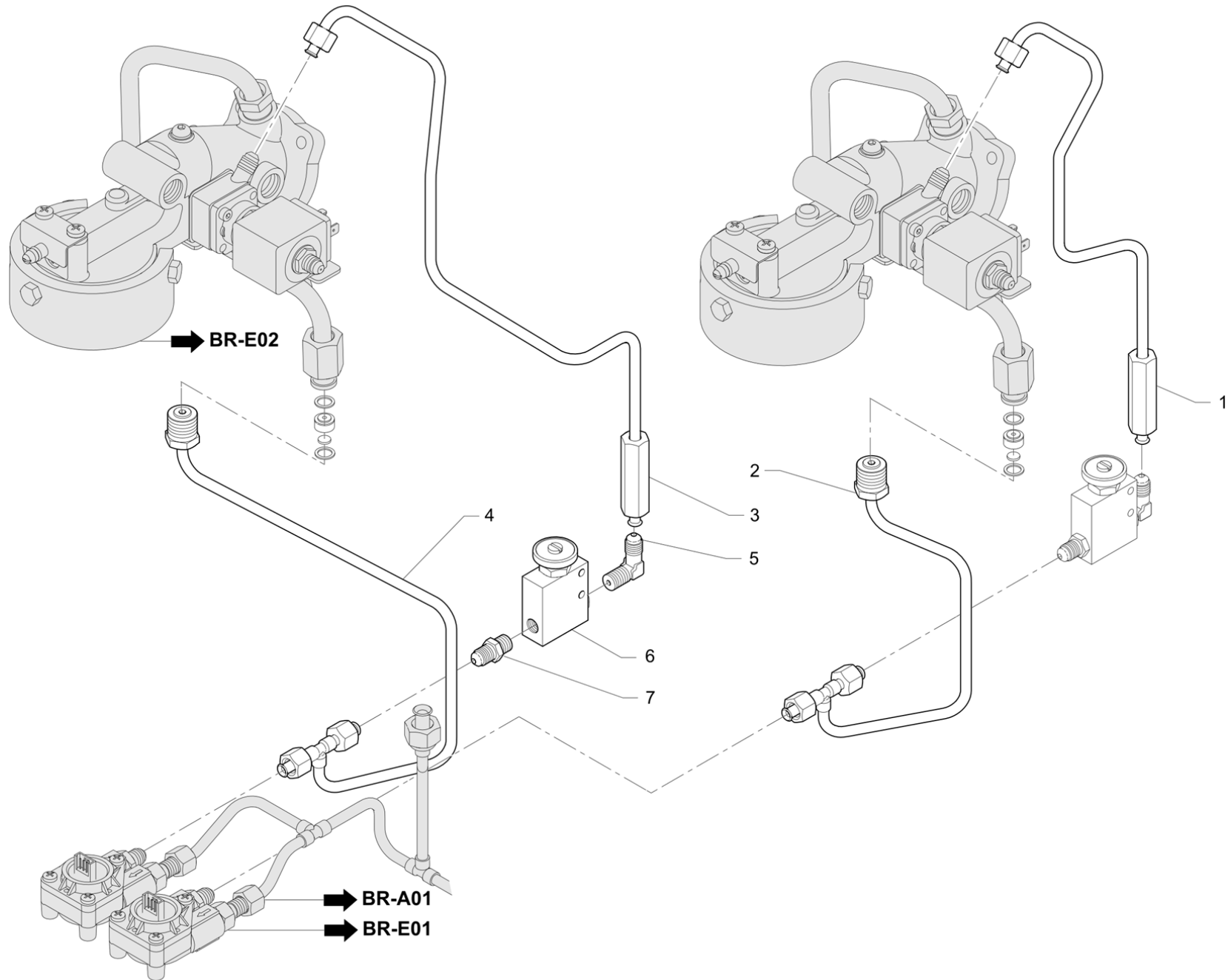


Pos	Part Number	Description	Validity	Notes
1	959775020	DRAIN BASIN ASS. WITH 5 INPUTS		
2	532600600	GASKET		
3	532390600	DRAIN PIPE		
4	532740610	CAP		
5	534393400F	VOLUMETRIC COUNTER		
6	402329000F	COPPER GASKET 16 X 10 X 1.5		
7	958366000F	NIPPLE 1/8 X 1/8		
8	958365000F	NIPPLE 1/8 X 1/8" H=10.		

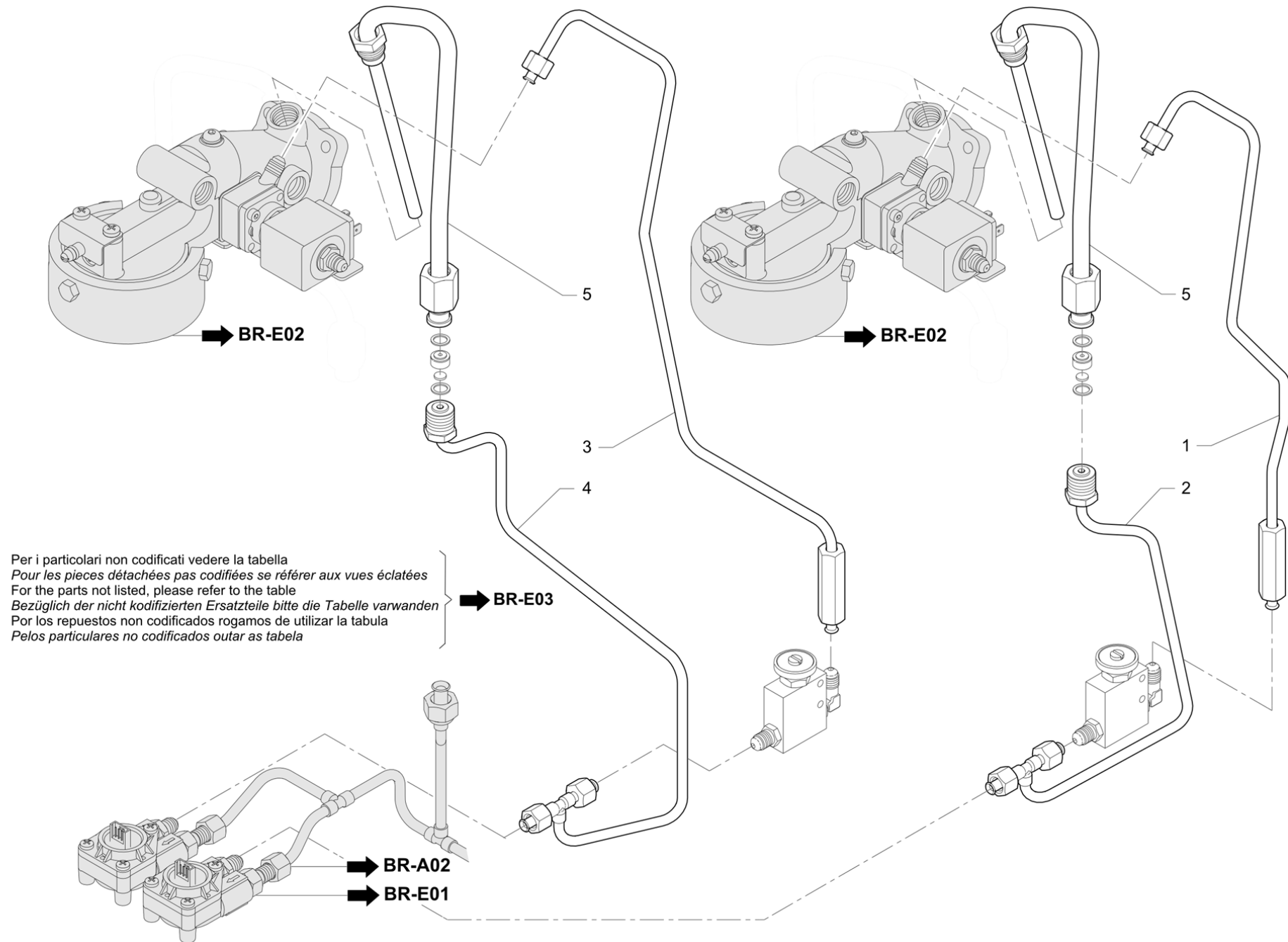




Pos	Part Number	Description	Validity	Notes
1	997562010F	TUBE FOR FIXED THERMODRIVE NOZZLE		
2	457207002	HEAT EXCHANGER		
2	457207005	HEAT EXCHANGER NSF-USA-JPNmm21	N:NSF	
3	952167000	NOZZLE 1/8X1/8		
4	997564000F	RIGHT RAMP FOR THERMODRIVE		
5	997563000F	LEFT RAMP FOR THERMODRIVE		
6	920619048	SOLENOID VALVE BLOCK		
7	530501200	OR 2025		
8	448138018	UNION 1/8 F		
9	402262000	GASKET 6,07 X 1,78		

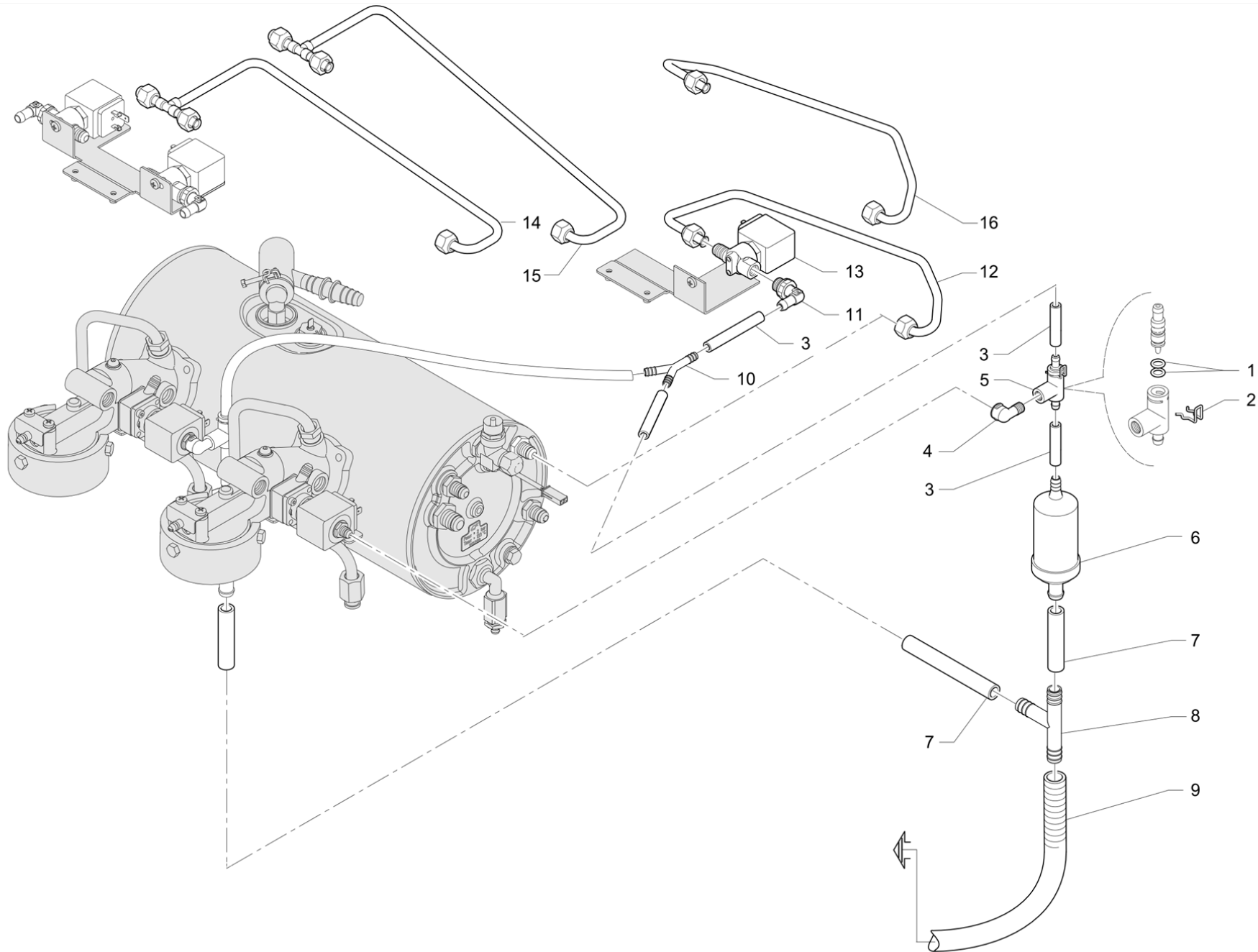


Pos	Part Number	Description	Validity	Notes
1	997637000F	RIGHT THERMODRIVE TUBE M26 LV		
2	937544020F	FAN TUBE TD - GROUP 1		
2	937544028F	FAN TUBE TD NSF - GROUP 1	N:NSF	
3	997638000F	LEFT TD TUBE M26 LV		
4	937541010	FAN TUBE - GROUP 2 M39		
4	937541018	NSF M39 DT2 FAN TUBE	N:NSF	
5	952108008	KNEE 1/8 1/8 RUV		
6	920658010	WATER REGULATING VALVE		
7	958086008	NIPPLE 1/8 X 1/8		

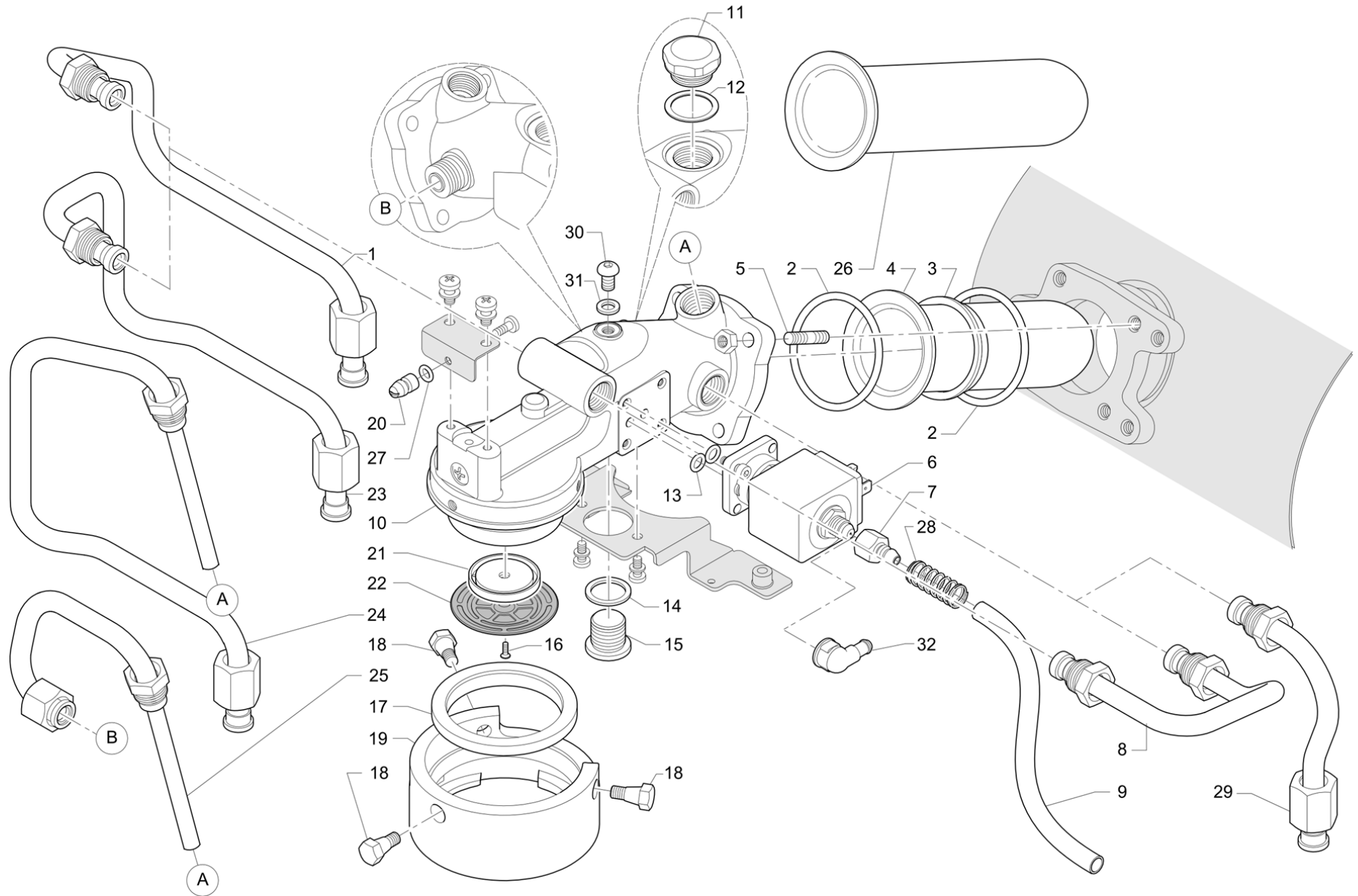


Per i particolari non codificati vedere la tabella  
 Pour les pièces détachées pas codifiées se référer aux vues éclatées  
 For the parts not listed, please refer to the table  
 Bezüglich der nicht kodifizierten Ersatzteile bitte die Tabelle verwenden  
 Por los repuestos no codificados rogamos de utilizar la tabula  
 Pelos particulares no codificados outar as tabela

Pos	Part Number	Description	Validity	Notes
1	997641000F	RIGHT THERMODRIVE TUBE M26 HV		
2	997639000F	FAN TUBE TD M26 - GROUP 1, HV		
2	997639008F	FAN TUBE TD M26 NSF - GROUP 1, HV	N:NSF	
3	997642000F	LEFT TD TUBE M26 HV		
4	997640000F	FAN TUBE TD M26 - GROUP 2, HV		
4	997640008F	FAN TUBE TD M26 NSF - GROUP 2, HV	N:NSF	
5	997556020F	CARTRIDGE FILLING TUBE M26 HV		
5	997556008F	CARTRIDGE FILLING TUBE M26 HV NSF	N:NSF	



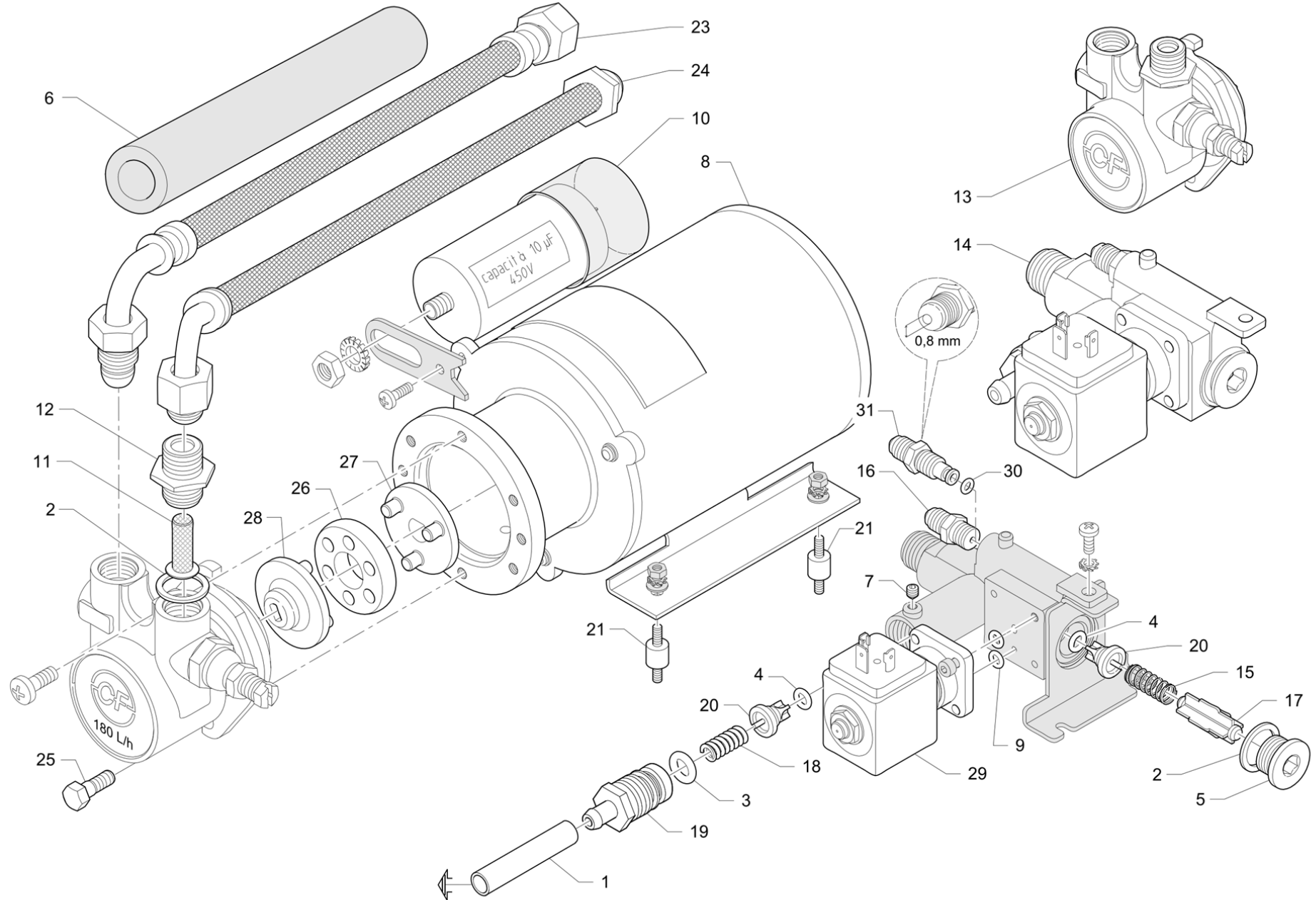
Pos	Part Number	Description	Validity	Notes
1	401371000	GASKET 6,75 X 1,78		
2	485147000	SPRING		
3	220000016	SILICONE PIPE D 6X10		
4	532501600R	FITTING 1/8 F		
5	435784030	EDS CUERPO CIGLEUR		
6	435567020	SILENCER WITH COVER		
7	220000017	SILICONE PIPE D 10X15		
8	4831132541	UNION TEE		
9	489075010	FLEXIBLE DRAIN TUBE		
10	532302720	Y-UNION		
11	532661100F	ADJUSTABLE 1/4 RUBBER HOLDER ELBOW CONNE		
12	997535000F	EDS TUBE M26 2-GROUP HV	H:TC	
13	533903100F	SOLENOID VALVE 2/2 5mm 1/4 M/F		
14	997565000F	TUBE FOR EDS M26 3-GROUP	H:TC	
15	997552000F	TUBE FOR EDS M26 3-GROUP		
16	997534000F	EDS TUBE M26 2-GROUP LV		



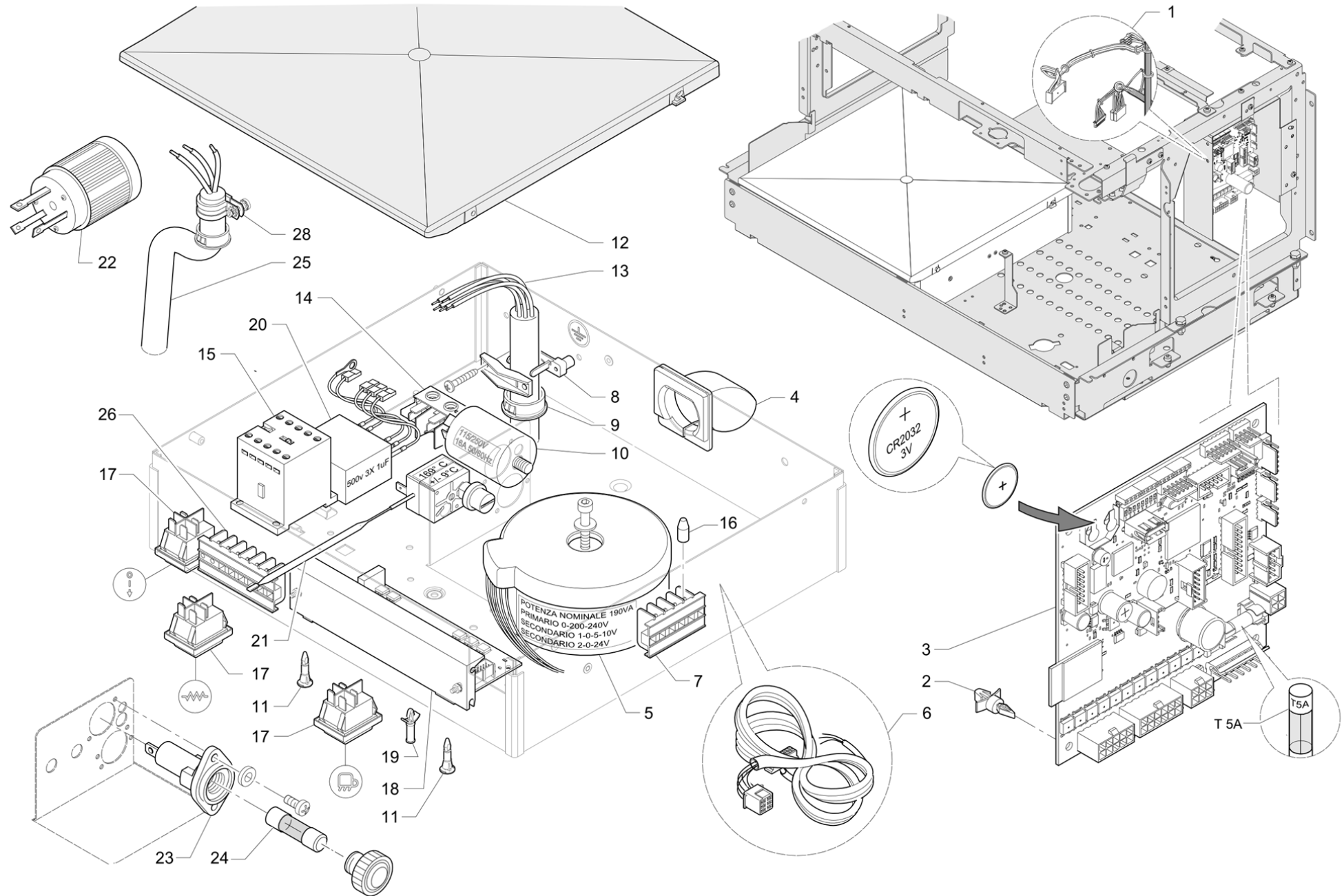


Pos	Part Number	Description	Validity	Notes
1	997557003F	GROUP ENTRY TUBE ASS. M26 HV		
1	997557008F	ECE M26 VA RUV. GROUP ENTRY TUBE	N:NSF	
2	402317020F	OR 50.39X3.53 EPDM 70 NSF		
3	457165028	HEAT EXCHANGER RING		
3	457401008F	NSF CARTRIDGE RING	N:NSF	
4	457177002	HEAT EXCHANGE		
4	457177005	CARTRIDGE NSF-USA-JPN mm15	M:JP,N:NSF	
5	503306200	M6X20 BOLD		
6	533902900F	SOL.VALVE 3-WAY SMALL BASE 14.5 bar 24V		
6	533892300R	SOLENOID VALVE	N:UL	
7	937055010	1/8 RUBBER HOLDER CONNECTOR		
	⇌ 937055000	1/8 RUBBER HOLDER CONNECTOR		
8	913535033F	SECOND COOLING GROUP ASS.		
8	913535028	COOLING HOSE NF	N:NSF	
9	220000016	SILICONE PIPE D 6X10		
10	957826000	GROUP W/CAP		
10	957827000	M39 GROUP W/CAP NSF	N:NSF	
11	457343000	PLUG		
12	402326000F	SEAL 26.5X20.2X1.5		
13	530501200	OR 2025		
14	401183010	GASKET 22X17X1,5 INLET VALVE		
15	457364000	PLUG 3/8		
16	503605180	5X18 TSV SCREW		
17	401261010	GROUP GASKET		
18	590787001	SCREW M6 COFFEE CONTAINER		
19	414005087	HOOK UP DELIVERY GROUP		
20	997019000	CASING PIN M26		
21	457037048	SHOWER DISK		
21	457400008F	NSF SHOWER DISC	N:NSF	
22	457504000	SHOWER INOX		
23	913534043F	RUVECO PLUS FIRST COOL. GROUP ASS. (REPL		
23	913534048	INLET GROUP COOLING PIPE NF	N:NSF	
24	947555020F	ECE CARTRIDGE FILLING TUBE ASS.		
24	920205020	CARTRIDGE FILLING TUBE ASS. ECE NSF	N:NSF	
25	947557020F	OUTPUT TUBE GROUP-SHORT FILLING CART.	M:JP,N:NSF	
25	421619020	NSF SHORT CARTRIDGE FILLING GR. OUTPUT T	N:NSF	
26	457207002	HEAT EXCHANGER		
26	457207005	HEAT EXCHANGER NSF-USA-JPNmm21	N:NSF	
27	402249000	O-RING 5,28X1,78		
28	997167000	ANTI-BENDING SPRING # 10		
29	421578003F	MANIFOLD TUBE ASS. FILLING-INPUT GR. RUV		
29	421578008	COLLECTOR PIPE	M:JP,N:NSF	
30	532759500	HEXAGON SOCKET HEAD SCREW M6x10		
31	401235020	GASKET 11X6,5X1,5		

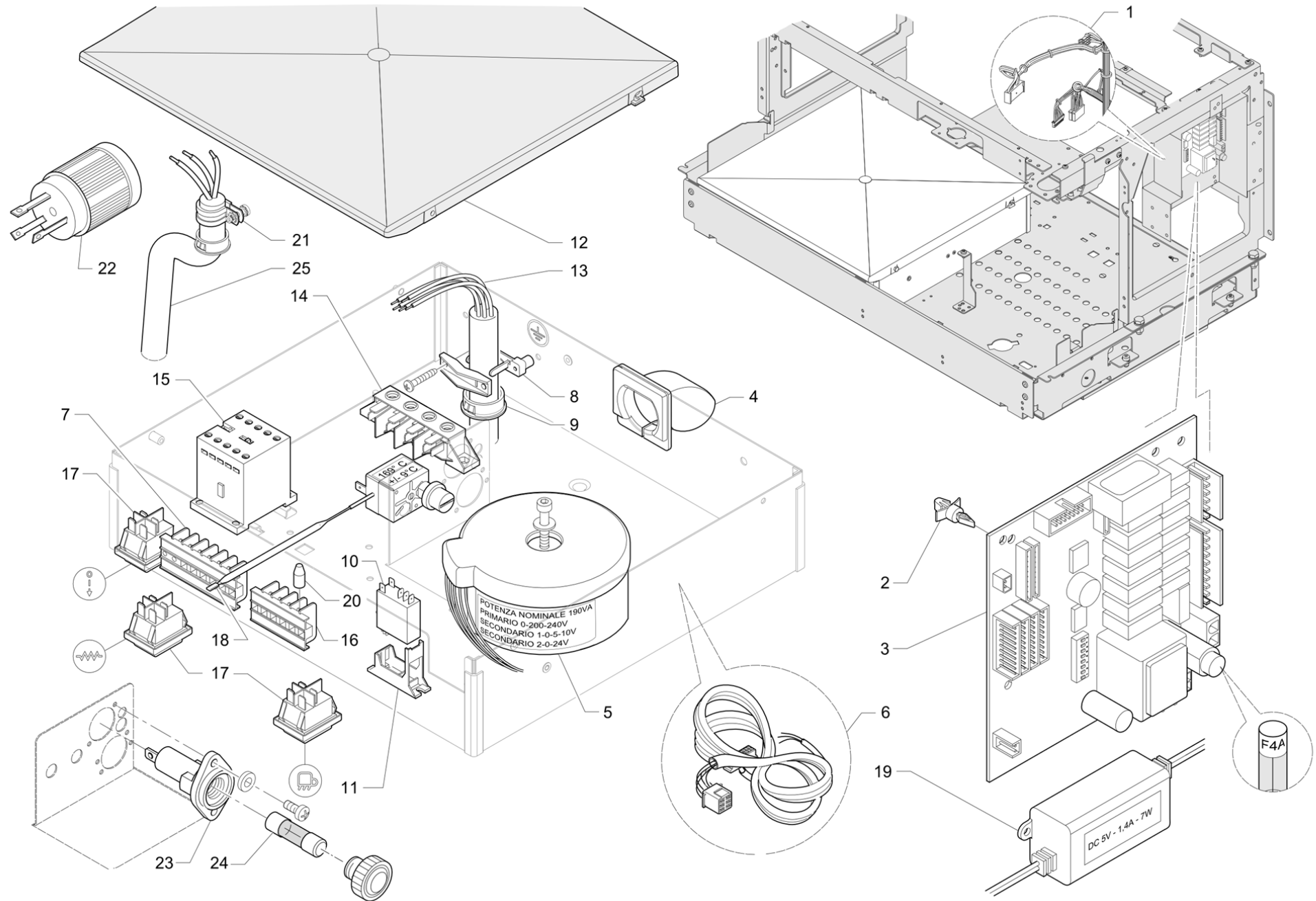
Pos	Part Number	Description	Validity	Notes
32	448138018	UNION 1/8 F		



Pos	Part Number	Description	Validity	Notes
1	220000016	SILICONE PIPE D 6X10		
2	401183010	GASKET 22X17X1,5 INLET VALVE		
3	401190000	O-RING 12,37X2,62 EPDM INLET		
4	402314000	OR 7.59x2.62 EPDM 75.5 INLET		
5	457347010	3/8 GAS EXAGONAL INOX CAP		
6	462327000	INSULATING MEMBRANE		
7	512904050	S.S. M4X5 SCREW		
8	530298120	PUMP 220/50 HORIZ. MOTOR		
8	530299600	PUMP 220/50 HORIZ. MOTOR UL	N:UL	
8	530299720	POMP MOTOR UL	N:UL	
9	402198000	GASKET SOLENOID VALVE		
10	531492400	CAPACITOR 10MF		
10	531492900	CAPACITOR 10mF	N:UL	
10	531494700	CONDENSER 10 uF	N:KTL	
11	533100400	INSIDE FILTER		
12	533100600	JOINT 3/8X3/8		
13	533180010	180 L/h VOLUMETRIC PUMP INOX W/FILTER		
14	952706030	VALVE GROUP 24V 50 60Hz		
14	957790000	NSF VALVE GROUP 24V 60Hz	N:NSF,N:UL	
15	958071000	SPRING FOR VALVE		
16	958072020	NIPPLE 1/8 X 1/8 NOZZLE 0.8		
17	958073000	SPACER		
18	958075010	SPRING FOR VALVE		
19	958076000	ADJUST. SCREW		
20	958231000	MINI-VALVE		
21	4741133394	RUBBER ANTIVIBRATION		
23	3951117886	COMPREHENSIVE PIPE		
23	532304400	VALVE BLOCK-PUMP TUBE NF	N:NSF	
24	3951130515	PIPE 3/8X 3/8 120øMM 2200		
24	532304300	PIPE 3/8 NF	N:NSF	
25	4004136622	SCREW M6		
26	4081021923	RING		
27	4821023082	MOTOR JOINT		
28	4821108987	PUMP JOINT		
29	533893300R	SOLENOID VALVE 2G 24V/50-60HZ		
29	533895700R	SOLENOID VALVE 2G 24V/60HZ NF	N:UL	
30	402250000	GASKET 3,68 X 1,78 INTERMEDIATE TS		
31	958367000F	NIPPLE 1/8 X 1/8 NOZZLE 0.8		

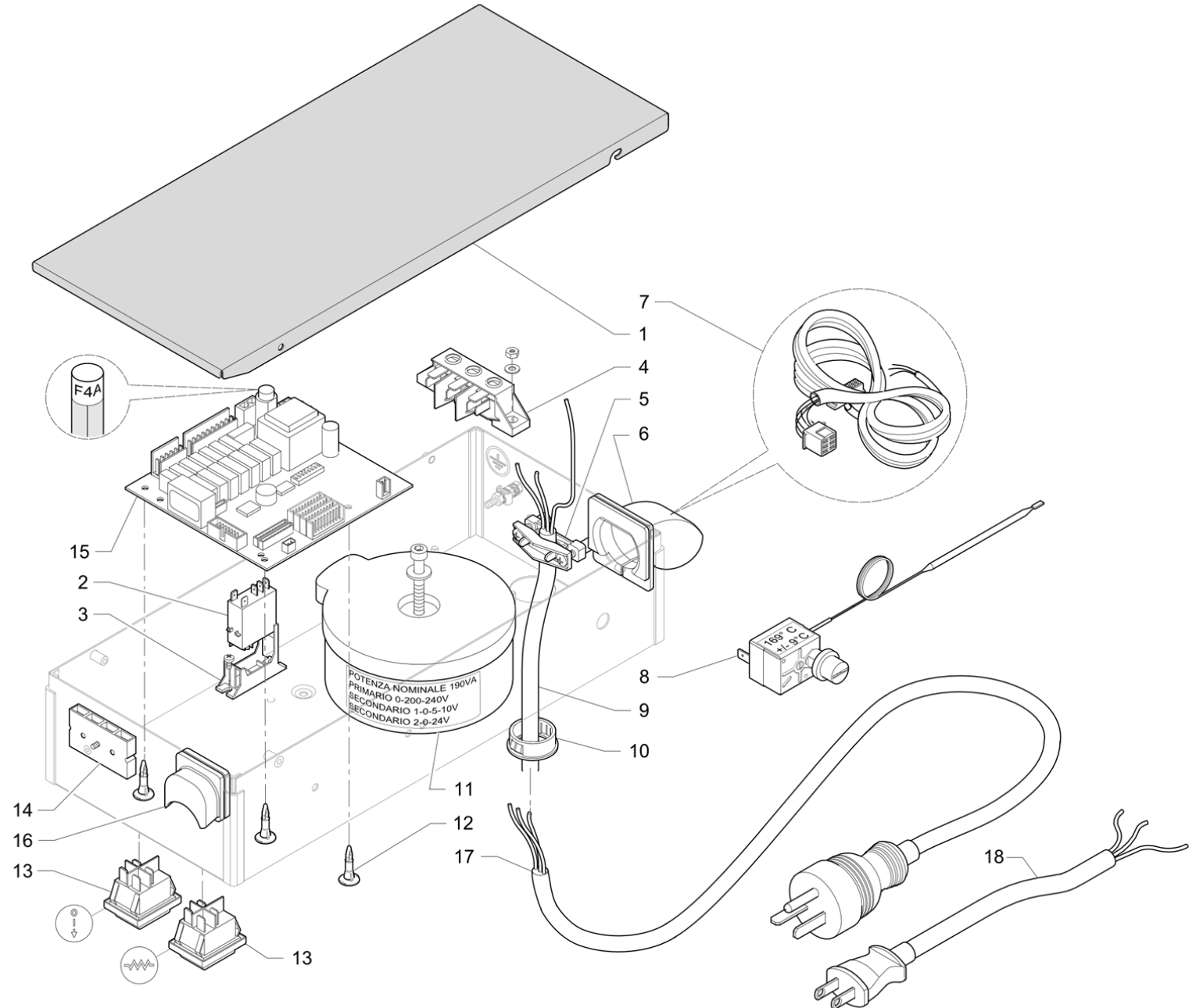


Pos	Part Number	Description	Validity	Notes
1	535785068	BT GEN. CABLING ASS.		
1	535821010	3 GR ADD. WIRING M34-M39 RESTYLING		
2	532729700	BOARD SUPPORT		
3	537059400	NEWTON CPU BOARD		
	⇒ 947758030	NEWTON CPU BOARD		
4	937075000	FAIRLEAD		
5	530901910	TRASFORMER		
6	535776040	POWER WIRING 2-3 GROUPS M.34		
	⇒ 535776030	POWER CABLING 2		
7	532178800	LAMELLAR TERMINAL BOARD		
8	532123300	CORD FIXING LOCK		
9	532170500	MEMBRANE CABLE LAY		
10	531404200	PHASE FILTER 115/250V 50/60 Hz		
11	532174600	SPACER		
12	952009010	COVER FOR ELEC.BOX		
13	421214000	WIRE		
13	910414010	MAIN CABLE 4X3,5	M:JP	
13	946296000	SUPPLY CABLE 5x1.5mm2	N:KTL	
14	532161500	TERMINAL BOARD		
15	531503520	CONTACTOR 4P 220/240V		
15	531508600	MINI-COUNTER 20A 200V 50/60Hz	M:JP	
16	532124500	CAPPUCCIO		
17	532024500	SWITCH		
17	532091300	GREEN BIPOLAR SWITCH	N:KTL	
18	537060500	POWER SLAVE NEWTON BOARD		
	⇒ 947759000	POWER SLAVE BOARD		
19	532174700	SPACER FOR ELECTRONIC BOARD		
20	535668000	3 PHASE FILTER C		
21	531194720	SFTY. THERMOSTAT		
22	532176500	UL 30A PLUG	N:UL	
23	530111000	FUSE HOLDER	N:UL	
24	530112200	FUSE CC15 A	N:UL	
25	530112900	WIRE	N:UL	
25	530114300	WIRING	N:UL	
26	532178900	LAMELLAR TERMINAL BOARD		
28	532170400	FIXCABLE	N:UL	

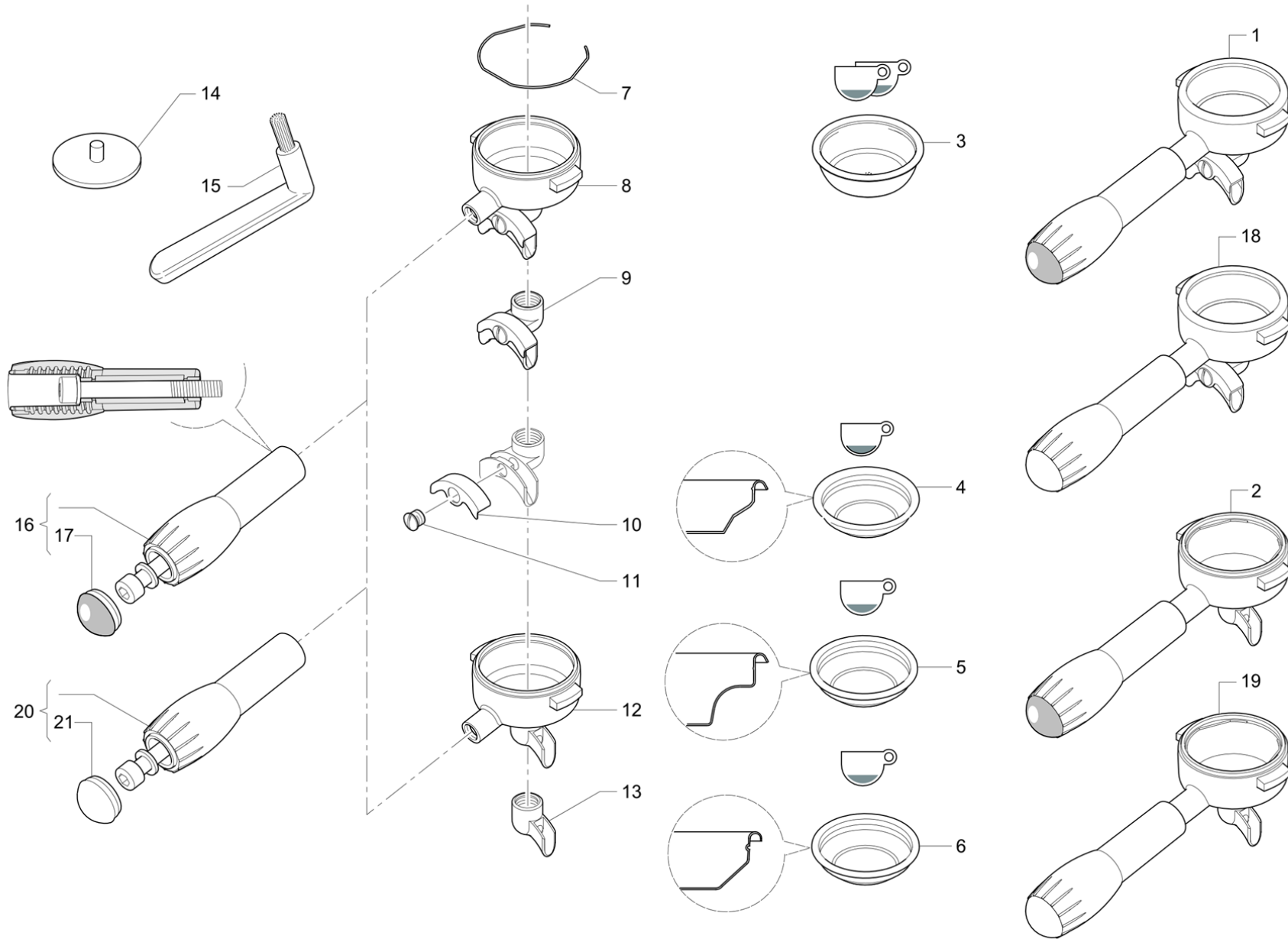


Pos	Part Number	Description	Validity	Notes
1	535993000	LOW VOLTAGE WIRING 2-3 GR -		
2	532729700	BOARD SUPPORT		
3	952846010	ELECTRONIC BOARD		
4	937075000	FAIRLEAD		
5	530901910	TRASFORMER		
6	952704020	WIRING		
	⇌ 952704010	M24 WIRING		
7	532178900	LAMELLAR TERMINAL BOARD		
8	532123300	CORD FIXING LOCK		
9	532170500	MEMBRANE CABLE LAY		
10	531508300	RELAY 16 A		
11	531507700	RELAY SOCKET		
12	952009010	COVER FOR ELEC.BOX		
13	421214000	WIRE		
13	910414010	MAIN CABLE 4X3,5		M:JP
13	946296000	SUPPLY CABLE 5x1.5mm2		N:KTL
14	532161500	TERMINAL BOARD		
15	531503520	CONTACTOR 4P 220/240V		
15	531508600	MINI-COUNTER 20A 200V 50/60Hz		M:JP
16	532178800	LAMELLAR TERMINAL BOARD		
17	532024500	SWITCH		
17	532091300	GREEN BIPOLAR SWITCH		N:KTL
18	531194720	SFTY. THERMOSTAT		
19	538139010	POWER SUPPLY		
20	532124500	CAPPUCCIO		
21	532170400	FIXCABLE		N:UL
22	532176500	UL 30A PLUG		N:UL
23	530111000	FUSE HOLDER		N:UL
24	530112200	FUSE CC15 A		N:UL
25	530112900	WIRE		N:UL





Pos	Part Number	Description	Validity	Notes
1	997139001	ELECTRIC BOX COVER		
2	531508300	RELAY 16 A		
3	531507700	RELAY SOCKET		
4	532128200	TERMINAL BOARD		
5	532123300	CORD FIXING LOCK		
6	937075000	FAIRLEAD		
7	535999010	WIRING		
	⇒ 535999000	BT WIRING		
8	531194720	SFTY. THERMOSTAT		
9	530112100	SUPPLY WIRE		
9	530119100	SUPPLY CABLE 3x1.5 L1830mm	N:KTL	
9	916406010	MAIN CABLE 3X1,5 L1830	M:JP	
10	532170500	MEMBRANE CABLE LAY		
11	530901910	TRASFORMER		
11	496564000	E98 100-120V TRANSFORMER	N:UL	
12	532168900	NYLON SPACER		
13	532091300	GREEN BIPOLAR SWITCH	N:KTL	
13	532009600	MAIN SWITCH	N:KTL	
14	532125000ZZ	6.3X0.8 CABLE FAST. CLAMP		
15	952846010	ELECTRONIC BOARD		
15	537060700	BASE BOARD	N:UL	
	⇒ 959713000	CPU BASE BOARD 120 V	N:UL	
16	937074000	FAIRLEAD		
17	532172200	FEED IN POWER CABLE 3X12 AWG 125V 20A	N:UL	
18	535799000	MAIN CABLE WITH PLUG 3X2	M:JP	



Pos	Part Number	Description	Validity	Notes
1	957725060F	2-WAY FILTER-HOLDER ASSY		
1	957778020F	2-WAY (E) NSF FILTER-HOLDER ASSY	N:NSF	
2	957726070F	1-WAY CR FILTER-HOLDER ASSEMBLY		
	⇒ 957726060F	1-WAY FILTER-HOLDER ASSY		
2	957792030F	1-WAY (E) NSF 372 FILTER-HOLDER ASSEMBLY	N:NSF	
	⇒ 957792020F	1-WAY (E) NSF FILTER-HOLDER ASSY	N:NSF	
3	457233000	FILTER 2 COFFEE		
4	457163000	1 CUP FILTER		
5	457249010	1 CUP FILTER		
6	457232000	FILTER 1 COFFEE		
7	458101000	SPRING FILTERHOLDER		
8	457563020	2-WAY CUP ASSY		
8	957505010F	2-WAY NSF CUP ASSY	N:NSF	
9	457895020	SPOUT DOUBLE SHORT		
10	457357007	SPOUT COVER		
11	4142011678	SPOUT HOLE CLOSING PLUG		
12	457564030	1-WAY CUP ASSEMBLY		
	⇒ 457564020	FILTERHOLDER 1 WAY CUP		
12	957504020F	1-WAY NSF 372 CUP ASSEMBLY	N:NSF	
	⇒ 957504010F	1-WAY NSF CUP ASSY	N:NSF	
13	457358017	1 WAY SPOUT		
14	457058000	DISK CLEANING GROUP		
15	457062000	BRUSH		
16	957824000	GRIP ASSY M29/M24/M34/M39		
17	957182007	FILTER-HOLDER KNOB CHROME CAP		
18	457890070F	2-WAY FILTER-HOLDER ASSY		
18	994819010F	2-WAY (E) NSF 372 FILTER-HOLDER ASSEMBLY	N:NSF	
	⇒ 994819000F	2-WAY (E) NSF FILTER-HOLDER ASSY	N:NSF	
19	457891100F	1-WAY NR FILTER-HOLDER ASSEMBLY		
	⇒ 457891090F	1-WAY NR FILTER-HOLDER ASSY		
19	994818010F	1-WAY (E) NSF 372 FILTER-HOLDER ASSEMBLY	N:NSF	
	⇒ 994818000F	1-WAY (E) NSF FILTER-HOLDER ASSY	N:NSF	
20	957823000	GRIP ASSY M29/M24/M34/M39		
21	957182000	FILTER-HOLDER KNOB CAP		

**LA Cimbali**