



**Traditional coffee machines**

**M200**

**INDEX**

M200 - GENERIC TABLE .....	3
PRIMARY SPARE PARTS .....	6
KIT PPM M200 .....	7
HYDRAULIC CIRCUIT .....	9
HYDRAULIC CIRCUIT GT2 .....	11
HYDRAULIC CIRCUIT PROFILE .....	13
COACHWORK .....	15
COACHWORK .....	18
CUPS-WARMER .....	20
CONTROL PANEL .....	22
BOILER .....	24
WATER AND STEAM TAPS .....	26
TURBOSTEAM .....	28
HYDRAULIC COMPONENTS .....	31
DELIVER GROUP .....	33
VOLUMETRIC PUMP .....	35
ELECTRICAL BOX .....	37

FILTERHOLDERS AND FILTERS .....	39
M200 - FILTERHOLDERS AND FILTERS INOX WOOD .....	41

Pos	Part Number	Description	Validity	Notes
-	711803010F	STAINLESS STEEL ANTI-ROTATION WAND		
	⇌ 711803000F	COMPLETE WATER WAND		
-	711538000F	RH STEAM TUBE		
-	711541000F	LH STEAM TUBE 2GR		
-	711540000F	LH STEAM TUBE 3GR		
-	711532000F	GT SOLENOID VALVE BOILER TUBE		
-	711052010	GTA 3GR STEAM UPPER PARTITION		
	⇌ 711052000	GTA 3GR STEAM UPPER PARTITION		
-	711085010	UPPER STEAM PARTITION GTA 2GR		
	⇌ 711085000	GTA 2GR STEAM UPPER PARTITION		
-	711091010	VAP-TS 2GR UPPER PARTITION		
	⇌ 711091000	VAP-TS 2GR UPPER PARTITION		
-	711090010	VAP-TS 3GR UPPER PARTITION		
	⇌ 711090000	VAP-TS 3GR UPPER PARTITION		
-	711103000	TAP RING-NUT PIN		
-	711543010F	BOILER TUBE - SOLENOID VALVE HD		
-	958159010	GRATED CUP TRAY GUIDE VA		
-	958160000	CUP HOLDER GRID HV		
-	711542000F	FAN-SOLENOID VALVE TUBE HD		
-	711176000F	SOLENOID VALVE BLOCK GT-2		
-	711558000F	FAN TUBE GT-2		
-	536309000	HD CABLE 2 & 3 GR		
-	711543010F	BOILER TUBE - SOLENOID VALVE HD		
	⇌ 711543000F	BOILER TUBE - SOLENOID VALVE HD		
-	711197000	LIFTING BELT		
-	711033020	TRAY RH BRACKET		
	⇌ 711033010	RH BASIN BRACKET		
-	711034020	TRAY LH BRACKET		
	⇌ 711034010	LH BASIN BRACKET		
-	711012017	TOUCH BUTTON PAD HOLDER		
	⇌ 711012007	TOUCH BUTTON PAD HOLDER		
-	711115010	LH GRILLE		
	⇌ 711115000	RH BASIN GRILLE		
-	711116010	RH GRILLE		
	⇌ 711116000	LH BASIN GRILLE		
-	536311020	RED LED CABLE RGB		
	⇌ 536311010	CABLE LED		
-	711545000	TOUCH DISPLAY CASING CLOSURE		
-	711074010	"LA CIMBALI" PLATE		
	⇌ 711074000	"LA CIMBALI" PLATE		
-	711087040	2GR UPPER FRAME		
	⇌ 711087010	UPPER FRAME 2GR		
-	711088030	UPPER FRAME 3GR		
	⇌ 711088010	UPPER FRAME 3GR		
-	711089030	UPPER FRAME 4GR		

Pos	Part Number	Description	Validity	Notes
	⇒ 711089010	UPPER FRAME 4GR		
-	711529010F	4GR GT FAN RAMP TUBE		
	⇒ 711529000F	VENTOLINI RAMP TUBE 4GR GT		
-	711015004	REAR PLATE 3GR		
-	711528010F	BOILER FILLING TUBE		
-	711530010F	3GR GT VOLUMETRIC METER RAMP TUBE		
-	711531010F	2GR GT VOLUMETRIC METER RAMP TUBE		
-	711219000	COMPENSATION ADHESIVE		
-	949003005F	T INTERMEDIATE -1/4 CON-1/4 ENV-M10x1.2		
-	533180010	180 L/h VOLUMETRIC PUMP INOX W/FILTER		
	⇒ 533198100	TECH FLUID PUMP		
-	711144024	BRUSHED STEEL DUCT PROFILE 4GR		
-	533904210F	SOLENOID VALVE 2/2		
-	711145024	3GR BRUSHED PIPE DIE		
-	711146024	2GR BRUSHED PIPE DIE		
-	711701020	STEAM KNOB M200		
	⇒ 711502000	STEAM KNOB M200		
-	711087040	2GR UPPER FRAME		
-	711088040	3GR UPPER FRAME		
-	711089040	4GR UPPER FRAME		
-	711701020	STEAM KNOB M200		
-	532169510	UL - CSA PLUG, 50A 250V		
-	402223010	GASKET, OR 7.65X1.78 TS PROBE		
-	402250010	OR 3.68X1.78 VITON NSF		
-	402325010F	OR 101.19x3.53 NSF		
-	711980020	ASS. COMPONENTI LANCIA TS P294		
-	710361000	GUARNIZIONE MONOADESIVA SP. 3mm		
	⇒ 710182000	DIP TRAY GASKET		
-	751700000	GRUPPO VALVOLE 24V cc		
-	978566020F	ASSIEME RUBINETTO ACQUA DIRITTO NSF 372		
-	711553020F	ASM TUBO TURBOSTEA-CALDAIA GT DX 2GR-P2		
-	711553025F	ASM TUBO TURBOSTEAM-CALDAIA GT DX 2GR-P		
-	482157000	INSULATOR 30X25X5MM		
-	711745010	KIT S STEAM PPM M200		
-	710296015F	CORPO ACQUA PRESIDENT C/CLB		
-	537067510	SCHEDA CPU IDEA RIC.		
-	402218010	OR 14 x 1.78 NSF		
-	418941020	AS.VALVOLA ANTIRISUCCHIO		
-	711520010	PANNELLO DX RETROILLUMINATO RGB		
	⇒ 711520000	BACK-LIT RH PANEL RGB		
-	711555010	PANNELLO DX RETROILLUMINATO ROSSO		
	⇒ 711555000	BACK-LIT RH PANEL - RED		
-	711521010	PANNELLO SX RETROILLUMINATO RGB		

Pos	Part Number	Description	Validity	Notes
	⇌ 711521000	BACK-LIT LH PANEL RGB		
-	711556010	PANNELLO SX RETROILLUMINATO ROSSO		
	⇌ 711556000	BACK-LIT LH PANEL - RED		
-	533896520R	EV 3VIE BASETTA 24V cc RUBINO CLB		
-	711814000	ASS. DISPLAY (E-L) C/VETRINO M200 RIC.		

Pos	Part Number	Description	Validity	Notes
-	536203000	3GR panel wiring		
-	536205000	2GR panel wiring		
-	537067500	CPU BOARD		
-	538162000	IDEA EXPANSION BOARD		
-	538165000	POWER SUPPLY		
-	711701020	STEAM KNOB M200		
	⇌ 711701010	STEAM KNOB M200		
-	711506000	BUTTON PAD - 4 BUTTONS M200		
-	711507000	BUTTON PAD - 6 BUTTONS M200		
-	711702010	WATER BUTTON PAD M200		
-	713741000	TRIAC BOARD		
-	985915020	COLD TOUCH STEAM WAND		
-	533896510R	3-WAY SOLENOID VALVE 24V		
-	533904210F	SOLENOID VALVE 2/2		
-	533906800F	SOLENOID VALVE 2/2 Ø 2.5 1/4		
-	533906900F	SOLENOID VALVE 2/2 Ø 5 1/4		
-	533907400F	SOLENOID VALVE 2 NORMALLY CLOSED		
-	533907500F	SOLENOID VALVE 3/2 Ø 3mm 1/4		
-	983570000F	230 V 3600 W ELECTRIC RESISTOR		
-	537056500	RESISTOR 1300W 220		
-	537056600	1300W 220V RESISTOR WITH RUVECO	N:NSF	
-	533900120	PROPORTIONAL SOLENOID VALVE		
-	533897810	2-WAY SOLENOID VALVE 1/8G 24V DC SMALL B		
-	711815000	DISPLAY (E+L) C/VETRINO M200 RIC.		

KIT "V2" VALVES PPM M200

KIT "V3" VALVES PPM M200

KIT "S" STEAM PPM M200

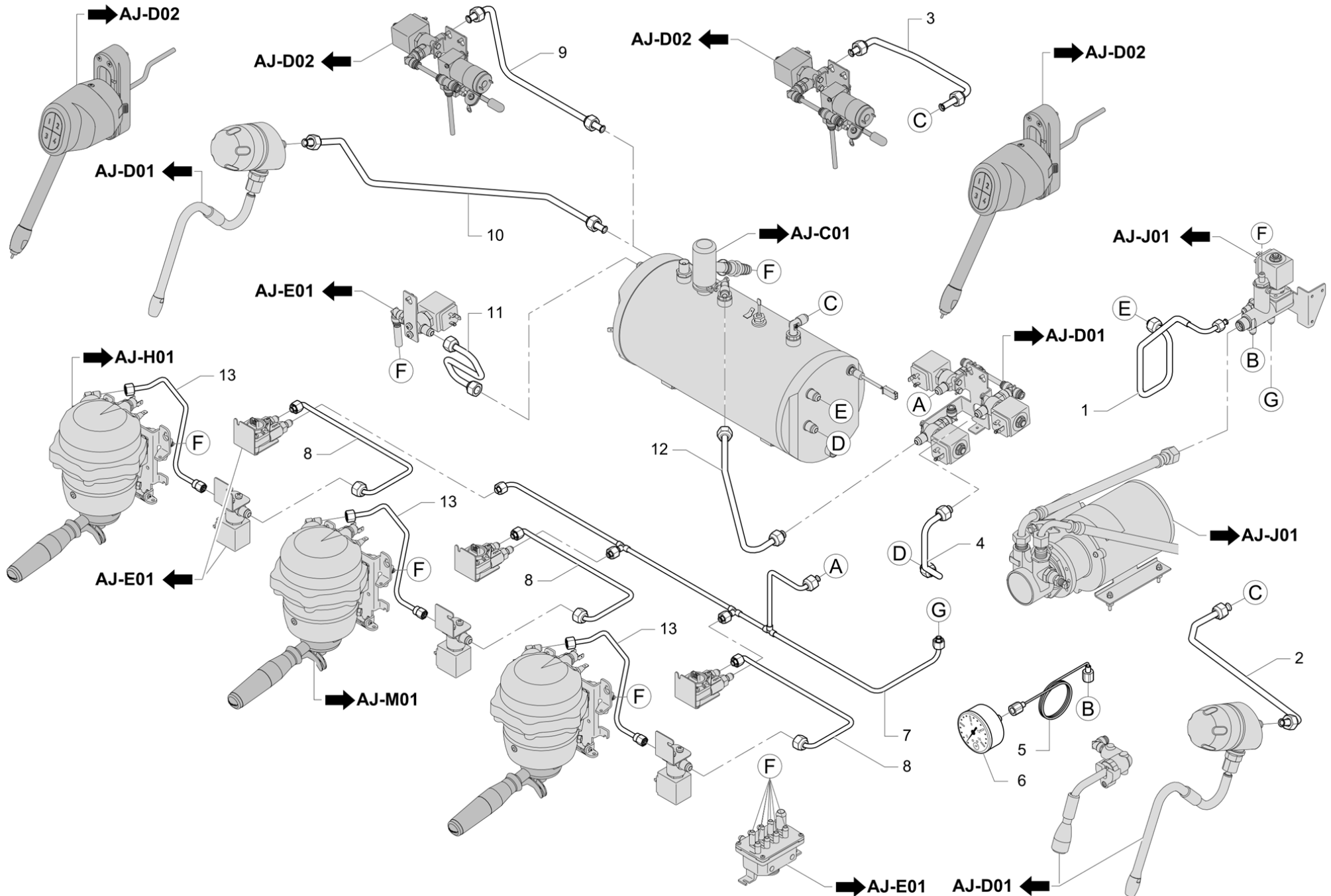
KIT "C2" COFFEE PPM M200

KIT "C3" COFFEE PPM M200

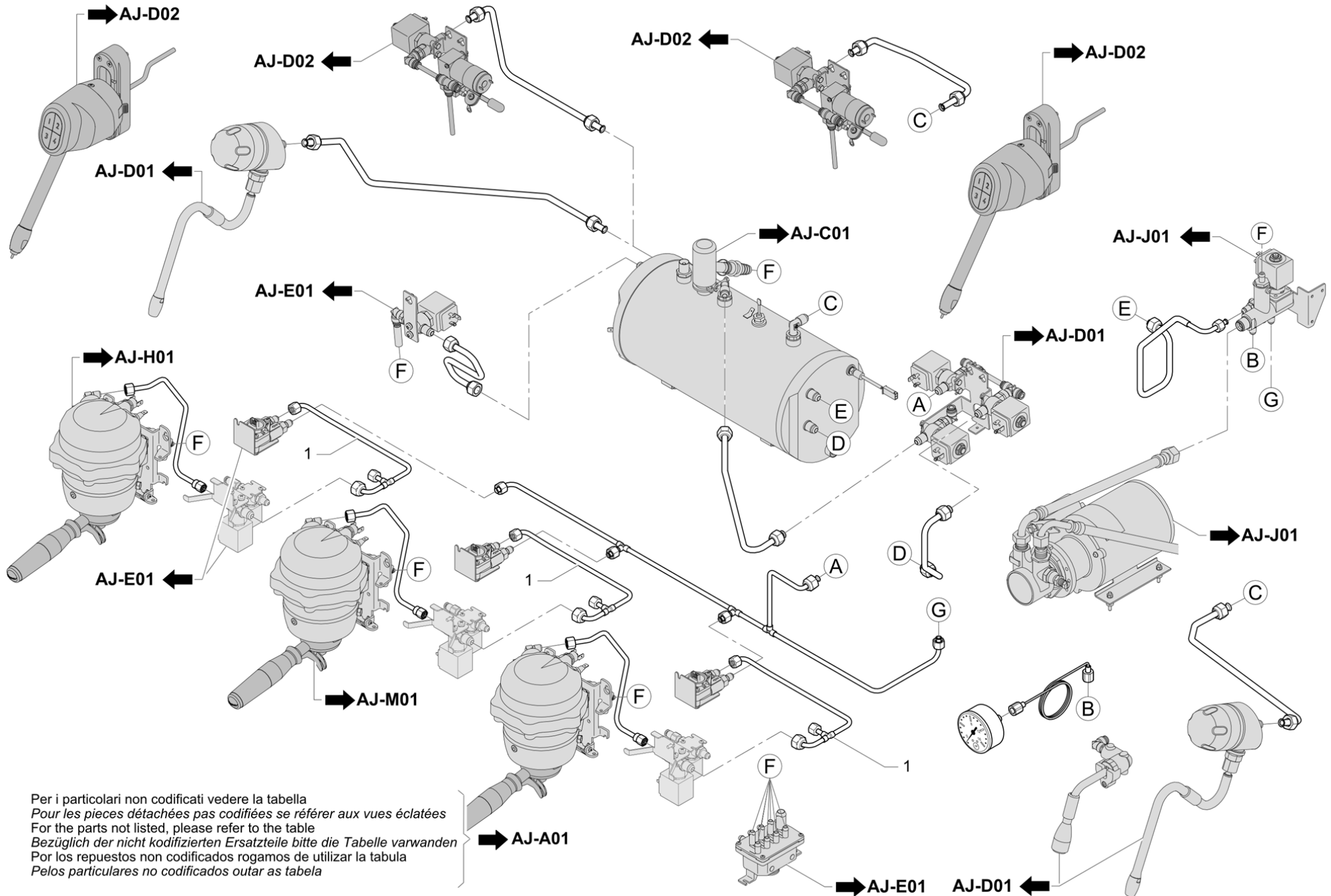
KIT "C4" COFFEE PPM M200

Pos	Part Number	Description	Validity	Notes
1	711743000	KIT "V2" VALVES PPM M200		
2	711744000	KIT "V3" VALVES PPM M200		
3	711745000	KIT "S" STEAM PPM M200		
4	711746000	KIT "C2" COFFEE PPM M200		
5	711747000	KIT "C3" COFFEE PPM M200		
6	711748000	KIT "C4" COFFEE PPM M200		

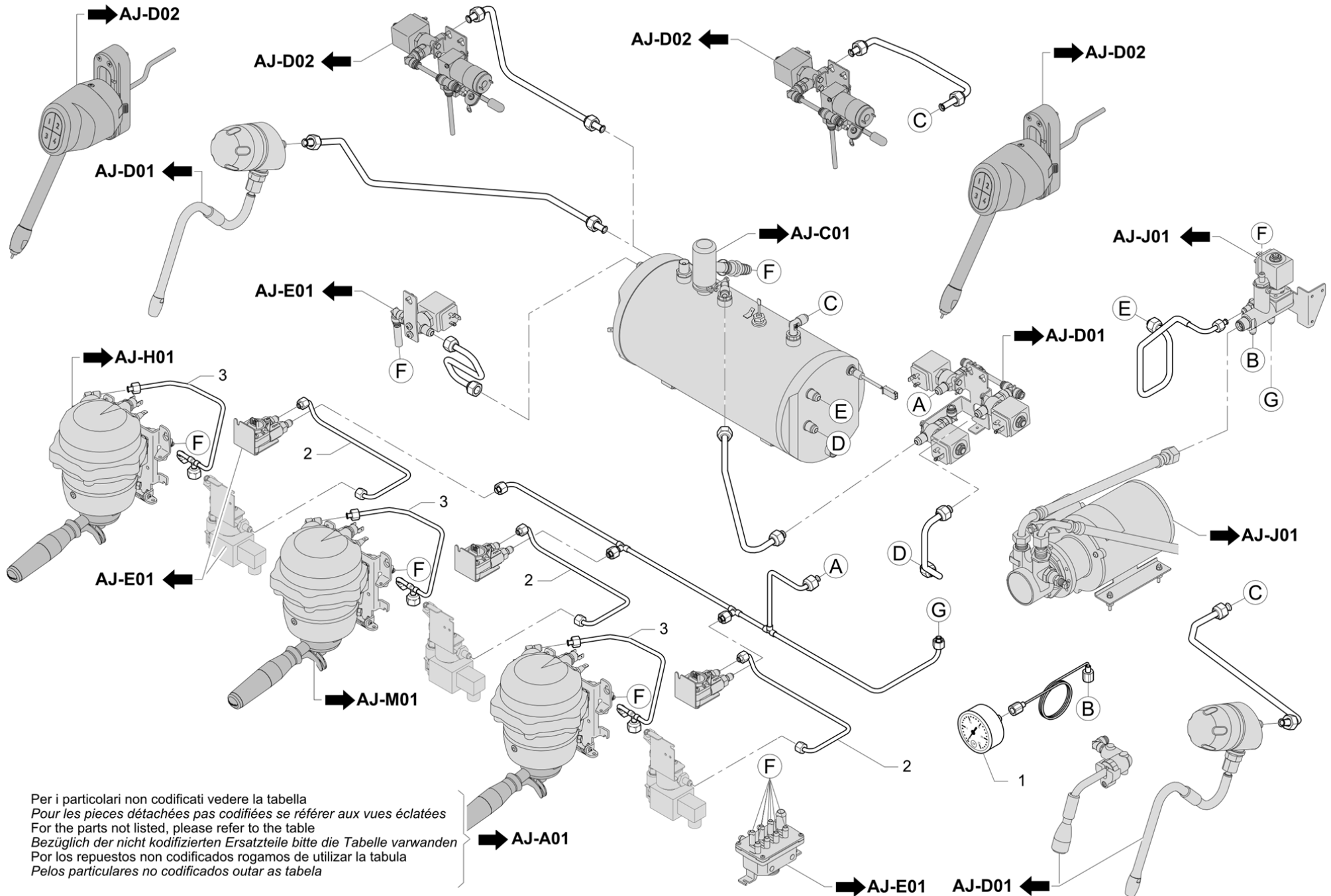




Pos	Part Number	Description	Validity	Notes
1	711528010F	BOILER FILLING TUBE		
	⇌ 711528000F	BOILER FILLING TUBE		
2	711561000F	RH STEAM TUBE P294 STD TAP		
2	711561005F	STEAM TUBE RH STD TAP	N:NSF	
3	711553000F	TURBOSTEAM-BOILER TUBE GT RH 2GR		
3	711553005F	TURBOSTEAM TUBE GT RH 2GR	N:NSF	
3	711536000F	RH TURBOSTEAM GT TUBE		
3	711536005F	RH TURBOSTEAM GT TUBE	N:NSF	
4	711533000F	HOT WATER TUBE		
5	3951133673	TUBE FOR GAUGE		
6	531196010	PRESSURE GAUGE		
7	711531010F	2GR GT VOLUMETRIC METER RAMP TUBE		
	⇌ 711531000F	VENTOLINI RAMP TUBE 2GR GT		
7	711530010F	3GR GT VOLUMETRIC METER RAMP TUBE		
	⇌ 711530000F	VENTOLINI RAMP TUBE 3GR GT		
7	711529010F	4GR GT FAN RAMP TUBE		
8	983712010F	FAN/SOLENOID VALVE TUBE E71		
9	711554000F	TURBOSTEAM-BOILER TUBE LH 2GR		
9	711554005F	TURBOSTEAM TUBE LH 2GR	N:NSF	
9	711537000F	LH TURBOSTEAM GT TUBE		
9	711537005F	TURBOSTEAM TUBE GT LH	N:NSF	
10	711562000F	LH STEAM TUBE 2GR STD TAP		
10	711562005F	STEAM PIPE LH 2GR STD TAP	N:NSF	
10	711563000F	LH STEAM TUBE 3GR STD TAP		
10	711563005F	STEAM PIPE LH 3GR TAP	N:NSF	
10	711564000F	LH STEAM TUBE 4GR STD TAP		
10	711564005F	STEAM PIPE LH 4GR TAP	N:NSF	
11	711551000F	ANTI-SUCTION VALVE TUBE		
11	711551005F	ANTI-SUCTION VALVE TUBE	N:NSF	
12	711534000F	HOT WATER STEAM TUBE		
12	711534005F	HOT WATER STEAM TUBE	N:NSF	
13	711532010F	GT SV BOILER TUBE		

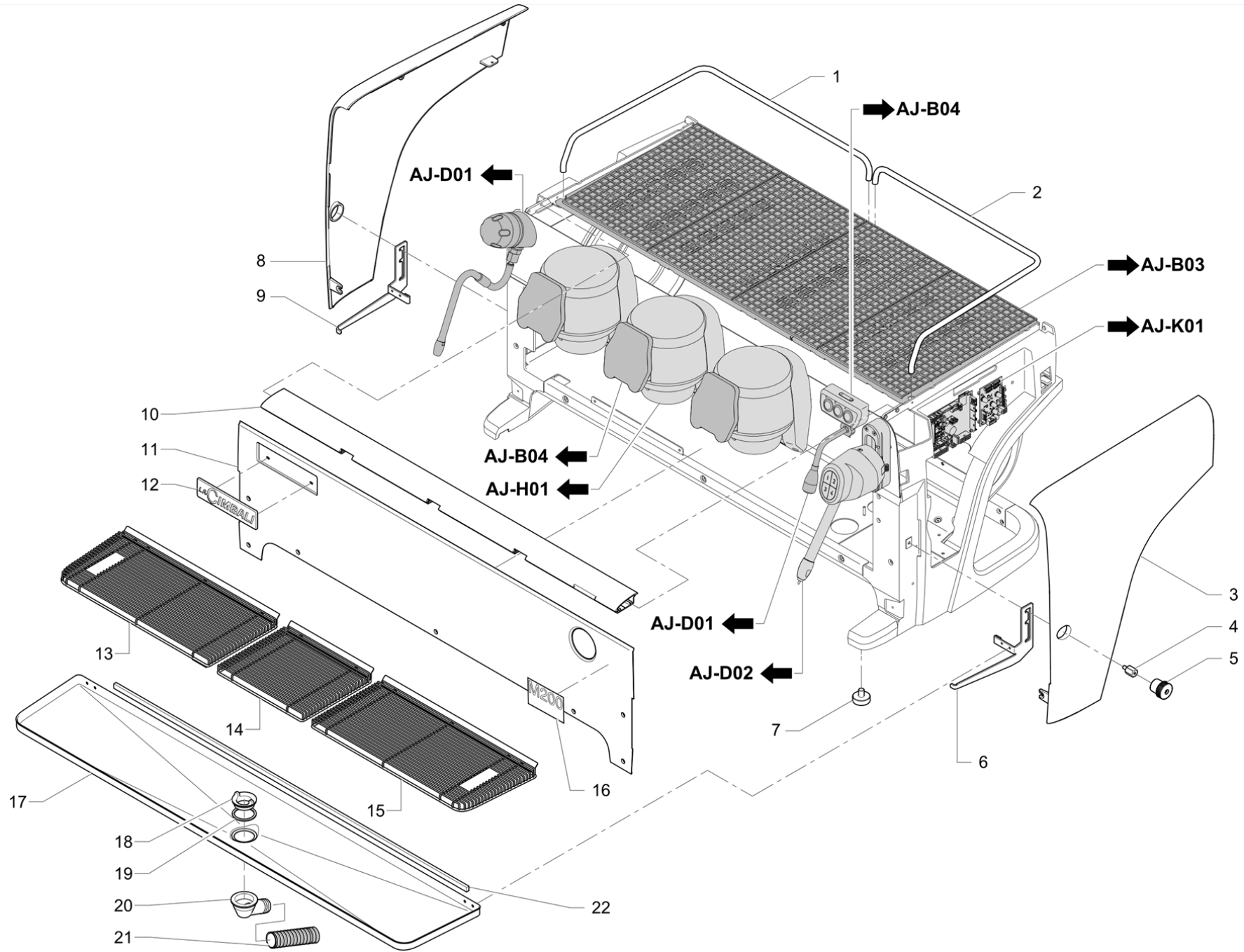


Pos	Part Number	Description	Validity	Notes
1	711558000F	FAN TUBE GT-2		



Per i particolari non codificati vedere la tabella  
 Pour les pièces détachées pas codifiées se référer aux vues éclatées  
 For the parts not listed, please refer to the table  
 Bezüglich der nicht kodifizierten Ersatzteile bitte die Tabelle verwenden  
 Por los repuestos no codificados rogamos de utilizar la tabula  
 Pelos particulares no codificados outar as tabela

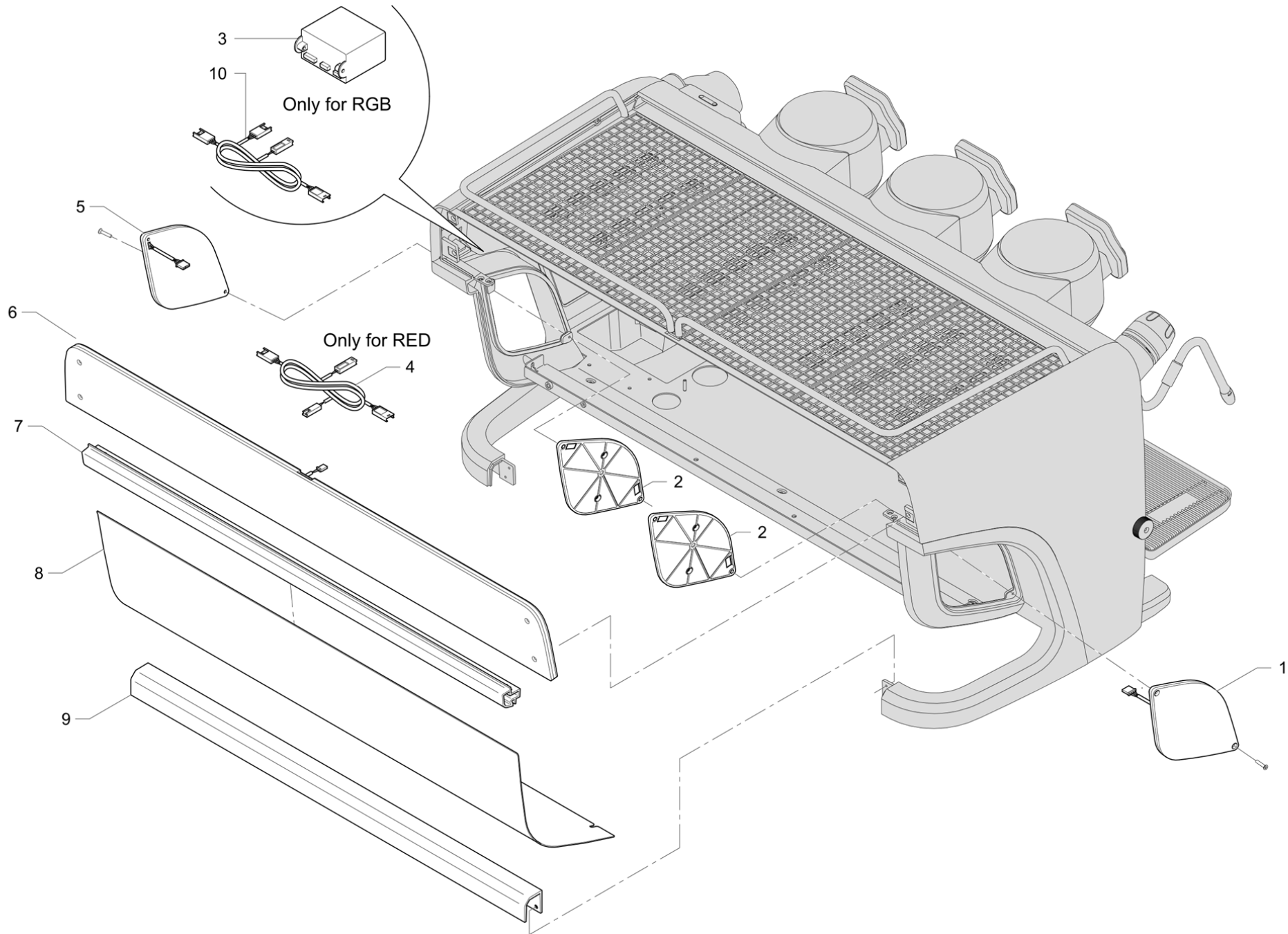
Pos	Part Number	Description	Validity	Notes
1	531196700	PRESSURE GAUGE Ø 63 25 bar		
2	711542000F	FAN-SOLENOID VALVE TUBE HD		
3	711543010F	BOILER TUBE - SOLENOID VALVE HD		



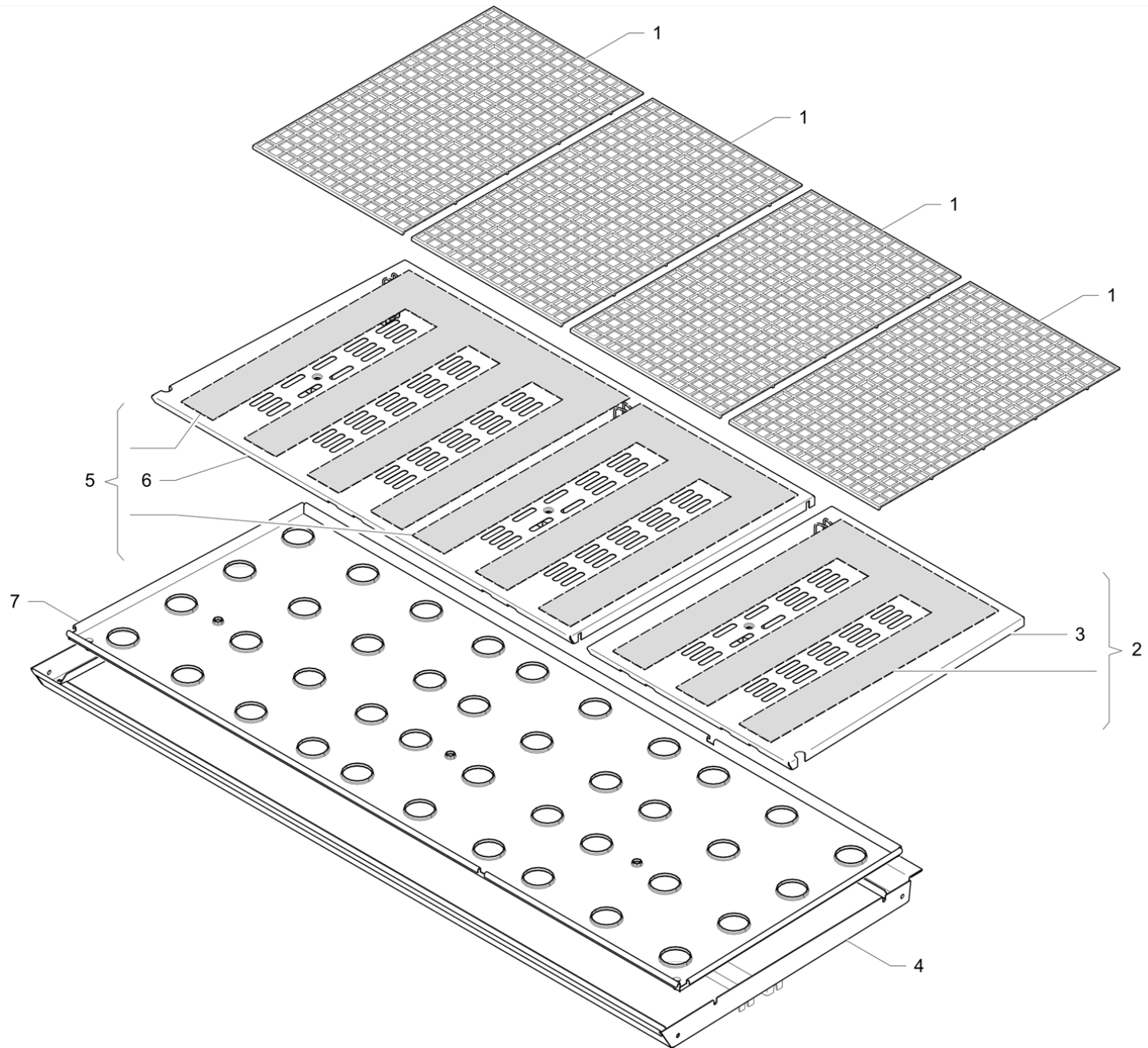
Pos	Part Number	Description	Validity	Notes
1	711121009	LH CUP-SUPPORT RETAINER PANEL 4GR		
1	711137009	LH SIDE 3GR		
1	711139009	LEFT SIDE 2GR		
2	711138009	RIGHT CUP HOLDER SIDE 2GR		
2	711136009	RIGHT CUP HOLDER SIDE 3GR		
2	711140009	RIGHT CUP HOLDER SIDE 4GR		
3	711876000	RH SIDE PANEL, BRUSHED	C:AL	
3	711874000	RH SIDE PANEL, WHITE	C:W	
3	711875000	RH SIDE PANEL, BLACK	C:N	
4	711047000	DRIP TRAY ADJUSTMENT PIN		
5	711048000	BASIN ADJUSTMENT KNOB		
6	711033020	TRAY RH BRACKET		
7	940230000	FOOT		
8	711879000	LH SIDE PANEL, BRUSHED	C:AL	
8	711877000	RH SIDE PANEL, WHITE	C:W	
8	711878000	LH SIDE PANEL, BLACK	C:N	
9	711034020	TRAY LH BRACKET		
10	711021014	GLOSSY WHITE DUCT DIE PLATE 2GR	C:W	
10	711008014	GLOSSY WHITE DUCT DIE PLATE 3GR	C:W	
10	711022014	GLOSSY WHITE DUCT DIE PLATE 4GR	C:W	
10	711141014	BLACK DUCT DIE PLATE 4GR	C:N	
10	711143014	BLACK DUCT DIE PLATE 2GR	C:N	
10	711142014	BLACK DUCT DIE PLATE 3GR	C:N	
10	711146024	2GR BRUSHED PIPE DIE	C:AL	
	⇒ 711146014	BRUSHED DUCT DIE PLATE 2GR	C:AL	
10	711145024	3GR BRUSHED PIPE DIE	C:AL	
	⇒ 711145014	BRUSHED DUCT DIE PLATE 3GR	C:AL	
10	711144024	BRUSHED STEEL DUCT PROFILE 4GR	C:AL	
	⇒ 711144014	BRUSHED DUCT DIE PLATE 4GR	C:AL	
11	711023000	LOWER PARTITION 2GR		
11	711006000	LOWER PARTITION 3GR		
11	711024000	LOWER PARTITION 4GR		
12	711074010	"LA CIBALI" PLATE		
13	711115010	LH GRILLE		
14	711117000	CENTRAL BASIN GRILLE		
15	711116010	RH GRILLE		
16	711180000	M200 "GT1" PLATE		
16	711181000	M200 "GT2" PLATE		
16	711182000	M200 "PROFILE" PLATE		
17	711515010	BASIN 2GR		
17	711514010	BASIN 3GR		
17	711516010	BASIN 4GR		
18	711100000	DISCHARGE UPPER BODY		
19	710119000	DRAINAGE GASKET		
20	710118000	LOWER DRAINAGE BODY		



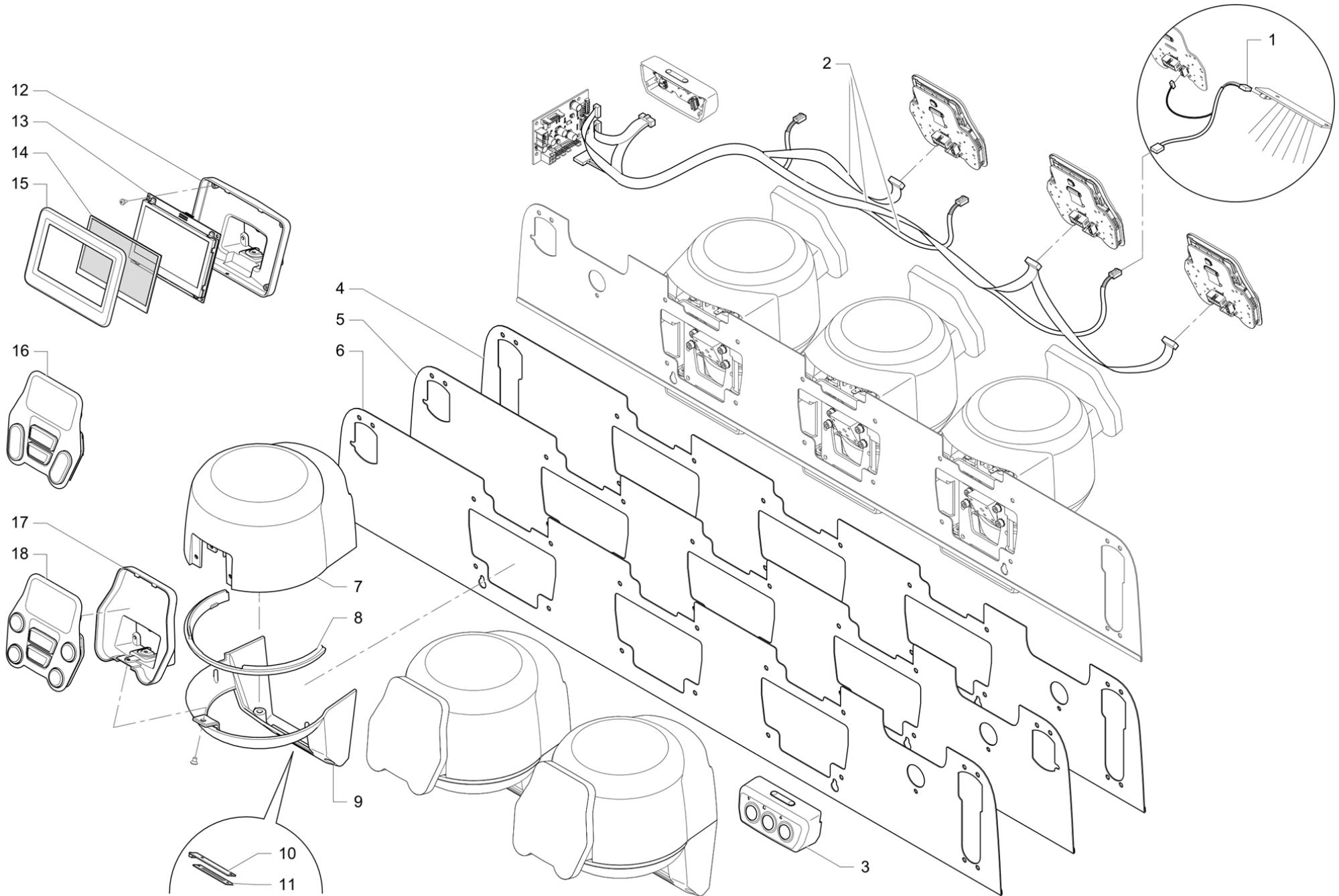
Pos	Part Number	Description	Validity	Notes
21	532394000	DRAINAGE TUBE L=2000		
22	711190000	BASIN GUARD 2GR		
22	711191000	BASIN GUARD 3GR		
22	711192000	BASIN GUARD 4GR		



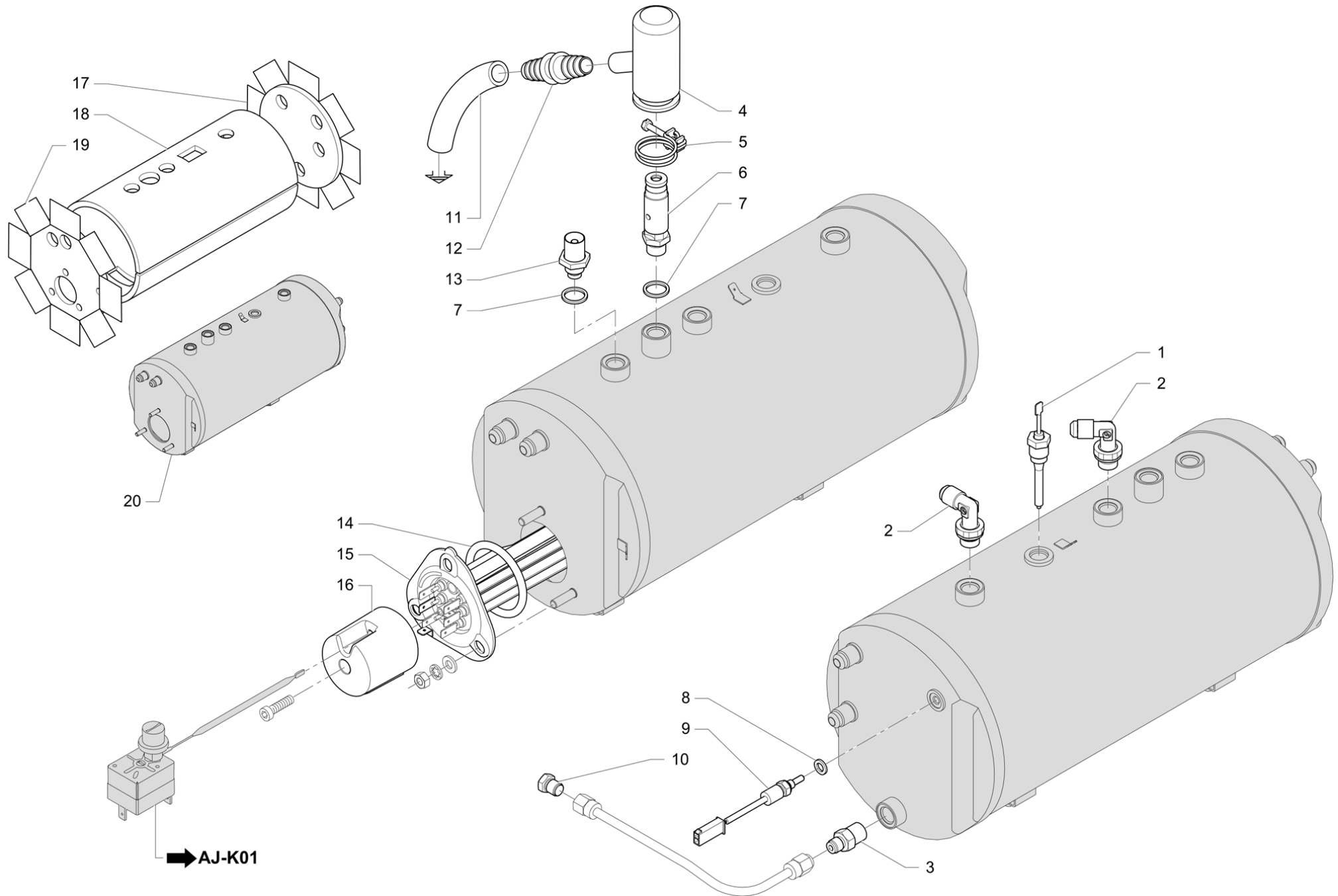
Pos	Part Number	Description	Validity	Notes
1	711556010	PANNELLO SX RETROILLUMINATO ROSSO		
1	711521010	PANNELLO SX RETROILLUMINATO RGB		
2	711122000	SIDE PANEL SPACER		
3	538163000	LED CONTROL BOARD RGB		
4	536317000	REAR LIGHT WIRING RED		
5	711520010	PANNELLO DX RETROILLUMINATO RGB		
5	711555010	PANNELLO DX RETROILLUMINATO ROSSO		
6	711522030	BACK-LIT PANEL 2GR		
6	711523030	BACK-LIT PANEL 3GR		
6	711519030	BACK-LIT PANEL 4GR		
7	711027024	UPPER REAR DIE PLATE 2GR	C:N	
7	711010024	UPPER REAR DIE PLATE 3GR	C:N	
7	711028024	UPPER REAR DIE PLATE 4GR	C:N	
9	711009014	LOWER REAR DIE PLATE 3GR	C:N	
9	711018014	LOWER REAR DRAWN WIRE 2GR	C:N	
9	711135014	LOWER REAR DRAWN WIRE 2GR RED	C:R	
9	711134014	LOWER REAR DRAWN WIRE 3GR RED	C:R	
9	711019014	LOWER REAR DRAWN WIRE 4GR	C:N	
9	711133014	LOWER REAR DRAWN WIRE 4GR RED	C:R	
10	536311020	RED LED CABLE RGB		



Pos	Part Number	Description	Validity	Notes
1	711152000	CUP HOLDER GRILLE		
2	711565000	RH CUP-WARMER PLATE WITH RESISTANCE		
3	711096010	CUP-WARMER PLATE		
4	711087040	2GR UPPER FRAME		
	≠ 711087030	UPPER FRAME 2GR		
4	711088030	UPPER FRAME 3GR		
4	711089030	UPPER FRAME 4GR		
5	711566000	2GR LH CUP-WARMER PLATE WITH RESISTANCE		
5	711567000	3GR LH CUP-WARMER PLATE WITH RESISTANCE		
5	711568000	4GR LH CUP-WARMER PLATE WITH RESISTANCE		
6	711097010	LH CUP-WARMER PLATE 2GR		
6	711098010	LH CUP-WARMER PLATE		
6	711099010	LH CUP-WARMER PLATE 4GR		
7	711201000	CUP-WARMER COUNTER-PLATE NSF 2R	N:NSF	
7	711200000	CUP-WARMER COUNTER-PLATE NSF 3GR	N:NSF	
7	711202000	CUP-WARMER COUNTER-PLATE NSF 4R	N:NSF	

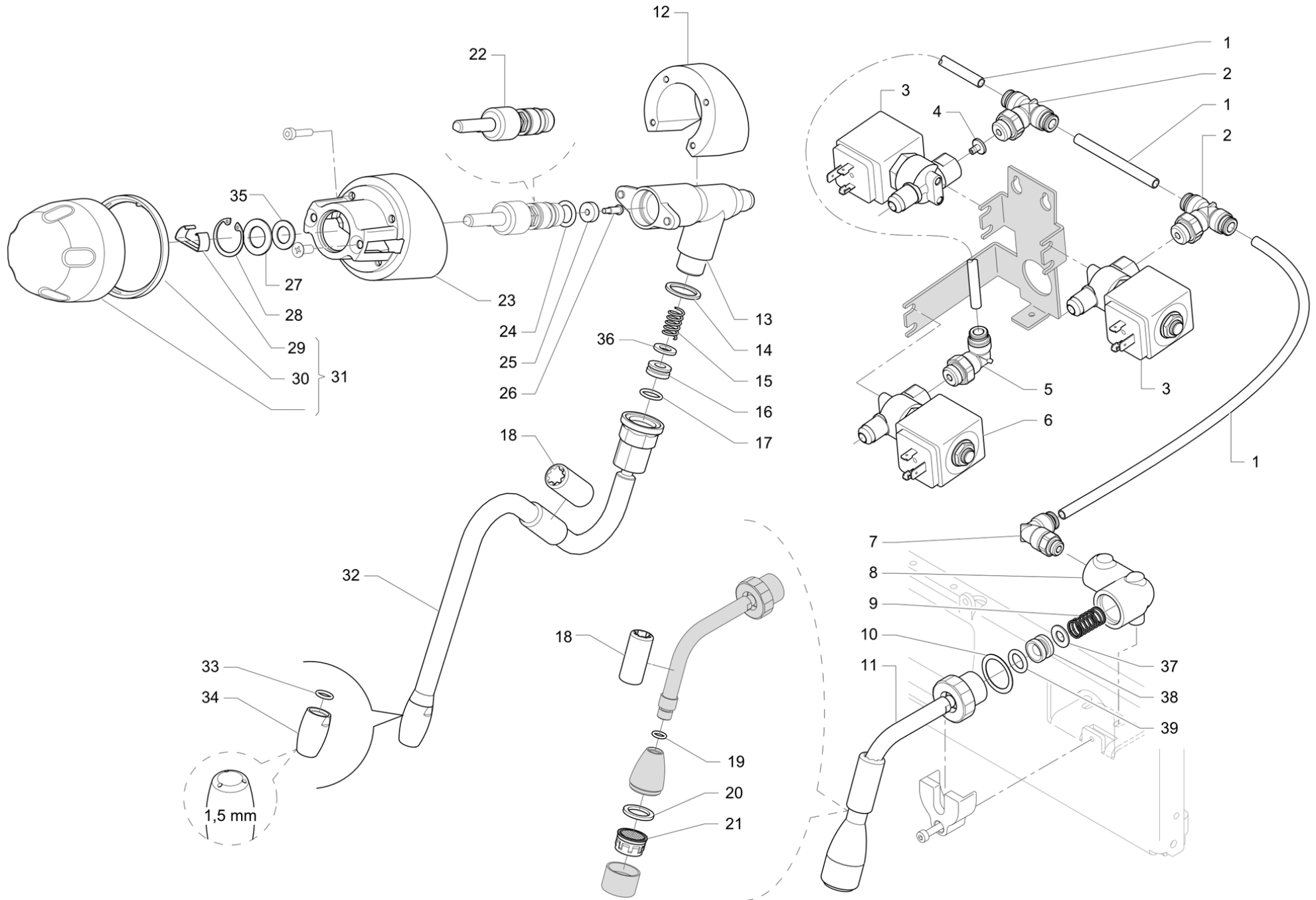


Pos	Part Number	Description	Validity	Notes
1	535997000	WIRING ADD LED BUTTONS		
1	536275000	E71 TOUCH LED CABLE		
2	536320000	Display cable LED 2/3GR		
2	536291010	Display cable LED 4GR		
3	711702010	WATER BUTTON PAD M200		
4	711094010	UPPER PARTITION TS-TS 2GR		
4	711093010	UPPER PARTITION TS-TS 3GR		
4	711095010	UPPER PARTITION TS-TS 4GR		
5	711052010	GTA 3GR STEAM UPPER PARTITION		
5	711085010	UPPER STEAM PARTITION GTA 2GR		
5	711086010	UPPER STEAM PARTITION GTA 4GR		
6	711091010	VAP-TS 2GR UPPER PARTITION		
6	711090010	VAP-TS 3GR UPPER PARTITION		
6	711092010	VAP-TS 4GR UPPER PARTITION		
7	711055017	BOILER UPPER CASING		
8	711056010	DECORATION		
9	711057007	BOILER LOWER CASING		
10	538048010	LED BOARD WITH MOULDED GLASS FOR GR.		
11	983159000	GROUP LIGHT GLASS		
12	711012017	TOUCH BUTTON PAD HOLDER		
13	711815000	DISPLAY (E+L) C/VETRINO M200 RIC.		
14	983296000	DISPLAY GLASS WITH SPONGE		
15	711545010	TOUCH DISPLAY GUARD CLOSURE		
16	711506000	BUTTON PAD - 4 BUTTONS M200		
17	711014007	KEYPAD CASING		
18	711507000	BUTTON PAD - 6 BUTTONS M200		

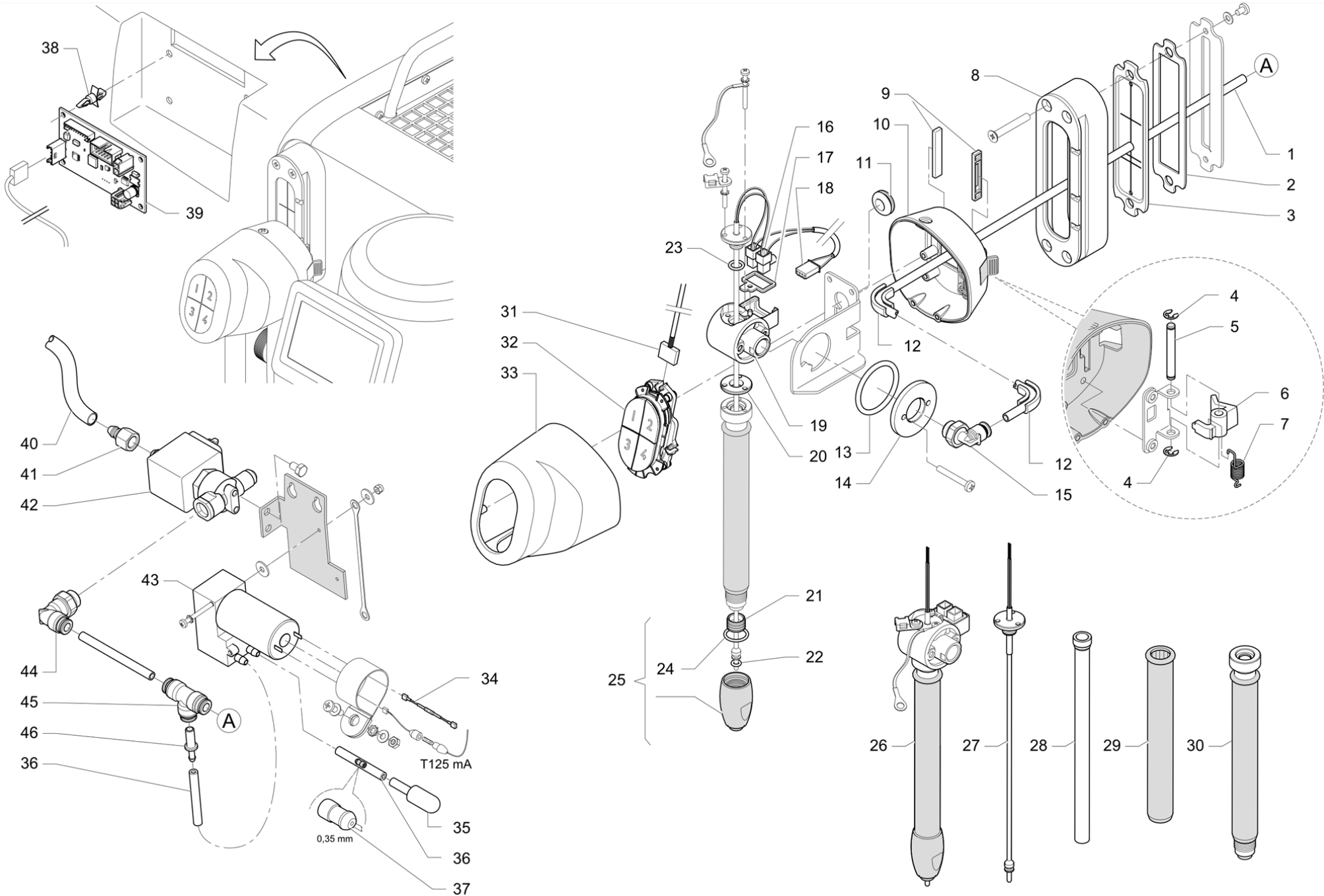




Pos	Part Number	Description	Validity	Notes
1	959714000	COMPLETE LEVEL PROBE		
2	532660830F	ELBOW CONNECTOR 1/4		
3	532501510R	SERTO STRAIGHT CONNECTOR 1100-6-1/4		
4	966492000	SAFETY VALVE PROTECTION		
5	532746200	CABLE TIE-RAPS WITH SCREW		
6	532392500	SAFETY VALVE 1,9 1/4G		
7	401250010	GASKET § 17,9X14,2X1,5		
8	401235020	GASKET 11X6,5X1,5		
9	531194810	COFFEE BOILER PROBE		
10	940077000	SCREW -1/8		
11	220000017	SILICONE PIPE D 10X15		
12	532601000	HOSE ADAPTOR		
13	418941020	AS.VALVOLA ANTIRISUCCHIO		
	⇒ 418941010	ANTI-UNDERTOW VALVE ASS.		
14	402277000	OR 46.99 X 5.33 VITON (550600710)		
15	983570000F	230 V 3600 W ELECTRIC RESISTOR		
16	956160010	BOILER RESISTOR GUARD		
17	983188020	LH BOILER INSULATION E71		
18	711107000	BOILER INSULATION		
19	983187030	RH BOILER INSULATION		
	⇒ 983187020	RH BOILER INSULATION E71		
20	711569000F	BOILER		

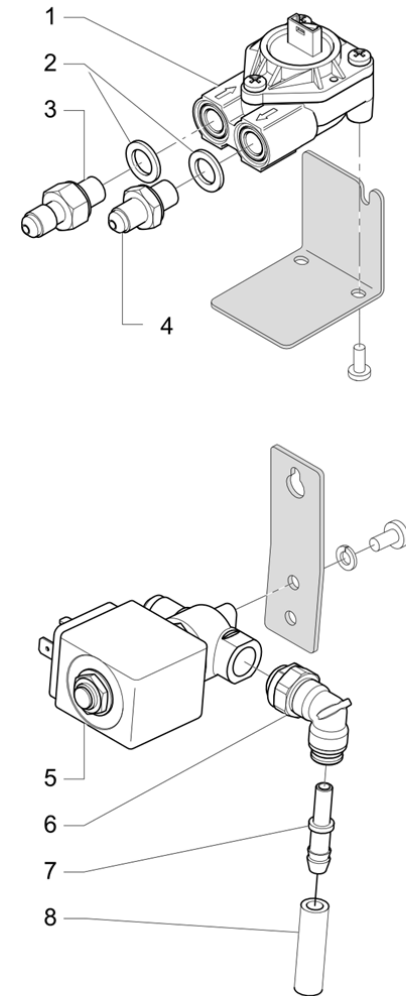
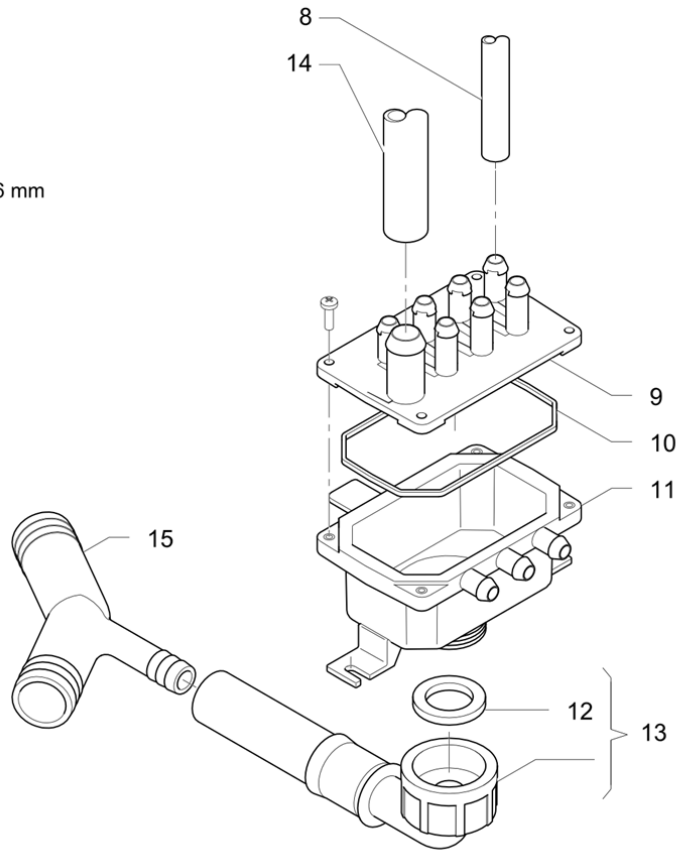
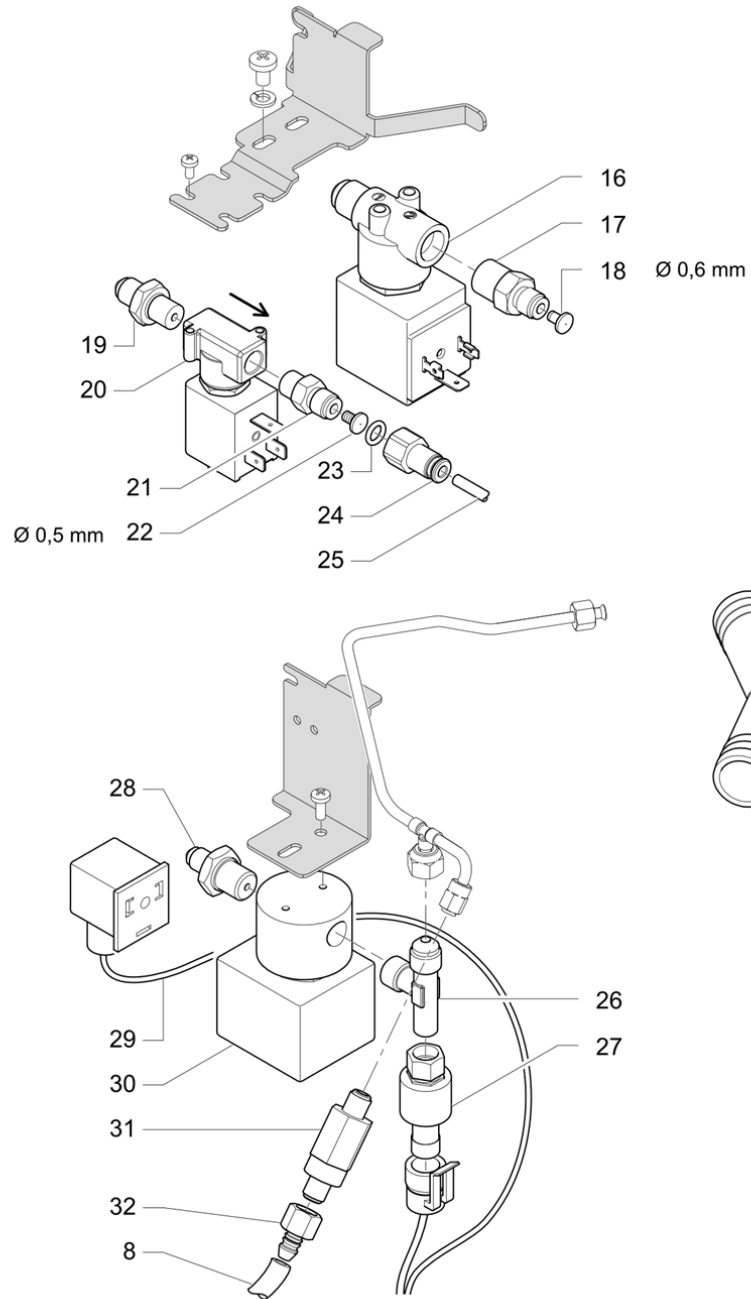


Pos	Part Number	Description	Validity	Notes
1	220000022	RISLAN PIPE 4X6		
2	532657200	CONNECTOR 1/4		
3	533906800F	SOLENOID VALVE 2/2 Ø 2.5 1/4		
4	710263000F	NOZZLE diam 0.8		
5	532656100	G1/4 M RUBB.CONN.		
6	533906900F	SOLENOID VALVE 2/2 Ø 5 1/4		
7	532656000	G1/8 M RUBB.CONN.		
8	710296005F	WATER TAP BODY		
9	418014000	SPRING FOR VALVE		
10	400335010	GASKET 21X24,5X1,5		
11	711803010F	STAINLESS STEEL ANTI-ROTATION WAND		
12	711064000	FIXING RING		
13	978566020F	ASSIEME RUBINETTO ACQUA DIRITTO NSF 372		
	⇒ 978566010F	WATER TAP NSF		
14	401183010	GASKET 22X17X1,5 INLET VALVE		
15	485061010	STAIN LESS STEEL SPRING		
16	485078010	GASKET		
17	401204000	GASKET		
18	430119010	SLEEVE		
19	402210000	O-RING GASKET 6,75 X 1,78 NF		
20	402320000F	21X15X2 NSF SEAL		
21	532305000	FILTER		
22	956855000F	ROD ASSY WITH SEAT FOR SEAL		
23	711063007	STEAM DISPENSER SUPPORT		
24	402219000	O-RING 10,78X2,62 NF		
25	402321000F	TAP SEAL		
26	590791010	SCREW		
27	590715000	WASHER 22,15 X 1,2		
28	568101000	RING SEEGER		
29	485154000	CLIP		
30	711062000	STEAM KNOB RING		
31	711701020	STEAM KNOB M200		
	⇒ 711701010	STEAM KNOB M200		
32	985915020	COLD TOUCH STEAM WAND		
33	402223010	GASKET, OR 7.65X1.78 TS PROBE		
	⇒ 402223000	O-RING 7,65X1,78 TS PROBE		
34	913438000	STEAM NOZZLE		
35	560484170	WASHER 8,4		
36	560474140	WASHER S.S.		
37	485336000F	FLAT WASHER		
38	4161132346	BUSH IN TEFLON		
39	402206000	GASKET		



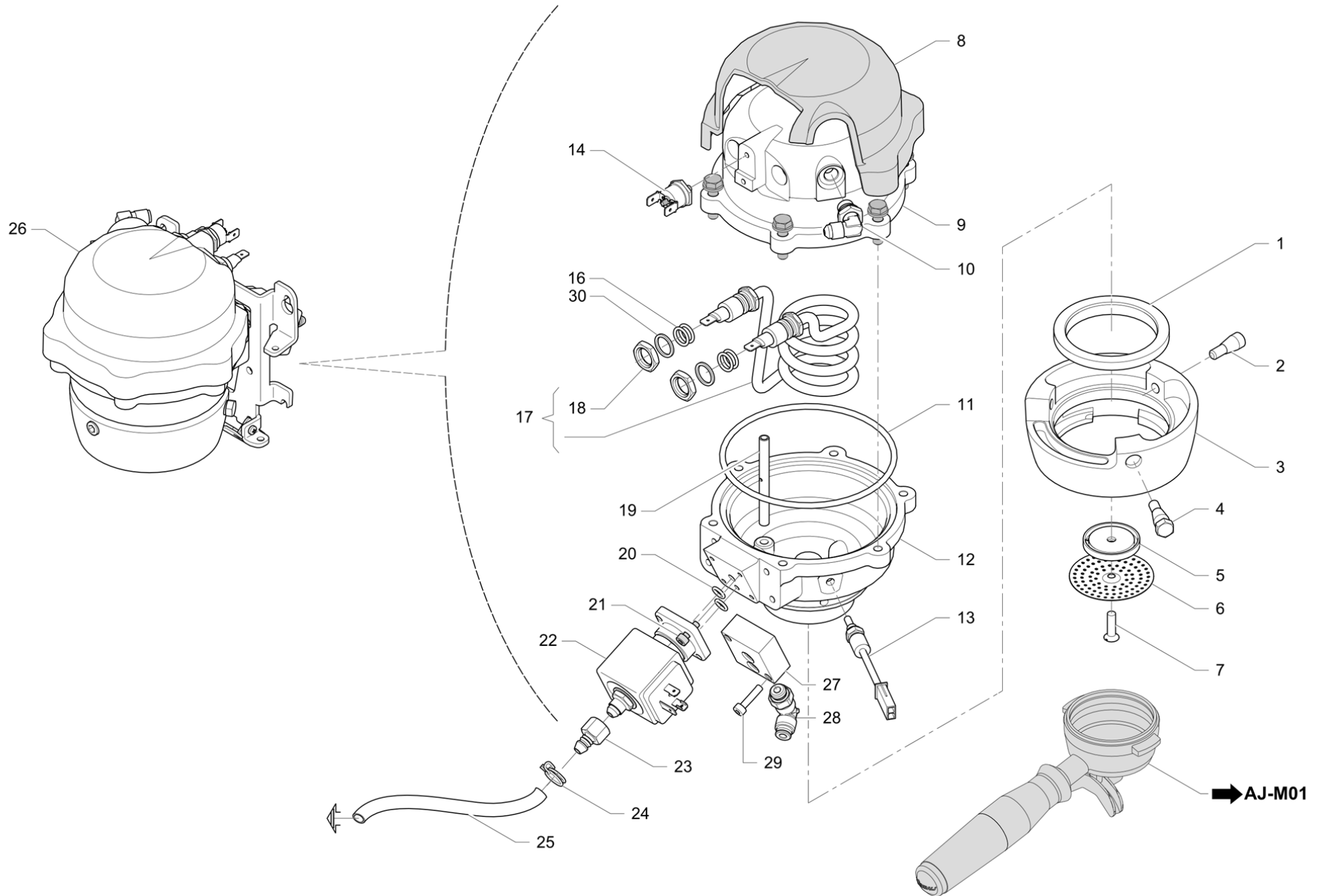
Pos	Part Number	Description	Validity	Notes
1	220000022	RISLAN PIPE 4X6		
2	711081000	GASKET RETAINER		
3	711071000	SLIDE CLOSURE GASKET TS		
4	568804000	A2 D4 UNI 7434 RADIAL INOX RING		
5	711080000	BUTTON SHAFT		
6	711072007	CASING MOVEMENT RELEASE BUTTON		
7	711079000	BUTTON RECALL SPRING		
8	711067007	SLIDE CASING TS		
9	711083000	GUIDE		
10	711066007	REAR CASING TS		
11	532150900	FAIRLEAD		
12	966026000	TUBE BENDER		
13	402186010	OR 34.52X3.53 PLATIN. GASKET		
14	947203000	LH ROTATION CYLINDER TS LH		
15	532660200F	ELBOW JOINT 1/4 M D.6 F ADJUST.		
16	532149500	TERMINAL		
17	485291000	CLAMP		
18	431570010	SHIELDED CABLE		
19	485334000F	LH TS JOINT		
20	495334010	TUBE UPPER SEAL FLANGE 10		
21	495331000	LOWER SEAL FLANGE		
22	402250010	OR 3.68X1.78 VITON NSF		
	⇒ 402250000	GASKET 3,68 X 1,78 INTERMEDIATE TS		
23	402223010	GASKET, OR 7.65X1.78 TS PROBE		
	⇒ 402223000	O-RING 7,65X1,78 TS PROBE		
24	402218000	GASKET 14X1.78 NF		
25	985757000	BULB TERMINAL ASSY TSCT SP.PARTS		
26	711980020	ASS. COMPONENTI LANCIA TS P294		
	⇒ 711980000	WAND COMPONENTS TS		
27	985513000	TSCT SHORT THERMOCOUPLE		
28	985505020F	COAXIAL TUBE TSCT 10 - SHORT		
29	495335000	EXTERNAL GUARD		
30	985509020F	TSCT TUBES - SHORT		
31	536290010	RH CABLE TS		
31	536306010	LH CABLE TS		
32	710555000	AUTOSTEAM BUTTON PAD		
33	711065007	FRONT CASING TS		
34	535918000	AXIAL INDUCTANCE 7uF ? 6A		
35	534600300	SILENCER		
36	220000013	SILICONE PIPE D 3X6		
37	956136010	COMPRESSOR NOZZLE DIAM. 0.35		
38	532729700	BOARD SUPPORT		
39	538155000	Turbosteam DC		
40	220000016	SILICONE PIPE D 6X10		
41	937055010	1/8 RUBBER HOLDER CONNECTOR		

Pos	Part Number	Description	Validity	Notes
42	533907500F	SOLENOID VALVE 3/2 Ø 3mm 1/4		
43	938897000	24 "TURBOSTEAM" COMPRESSOR		
44	532656100	G1/4 M RUBB.CONN.		
45	532664400F	T-SHAPED CONNECTOR		
46	934316000	§6 FAST UNION FOR PIPE 3X6		

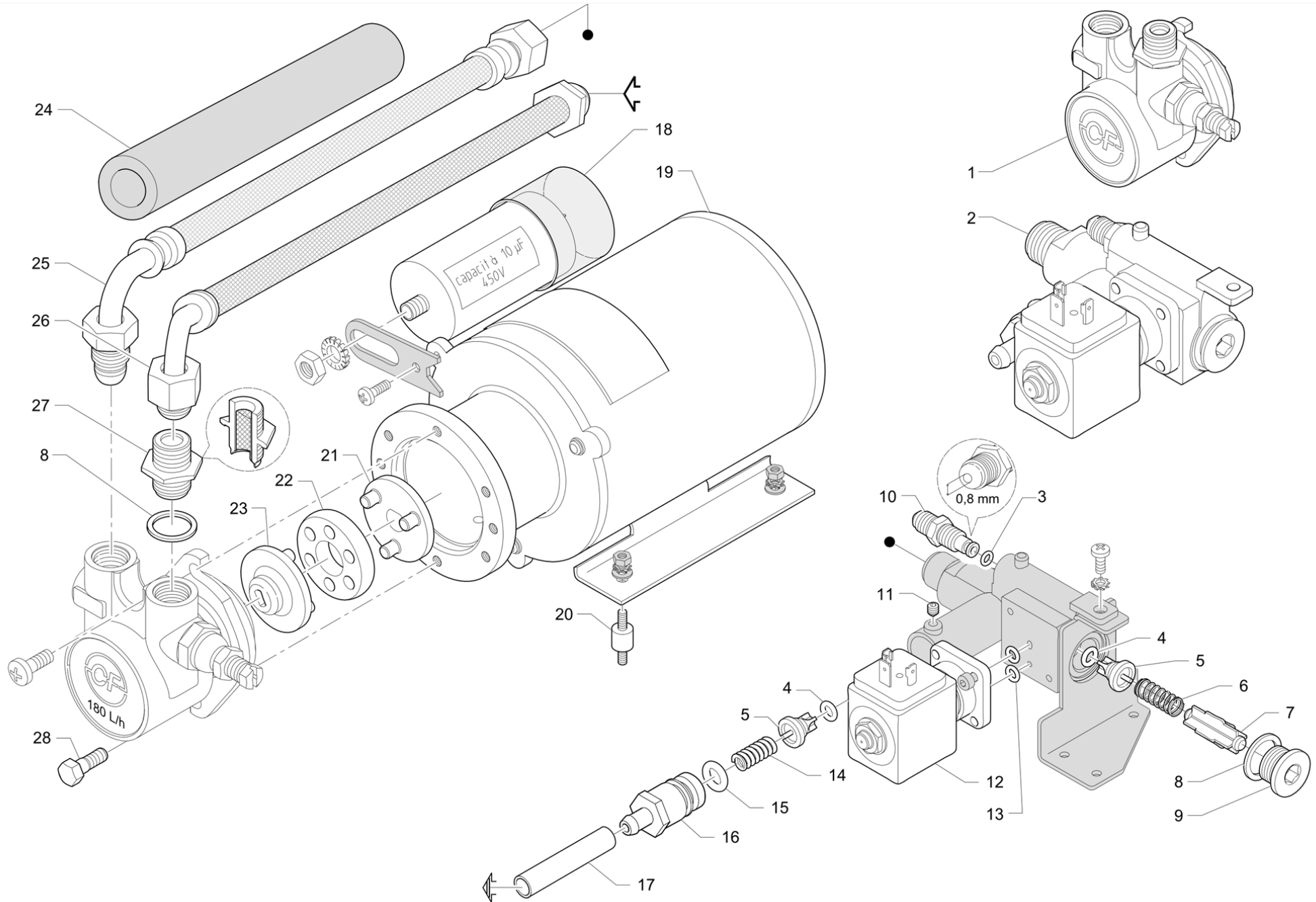


Pos	Part Number	Description	Validity	Notes
1	534393410F	VOLUMETRIC COUNTER		
2	402329000F	COPPER GASKET 16 X 10 X 1.5		
3	958365000F	NIPPLE 1/8 X 1/8" H=10.		
4	958366000F	NIPPLE 1/8 X 1/8		
5	533906800F	SOLENOID VALVE 2/2 Ø 2.5 1/4		
6	532656100	G1/4 M RUBB.CONN.		
7	934168010	HOSE ADAPTOR FOR QUICK CONNECTION		
8	220000016	SILICONE PIPE D 6X10		
9	710180000	DRAINAGE COLLECTION CAP		
10	710361000	GUARNIZIONE MONOADESIVA SP. 3mm		
11	710549000	DRAINAGE CONVEYOR		
12	532600600	GASKET		
13	532390600	DRAIN PIPE		
14	220000017	SILICONE PIPE D 10X15		
15	710294000	Y DRAINAGE JOINT		
16	533904210F	SOLENOID VALVE 2/2		
	⇒ 533904200F	EV 2/2		
17	532501510R	SERTO STRAIGHT CONNECTOR 1100-6-1/4		
18	920041000	NOZZLE § 0,6MM NF		
19	958366000F	NIPPLE 1/8 X 1/8		
20	533897810	2-WAY SOLENOID VALVE 1/8G 24V DC SMALL B		
21	532501810R	SERTO 1/8 CONNECTOR		
22	931033010	NOZZLE § 0,5MM INOX		
23	402262000	GASKET 6,07 X 1,78		
24	532663000F	CONNECTOR		
25	220000021	TEFLON TUBE D 2,5X4		
26	949003005F	T INTERMEDIATE -1/4 CON-1/4 ENV-M10x1.2		
	⇒ 949003008	T INTERMEDIATE -1/4 CON-1/4 ENV-M10x1.2		
27	531195910	PRESSURE SENSOR		
28	947096000	CONICAL -1/8" NIPPLE 1/4" STAINLESS STEE		
29	536309000	HD CABLE 2 & 3 GR		
29	536310000	HD CABLE 4 GR		
30	533900120	PROPORTIONAL SOLENOID VALVE		
31	532392810	EXPANSION VALVE 15 bar 1/8GAS		
32	937055010	1/8 RUBBER HOLDER CONNECTOR		

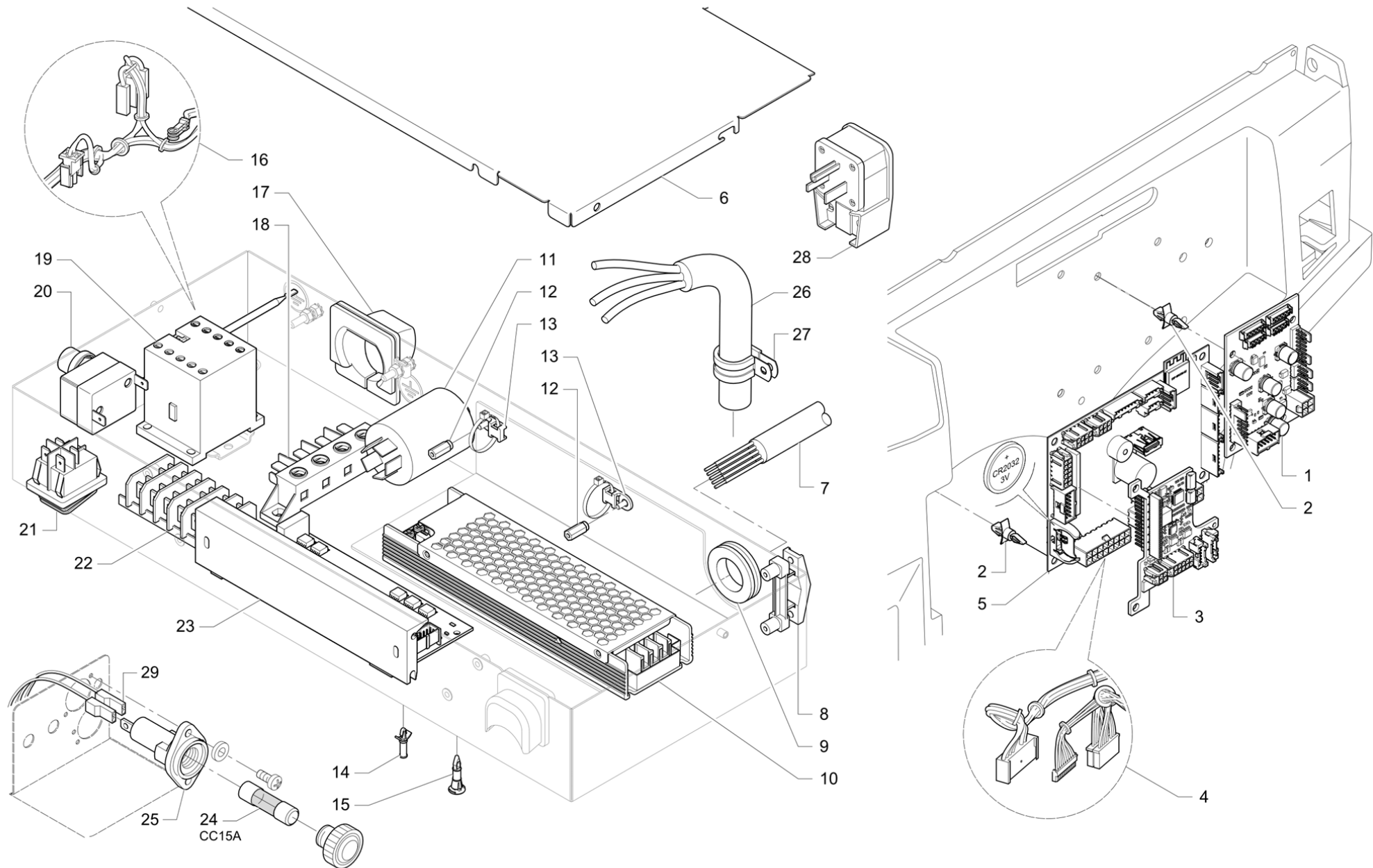




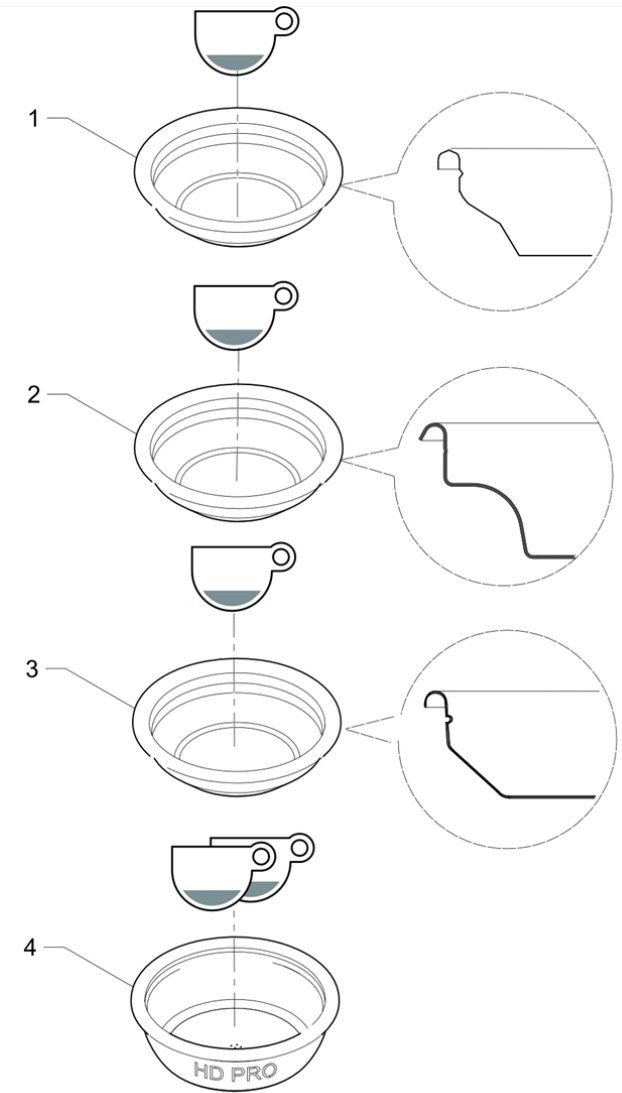
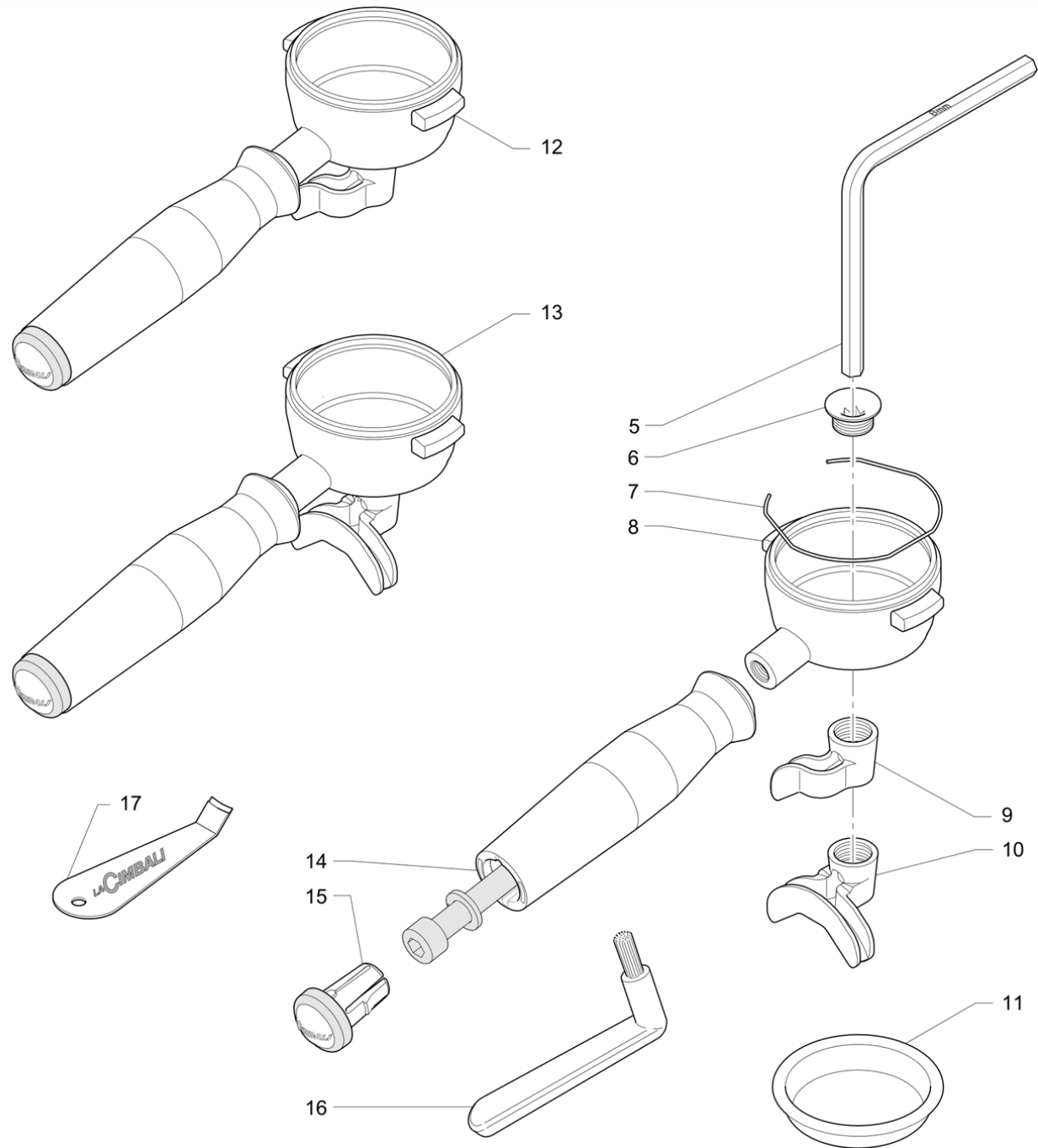
Pos	Part Number	Description	Validity	Notes
1	401261010	GROUP GASKET		
2	593811010	SCREW		
3	457299027	OCT. CHROME GROUP BELL		
4	593815010	SCREW		
5	457400005F	SHOWER DISC		
6	947306000F	LA CIBALI COMPETITION SHOWER		
7	503605180	5X18 TSV SCREW		
8	983232000	BOILER INSULATOR		
9	537056810	HIGH BOILER SEMIBODY		
10	532662710F	ELBOW CONNECTOR 1/8 CARTRIDGE		
11	401224000	BOILER GASKET		
11	402325010F	OR 101.19x3.53 NSF		N:NSF
	⇌ 402325000F	OR 101.19x3.53 NSF		N:NSF
12	457403005F	LOWER SEMIBODY		
13	531194810	COFFEE BOILER PROBE		
14	531197300	CERAMIC THERMOSTAT 145°C		
16	402333000F	OR 9.25X1.78 NSF		
17	537056500	RESISTOR 1300W 220		
17	537056600	1300W 220V RESISTOR WITH RUVECO		N:NSF
18	590128010	COUNTER NUT 1/4		
19	955003010	PIPE		
20	530501200	OR 2025		
21	511804120	S.S. M4X12 VTCE SCREW		
22	533896510R	3-WAY SOLENOID VALVE 24V		
23	937055010	1/8 RUBBER HOLDER CONNECTOR		
24	532742200	DOUBLE CABLE TIE-RAPS		
25	220000016	SILICONE PIPE D 6X10		
26	711711000	BOILER		
26	711742000	BOILER		N:NSF
26	711974000	GT2 COMPLETE BOILER		
26	711741000	BOILER GT2 UL-NSF		N:NSF
27	711176000F	SOLENOID VALVE BLOCK GT-2		
28	532655900	G1/8 M RUBB.CONN.		
29	4004041918	SCREW M4X25		
30	401214000	GASKET		



Pos	Part Number	Description	Validity	Notes
1	533180010	180 L/h VOLUMETRIC PUMP INOX W/FILTER		
2	751700000	GRUPPO VALVOLE 24V cc		
	⇒ 711811000	COMPLETE LOAD BLOCK		
3	402250010	OR 3.68X1.78 VITON NSF		
	⇒ 402250000	GASKET 3,68 X 1,78 INTERMEDIATE TS		
4	402314000	OR 7.59x2.62 EPDM 75.5 INLET		
5	958231005F	MINI-VALVE		
6	958071000	SPRING FOR VALVE		
7	958073000	SPACER		
8	401183010	GASKET 22X17X1,5 INLET VALVE		
9	457347010	3/8 GAS EXAGONAL INOX CAP		
10	958367000F	NIPPLE 1/8 X 1/8 NOZZLE 0.8		
11	512904050	S.S. M4X5 SCREW		
12	533907400F	SOLENOID VALVE 2 NORMALLY CLOSED		
13	530501200	OR 2025		
14	958075010	SPRING FOR VALVE		
15	401190000	O-RING 12,37X2,62 EPDM INLET		
16	958076000	ADJUST. SCREW		
17	220000016	SILICONE PIPE D 6X10		
18	531494300	METAL. COND. 10 uF DUCATI 416.33.27		
18	531492900	CAPACITOR 10mF	N:UL	
19	530298120	PUMP 220/50 HORIZ. MOTOR		
19	530299600	PUMP 220/50 HORIZ. MOTOR UL	N:UL	
20	4741133394	RUBBER ANTIVIBRATION		
21	4821023082	MOTOR JOINT		
22	4081021923	RING		
23	4821108987	PUMP JOINT		
24	462327000	INSULATING MEMBRANE		
25	3951117886	COMPREHENSIVE PIPE		
25	532304400	VALVE BLOCK-PUMP TUBE NF	N:NSF	
26	3951130515	PIPE 3/8X 3/8 120øMM 2200		
26	532304300	PIPE 3/8 NF	N:NSF	
27	981153000	3/8GAS NIPPLE W/FILTER		
28	4004136622	SCREW M6		



Pos	Part Number	Description	Validity	Notes
1	947987010	LIGHT AND TURBOSTEAM SUPPORT CARD		
2	532729700	BOARD SUPPORT		
3	538162000	IDEA EXPANSION BOARD		
4	536305010	Main cable - 2 & 3GR GTI		
4	536281010	Main cable - 4 GR GTI		
5	537067500	CPU BOARD		
6	710126011	ELECTRIC BOX COVER		
7	421214000	WIRE		
7	910414010	MAIN CABLE 4X3,5	M:JP	
7	946296000	SUPPLY CABLE 5x1.5mm2	N:KTL	
8	532123300	CORD FIXING LOCK		
9	532178600	PVC FAIRLEAD		
10	538165000	POWER SUPPLY		
11	531404200	PHASE FILTER 115/250V 50/60 Hz		
12	532732900	SPACER M3XH.14 F/F		
13	532141400	CABLE SUPPORT		
14	532174700	SPACER FOR ELECTRONIC BOARD		
15	532174600	SPACER		
16	536300000	Electric box wiring 2 & 3GR		
16	536304000	Electric box wiring 4 GR		
17	711059000	CABLE GROMMET		
18	532161500	TERMINAL BOARD		
19	531503520	CONTACTOR 4P 220/240V		
19	531508600	MINI-COUNTER 20A 200V 50/60Hz	M:JP	
20	531194720	SFTY. THERMOSTAT		
21	532024500	SWITCH		
21	532091300	GREEN BIPOLAR SWITCH	N:KTL	
22	532175700	TERMINAL BOARD		
23	713741000	TRIAC BOARD		
24	530112200	FUSE CC15 A	N:UL	
25	530111000	FUSE HOLDER	N:UL	
26	530191800	SINGLE-PHASE SUPPLY CABLE UL 3X8 AWG L=2	N:UL	
27	532170400	FIXCABLE	N:UL	
28	532169500	UL PLUG	N:UL	
29	535982000	FUSES ADAPTOR	N:UL	

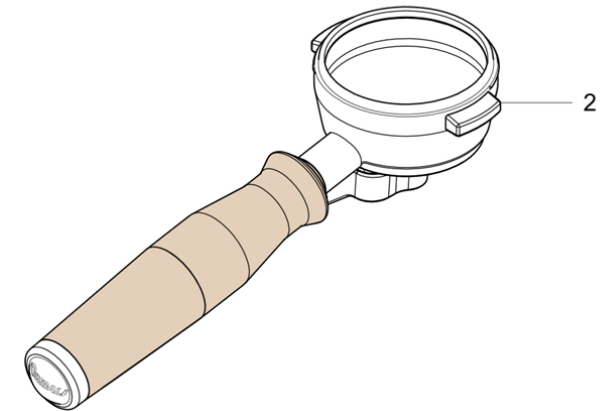
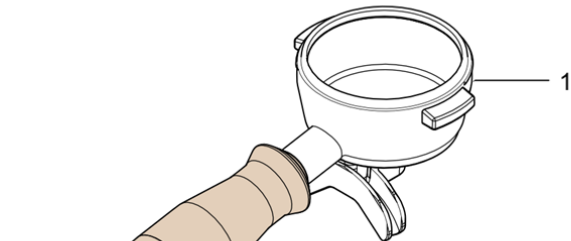
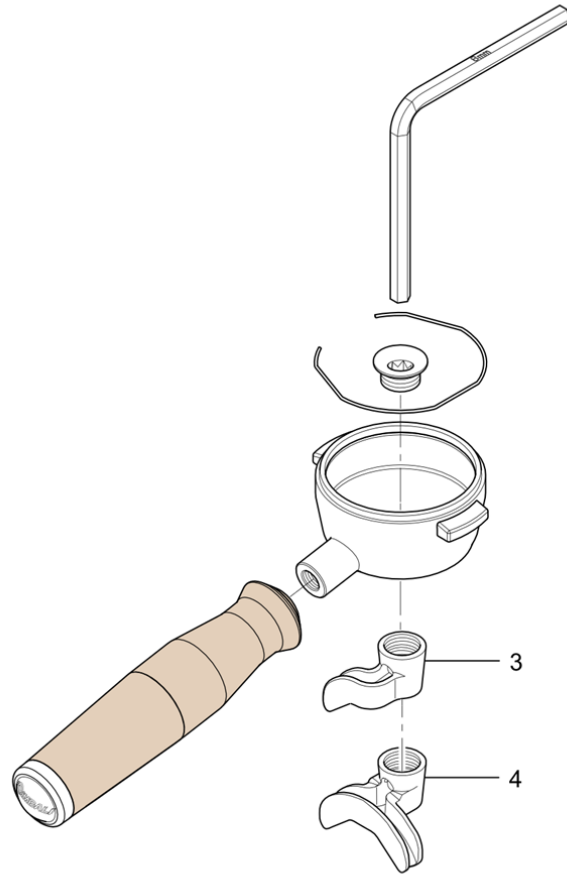


Pos	Part Number	Description	Validity	Notes
1	457163000	1 CUP FILTER		
2	457249010	1 CUP FILTER		
3	457232000	FILTER 1 COFFEE		
4	457372000	2-DOSE FILTER (HD PRO)		
5	629000300	8" ALLEN KEY		
6	457443000F	SPOUT SHORT SCREW		
7	458101000	SPRING FILTERHOLDER		
8	457435000F	STAINLESS STEEL FILTER HOLDER BODY		
9	457441000F	STAINLESS STEEL 1-WAY SPOUT		
10	457439000F	STAINLESS STEEL 2-WAY SPOUT		
11	800021902	SHOWER WASCHER BLIND FILTER		
12	957851010F	STAINLESS STEEL/DESMO 1-WAY FILTER-HOLDE		
13	957850010F	STAINLESS STEEL/DESMO 2-WAY FILTER-HOLDE		
14	457588010	DESMOPAN FILTER-HOLDER GRIP		
15	457592000	CAP		
16	457062020	BELL CLEANING BRUSH		
17	629000770	CIBALI FILTER REMOVAL LEVER		



Per i particolari non codificati vedere la tabella  
 Pour les pièces détachées pas codifiées se référer aux vues éclatées  
 For the parts not listed, please refer to the table  
 Bezüglich der nicht kodifizierten Ersatzteile bitte die Tabelle verwenden  
 Por los repuestos no codificados rogamos de utilizar la tabula  
 Pelos particulares no codificados outar as tabela

➔ AJ-M01



Pos	Part Number	Description	Validity	Notes
1	957847010F	CIMBALI STAINLESS STEEL/WOODEN 2-WAY FIL		
2	957848010F	CIMBALI STAINLESS STEEL/WOODEN 1-WAY FIL		
3	457441000F	STAINLESS STEEL 1-WAY SPOUT		
4	457439000F	STAINLESS STEEL 2-WAY SPOUT		

*LA Cimbali*