

Traditional coffee machines



E71E

INDEX

E71E - Generic table	3
PRIMARY SPARE PARTS	8
Hydraulic circuit	9
Coachwork	11
Coachwork	13
Control panel	15
Cups-warmer	18
Cups-warmer	20
Boiler Equipment	22
Water and Steam Taps	24
Hydraulic components	27
Brewing group	29
Brewing group INOX	32
Volumetric pump	34
Electrical box	37
E71E IDEA - ELECTRICAL BOX	39
Filterholders and filters	41

Filterholders and filters	43
Filterholder WOOD	45
Filterhalter WOOD	47
Filterholder WOOD NAKED	49

Pos	Part Number	Description	Validity	Notes
-	995807030F	TOUCH STEAM WAND		
	⇌ 983972000F	TOUCH STEAM WAND ASSEMBLY E71E 1.2mm		
-	983315004	E71E LOWER GROUP COVER		
	⇌ 983315007	COPRIGRUPPO INFERIORE E71E		
-	983316004	E71E UPPER GROUP COVER		
	⇌ 983316007	COPRIGRUPPO SUPERIORE E71E		
-	983320004	E71E RH STEAM GUARD		
	⇌ 983320007	CARTER VAPORE DX E71E		
-	983321004	E71E LH STEAM GUARD		
	⇌ 983321007	CARTER VAPORE SX E71E		
-	983354014	E71E LH REMOVABLE SIDE PANEL, BLACK		
	⇌ 983354004	FIANCO REMOVIBILE SX NERO E71E		
-	983353014	E71E RH REMOVABLE SIDE PANEL, BLACK		
	⇌ 983353004	FIANCO REMOVIBILE DX NERO E71E		
-	995830010	BOILER E71E		
	⇌ 983970000	ASSIEME BOILER E71E 600cc		
-	995952000	RH PANEL BLACK UPGRADE		
	⇌ 983349004	FIANCATA DX E71E		
-	995953000	LH PANEL BLACK UPGRADE		
	⇌ 983348004	FIANCATA SX E71E		
-	957859010F	FAEMA 1-WAY DESMOPAN/STAINLESS STEEL FIL		
	⇌ 983748010	E71 1-WAY FILTER-HOLDER ASS.		
-	957849010F	FAEMA DESMOPAN/STAINLESS STEEL FILTER-HO		
	⇌ 983749010	E71 2-WAY FILTER-HOLDER ASS.		
-	983874010F	E71 1-WAY NSF FILTER-HOLDER ASSY		
-	957849010F	FAEMA DESMOPAN/STAINLESS STEEL FILTER-HO		
	⇌ 983875010F	E71 2-WAY NSF 372 FILTER-HOLDER ASSY		
-	983886010F	HV E71 1-WAY FILTER-HOLDER ASS.		
-	957849010F	FAEMA DESMOPAN/STAINLESS STEEL FILTER-HO		
	⇌ 983887010F	HV E71 2-WAY FILTER-HOLDER ASS.		
-	983917010F	E71 1-WAY SPECIAL FILTER-HOLDER ASS.		
-	983954010F	FILTER HOUSING ASS.E71 2-WAY HV NSF		
-	983955010F	FILTER HOUSING ASS. E71 1-WAY HV NSF		
-	983294010	LH GRILLE E71 2/3GR		
	⇌ 983294000	LH GRILLE E71 2/3GR		
-	983293010	CENTRAL GRILLE E71 3GR		
	⇌ 983293000	CENTRAL GRILLE E71 3GR		
-	983295010	RH GRILLE E71 2/3 GR		
	⇌ 983295000	RH GRILLE E71 2/3 GR		
-	983365010F	SLEEVE FOR SPHERE		
	⇌ 983365000F	BUSSOLA PER SFERA		
-	983328020	BYPASS ADJUSTMENT SCREW		

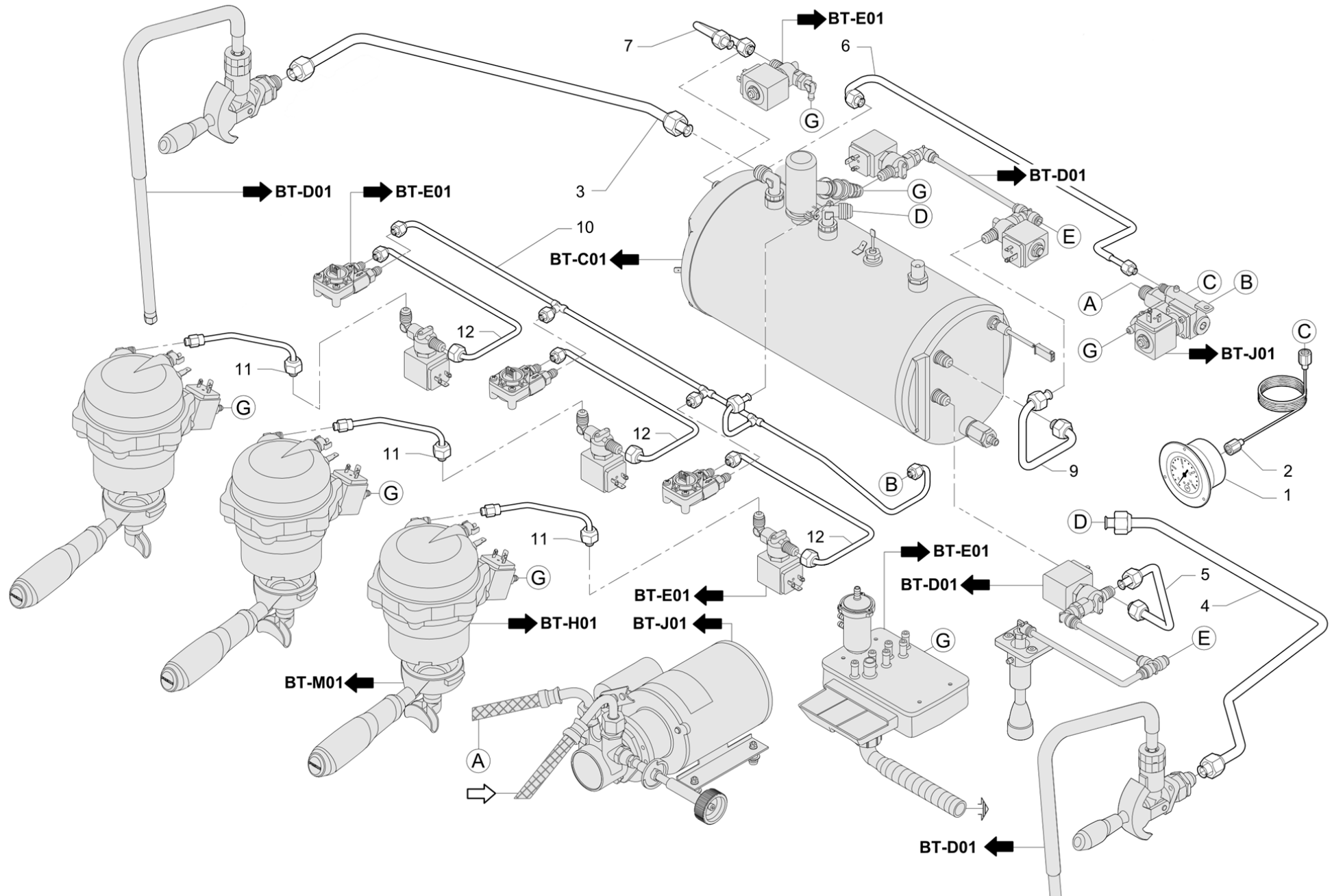
Pos	Part Number	Description	Validity	Notes
	⇌ 983328010	VITE REGOLAZIONE BYPASS		
-	949525000	SWITCHING POWER S.		
	⇌ 530990800	TRANSFORMER 24V DC		
-	532125000ZZ	6.3X0.8 CABLE FAST. CLAMP		
-	995830010	BOILER E71E		
	⇌ 983970000	ASSIEME BOILER E71E 600cc		
-	995842010	BOILER E71E NSF		
	⇌ 983994000	E71E 600cc NSF BOILER ASSEMBLY		
-	485200038	COVER FOR STEAM TUBE CONFIGURATION		
	⇌ 485200028	FITTING		
-	485200038	COVER FOR STEAM TUBE CONFIGURATION		
-	995807030F	TOUCH STEAM WAND		
	⇌ 983972000F	TOUCH STEAM WAND ASSEMBLY E71E 1.2mm		
-	983330010	E71E STEAM CONNECTOR COVER		
	⇌ 983330000	E71E STEAM CONNECTOR COVER		
-	537059410	NEWTON CPU BOARD		
	⇌ 537059400	NEWTON CPU BOARD		
-	983387010	WOOD STEAM GRIP		
-	983323021	RH BOILER SUPPORT BRACKET E71E		
	⇌ 983323011	RH BOILER SUPPORT BRACKET		
-	983322021	LH BOILER SUPPORT BRACKET E71E		
	⇌ 983322011	LH BOILER SUPPORT BRACKET		
-	532660740F	ADJUSTABLE 1/8 ELBOW CONNECTOR		
	⇌ 532660720F	ADJUSTABLE 1/8 ELBOW CONNECTOR		
-	947987010	LIGHT AND TURBOSTEAM SUPPORT CARD		
-	983115031	ELECTRIC BOX COVER UL		
	⇌ 983115021	ELECTRIC BOX COVER UL		
-	937055010	1/8 RUBBER HOLDER CONNECTOR		
-	783060000F	SPRAYHEAD WITH REINFORCED MEMBRANE		
	⇌ 983560010F	SHOWER		
-	537061600	3-KEY BUTTON PAD DISPLAY		
	⇌ 983992000	E71E 3 BUTTONS DISPLAY ASSY		
-	537061700	5-KEY BUTTON PAD DISPLAY		
	⇌ 995702000	5 BUTTON DISPLAY E71E		
-	983578000	GROUP LIGHT CARD ASSY		
-	983231010	DISPLAY CLOSURE CAP		
-	983259010	UL DISPLAY CLOSURE CAP		
-	983449000	GLASS - 2 GROUPS		
-	983450000	GLASS - 3 GROUPS		
-	983438004	LOW. REAR PAN. 3GR BLACK		
-	983437004	LOW. REAR PAN. 2GR BLACK		
-	983472004	LOW. REAR PAN. 2GR WHITE		
-	983468004	RH PANEL - WHITE UPGRADE		
-	983470004	LEFT PANEL - WHITE UPGRADE		
-	983476004	LOW. REAR PAN. 3GR WHITE		

Pos	Part Number	Description	Validity	Notes
-	995952000	RH PANEL BLACK UPGRADE		
-	995953000	LH PANEL BLACK UPGRADE		
-	949525000	SWITCHING POWER S.		
-	983132010	SIDE PANEL FIXING PIN		
-	995807030F	TOUCH STEAM WAND		
	⇌ 995807010F	1.2 TOUCH STEAM WAND		
-	995893020F	TOUCH STEAM WAND E71E 1.2mm UL NSF		
	⇌ 995893010F	NSF 1.2 TOUCH STEAM WAND		
-	981153000	3/8GAS NIPPLE W/FILTER		
-	983845020	E71 NEW TOUCHSCREEN DISPLAY		
-	995815000	REAR PANEL RETROILL 2GR		
-	995816000	REAR PANEL RETROILL 3GR		
-	983565010	STEAM TAP CAM		
-	629000300	8" ALLEN KEY		
-	457443000F	SPOUT SHORT SCREW		
-	457476000F	STAINLESS STEEL 1-WAY SPOUT WITH NOTCH		
-	957849010F	FAEMA DESMOPAN/STAINLESS STEEL FILTER-HO		
-	957866000F	STAINLESS STEEL/DESMO 1-WAY FILTER-HOLDE		
-	957846010F	FAEMA STAINLESS STEEL/WOODEN 2-WAY FILTE		
	⇌ 957846000F	2-WAY FILTER-HOLDER* S.STEEL/WOOD FAEMA		
-	957858010F	FAEMA STAINLESS STEEL/WOODEN 1-WAY FILTE		
	⇌ 957858000F	1-WAY FILTER-HOLDER* S.STEEL/WOOD FAEMA		
-	957859010F	FAEMA 1-WAY DESMOPAN/STAINLESS STEEL FIL		
-	537059410	NEWTON CPU BOARD		
-	983308020F	LH STEAM TUBE 2GR		
	⇌ 983308010F	LH STEAM pipe 2GR		
-	983308028F	LH STEAM TUBE 2GR NSF		
	⇌ 983308018F	LH STEAM pipe 2GR NSF		
-	983397007	E71E CHROME-PLATED UPPER GROUP COVER		
-	983517020	LIGHTS PANEL - 2 GROUPS		
-	983556030F	ASSIEME CORPO RUBINETTO E71 NEW NSF 372		
	⇌ 983556020F	TAP BODY NSF		
-	979005005F	LOWER SEMI-BODY W/DISPENSER DISC CLB		
-	537056810	HIGH BOILER SEMIBODY		
-	983186030	BOILER INSULATION		
-	983845030	NEW TOUCHSCREEN DISPLAY		
-	983115031	ELECTRIC BOX COVER UL		
-	903995020	WATER/STEAM VALVE		
-	958231005F	MINI-VALVE		
-	534393410F	VOLUMETRIC COUNTER		

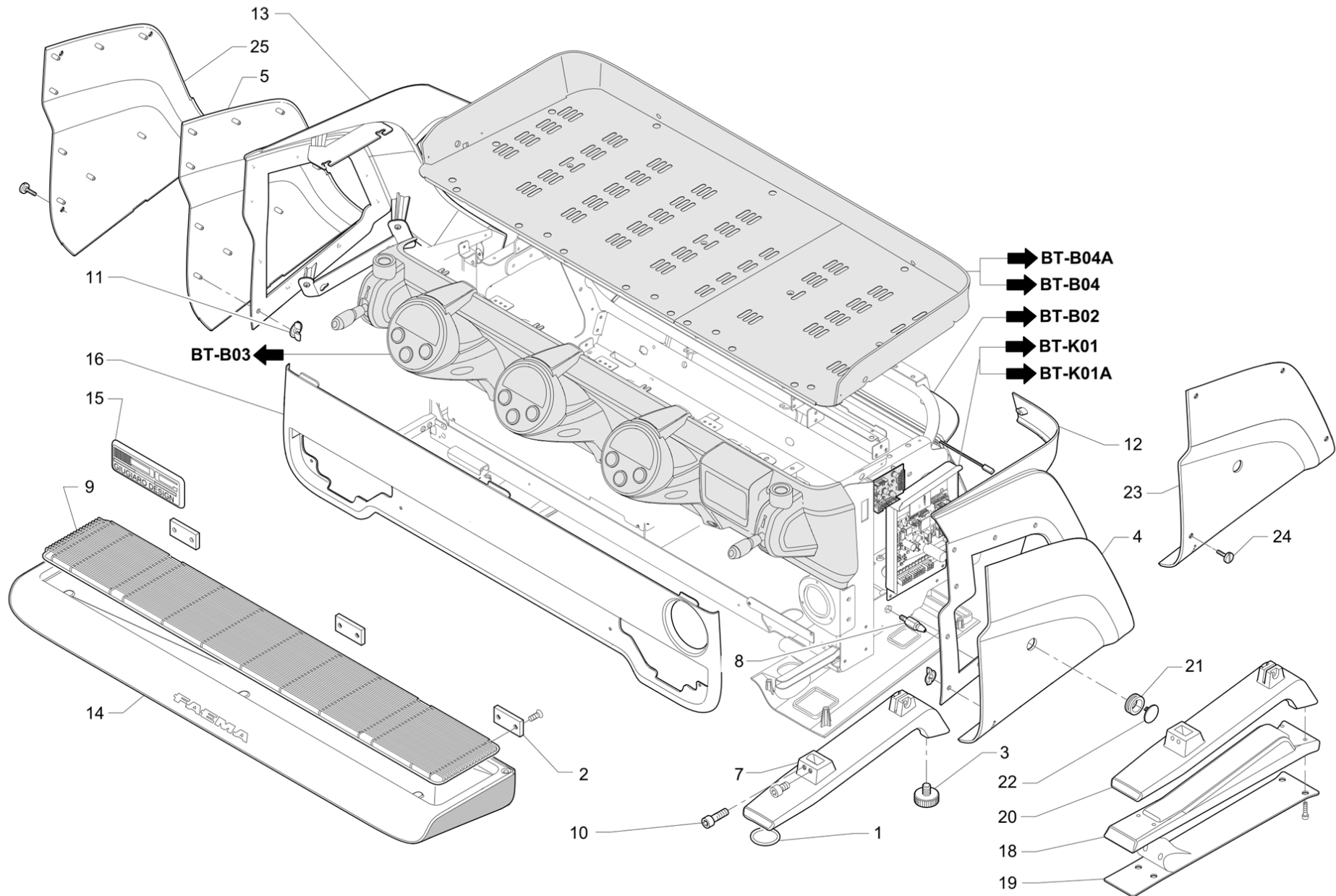
Pos	Part Number	Description	Validity	Notes
-	983323021	RH BOILER SUPPORT BRACKET E71E		
-	995807030F	TOUCH STEAM WAND		
	⇒ 995807020F	TOUCH STEAM WAND E71E 1.2mm		
-	995893020F	TOUCH STEAM WAND E71E 1.2mm UL NSF	N:NSF	
-	457062020	BELL CLEANING BRUSH		
	⇒ 457062010	BELL CLEANING BRUSH		
-	983322021	LH BOILER SUPPORT BRACKET E71E		
-	957846010F	FAEMA STAINLESS STEEL/WOODEN 2-WAY FILTE		
-	957858010F	FAEMA STAINLESS STEEL/WOODEN 1-WAY FILTE		
-	531494300	METAL. COND. 10 uF DUCATI 416.33.27		
-	983209010	CLOTH E71		
-	457062020	BELL CLEANING BRUSH		
-	532660830F	ELBOW CONNECTOR 1/4		
-	532660740F	ADJUSTABLE 1/8 ELBOW CONNECTOR		
	⇒ 532660730F	ADJUSTABLE ELBOW CONNECTOR 1/8		
-	533892310R	3-WAY SCEM SOLENOID VALVE R.24V 60HZ UL		
-	995060020F	CONNECTOR FOR STAINLESS STEEL TAP		
-	983307020F	RH STEAM TUBE		
-	533903510F	SOLENOID VALVE 2/2 - #5mm 1/4 M/F FKM PA		
-	983307028F	RH STEAM TUBE NSF		
-	983308020F	LH STEAM TUBE 2GR		
-	983308028F	LH STEAM TUBE 2GR NSF		
-	983306010F	LH STEAM TUBE 3GR		
-	983306018F	LH STEAM TUBE 3GR NSF		
-	983347014	FOOT		
-	533893320R	SOLENOID VALVE 2G 24V/50-60Hz		
-	533903110F	SOLENOID VALVE 2/2 - #5 mm 1/4 M/F FKM C		
-	533902910F	SOLENOID VALVE		
-	533903010F	SOLENOID VALVE 2/2 - #2.5mm 1/4 M/F FKM		
-	533895720R	2-WAY SOLENOID VALVE 24V/60		
-	533903410F	SOLENOID VALVE 2/2 - #2.5mm 1/4 M/F FKM		
-	995063000	ANTI-VIBRATION GASKET		
-	532404020F	ELBOW CONNECTOR 1/4		
-	995807030F	TOUCH STEAM WAND		
-	532704000	FIXING NUT M5		
-	402274000	GASKET		
-	533180010	180 L/h VOLUMETRIC PUMP INOX W/FILTER		
	⇒ 533198100	TECH FLUID PUMP		
-	532660740F	ADJUSTABLE 1/8 ELBOW CONNECTOR		
-	533904210F	SOLENOID VALVE 2/2		
-	783060000F	SPRAYHEAD WITH REINFORCED MEMBRANE		
	⇒ 983594000F	LOW TAP AERATOR		

Pos	Part Number	Description	Validity	Notes
-	983428014	WHITE DISPLAY COMMAND PANEL		
-	983429014	CENTRAL WHITE COMMAND PANEL		
-	983430014	WHITE RH COMMAND PANEL		
-	983431014	WHITE LH COMMAND PANEL		
-	983436014	WHITE FOOT		
-	983468014	WHITE UPGRADE RH PANEL		
-	983470014	WHITE UPGRADE LH PANEL		
-	983472014	WHITE LOWER REAR PANEL 2GR		
-	983474014	WHITE UPPER REAR PANEL 2GR		
-	983476014	WHITE LOWER REAR PANEL 3GR		
-	983478014	WHITE UPPER REAR PANEL 3GR		
-	995029014	NSF WHITE FOOT		
-	402223010	GASKET, OR 7.65X1.78 TS PROBE		
-	402250010	OR 3.68X1.78 VITON NSF		
-	402325010F	OR 101.19x3.53 NSF		
-	983845010	TOUCHSCREEN DISPLAY		
-	402221000F	SEALING GASKET 13x4x4 PEROX		
-	402196010	GUARNIZIONE OR 4,20 X 1,90 NSF		
-	983556030F	ASSIEME CORPO RUBINETTO E71 NEW NSF 372		
-	457341008	DISC FOR GROUP		
-	418941020	AS.VALVOLA ANTIRISUCCHIO		
-	533896520R	EV 3VIE BASETTA 24V cc RUBINO CLB		

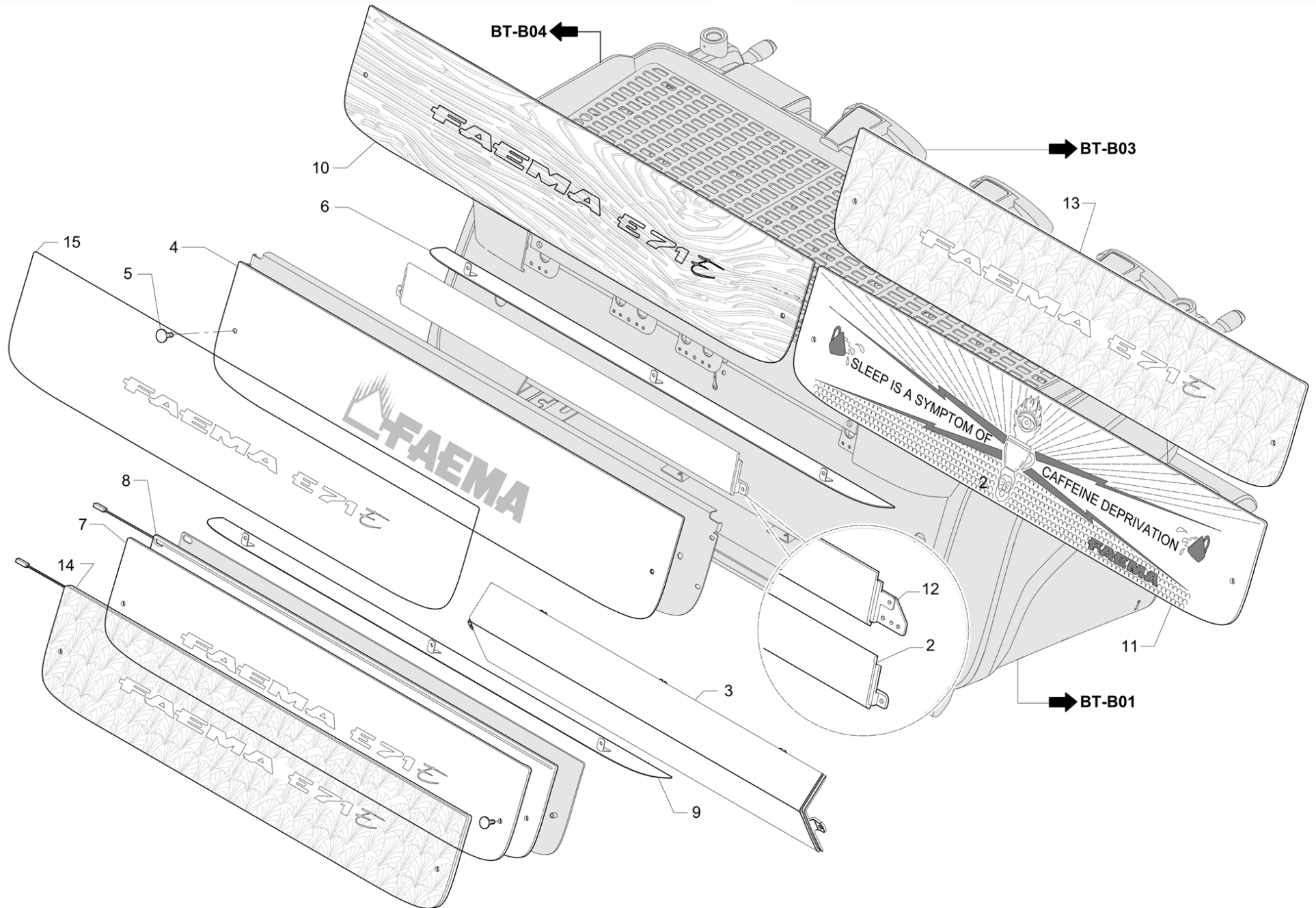
Pos	Part Number	Description	Validity	Notes
-	995807030F	TOUCH STEAM WAND		
	⇌ 983972000F	TOUCH STEAM WAND ASSEMBLY E71E 1.2mm		
-	983365010F	SLEEVE FOR SPHERE		
-	783060000F	SPRAYHEAD WITH REINFORCED MEMBRANE		
	⇌ 983560010F	SHOWER		
-	983314000F	CONTAINMENT RING		
-	983355015	E71E BYPASS ADJUSTMENT KNOB		
-	535997000	WIRING ADD LED BUTTONS		
-	537061600	3-KEY BUTTON PAD DISPLAY		
-	537061700	5-KEY BUTTON PAD DISPLAY		
-	979005005F	LOWER SEMI-BODY W/DISPENSER DISC CLB		
	⇌ 979004008F	LOWER SEMI-BODY WITH DISPENSER DISC RUVE		
-	979005005F	LOWER SEMI-BODY W/DISPENSER DISC CLB		
	⇌ 979005008F	LOWER SEMI-BODY WITH DISPENSER DISC NSF		
-	995830010	BOILER E71E		
-	995842010	BOILER E71E NSF		
-	995846010	BOILER E71E JPN		
-	533896520R	EV 3VIE Basetta 24V cc RUBINO CLB	T:24Vcc	
-	533906800F	SOLENOID VALVE 2/2 Ø 2.5 1/4	T:24Vcc	
-	533906900F	SOLENOID VALVE 2/2 Ø 5 1/4	T:24Vcc	
-	533907400F	SOLENOID VALVE 2 NORMALLY CLOSED	T:24Vcc	
-	537067510	SCHEDA CPU IDEA RIC.		
-	538165000	POWER SUPPLY	T:24Vcc	
-	713741000	TRIAC BOARD		



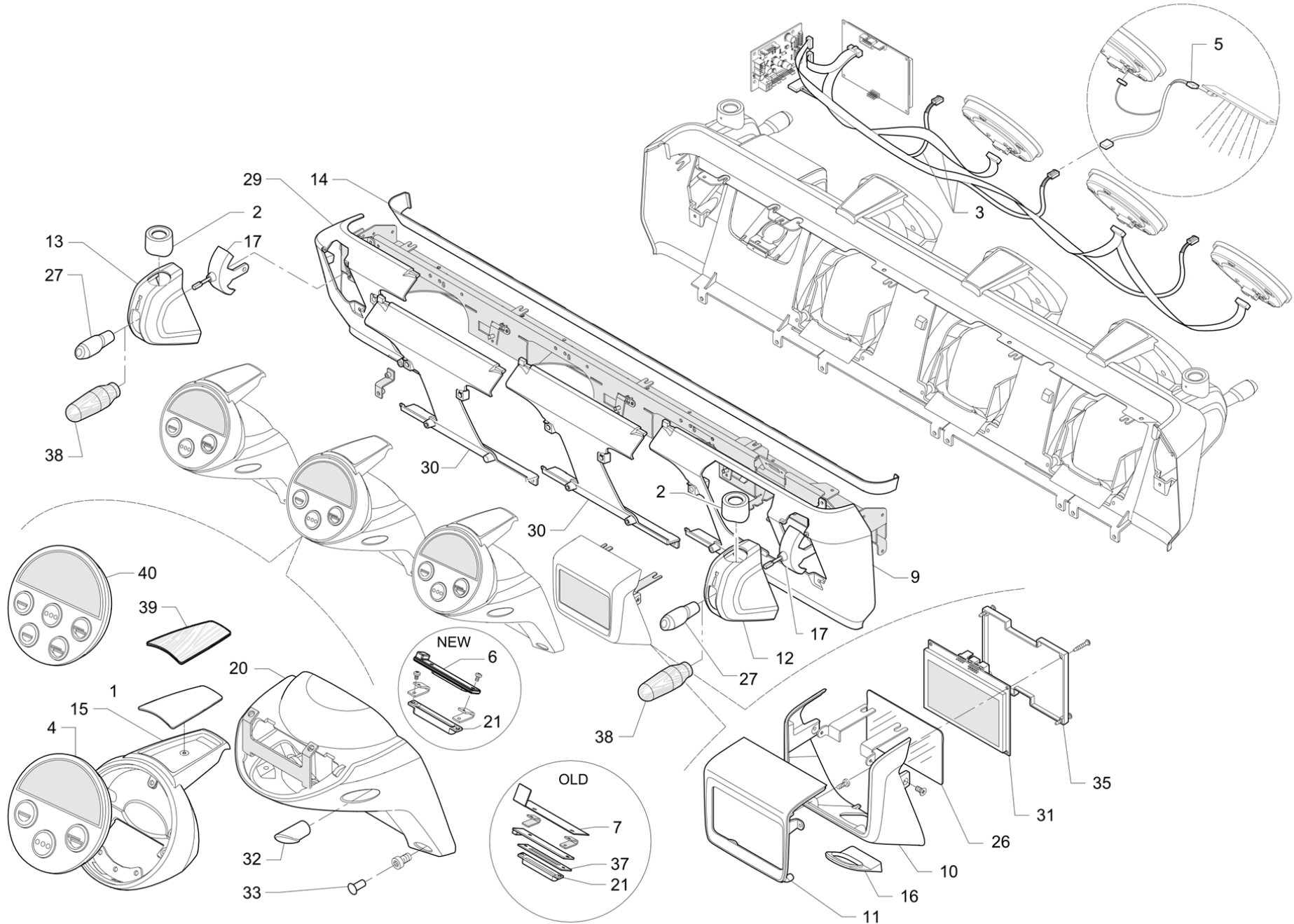
Pos	Part Number	Description	Validity	Notes
1	531194500	PUMP MANOMETER		
2	3951133673	TUBE FOR GAUGE		
3	983308020F	LH STEAM TUBE 2GR		
	⇌ 983308000F	2 GROUPS LH STEAM TUBE ASS.		
3	983306010F	LH STEAM TUBE 3GR		
	⇌ 983306000F	3 GROUPS LH STEAM TUBE ASS.		
3	983308028F	LH STEAM TUBE 2GR NSF	N:NSF	
	⇌ 983308008F	2 GR LH STEAM TUBE ASSEMBLY NSF	N:NSF	
3	983306018F	LH STEAM TUBE 3GR NSF	N:NSF	
	⇌ 983306008F	3 GR LH STEAM TUBE ASSEMBLY NSF	N:NSF	
4	983307020F	RH STEAM TUBE		
	⇌ 983307010F	RH STEAM TUBE ASS.		
4	983307028F	RH STEAM TUBE NSF	N:NSF	
	⇌ 983307018F	RH STEAM TUBE ASS. NSF	N:NSF	
5	983528020F	HOT WATER TUBE ASSEMBLY		
6	983529010F	FILLER TUBE ASS. (REPLACES 483529000F)		
7	983530020F	ANTI-WHIRLPOOL VALVE TUBE		
7	983530018F	ANTI-WHIRLPOOL SOLENOID VALVE TUBE ASSEM	N:NSF	
9	983559010F	WATER SOLENOID VALVE STEAM TUBE ASSY		
9	983559018F	WATER SOLENOID VALVE STEAM TUBE ASSY RUV	N:NSF	
10	983533020F	FAN CONNECTION TUBE E71 - 2 GROUPS		
10	983713020F	FAN CONNECTION TUBE E71 - 3 GROUPS		
11	983711013F	BOILER/SOLENOID VALVE TUBE ASSEMBLY - GT		
11	983547010F	BOILER TUBE ASSEMBLY NSF	N:NSF	
12	983712010F	FAN/SOLENOID VALVE TUBE E71		



Pos	Part Number	Description	Validity	Notes
1	402239000	OR GASKET 32.93 x 3.53		
2	430020020	MAGNET DRIP TRY		
3	940230000	FOOT		
4	983353014	E71E RH REMOVABLE SIDE PANEL, BLACK	C:N	
4	983357014	E71E UL RH REMOVABLE SIDE PANEL, BLACK	C:N,N:UL	
4	983435004	RH REMOVABLE SIDE PANEL, WHITE	C:W	
5	983354014	E71E LH REMOVABLE SIDE PANEL, BLACK	C:N	
5	983356014	E71E UL LH REMOVABLE SIDE PANEL, BLACK	C:N,N:UL	
5	983434004	LH REMOVABLE SIDE PANEL, WHITE	C:W	
7	983347014	FOOT	C:N	
	⇒ 983347004	E71E FOOT	C:N	
7	983436004	WHITE FOOT	C:W	
8	983132000	SIDE PANEL FIXING PIN E71		
9	983137010	3-GR BASIN GRILLE		
9	983136010	2-GROUP BASIN GRILLE		
10	983185000	SCREW FOR FOOT ADJUSTMENT		
11	4164133065	CLIP FOR PANEL		
12	995952000	RH PANEL BLACK UPGRADE	C:N	
	⇒ 995828000	E71E RH SIDE ASSEMBLY, BLACK SP	C:N	
12	983468004	RH PANEL - WHITE UPGRADE	C:W	
	⇒ 983425004	WHITE RH SIDE PANEL	C:W	
13	995953000	LH PANEL BLACK UPGRADE	C:N	
	⇒ 995829000	E71E BLACK LH SIDE ASSEMBLY, BLACK SP	C:N	
13	983470004	LEFT PANEL - WHITE UPGRADE	C:W	
	⇒ 983426004	WHITE LH SIDE PANEL	C:W	
14	983842000	BASIN E71 - 3 GROUPS		
14	983843000	BASIN E71 - 2 GROUPS		
15	983226000	GIUGIARO DESIGN LABEL		
16	983035020	PANNEL 3 GR		
16	983034020	PANNEL 2 GR		
18	983245000	FOOT SUPPORT NSF	N:NSF	
19	983250000	FEET RUBBER NSF	N:NSF	
20	983346004	E71E NSF FOOT	N:NSF	
20	995029004	WHITE FOOT NSF	C:W,N:NSF	
21	532178700	FAIRLEAD		
22	532758100	CAP		
23	983456004	RH PANEL BLACK UPGRADE	C:N	
23	983457004	RH PANEL BLACK UL UPGRADE	C:N,N:UL	
23	983458004	RH PANEL - WHITE UPGRADE	C:W	
23	995028004	RH SIDE PANEL, WHITE UL	C:W,N:UL	
24	983490000	SIDE FIXING SCREW UPGRADE		
25	983464004	LH PANEL BLACK UPGRADE	C:N	
25	983465004	LH PANEL BLACK UL UPGRADE	C:N,N:UL	
25	983466004	LEFT PANEL - WHITE UPGRADE	C:W	
25	995027004	LH SIDE PANEL, WHITE UL	C:W,N:UL	

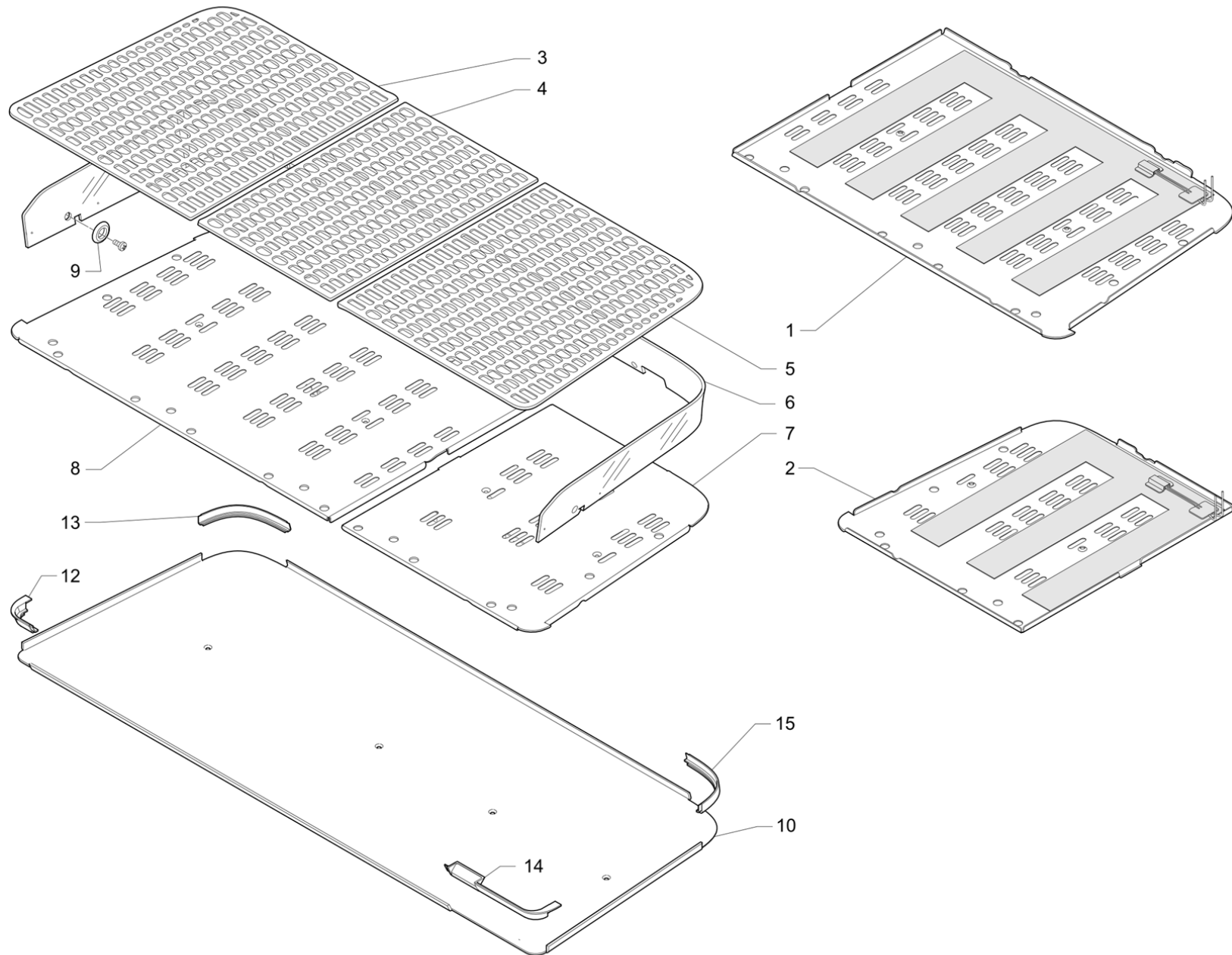


Pos	Part Number	Description	Validity	Notes
2	983342004	E71E 3GR UPPER REAR CLOSING	C:N	
2	983343004	E71E 2GR UPPER REAR CLOSURE	C:N	
2	983432004	WHITE UPPER REAR CLOSURE, 3GR	C:W	
2	983423004	WHITE UPPER REAR CLOSURE, 2GR	C:W	
3	983438004	LOW. REAR PAN. 3GR BLACK	C:N	
	⇒ 983344004	E71E 3GR LOWER REAR CLOSURE	C:N	
3	983437004	LOW. REAR PAN. 2GR BLACK	C:N	
	⇒ 983345004	E71E 2GR LOWER REAR CLOSURE	C:N	
3	983433004	WHITE LOWER REAR CLOSURE, 3GR	C:W	
3	983472004	LOW. REAR PAN. 2GR WHITE	C:W	
	⇒ 983424004	WHITE LOWER REAR CLOSURE, 2GR	C:W	
4	983335000	E71E 2GR SCREEN PRINT REAR PANEL		
4	983334000	E71E 3GR SCR. PRINT REAR PANEL		
5	983196000	REAR PANEL FIXING SCREW E71		
6	983568000	E71E 3GR LIGHTS PANEL		
6	983569000	E71E 2GR LIGHTS PANEL		
7	983381000	E71E 2 GR. BACKLIT PANEL		
7	983380000	E71E 3GR BACKLIT PANEL		
8	983019000	REAR LED GLASS - 3 GROUPS		
8	983143000	REAR LED GLASS - 2 GROUPS		
9	983516020	LIGHTS PANEL - 3 GROUPS		
9	983517020	LIGHTS PANEL - 2 GROUPS		
10	983386000	WOOD REAR PANEL E71E 2GR	C:WD	
10	983385000	WOOD REAR PANEL E71E 3GR	C:WD	
11	983484000	GOLD PANEL - 2GR	C:O	
11	983485000	GOLD PANEL - 3GR	C:O	
12	983440004	UPP. REAR CLOSURE 2GR BLACK UPGRADE		
12	983439004	UPP. REAR CLOSURE 3GR BLACK UPGRADE		
12	983474004	UPP. REAR CLOSURE 2GR WHITE UPGRADE		
12	983478004	UPP. REAR CLOSURE 3GR WHITE UPGRADE		
13	983496000	REAR PANEL - "VIVAIO" 2GR		
13	995004000	REAR PANEL - "VIVAIO" 3GR		
14	995977000	BACKLIT REAR PANEL - "VIVAIO" 2GR		
14	995978000	BACKLIT REAR PANEL - "VIVAIO" 3GR		
15	995056000	REAR PANEL PHOTOENGRAVED 3GR		
15	995057000	REAR PANEL PHOTOENGRAVED 2GR		

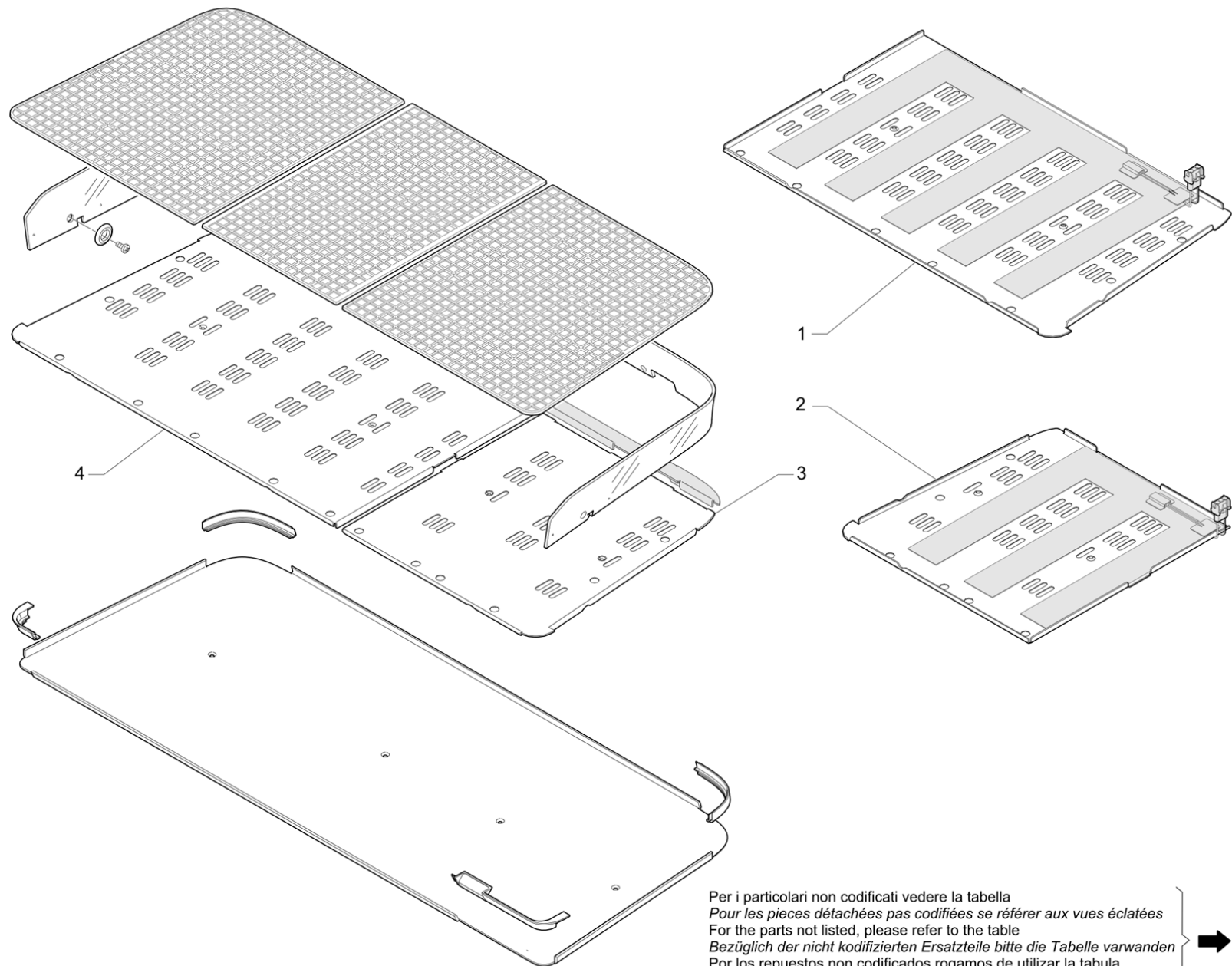


Pos	Part Number	Description	Validity	Notes
1	983561000	E71E FACING		
2	983330010	E71E STEAM CONNECTOR COVER		
3	536203000	3GR panel wiring		
3	536205000	2GR panel wiring		
4	537061600	3-KEY BUTTON PAD DISPLAY		
5	535997000	WIRING ADD LED BUTTONS		
6	538048010	LED BOARD WITH MOULDED GLASS FOR GR.		
	⇒ 538048000	LED CARD FOR GROUP		
7	983487000	LIGHTS BOARD PROTECTION E71E		
9	983317004	E71E RH COMMAND PANEL	C:N	
9	983430004	RH COMMAND PANEL WHITE	C:W	
10	983350004	E71E DISPLAY COMMAND PANEL	C:N	
10	983428004	WHITE DISPLAY COMMAND PANEL	C:W	
11	983016010	DISPLAY FRAME	C:N	
11	983260010	DISPLAY FRAME UL	C:N,N:UL	
11	983427004	WHITE DISPLAY FRAME	C:W	
11	995026004	WHITE DISPLAY FRAME UL	C:W,N:UL	
12	983320004	E71E RH STEAM GUARD		
	⇒ 983320007	CARTER VAPORE DX E71E		
13	983321004	E71E LH STEAM GUARD		
	⇒ 983321007	CARTER VAPORE SX E71E		
14	983377000	E71E 2GR REAR COMMAND PANEL CLOSURE		
14	983378000	E71E 3GR REAR COMMAND PANEL CLOSURE		
15	983316004	E71E UPPER GROUP COVER		
	⇒ 983316007	COPRIGRUPPO SUPERIORE E71E		
16	983061020	WATER WAND CAP		
17	983565010	STEAM TAP CAM		
	⇒ 983565000	E71E STEAM TAP CAM		
20	983315004	E71E LOWER GROUP COVER		
	⇒ 983315007	COPRIGRUPPO INFERIORE E71E		
21	983159000	GROUP LIGHT GLASS		
26	983296000	DISPLAY GLASS WITH SPONGE		
27	983537000	STEAM LEVER ASSEMBLY E71		
29	983318004	E71E LH COMMAND PANEL	C:N	
29	983431004	LEFT-HAND WHITE COMMAND PANEL	C:W	
30	983319004	CENTRAL COMMAND PANEL	C:N	
30	983429004	CENTRAL WHITE COMMAND PANEL	C:W	
31	783805000	DISPLAY TOUCH SCREEN IPS (E+L) RIC		
32	927124000	PLUG	N:NSF	
33	947123000	CAP FOR ALLEN SCREW M5	N:NSF	
35	983231010	DISPLAY CLOSURE CAP		
	⇒ 983231000	DISPLAY CLOSURE		
35	983259010	UL DISPLAY CLOSURE CAP	N:UL	
	⇒ 983259000	DISPLAY CLOSURE UL	N:UL	
37	983298000	GROUP LIGHT PROTECTION GLASS E71		

Pos	Part Number	Description	Validity	Notes
38	983387010	WOOD STEAM GRIP	C:WD	
	⇒ 983387000	WOOD STEAM LEVER E71E	C:WD	
39	983388000	WOOD FACING E71E	C:WD	
40	537061700	5-KEY BUTTON PAD DISPLAY		



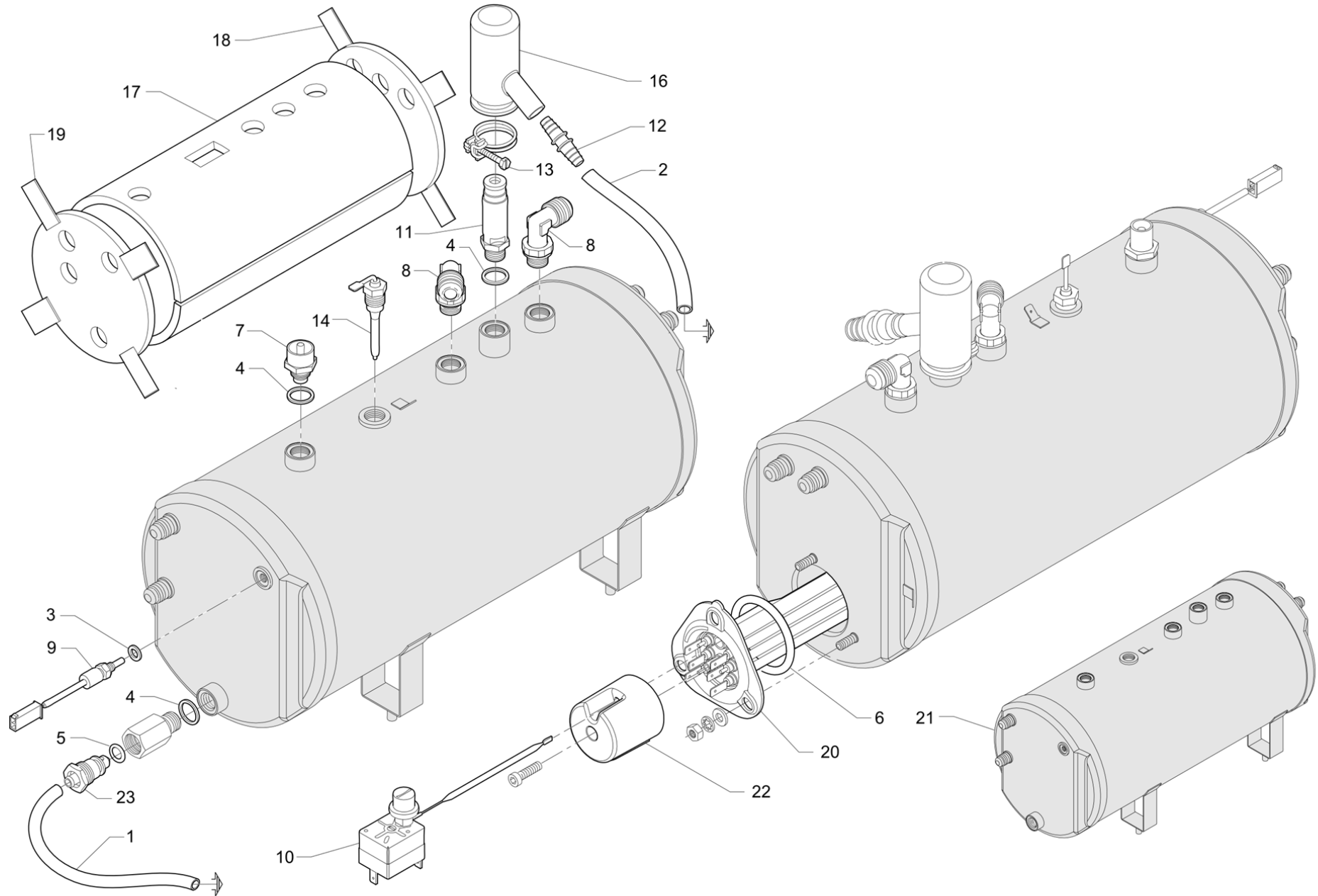
Pos	Part Number	Description	Validity	Notes
1	983839000	LH CUP-WARMER PLATE E71 - 3 GROUPS, WITH		
1	983844000	LH CUP-WARMER PLATE E71 - 2 GROUPS, WITH		
2	983840000	RH CUP-WARMER PLATE E71, WITH RESISTOR		
3	983294010	LH GRILLE E71 2/3GR		
4	983293010	CENTRAL GRILLE E71 3GR		
5	983295010	RH GRILLE E71 2/3 GR		
6	983450000	GLASS - 3 GROUPS		
	⇒ 983048010	GLASS - 3 GROUPS		
6	983449000	GLASS - 2 GROUPS		
	⇒ 983047010	GLASS - 2 GROUPS		
7	983053020	RH CUP-WARMER PLATE E71		
8	983055020	LH CUP-WARMER PLATE E71 - 3 GROUPS		
8	983054020	LH CUP-WARMER PLATE E71 - 2 GROUPS		
9	930081000	PREXIGLASS RING		
10	983242000	2 GR E71 CUP-WARMERS CLOSURE	N:UL	
10	983241000	3 GR E71 CUP-WARMERS CLOSURE	N:UL	
12	983246000	LH CUP-WARMERS FRONT CLOSURE UL	N:UL	
13	983247000	LH CUP-WARMERS REAR CLOSURE UL	N:UL	
14	983248000	RH CUP-WARMERS FRONT CLOSURE UL	N:UL	
15	983249000	RH CUP-WARMERS REAR CLOSURE UL	N:UL	



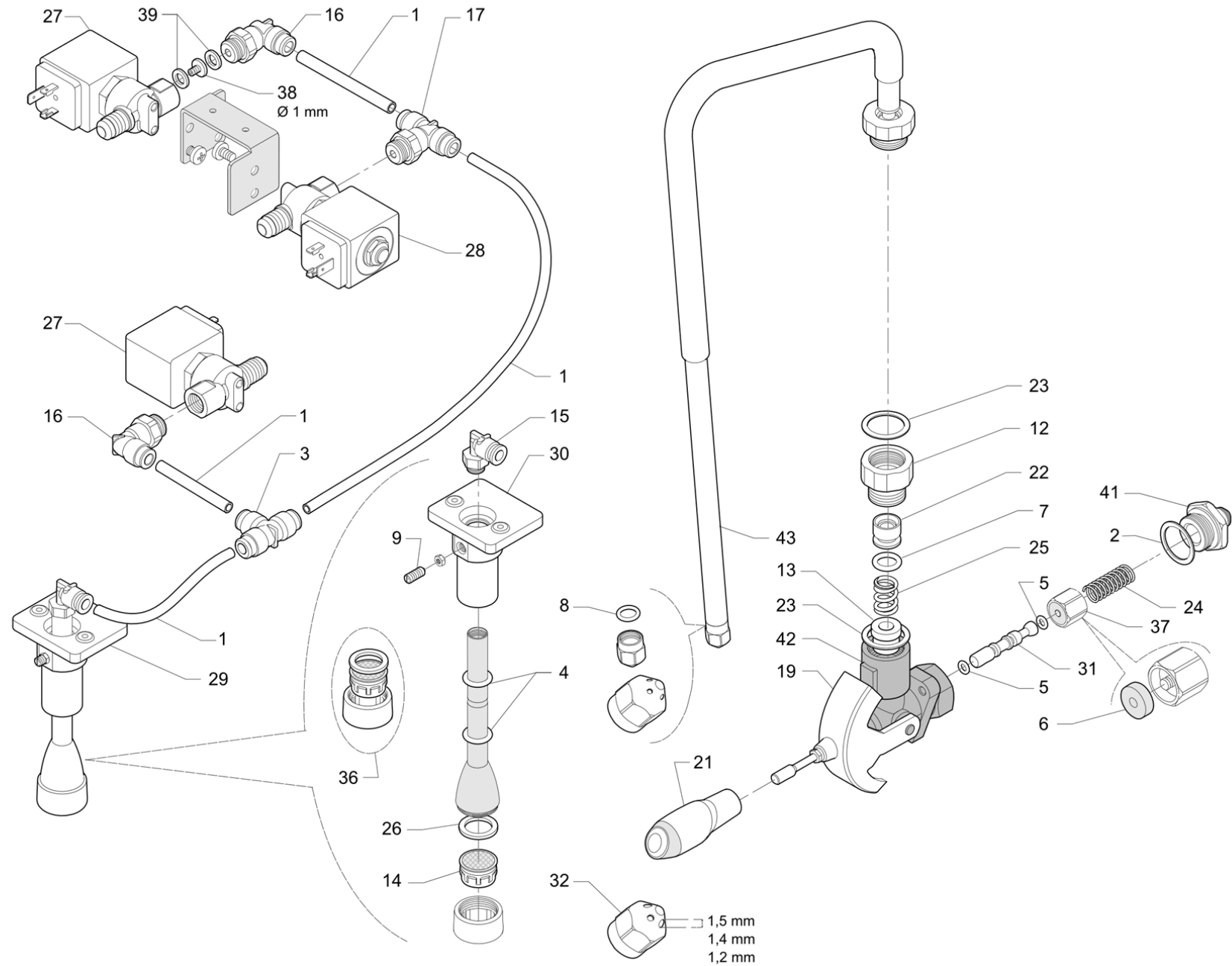
Per i particolari non codificati vedere la tabella
 Pour les pièces détachées pas codifiées se référer aux vues éclatées
 For the parts not listed, please refer to the table
 Bezüglich der nicht kodifizierten Ersatzteile bitte die Tabelle verwenden
 Por los repuestos no codificados rogamos de utilizar la tabula
 Pelos particulares no codificados outar as tabela

➔ BT-B04

Pos	Part Number	Description	Validity	Notes
1	995954000	LH WARMER PLATE 3GR W/RES UPGRADE		
1	995955000	LH WARMER PLATE 2GR W/RES UPGRADE		
2	995956000	RH WARMER PLATE W/RES UPGRADE		
3	983491010	RH CUP-WARMER PLATE 2GR		
4	983492010	LH CUP-WARMER PLATE 2GR		
4	983493010	LH CUP-WARMER PLATE		

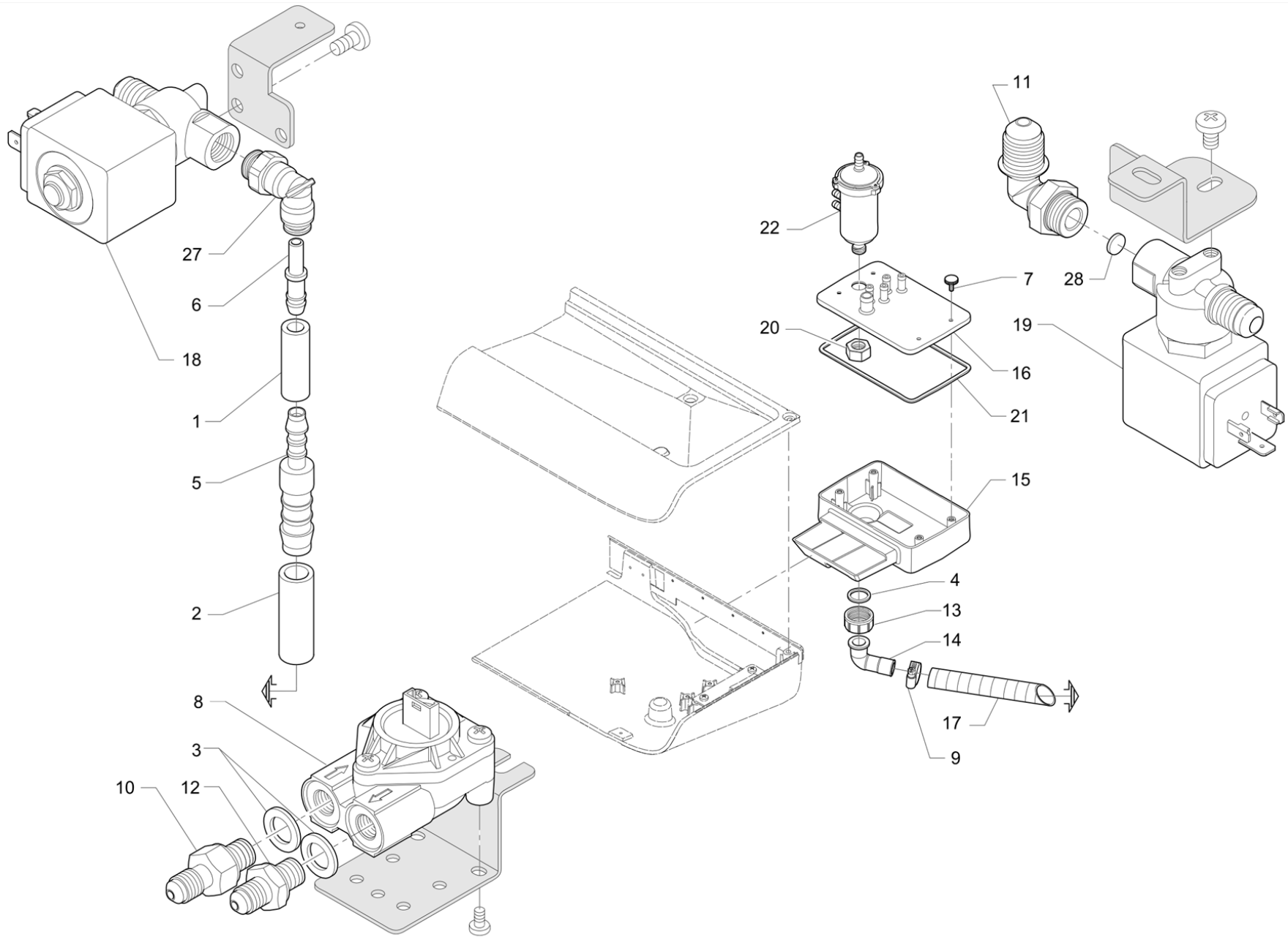


Pos	Part Number	Description	Validity	Notes
1	220000016	SILICONE PIPE D 6X10		
2	220000017	SILICONE PIPE D 10X15		
3	401235020	GASKET 11X6,5X1,5		
4	401250010	GASKET § 17,9X14,2X1,5		
5	402220000	O-RING 9,13X2,62		
6	402277000	OR 46.99 X 5.33 VITON (550600710)		
7	418941020	AS.VALVOLA ANTIRISUCCHIO		
	⇌ 418941010	ANTI-UNDERTOW VALVE ASS.		
8	532404020F	ELBOW CONNECTOR 1/4		
	⇌ 532404010F	ELBOW CONNECTOR 1/4		
9	531194810	COFFEE BOILER PROBE		
10	531194720	SFTY. THERMOSTAT		
11	532392500	SAFETY VALVE 1,9 1/4G		
12	532601000	HOSE ADAPTOR		
13	532746200	CABLE TIE-RAPS WITH SCREW		
14	959714000	COMPLETE LEVEL PROBE		
16	966492000	SAFETY VALVE PROTECTION		
17	983186030	BOILER INSULATION		
	⇌ 983186020	BOILER INSULATION E71		
18	983187030	RH BOILER INSULATION		
	⇌ 983187020	RH BOILER INSULATION E71		
19	983188020	LH BOILER INSULATION E71		
20	983570000F	230 V 3600 W ELECTRIC RESISTOR		
21	983572000F	E71 TESTED NEW 7 LITERS BOILER ASSEMBLY		
22	956160010	BOILER RESISTOR GUARD		
23	419077010	DRAIN TAP DISC		

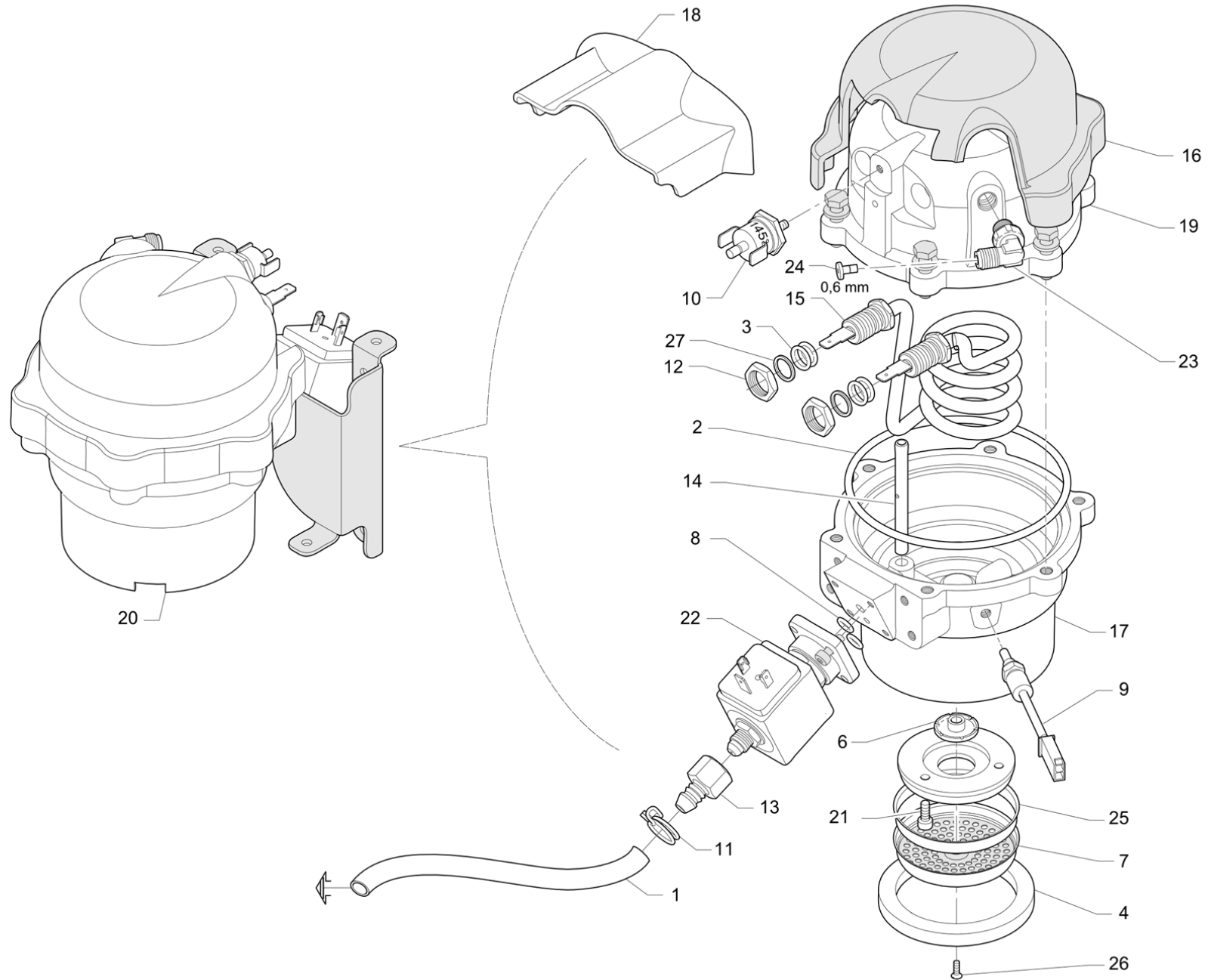


Pos	Part Number	Description	Validity	Notes
1	220000022	RISLAN PIPE 4X6		
2	400335010	GASKET 21X24,5X1,5		
3	532656700	T-SHAPED CONNECTOR		
4	400279000	O-RING 113		
5	402196010	GUARNIZIONE OR 4,20 X 1,90 NSF		
	⇒ 402196000	O-RING 4,20X1,90		
6	402221000F	SEALING GASKET 13x4x4 PEROX		
	⇒ 402205000	GASKET NF		
7	402206000	GASKET		
8	402223010	GASKET, OR 7.65X1.78 TS PROBE		
	⇒ 402223000	O-RING 7,65X1,78 TS PROBE		
9	965022000	BALL PRESSURE		
13	983310008F	STEAM TAP SPACER		
14	532305000	FILTER		
15	532658700F	90 COUPLING 930X4M-6F-1/8		
16	532656100	G1/4 M RUBB.CONN.		
17	532657200	CONNECTOR 1/4		
19	983565010	STEAM TAP CAM		
	⇒ 983565000	E71E STEAM TAP CAM		
21	983537000	STEAM LEVER ASSEMBLY E71		
22	983365010F	SLEEVE FOR SPHERE		
23	4701116694	GASKET		
24	4731030495	SPRING		
25	4731132350	SPRING STEAM WAND		
26	402320000F	21X15X2 NSF SEAL		
27	533903010F	SOLENOID VALVE 2/2 - #2.5mm 1/4 M/F FKM		
	⇒ 533903000F	SOLENOID VALVE 1/4 M/F FKM		
27	533903410F	SOLENOID VALVE 2/2 - #2.5mm 1/4 M/F FKM N:UL		
	⇒ 533903400F	SOLENOID VALVE 2/2		N:UL
27	533906800F	SOLENOID VALVE 2/2 Ø 2.5 1/4		T:24Vcc
28	533903110F	SOLENOID VALVE 2/2 - #5 mm 1/4 M/F FKM C		
	⇒ 533903100F	SOLENOID VALVE 2/2 5mm 1/4 M/F		
28	533903510F	SOLENOID VALVE 2/2 - #5mm 1/4 M/F FKM PA		N:UL
	⇒ 533903500F	SOLENOID VALVE 2/2		N:UL
28	533906900F	SOLENOID VALVE 2/2 Ø 5 1/4		T:24Vcc
29	995703000	E71E WATER DISPENSER ASSY		
30	983333000	E71E WATER DIFFUSER GUIDE		
31	983203010F	LEG FOR TAP VALVE, STAINLESS STEEL		
32	983214000F	STEAM BULB E71 - diam.1.5		
32	710340000F	PEEK STEAM BULB 3X1.4		
32	983219000F	STEAM BULB E71 - diam.1.2		
32	983309000F	STEAM BULB E71 DIAM 1.2 NSF		N:NSF
36	985716020F	M22X1 JET BREAKER		

Pos	Part Number	Description	Validity	Notes
37	903995020	WATER/STEAM VALVE		
	⇄ 903995010	WATER AND STEAM VALVE		
38	915274000	NOZZLE OF 1MM NF		
39	401235020	GASKET 11X6,5X1,5		
41	995060020F	CONNECTOR FOR STAINLESS STEEL TAP		
	⇄ 983304008F	CONNECTOR FOR RUVECATO TAP		
42	983556030F	ASSIEME CORPO RUBINETTO E71 NEW NSF 372		
	⇄ 983552000F	TAP ASSEMBLY E71		
42	983556030F	ASSIEME CORPO RUBINETTO E71 NEW NSF 372	N:NSF	
	⇄ 983556000F	TAP ASSEMBLY E71 NSF	N:NSF	
43	995807030F	TOUCH STEAM WAND		
	⇄ 995807000F	TOUCH STEAM WAND E71E 1.2mm		
43	995893020F	TOUCH STEAM WAND E71E 1.2mm UL NSF	N:NSF	
	⇄ 995893000F	TOUCH STEAM WAND E71E 1.2mm	N:NSF	



Pos	Part Number	Description	Validity	Notes
1	220000016	SILICONE PIPE D 6X10		
2	220000017	SILICONE PIPE D 10X15		
3	402329000F	COPPER GASKET 16 X 10 X 1.5		
4	402323000	NBR GASKET Ø 24 x Ø 15 x 2		
5	532600700	HOSE ADAPTOR		
6	934168010	HOSE ADAPTOR FOR QUICK CONNECTION		
7	532755800	PLAST. SCREW M4x10		
8	534393410F	VOLUMETRIC COUNTER		
	⇒ 534393400F	VOLUMETRIC COUNTER		
9	613500396	CLIP 14-24		
10	958365000F	NIPPLE 1/8 X 1/8" H=10.		
11	532660830F	ELBOW CONNECTOR 1/4		
	⇒ 532660820F	ELBOW CONNECTOR 1/4		
12	958366000F	NIPPLE 1/8 X 1/8		
13	958347000	RING NUT FOR DRAINAGE		
14	958349000	ELBOW FOR DRAINAGE		
15	983051010	DRAINAGE COLLECTION BASIN		
16	983052010	DRAINAGE COLLECTION BASIN CAP		
17	4951132933	REINF.DRAIN PIPE (D.24X18)		
18	533903010F	SOLENOID VALVE 2/2 - #2.5mm 1/4 M/F FKM		
	⇒ 533903000F	SOLENOID VALVE 1/4 M/F FKM		
18	533903410F	SOLENOID VALVE 2/2 - #2.5mm 1/4 M/F FKM N:UL		
	⇒ 533903400F	SOLENOID VALVE 2/2		N:UL
18	533906800F	SOLENOID VALVE 2/2 Ø 2.5 1/4		T:24Vcc
19	533904210F	SOLENOID VALVE 2/2		
	⇒ 533904200F	EV 2/2		
20	532756200	EXAGONAL NUT M16		
21	983238000	CHARGE BASIN SEAL		
22	983849000	DISCHARGE CONTAINER		
27	532656100	G1/4 M RUBB.CONN.		
28	481361000	FILTER WITH HOLDER 9X1.5 INOX		

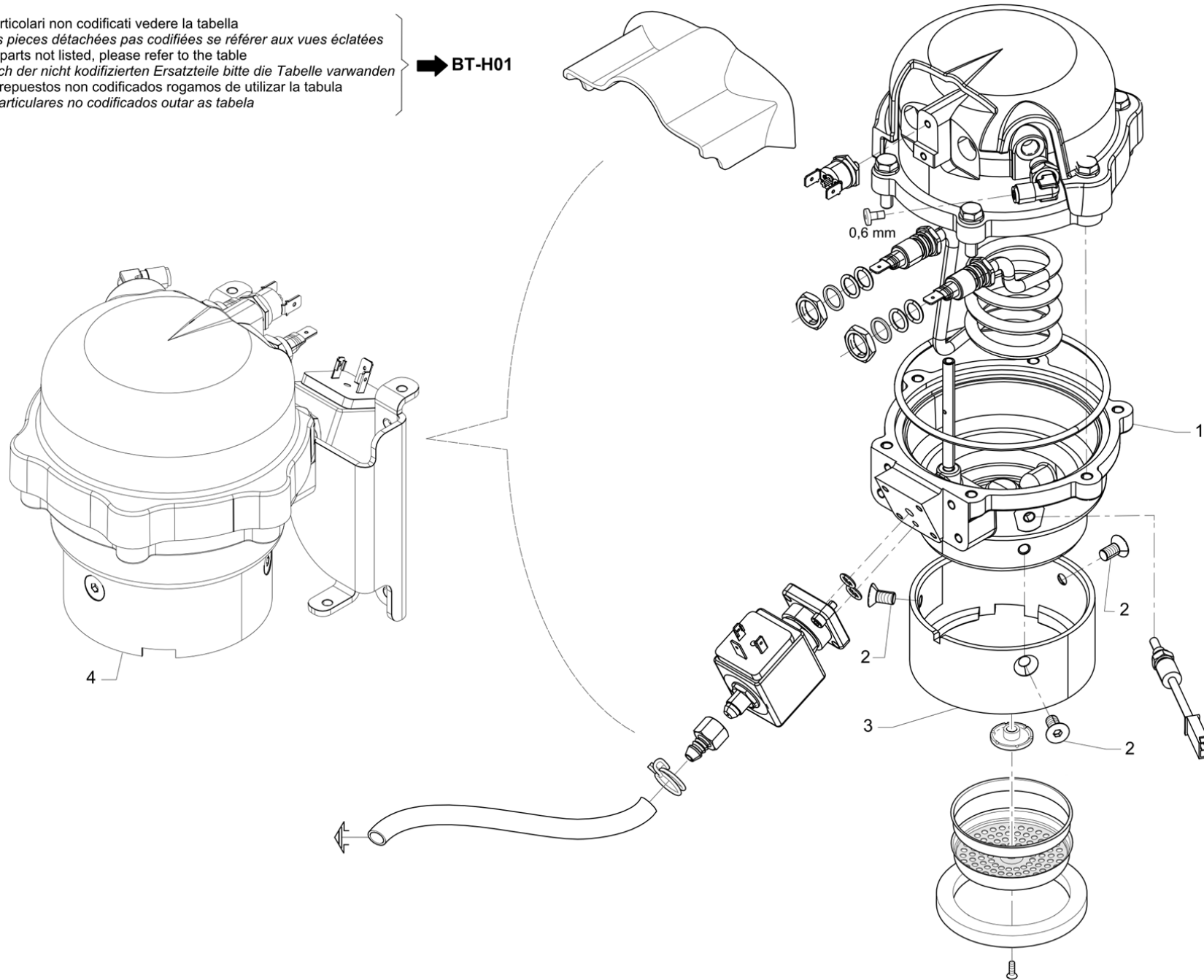


Pos	Part Number	Description	Validity	Notes
1	220000016	SILICONE PIPE D 6X10		
2	401224000	BOILER GASKET		
2	402325010F	OR 101.19x3.53 NSF	N:NSF	
	⇌ 402325000F	OR 101.19x3.53 NSF	N:NSF	
3	402333000F	OR 9.25X1.78 NSF		
4	402199010	GROUP GASKET		
6	983313010F	SPRAYER FOR STAINLESS STEEL GROUP BODY		
7	783060000F	SPRAYHEAD WITH REINFORCED MEMBRANE		
7	783060000F	SPRAYHEAD WITH REINFORCED MEMBRANE		
	⇌ 983560010F	SHOWER		
8	530501200	OR 2025		
9	531194810	COFFEE BOILER PROBE		
10	531197300	CERAMIC THERMOSTAT 145°C		
10	531195100	TERMOSTAT 145°C	N:UL	
11	532742200	DOUBLE CABLE TIE-RAPS		
12	590128010	COUNTER NUT 1/4		
13	937055010	1/8 RUBBER HOLDER CONNECTOR		
	⇌ 937055000	1/8 RUBBER HOLDER CONNECTOR		
14	955003010	PIPE		
15	537056500	RESISTOR 1300W 220		
15	537056600	1300W 220V RESISTOR WITH RUVECO	N:NSF	
16	983232000	BOILER INSULATOR		
17	979005005F	LOWER SEMI-BODY W/DISPENSER DISC CLB		
	⇌ 979001028	LOWER SEMI-BODY WITH RUVECO		
17	979005005F	LOWER SEMI-BODY W/DISPENSER DISC CLB	N:NSF	
	⇌ 983264008F	LOWER SEMI-BODY NSF	N:NSF	
18	983218000	BOILER FASTON COVER E71		
19	537056700	UPPER BOILER SEMI-BODY 600CC WITH RUVECO		
19	537056810	HIGH BOILER SEMIBODY	N:NSF	
	⇌ 537056800	600CC BOILER UPPER SEMI-BODY NSF	N:NSF	
20	995830010	BOILER E71E		
	⇌ 995830000	E71E 600cc BOILER ASSEMBLY		
20	995842010	BOILER E71E NSF	N:NSF	
	⇌ 995842000	BOILER E71E 600cc NSF	N:NSF	
20	995846010	BOILER E71E JPN	M:JP	
	⇌ 995846000	BOILER E71E 600cc JPN	M:JP	
20	795775000		T:24Vcc	
20	795776000		M:JP,T:24Vcc	
20	795777000		N:NSF,T:24	
21	4001051934	SCREW M 4 X 10		
22	533902910F	SOLENOID VALVE		
	⇌ 533902900F	SOL.VALVE 3-WAY SMALL BASE 14.5 bar 24V		
22	533892310R	3-WAY SCEM SOLENOID VALVE R.24V 60HZ UL	N:UL	

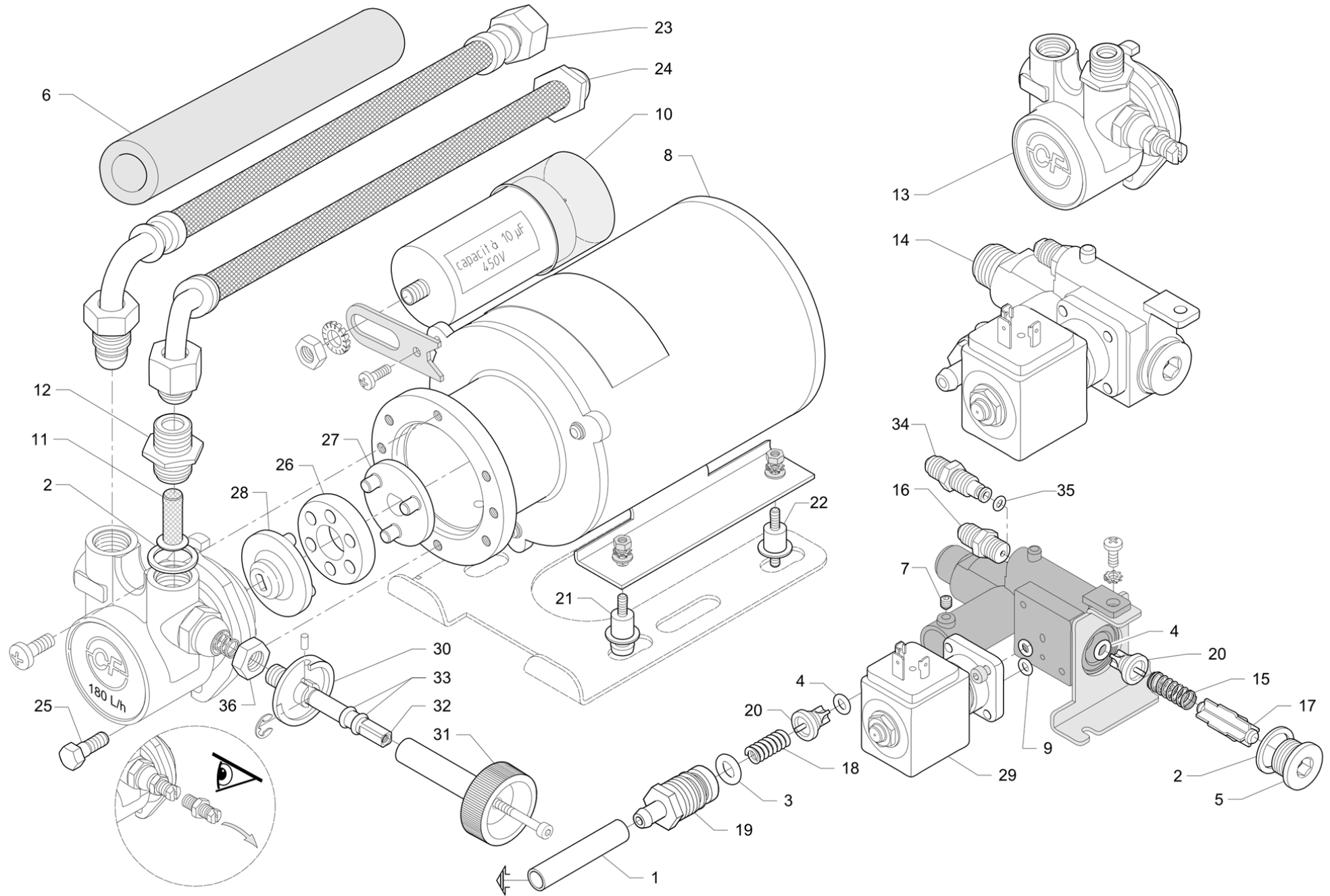
Pos	Part Number	Description	Validity	Notes
	≡ 533892300R	SOLENOID VALVE	N:UL	
22	533896510R	3-WAY SOLENOID VALVE 24V	T:24Vcc	
23	532660740F	ADJUSTABLE 1/8 ELBOW CONNECTOR		
	≡ 532660710F	ADJUSTABLE 1/8 ELBOW CONNECTOR		
24	920041000	NOZZLE § 0,6MM NF		
25	983314000F	CONTAINMENT RING		
26	503605140	COUNTER-SUNK HEAD SCREW M5x14		
27	401214000	GASKET		

Per i particolari non codificati vedere la tabella
 Pour les pièces détachées pas codifiées se référer aux vues éclatées
 For the parts not listed, please refer to the table
 Bezüglich der nicht kodifizierten Ersatzteile bitte die Tabelle verwenden
 Por los repuestos no codificados rogamos de utilizar la tabla
 Pelos particulares no codificados outar as tabela

➔ BT-H01

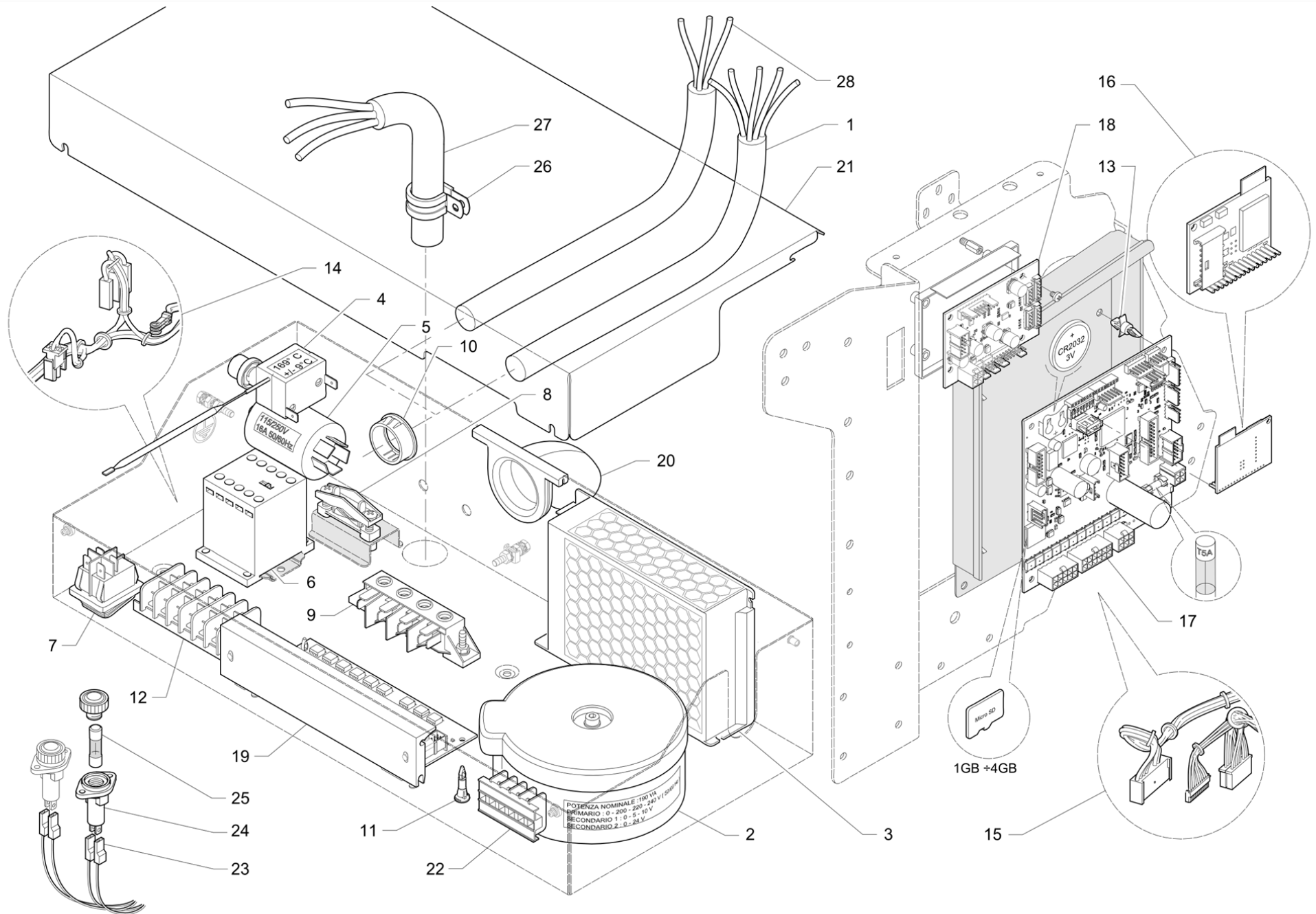


Pos	Part Number	Description	Validity	Notes
1	995058005F	LOWER SEMI-BODY FAEMA 600cc CLB		
2	503606120	M6X12 FLAT COUNTERSUNK HEX HEAD SCREW		
3	995059000	FAEMA STAINLESS STEEL BOILER BELL		
4	783789000	STAINLESS STEEL BOILER E71E 600cc (SP. P		
4	783790000	STAINLESS STEEL BOILER E71E 600cc NSF (S	N:NSF	
4	783791000	STAINLESS STEEL BOILER E71E 600cc JPN (S	M:JP	



Pos	Part Number	Description	Validity	Notes
1	220000016	SILICONE PIPE D 6X10		
2	401183010	GASKET 22X17X1,5 INLET VALVE		
3	401190000	O-RING 12,37X2,62 EPDM INLET		
4	402314000	OR 7.59x2.62 EPDM 75.5 INLET		
5	457347010	3/8 GAS EXAGONAL INOX CAP		
6	462327000	INSULATING MEMBRANE		
7	512904050	S.S. M4X5 SCREW		
8	530298120	PUMP 220/50 HORIZ. MOTOR		
8	530299600	PUMP 220/50 HORIZ. MOTOR UL	N:UL	
9	530501200	OR 2025		
10	531494300	METAL. COND. 10 uF DUCATI 416.33.27		
	⇌ 531494700	CONDENSER 10 uF		
10	531492900	CAPACITOR 10mF	N:UL	
11	981153000	3/8GAS NIPPLE W/FILTER		
	⇌ 533100400	INSIDE FILTER		
12	981153000	3/8GAS NIPPLE W/FILTER		
	⇌ 533100600	JOINT 3/8X3/8		
13	533180010	180 L/h VOLUMETRIC PUMP INOX W/FILTER		
14	952706030	VALVE GROUP 24V 50 60Hz		
14	983867000	24V VALVES GROUP NSF	N:NSF	
14	751700000	GRUPPO VALVOLE 24V cc	T:24Vcc	
15	958071000	SPRING FOR VALVE		
16	958072020	NIPPLE 1/8 X 1/8 NOZZLE 0.8		
17	958073000	SPACER		
18	958075010	SPRING FOR VALVE		
19	958076000	ADJUST. SCREW		
20	958231005F	MINI-VALVE		
	⇌ 958231000	MINI-VALVE		
21	3251133417	RUBBER ANTIVIBRATION		
22	3251133418	RUBBER ANTIVIBRATION		
23	3951117886	COMPREHENSIVE PIPE		
23	532304400	VALVE BLOCK-PUMP TUBE NF	N:NSF	
24	3951130515	PIPE 3/8X 3/8 120øMM 2200		
24	532304300	PIPE 3/8 NF	N:NSF	
25	4004136622	SCREW M6		
26	4081021923	RING		
27	4821023082	MOTOR JOINT		
28	4821108987	PUMP JOINT		
29	533893320R	SOLENOID VALVE 2G 24V/50-60Hz		
	⇌ 533893300R	SOLENOID VALVE 2G 24V/50-60HZ		
29	533895720R	2-WAY SOLENOID VALVE 24V/60	N:UL	
	⇌ 533895700R	SOLENOID VALVE 2G 24V/60HZ NF	N:UL	
29	533907400F	SOLENOID VALVE 2 NORMALLY CLOSED	T:24Vcc	
30	983369000	BYPASS ADJUSTMENT SCREW RETAINER		
31	983355015	E71E BYPASS ADJUSTMENT KNOB		

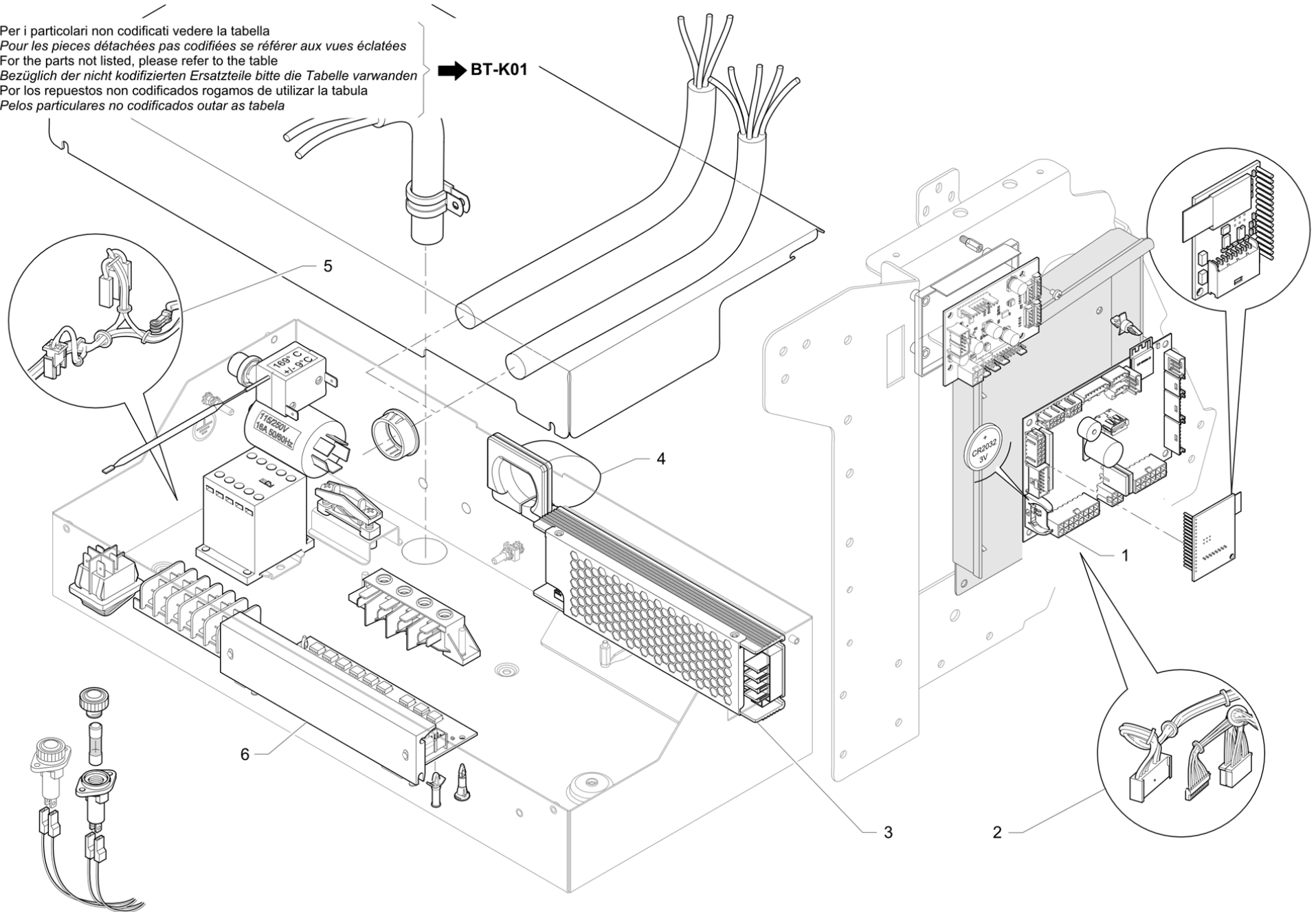
Pos	Part Number	Description	Validity	Notes
32	983328020	BYPASS ADJUSTMENT SCREW		
33	401223000	STEAM GASKET		
34	958367000F	NIPPLE 1/8 X 1/8 NOZZLE 0.8		
35	402250010	OR 3.68X1.78 VITON NSF		
	≅ 402250000	GASKET 3,68 X 1,78 INTERMEDIATE TS		
36	540010100	STAINLESS STEEL HIGH NUT M10x1		



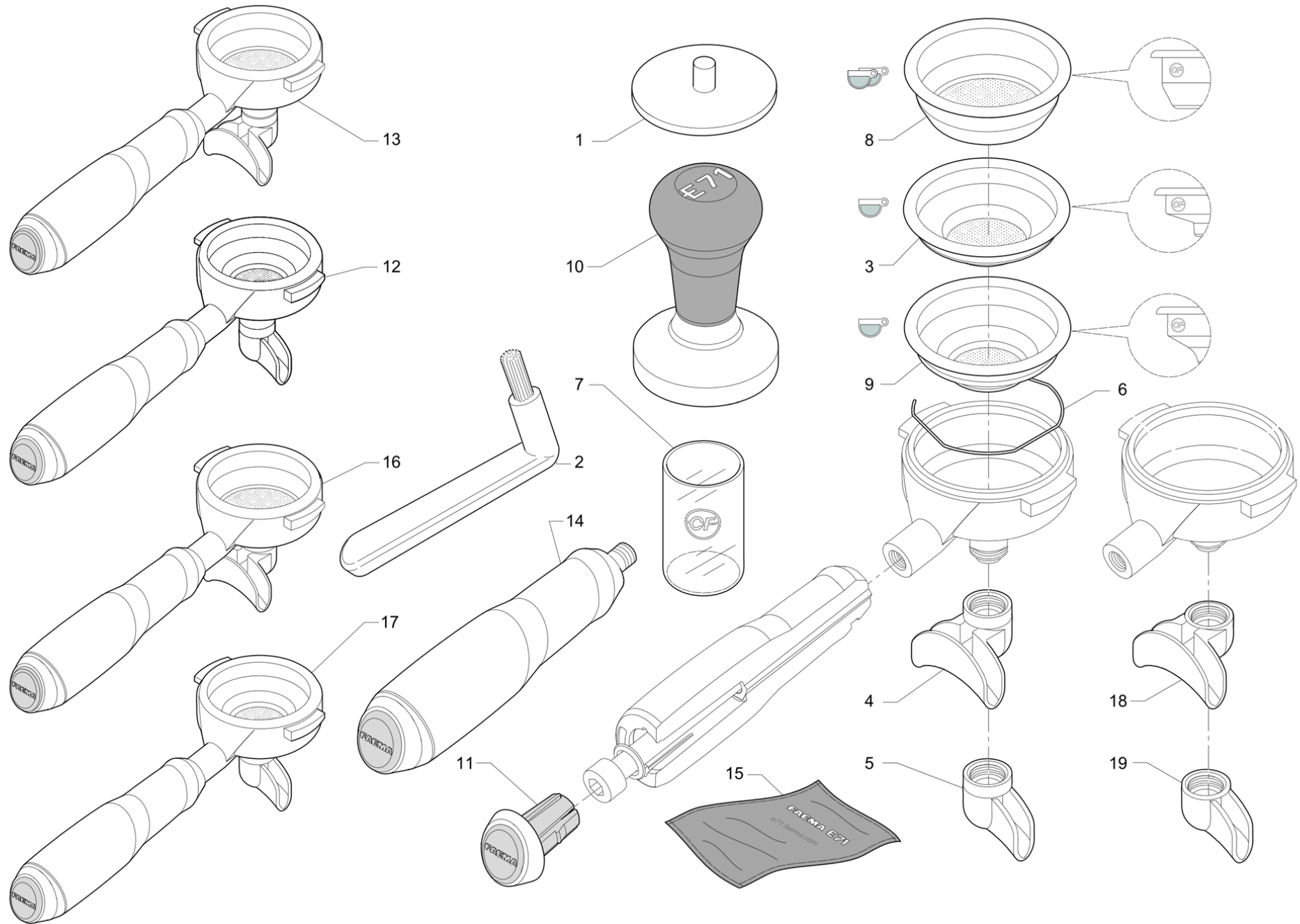
Pos	Part Number	Description	Validity	Notes
1	421214000	WIRE		
1	910414010	MAIN CABLE 4X3,5	M:JP	
1	946296000	SUPPLY CABLE 5x1.5mm2	N:KTL	
2	530901910	TRASFORMER		
3	530991100	AC/DC POWER SUPPLY UNIT 100W 24V		
4	531194720	SFTY. THERMOSTAT		
5	531404200	PHASE FILTER 115/250V 50/60 Hz		
6	531503520	CONTACTOR 4P 220/240V		
6	531508600	MINI-COUNTER 20A 200V 50/60Hz	M:JP	
7	532024500	SWITCH		
7	532091300	GREEN BIPOLAR SWITCH	N:KTL	
8	532123300	CORD FIXING LOCK		
9	532161500	TERMINAL BOARD		
10	532170500	MEMBRANE CABLE LAY		
11	532174600	SPACER		
12	532175700	TERMINAL BOARD		
13	532760600	SPACER		
14	535942020	E71 CABLING		
15	535967010	2GR E71 CABLING		
15	535941020	3 GR E71 CABLING		
16	538015010	BLUETOOTH MODULE		
17	537059410	NEWTON CPU BOARD		
	⇒ 947758030	NEWTON CPU BOARD		
18	947987010	LIGHT AND TURBOSTEAM SUPPORT CARD		
	⇒ 947987000	LIGHT AND TURBOSTEAM CARD		
19	947988000	TRIAC NEWTON BOARD		
20	947132000	CABLE GLAND		
21	983115031	ELECTRIC BOX COVER UL		
	⇒ 983115011	ELECTRIC BOX COVER UL		
22	532178800	LAMELLAR TERMINAL BOARD		
23	535982000	FUSES ADAPTOR	N:UL	
24	530111000	FUSE HOLDER	N:UL	
25	530112200	FUSE CC15 A	N:UL	
26	532170400	FIXCABLE	N:UL	
27	530114300	WIRING	N:UL	
28	530491000	SUPPLY WIRE MONO3X4	M:AU	

Per i particolari non codificati vedere la tabella
 Pour les pièces détachées pas codifiées se référer aux vues éclatées
 For the parts not listed, please refer to the table
 Bezüglich der nicht kodifizierten Ersatzteile bitte die Tabelle verwenden
 Por los repuestos no codificados rogamos de utilizar la tabula
 Pelos particulares no codificados outar as tabela

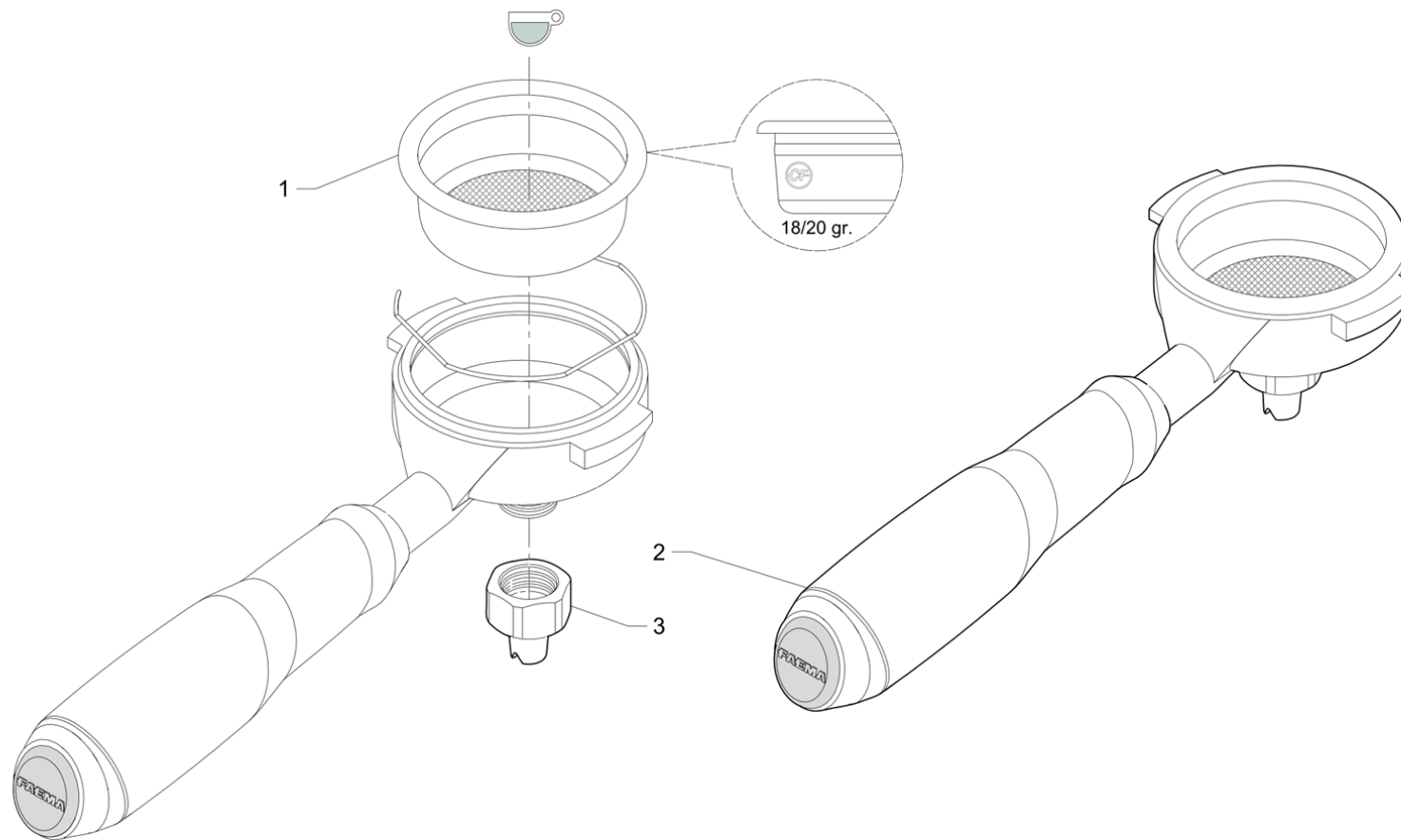
➔ **BT-K01**



Pos	Part Number	Description	Validity	Notes
1	537067510	SCHEMA CPU IDEA RIC.		
2	536305010	Main cable - 2 & 3GR GTI		
3	538165000	POWER SUPPLY		
4	937075000	FAIRLEAD		
5	536346000	M100 IDEA AT GT 2/3Gr		
6	713741000	TRIAC BOARD		



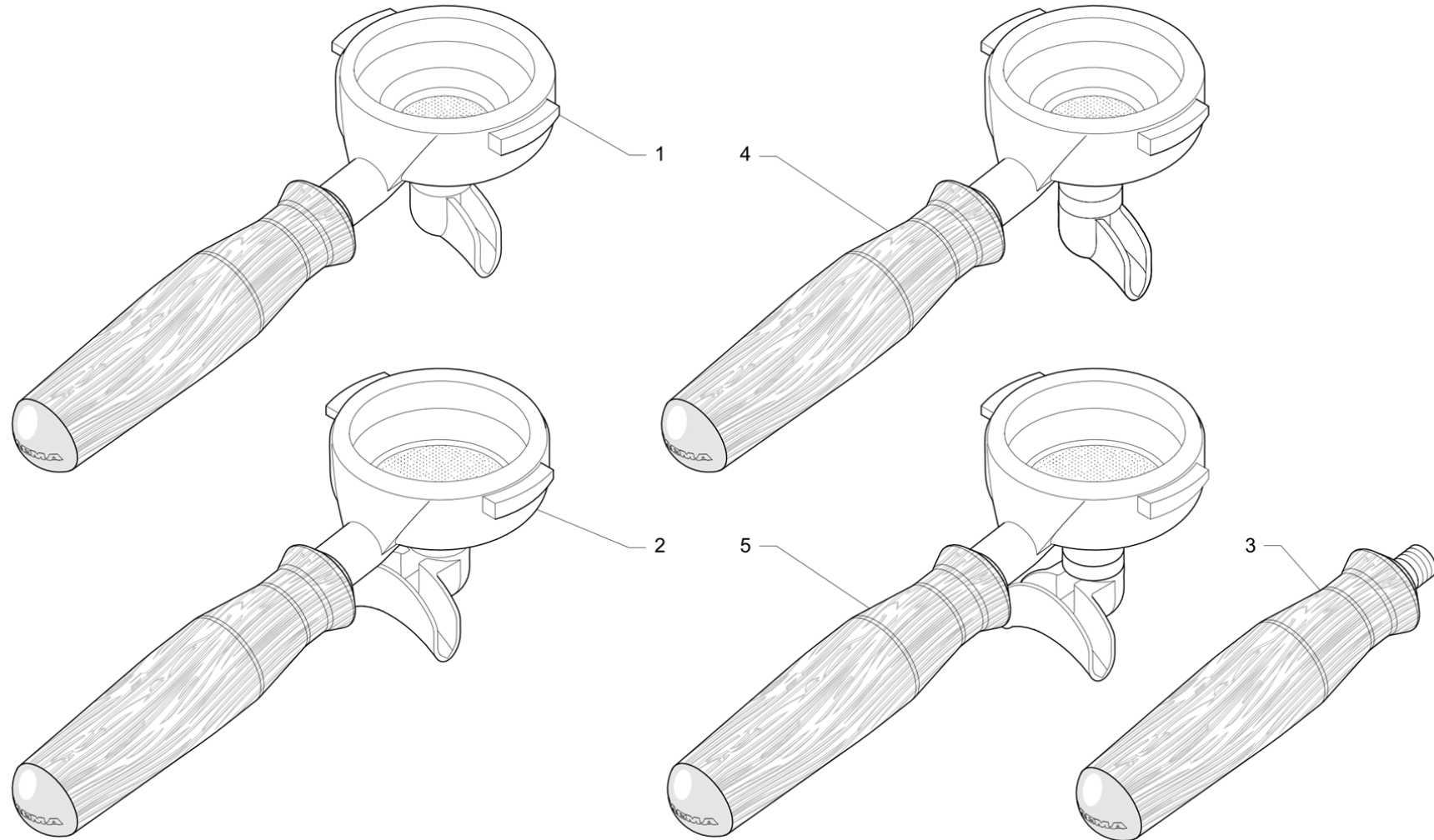
Pos	Part Number	Description	Validity	Notes
1	457058000	DISK CLEANING GROUP		
2	457062020	BELL CLEANING BRUSH		
	⇔ 457062000	BRUSH		
3	457362000	1-CUP FILTER LOW		
4	457568000F	2-WAY SPOUT ASS. (E)		
5	457569000F	1-WAY SPOUT ASS. (E)		
6	457874000	SPRING FOR LOCKING THE COFFEE FILTER		
7	965074010	MEASURE		
8	983182000	BARISTA FILTER FOR 2 COFFEES		
8	457369000	2-CUP FILTER		
9	983183000	BARISTA FILTER FOR 1 COFFEE H=22.5		
10	983207000	TAMPER E71		
11	983536000	FILTER-HOLDER KNOB CAP E71		
12	957859010F	FAEMA 1-WAY DESMOPAN/STAINLESS STEEL FIL		
	⇔ 983748000	E71 1-WAY FILTER-HOLDER ASS.		
12	983874010F	E71 1-WAY NSF FILTER-HOLDER ASSY	N:NSF	
	⇔ 983874000F	E71 1-WAY FILTER-HOLDER ASS.	N:NSF	
13	957849010F	FAEMA DESMOPAN/STAINLESS STEEL FILTER-HO		
	⇔ 983749000	E71 2-WAY FILTER-HOLDER ASS.		
13	957849010F	FAEMA DESMOPAN/STAINLESS STEEL FILTER-HO	N:NSF	
	⇔ 983875000F	E71 2-WAY FILTER-HOLDER ASS. NSF	N:NSF	
14	983841000	FILTER-HOLDER GRIP E71		
15	983209000	CLOTH E71		
16	957849010F	FAEMA DESMOPAN/STAINLESS STEEL FILTER-HO		
	⇔ 983887000F	HV E71 2-WAY FILTER-HOLDER ASS.		
16	983954000F	FILTER HOUSING ASS.E71 2-WAY HV NSF	N:NSF	
17	983886010F	HV E71 1-WAY FILTER-HOLDER ASS.		
	⇔ 983886000F	HV E71 1-WAY FILTER-HOLDER ASS.		
17	983955000F	FILTER HOUSING ASS. E71 1-WAY HV NSF	N:NSF	
18	457380027	2-WAY SPOUT BODY (F)		
19	457379017	1-WAY SPOUT		



Pos	Part Number	Description	Validity	Notes
1	983292000F	2-COFFEE COMPETITION FILTER 18/20gr		
2	983917000F	E71 1-WAY SPECIAL FILTER-HOLDER ASS.		
3	457417017F	1-WAY SPOUT WITH NOTCH		

Per i particolari non codificati vedere la tabella
 Pour les pièces détachées pas codifiées se référer aux vues éclatées
 For the parts not listed, please refer to the table
 Bezüglich der nicht kodifizierten Ersatzteile bitte die Tabelle verwenden
 Por los repuestos no codificados rogamos de utilizar la tabula
 Pelos particulares no codificados outar as tabela

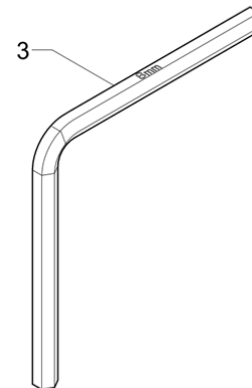
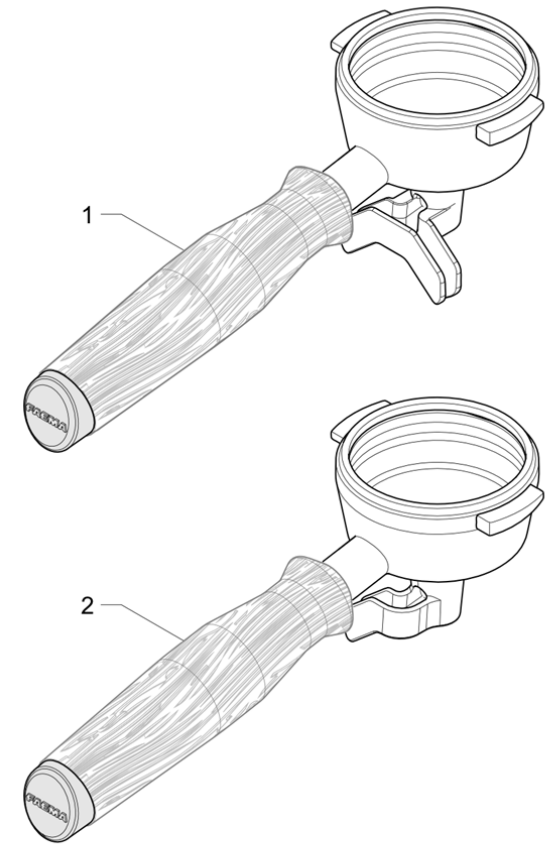
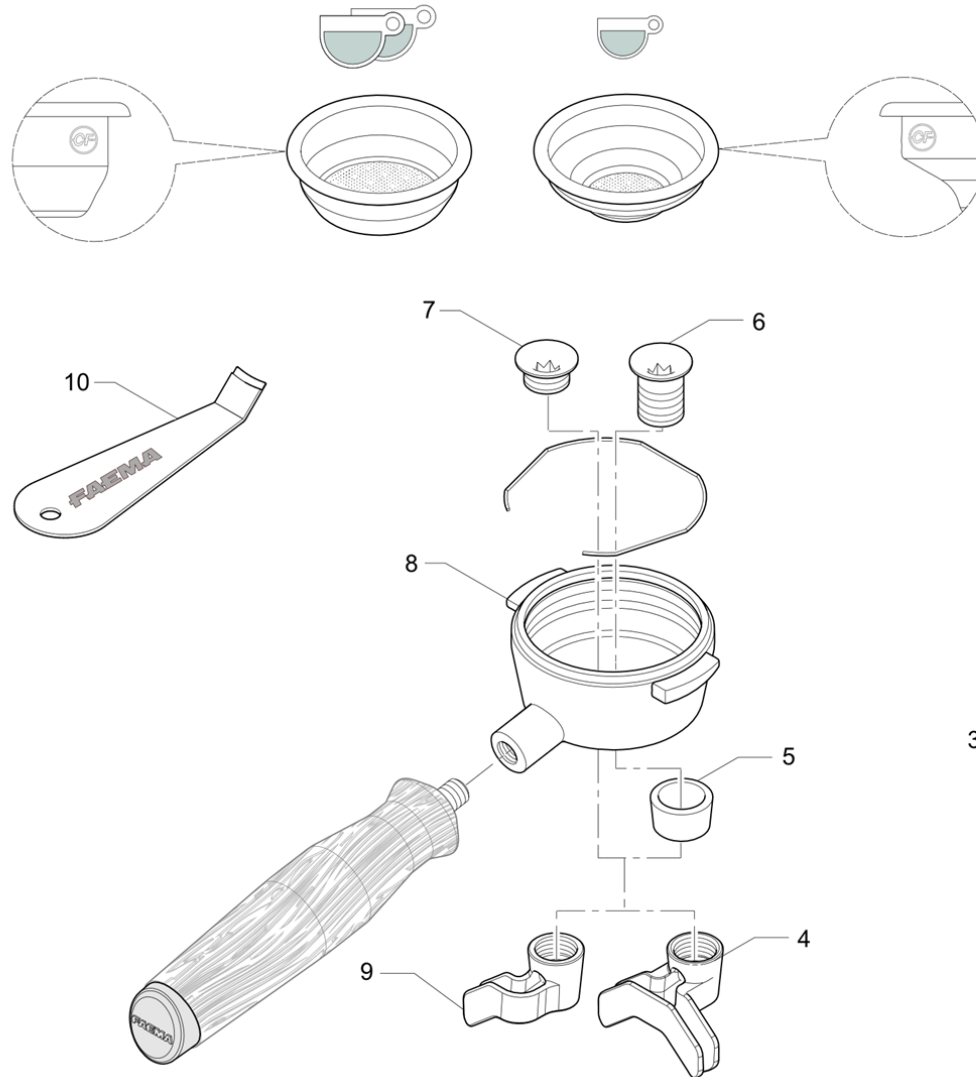
➔ **BT-M01**



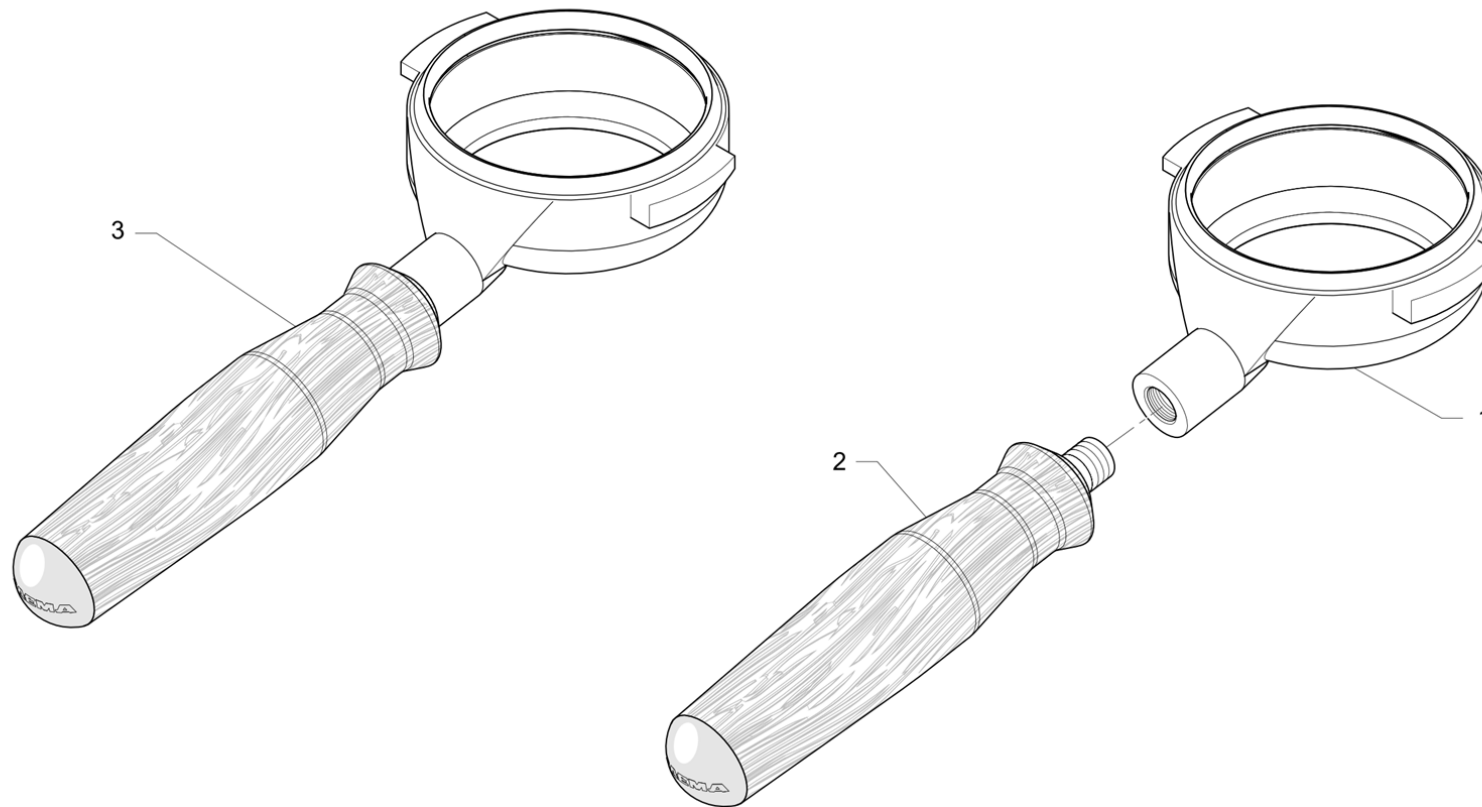
Pos	Part Number	Description	Validity	Notes
1	995840000F	1-WAY FILTER HOLDER E71	C:WD	
2	995841000F	2-WAY FILTER HOLDER E71 HV	C:WD	
3	995883000	WOOD FILTER HOLDER LEVER	C:WD	
4	957859010F	FAEMA 1-WAY DESMOPAN/STAINLESS STEEL FIL		
	⇒ 995944000F	1-WAY FILTER-HOLDER - WOOD		
5	957849010F	FAEMA DESMOPAN/STAINLESS STEEL FILTER- HO		
	⇒ 995945000F	2-WAY FILTER-HOLDER - WOOD		

Per i particolari non codificati vedere la tabella
 Pour les pièces détachées pas codifiées se référer aux vues éclatées
 For the parts not listed, please refer to the table
 Bezüglich der nicht kodifizierten Ersatzteile bitte die Tabelle verwenden
 Por los repuestos no codificados rogamos de utilizar la tabula
 Pelos particulares no codificados outar as tabela

➔ **BT-M01**



Pos	Part Number	Description	Validity	Notes
1	957846010F	FAEMA STAINLESS STEEL/WOODEN 2-WAY FILTE		
2	957858010F	FAEMA STAINLESS STEEL/WOODEN 1-WAY FILTE		
3	629000300	8" ALLEN KEY		
4	457437000F	FAEMA 2-WAY NEW STEEL SPOUT		
5	457442000F	FILTER-HOLDER* S.STEEL SPACER		
6	457444000F	SPOUT LONG SCREW		
7	457443000F	SPOUT SHORT SCREW		
8	457434000F	FAEMA STAINLESS STEEL FILTER-HOLDER CUP		
9	457440000F	FAEMA 1-WAY NEW STEEL SPOUT		
10	629000760	FAEMA FILTER REMOVAL LEVER		



Pos	Part Number	Description	Validity	Notes
1	983303007F	FAEMA NAKED FILTER-HOLDER		
2	995883000	WOOD FILTER HOLDER LEVER		
3	995999000F	E71 NAKED WOOD FILTER HOUSING		

