

BEZZERA

Dal 1901

ARIA

COD. 9942075

REV. 00 ed



BEZZERA

ARIA

TABLE 1
ARIA

| POS | CODE | DESCRIPTION |
|-----|--------------|---|
| 1 | 5961841 | ASSY CUPS-HEATER ARIA |
| 2 | 7474212 | ADHESIVE FEET |
| 3 | 7816002 | SCREW TCEI M4X12 UNI 5931 A2 |
| 4 | 5056357LW | CUPS-HEATER |
| 5 | 5058706LL | TANK SUPPORT W/COMPASSES |
| 6 | 5074925SG1 | ARIA FRONTAL GROUP |
| 6 | 5074925SG | ARIA FRONTAL GROUP BEFORE FEBRUARY 2022 |
| 6A | 5074926SG | ARIA PID FRONTAL GROUP |
| 7 | 5261018 | WIRED DISCHARGE GRID |
| 8 | 7823001TP | HEADLESS SCREW 1/8 |
| 9 | 5225230NC | FITTING 3/8"G NICKEL |
| 10 | 5340510LL | COMPLETE TRAY W/HOLE |
| 10 | 5340542 | BLACK COMPLETE TRAY W/HOLE |
| 10 | 5340543 | WHITE COMPLETE TRAY W/HOLE |
| 10 | 5340544 | RED COMPLETE TRAY W/HOLE |
| 11 | 5492022 | GASKET D25 X 17 X 2 ASBESTOS FREE |
| 12 | 5224403.01NC | RUBBER-HOLDER |
| 13 | 5968138 | ASSY BLACK TRAY W/DISCHARGE |
| 13 | 5968139 | ASSY WHITE TRAY W/DISCHARGE |
| 13 | 5968140 | ASSY RED TRAY W/DISCHARGE |
| 13 | 5968137 | ASSY TRAY W/DISCHARGE |
| 14 | 5073645LL | BODY PLATE MIRROR W/COMPASSES |
| 14 | 5053601LL | BODY PLATE MATT BLACK W/COMPASSES |
| 14 | 5053601LL1 | BODY PLATE WOOD W/COMPASSES |
| 15 | 7373009.01 | TANK 3 LITERS |
| 16 | 5522520.01 | BEZZERA LABEL + LOGO BLACK |
| 17A | 5051715LL1 | CATHEDRAL WHITE BODY W/COMPASSES |
| 17A | 5051715LL2 | CATHEDRAL RED BODY W/COMPASSES |
| 17A | 5051715LL | CATHEDRAL MATT BLACK BODY W/COMPASSES |
| 17 | 5071738LL | SQUARES MIRROR BODY + COMPASSES |

BEZZERA

ARIA

TABLE 1
ARIA

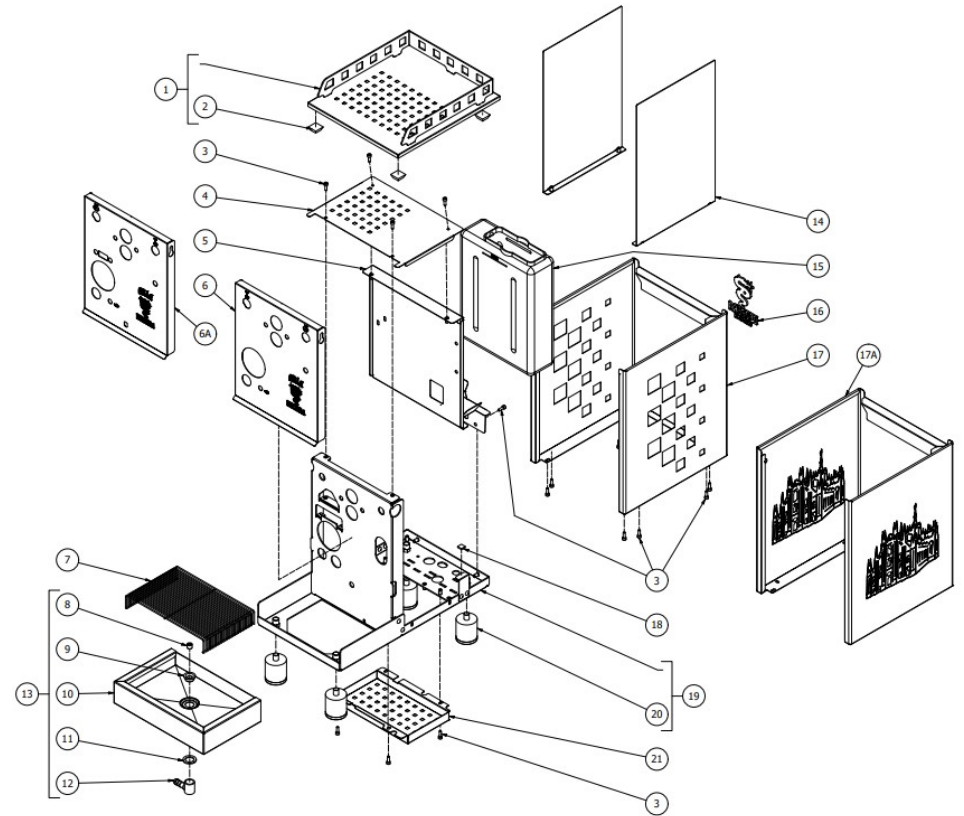


TABLE 1
ARIA

| POS | CODE | DESCRIPTION |
|-----|------------|-------------------------------------|
| 17 | 5051712LL | SQUARES MATT BLACK BODY W/COMPASSES |
| 17 | 5051712LL1 | SQUARES WHITE BODY W/COMPASSES |
| 17 | 5051712LL2 | SQUARES RED BODY W/COMPASSES |
| 18 | 7474221 | ADHESIVE SQUARE FOOT 10.2 H2,5 |
| 19 | 5964729 | ASSY FRAME ARIA |
| 20 | 7474218VN | FOOT M10 D40X46 MATT BLACK |
| 21 | 5053053LW | FRAME BASE COVER |
| 21 | 5053053VN | BLACK FRAME BASE COVER |

TABLE 1
ARIA

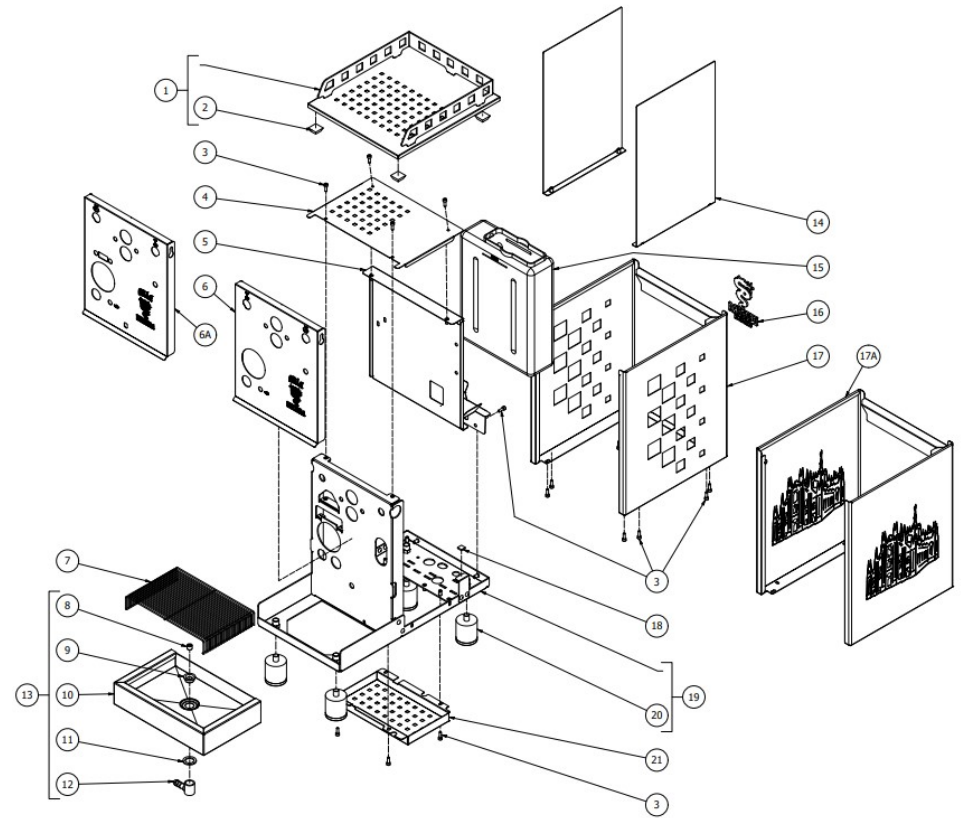


TABLE 2
ARIA

| POS | CODE | DESCRIPTION |
|-----|--------------|--|
| 1 | 7400909 | PUMP CAPILLARY |
| 2 | 5194690 | PTFE PIPE 6X440 |
| 3 | 7304538TR | FITTING |
| 4 | 7304545TR | CROSS FITTING 1/8 |
| 5 | 7702322.01 | EV.2WAY OLAB 220/230V 25BAR SMALL COIL |
| 5 | 7702415.01 | EV.2 WAY 240V 25BAR SMALL COIL |
| 5 | 7701123.01 | EV.2 WAY 110V 25BAR SMALL COIL |
| 6 | 5301504AL | ELBOW FITTING M12X1/8 |
| 7 | 5965212.01AL | ASSY OPV ADJUST. 9/12 BAR |
| 8 | 5223003 | JET M6 X 6 HOLE D0.8 OT |
| 9 | 5162502LL | LOAD EXCHANGER PIPE |
| 10 | 5162501LL | LOAD BOILER PIPE |
| 11 | 7432524.02 | PRESSURE GAUGE D60 1/8 |
| 12 | 5194591 | SILICON PIPE D6X4 L=550 |

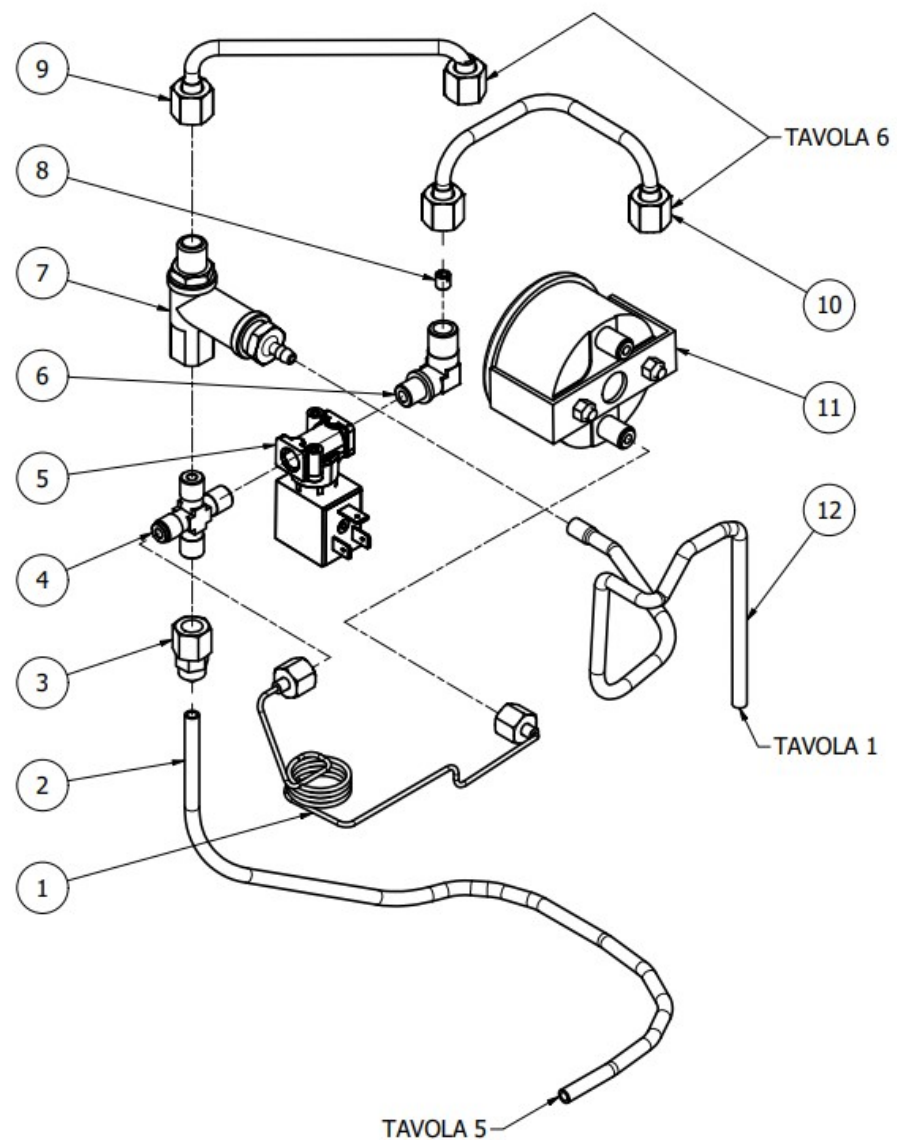
TABLE 2
ARIA

TABLE 3
ARIA

| POS | CODE | DESCRIPTION |
|-----|--------------|-------------------------------------|
| 1 | 7372004 | WOODEN KNOB |
| 1 | 7371511.01 | BLACK LEVER KNOB I.622/40-M8 |
| 2 | 5222823CM | FERRULE 3/8 |
| 3 | 5221826CM | NUT 3/8 |
| 4 | 5225610 | ARTICULATED JOINT M8 |
| 5 | 5260204DL | SHAFT D12X47 AISI303 POLISH |
| 6 | 5471513 | SPRING D8 H17 AISI302 |
| 7 | 5261801 | WASHER D11 |
| 8 | 5494004 | GASKET D12 X 6 PTFE GRAPHITIZED |
| 9 | 5283066TW | BODY TAP 3/8 |
| 10 | 5496042 | GASKET D11X4X4 EPT 70 |
| 11 | 5224603AL | GASKET HOLDER D12X12 OT57USA |
| 12 | 7814201 | WASHER 14 DIN6798J A2 |
| 13 | 7496052 | OR GASKET 114 VITON |
| 14 | 5225416.01AL | FITTING M14XM13 ES19 H31 WITHOUT OR |
| 15 | 5471532.01 | SPRING FOR ARTICULATION |
| 16 | 5190501 | CUP FOR FITTING PTFE/GLASS |
| 17 | 5966576 | WATER PIPE 45° |
| 18 | 5226601TW | WATER HOSE TERMINAL |
| 19 | 5966575 | STEAM PIPE 45° |
| 20 | 5964111 | ASSY STEAM LEVER TAP 45° WOOD |
| 20 | 5964110 | ASSY LEVER TAP + STEAM PIPE |
| 21 | 5964112 | ASSY WATER LEVER TAP 45° WOOD |
| 21 | 5964109 | ASSY LEVER TAP + WATER PIPE |

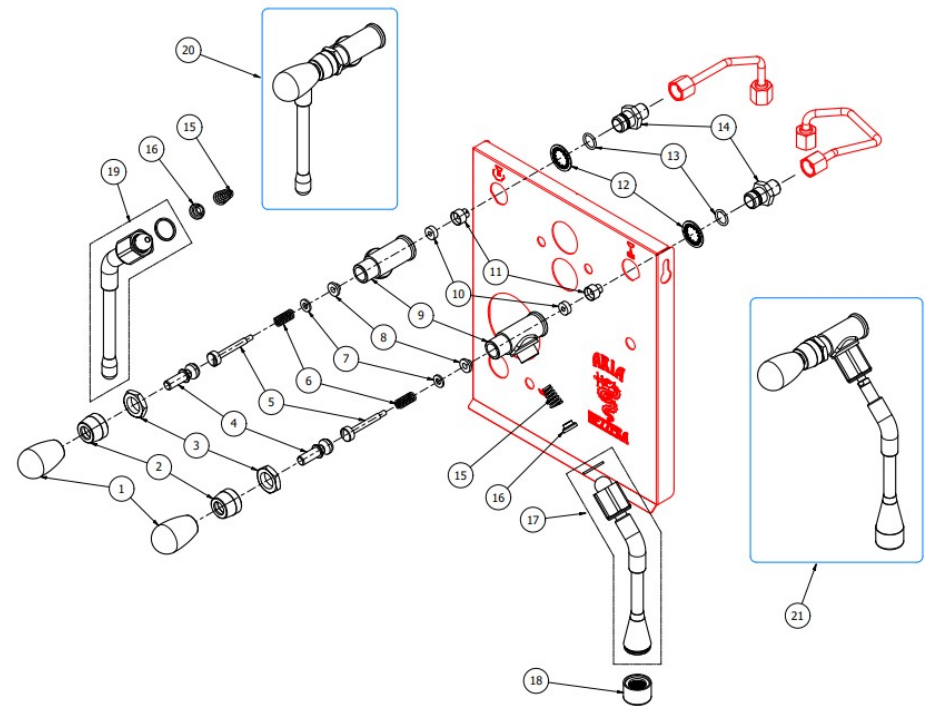
TABLE 3
ARIA

TABLE 4
ARIA

| POS | CODE | DESCRIPTION |
|-----|------------|--------------------------------------|
| 1 | 7479952 | UPPER ASSY PLUG |
| 2 | 7479953 | GASKET TF 22X17X2 |
| 3 | 7479954 | INOX FILTER D.8,5X22 |
| 4 | 7479955.01 | INJECTOR CH7X9 M6X0.75 HOLE 0.7 INOX |
| 5 | 7479956.01 | UPPER SLEEVE ASSY |
| 6 | 7479933.01 | INJECTOR 0,7 UPPER SLEEVE ASSY |
| 7 | 7479934 | GASKET OR 128 VITON |
| 8 | 7479935 | GASKET TF Ø35X30X2 |
| 9 | 7479936 | DELIVERY VALVE SPRING |
| 10 | 7479937 | DELIVERY VALVE ASSY |
| 11 | 7479939 | SCREW TCE M6X8 |
| 12 | 7479938 | GASKET TF 10X6X1 |
| 13 | 7479940AL | LEVER BODY GROUP CHROMED OT57 |
| 14 | 7479941 | SPRAYER D.30 |
| 15 | 5471022 | INOX SHOWER FILTER |
| 16 | 5493039 | GASKET H8 |
| 17 | 7479946 | ASSEMBLY VALVE |
| 18 | 7479942 | SPRING GUIDE BUSHING |
| 19 | 7479957 | LOWER SLEEVE ASSY |
| 20 | 7479943 | ASSEMBLY RELIEF VALVE |
| 21 | 7479944 | DRAIN SPRING |
| 22 | 7479945 | JET-BREAKER BUSHING Ø15X6 |
| 23 | 7479960 | GASKET TF D26x21x2 |
| 24 | 7479961 | GROUP BOTTOM FITTING |
| 25 | 7479951 | CAMS LOCK STUD |
| 26 | 7479950 | GROUND CAMS TREE |
| 27 | 7479967 | CAM FLANGE |
| 28 | 7479968 | WASHER EP079 15.5X7.5X4 |
| 29 | 7479969 | BUSHING |
| 30 | 7479970 | SPRING |

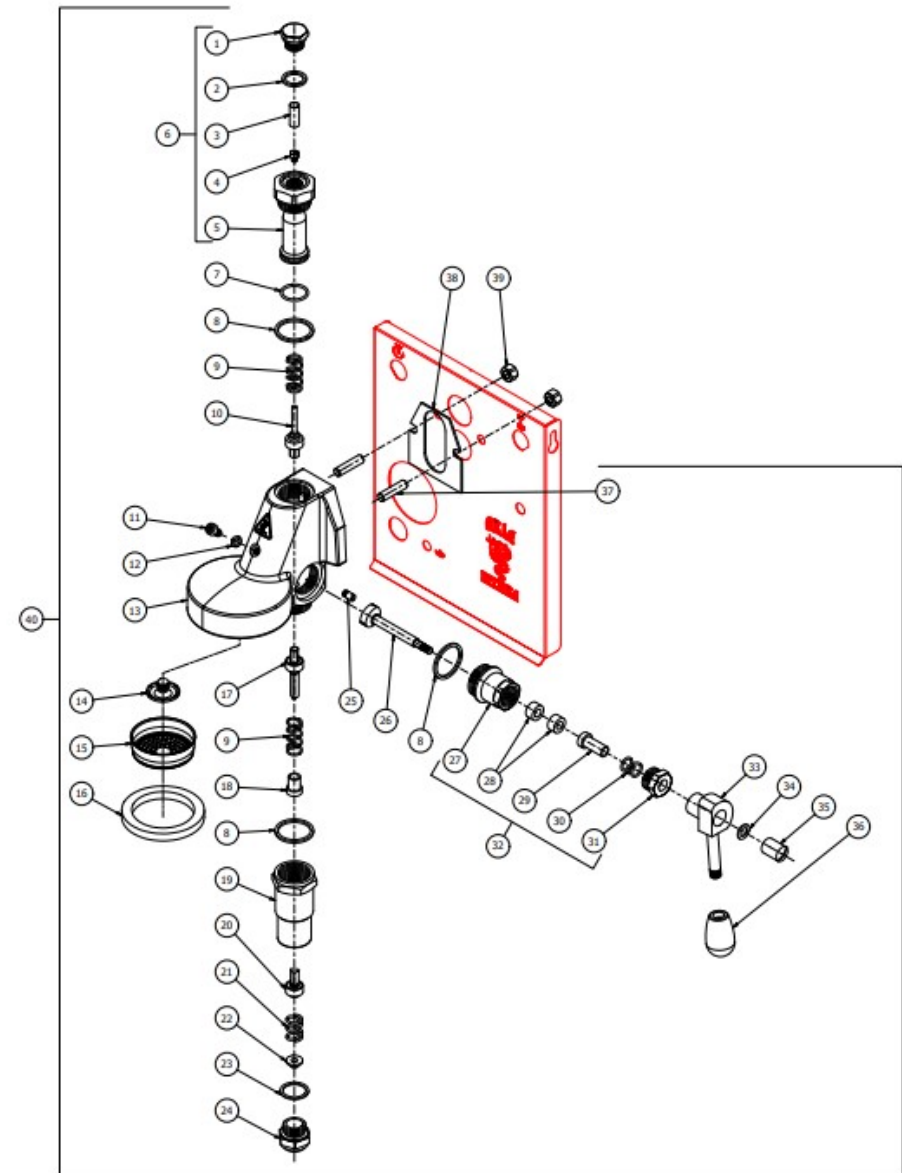
TABLE 4
ARIA

TABLE 4
ARIA

| POS | CODE | DESCRIPTION |
|-----|--------------|---------------------------------|
| 31 | 7479971 | PLUG CHROMED |
| 32 | 7479949 | CAM FLANGE ASSY |
| 33 | 7479931 | DELIVERY LEVER |
| 34 | 7479947 | WASHER D8 |
| 35 | 7479948 | CAP D15XM6 |
| 36 | 7371511.01 | BLACK LEVER KNOB I.622/40-M8 |
| 36 | 7372004 | WOODEN KNOB |
| 37 | 5267013 | TIE ROD M8X31 ASTM A 193 B8 C/1 |
| 38 | 7493011 | INSULATING |
| 39 | 7811402 | NUT M8 UNI5587 A2 |
| 40 | 5963545.02AL | ASSY GROUP E61 OT57 |
| 40 | 5963576.01AL | ASSY E61 GROUP OT57 (WOOD) |

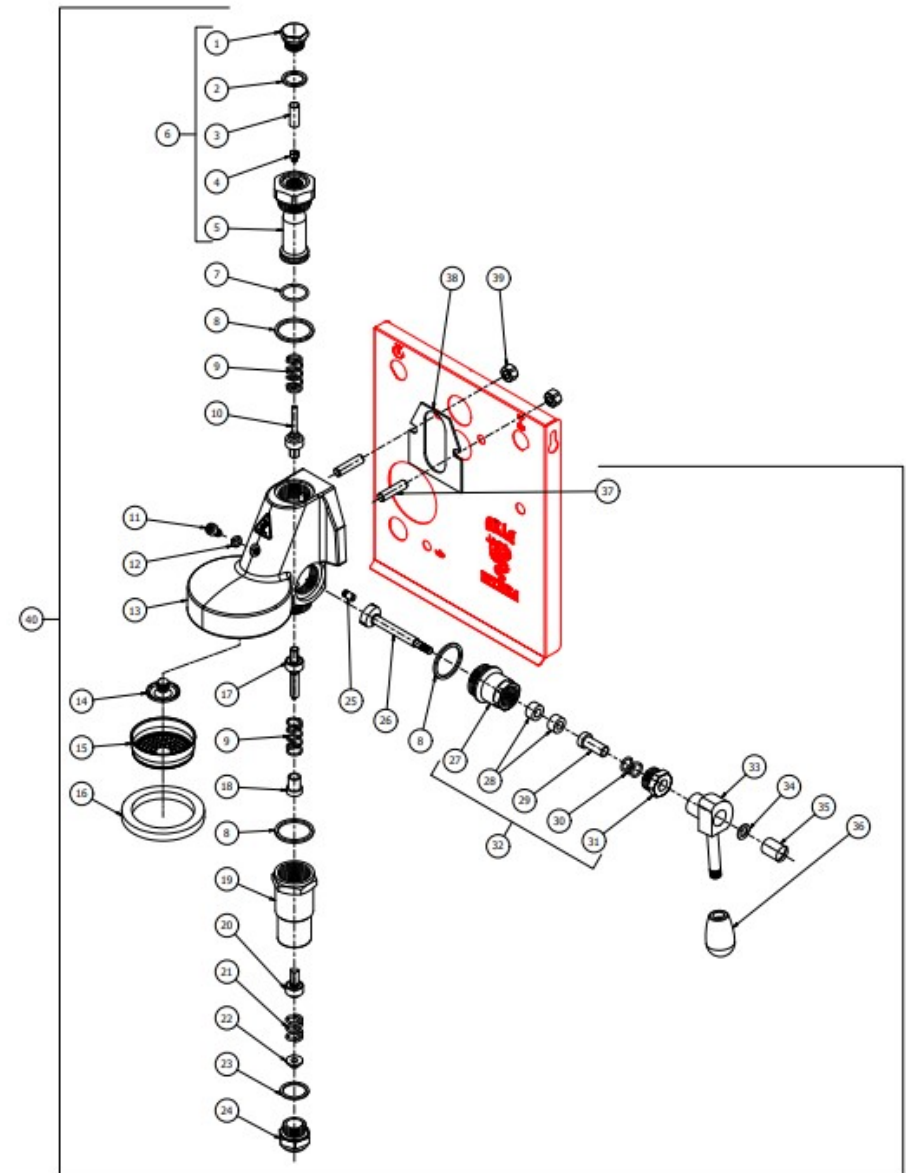
TABLE 4
ARIA

TABLE 5
ARIA

| POS | CODE | DESCRIPTION |
|-----|-----------|---------------------------------|
| 1 | 7742405 | ELECTRIC MOTOR 220/240V |
| 1 | 7741007 | ELECTRIC MOTOR 110-115V 50/60HZ |
| 2 | 7730514 | ROTATIVE PUMP 70L/H COMPACT |
| 3 | 7812601 | INOX NUT M4 UNI5588 |
| 4 | 7814001 | WASHER D4 DIN 6798A A2 |
| 5 | 5058508LW | MOTOR SUPPORT PUMP SIDE |
| 6 | 7816017 | SCREW TCEI M4X6 |
| 7 | 7374015 | WATER FILTER 200 MICRON |
| 8 | 5194690 | PTFE PIPE 6X440 |
| 9 | 5194585 | SILICON PIPE 8x5x700 |
| 10 | 7303068 | FITTING M 1/4 |
| 11 | 7303069 | RUBBER-HOLDER FITTING M 1/4 |
| 12 | 7730514 | ROTATIVE PUMP 70L/H COMPACT |
| 13 | 7819921 | SCREW M3x10 |
| 14 | 7470604 | VIBRATION-DAMPING |
| 15 | 5058507LW | MOTOR SUPPORT |

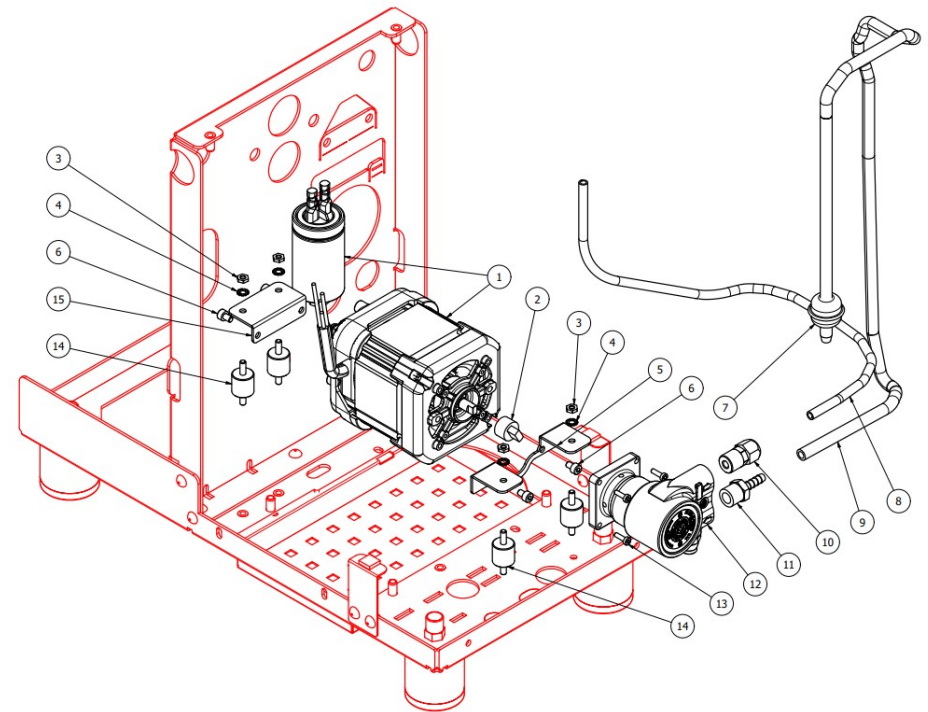
TABLE 5
ARIA

TABLE 6
ARIA

| POS | CODE | DESCRIPTION |
|-----|------------|-----------------------------------|
| 1 | 5329029DC | EXCHANGER W/SCREWS |
| 2 | 5494024 | EXCHANGER UNDERSCREW GASKET M5 |
| 3 | 7816021 | SCREW TCEI M5X25 UNI 5931 A2 |
| 4 | 5302006AL | FITTING M12X1/8 |
| 5 | 5192320 | DRAW OUT D6X1 L=60 PTFE |
| 6 | 5130501 | COPPER WASHER 13.5X18X1,5 |
| 7 | 5223025AL | GICLEUR 1/8 3 HOLES |
| 8 | 5225201AL | FITTING 1/4 |
| 9 | 5164094LL | ASSY COPPER PIPE |
| 10 | 5265804 | LEVEL PROBE D3 X 110 X 6.3 |
| 11 | 5192001 | PROBE SHEATH D8 X 45 HOLE D3 PTFE |
| 12 | 5225205 | STRAIGHT FITTING M10 OT |
| 13 | 5225209AL | FITTING M10X1/4 |
| 14 | 7400909 | PUMP CAPILLARY |
| 15 | 7433013 | PRESSOSTAT XP/100 1/4 |
| 16 | 5492028 | GASKET D10.5X4X3 |
| 17 | 5162504LL | PRESSOSTAT PIPE |
| 18 | 5162500LL | WATER TAP PIPE |
| 19 | 5192301 | SUCTION D6X1 L=130MM PTFE |
| 20 | 5302075AL | FITTING M13-1/8"G |
| 21 | 7663573.01 | RESISTANCE CONNECTION CABLE |
| 22 | 7814001 | WASHER D4 DIN 6798A A2 |
| 23 | 7816409 | SCREW TE M4X8 UNI 5739 A2 |
| 24 | 7451506 | MINI VALVE MINI BALL 1/4-1/8 |
| 25 | 5492019 | GASKET D8 X 2 ASBESTOS FREE |
| 26 | 5221835 | CAP NUT 1/8 |
| 27 | 7816422 | SCREW TE M6X14 UNI 5739 OT |
| 28 | 5058709LL | BOILER SUPPORT WITH COMPASSES |
| 29 | 7816409 | SCREW TE M4X8 UNI 5739 A2 |
| 30 | 7822603 | NUT M4 OT |

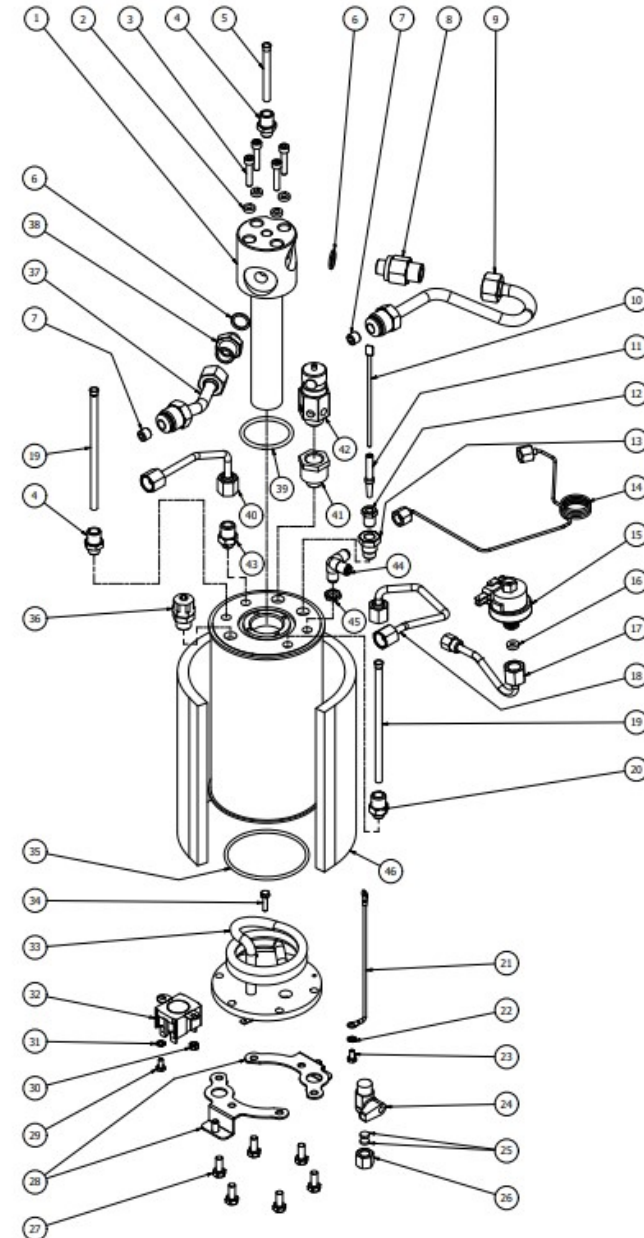
TABLE 6
ARIA

TABLE 6
ARIA

| POS | CODE | DESCRIPTION |
|-----|------------|--|
| 31 | 7814001 | WASHER D4 DIN 6798A A2 |
| 32 | 7634819.01 | THERMIC PROTECTION 250V 130°C FASTON 90° |
| 33 | 5722263AL | HEATING ELEMENT 120V-1200W |
| 33 | 5722261AL | HEATING ELEMENT 220/240V-1100/1300W |
| 34 | 7826402 | SCREW TE M4X16 UNI 5739 OT |
| 35 | 7496040 | OR GASKET D73 X 3 VITON |
| 36 | 7452511.01 | ANTI-PRESSURE VALVE RC OT + TF |
| 37 | 5164093LL | ASSY COPPER PIPE |
| 38 | 5302078AL | FITTING 3/8 |
| 39 | 7496102 | OR GASKET RED SILICON |
| 40 | 5162499LL | STEAM TAP PIPE |
| 41 | 5225423AL | REDUCTION FITTING 1/4 3/8 |
| 42 | 7452509.02 | SAFETY VALVE 3/8 |
| 43 | 5302075AL | FITTING M13-1/8"G |
| 44 | 7304505TR | FITTING 3 WAYS 1/8 |
| 45 | 5221844 | NUT 1/8 |
| 46 | 9991028 | BOILER COVER |

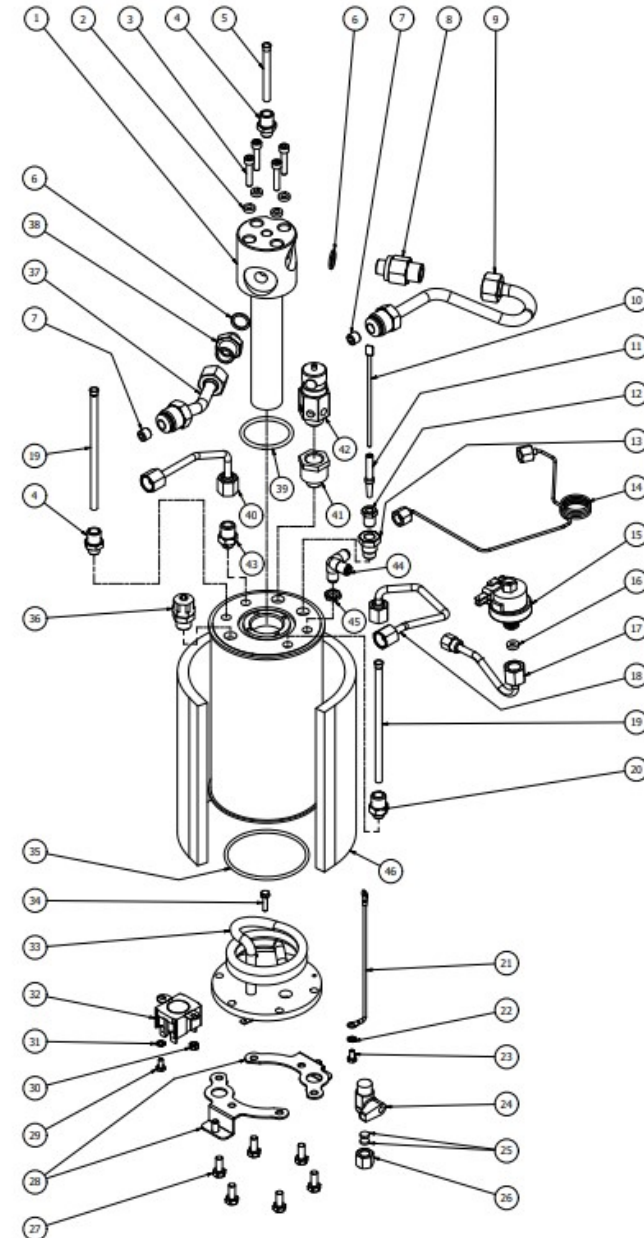
TABLE 6
ARIA

TABLE 7
ARIA

| POS | CODE | DESCRIPTION |
|-----|-----------|-------------------------------------|
| 1 | 7816002 | SCREW TCEI M4X12 UNI 5931 A2 |
| 2 | 7819404 | TAPPING SCREW TPS D2.9X9.5 UNI 6952 |
| 3 | 5058708LW | CONTROL UNIT SUPPORT |
| 4 | 7635426 | RELAIS SSR COMPACT |
| 5 | 7661007R | LEVEL REGULATOR 220/240V 50/60HZ |
| 5 | 7661006R | LEVEL REGULATOR 100/120V 50/60HZ |
| 6 | 7812401 | NUT M4 UNI7473 A2 AUTO BLOCK |
| 7 | 5058707LL | ELECTRIC SUPPORT PARTS W/COMPASSES |
| 8 | 7613014 | CABLE PASS 22.3x9.8X56.8 |
| 9 | 7666011 | TANK SENSOR |
| 10 | 7812402 | NUT M3 UNI7473 A2 SELF-LOCKING INOX |
| 11 | 5191510 | SPACER |
| 12 | 7822603 | NUT M4 OT |
| 13 | 7814001 | WASHER D4 DIN 6798A A2 |
| 14 | 7826402 | SCREW TE M4X16 UNI 5739 OT |
| 15 | 7555001 | ELECTRIC CABLE WITH SHUKO PLUG |
| 15 | 7555003 | SWISS PLUG CABLE H05VV-F 3X1,5 10A |
| 15 | 7554001 | ELECTRIC CABLE WITH ENGLISH PLUG |
| 15 | 7552001 | ELECTRIC CABLE WITH AUSTRALIAN PLUG |
| 15 | 7551001 | ELECTRIC CABLE WITH USA PLUG L=1.5M |
| 16 | 7614006 | NUT PG13.5 |
| 17 | 7614007 | FAIRLEAD WITH HOLE RUBBER |
| 18 | 7633355SG | SWITCH 110V ON/OFF |
| 18 | 7633354SG | SWITCH 230V ON/OFF |
| 19 | 7633628 | WHITE LAMP |
| 20 | 7633906 | MICROSWITCH 250V |

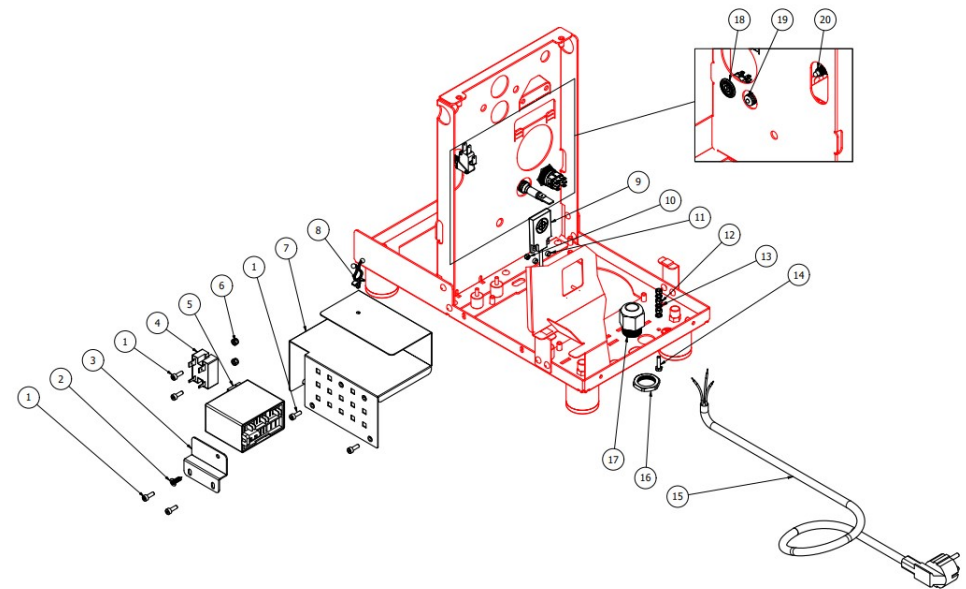
TABLE 7
ARIA

TABLE 8
ARIA

| POS | CODE | DESCRIPTION |
|-----|--------------|---------------------------------------|
| 1 | 5302077AL | FITTING PORT.M14X1 OTXTUBO6X4 OT57USA |
| 2 | 7496052 | OR GASKET 114 VITON |
| 3 | 5471539 | CALIBRATED SPRING D.1,6 |
| 4 | 5224620AL | GASKET-HOLDER ES.12X6.8 OT57USA |
| 5 | 5493042 | GASKET D.11X3 |
| 6 | 5471019 | FILTER D8,5X5 AISI304 |
| 7 | 5283053TP | SURPRESSION VALVE BODY |
| 8 | 7496018 | OR GASKET 105 |
| 9 | 5224615AL | GASKET-HOLDER SURP.VALVE OT57USA |
| 10 | 5471505 | CALIBRATED SPRING D0.45 H22 AISI302 |
| 11 | 5302017AL | FITTING M12 ES16 H26.5 OT57USA |
| 12 | 5965212.01AL | ASSY OPV ADJUST. 9/12 BAR |

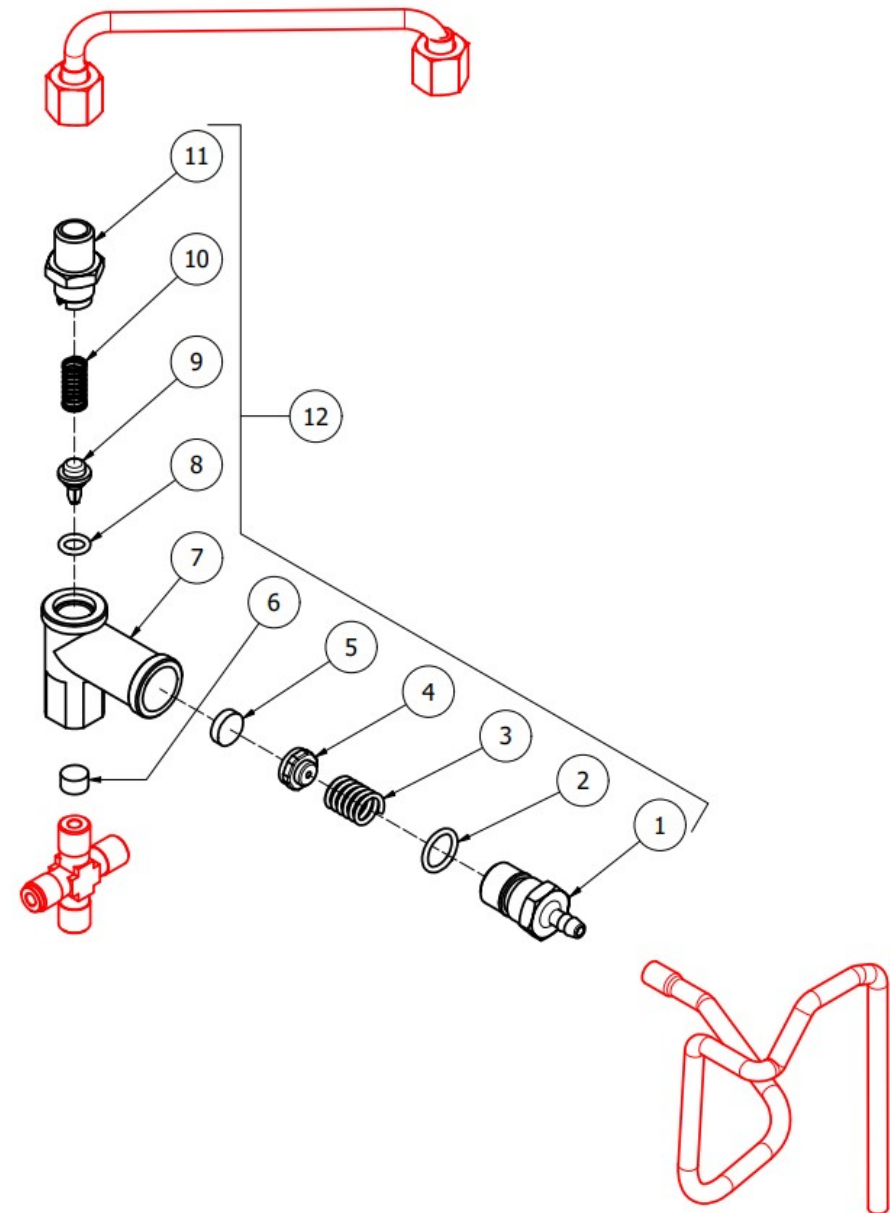
TABLE 8
ARIA

TABLE 9
ARIA

| POS | CODE | DESCRIPTION |
|-----|--------------|--------------------------------------|
| 1 | 5965611R | ASSEMBLY FILTER-HOLDER 2 CUPS E61 |
| 1 | 5965629R | ASSY FILTER-HOLDER E61 2CUPS WOOD |
| 2 | 5373915CM | FILTER-HOLDER PLUG D16.5 |
| 3 | 7371502 | FILTER-HOLDER KNOB |
| 3 | 7371520 | WOODEN FILTER-HOLDER HANDLE |
| 4 | 7305007TW | SPOUT 2 WAYS WITHOUT PB+PWP |
| 5 | 7479972.01TW | RETRO FILTER-HOLDER ONLY HANDLE |
| 6 | 5471527 | FILTER-HOLDER SPRING D1.2 AISI 302 |
| 7 | 7305006TW | SPOUT 1 WAY S/PB+PWP |
| 8 | 5965630R | ASSY FILTER-HOLDER E61 1CUP 80° WOOD |
| 8 | 5965610R | ASSEMBLY FILTER-HOLDER 1 CUP E61 |
| 9 | 5471035 | FILTER 2 CUPS 20 GRAMS |
| 10 | 5471031.01 | FILTER 1 CUP 10 GRAMS |
| 11 | 5471038 | BLIND FILTER AISI304 |
| 12 | 5372101 | BLACK MEASURE |
| 13 | 7990603 | CLEANING BRUSH FOR COFFEE MACHINE |
| 14 | 5963289AN | COFFEE TAMPER WITH BLACK KNOB |

TABLE 9
ARIA