

A	1					2					A	
B	<p>技术要求:</p> <ol style="list-style-type: none"> <li>1. 英文和越南文封面及封底四色印刷, 其余均为黑色 :PANTONE BLACK C</li> <li>2. 纸张规格为A5</li> <li>3. 如果供应商的排版需要加空白页, 请加在封底之前</li> </ol>										B	
C											C	
D												D
标记	处数	分区	更改文件号	签 名	日期	阶段标记		比例				
编 制				校对			REV. 03	1:1				
审 核				性能			数 量	重 量				
审 定				排版			1		佛山市顺德区美的			
批 准				日期			共 1 张		第 1 张			
	1					2						

# User manual



Scan Code For Warranty  
Registration & Policy

**DISHWASHER FREE-STANDING, COUNTER-TOP HDW-T5551B**  
**Products Applied: 538.21.340**

# Dishwasher

## Instruction Manual

### PART I: Generic Version

Please read this manual carefully before using the dishwasher. Keep this manual for future reference.

## CONTENTS

01	<b>SAFETY INFORMATION</b>
02	<b>PRODUCT OVERVIEW</b>
03	<b>USING YOUR DISHWASHER</b> Loading The Salt Into The Softener
	<b>MAINTENANCE AND CLEANING</b>
04	External Care Internal Care Caring For The Dishwasher
	<b>INSTALLATION INSTRUCTION</b>
05	About Power Connection Water Supply And Drain Connection Of Drain Hoses <b>Positioning</b> The Appliance Built-In Installation(for the integrated model)
06	<b>TROUBLESHOOTING TIPS</b>
07	<b>LOADING THE BASKETS</b>

### **NOTE:**

- Reviewing the section on **Troubleshooting Tips** will help you solve some common problems by yourself.
- If you cannot solve the problems by yourself, please ask for help from a professional technician.
- The manufacturer, following a policy of constant development and updating of the product, may make modifications without giving prior notice.
- If lost or out-of-date, you can receive a new user manual from the manufacturer or responsible vendor.

# SAFETY INFORMATION

## ⚠ WARNING

**When using your dishwasher, follow the precautions listed below:**

- Installation and repair can only be carried out by a qualified technician
- This appliance is intended to be used in household and similar applications such as:
  - staff kitchen areas in shops, offices and other working environments;
  - farm houses;
  - by clients in hotels, motels and other residential type environments;
  - bed and breakfast type environments.
- **This appliance can be used by children aged from 8 years and above and persons with reduced physical sensory or mental capabilities or lack of experience and knowledge if they have been given supervision or instruction concerning use of the appliance in a safe way and understand the hazards involved.** Children shall not play with the appliance. Cleaning and user maintenance shall not be done by children without supervision. (For EN60335-1)
- This appliance is not intended for use by persons (including children) with reduced physical, sensory or mental capabilities, or lack of experience and knowledge, unless they have been given supervision or instruction concerning use of the appliance by a person responsible for their safety. (For IEC60335-1)

- Packaging material could be dangerous for children!
- Children should be supervised to ensure that they do not play with the appliance.
- This appliance is for indoor household use only. To protect against the risk of electrical shock, do not immerse the unit, cord or plug in water or other liquid.
- Please unplug before cleaning and maintenance the appliance .Use a soft cloth moisten with mild soap, and then use a dry cloth to wipe it again.
- If the supply cord is damaged, it must be replaced by the manufacturer or its service agent or a similarly qualified person in order to avoid a hazard.



## **Earthing Instructions**

---

- This appliance must be earthed. In the event of a malfunction or breakdown, earthing will reduce the risk of an electric shock by providing a path of least resistance of electric current. This appliance is equipped with an earthing conductor plug.
- The plug must be plugged into an appropriate outlet that is installed and earthed in accordance with all local codes and ordinances.
- Improper connection of the equipment-earthing conductor can result in the risk of an electric shock.
- Check with a qualified electrician or service representative if you are in doubt whether the appliance is properly grounded.

- Do not modify the plug provided with the appliance if it does not fit the outlet.
- Have a proper outlet installed by a qualified electrician.
- Do not abuse, sit on, or stand on the door or dish rack of the dishwasher.
- Do not operate your dishwasher unless all enclosure panels are properly in place.
- Open the door very carefully if the dishwasher is operating, there is a risk of water squirting out.
- Do not place any heavy objects on or stand on the door when it is open. The appliance could tip forward.
- When loading items to be washed:
  - 1) Locate sharp items so that they are not likely to damage the door seal;
  - 2) Warning: Knives and other utensils with sharp points must be loaded in the basket with their points facing down or placed in a horizontal position.
- Some dishwasher detergents are strongly alkaline. They can be extremely dangerous if swallowed. Avoid contact with the skin and eyes and keep children away from the dishwasher when the door is open.
- Check that there are no detergent residues after completion of the wash cycle.
- Do not wash plastic items unless they are marked “dishwasher safe” or the equivalent.

- For unmarked plastic items not so marked, check the manufacturer's recommendations.
- Use only detergent and rinse agents recommended for use in an automatic dishwasher.
- Never use soap, laundry detergent, or hand washing detergent in your dishwasher.
- The door should not be left open, since this could increase the risk of tripping.
- During installation, the power supply must not be excessively or dangerously bent or flattened.
- Do not tamper with controls.
- The appliance needs to be connected to the main water valve using new hose sets. Old sets should not be reused.
- To save energy, in stand by mode, the appliance will switch off automatically after 15 minutes without any user interaction.
- The maximum number of place settings to be washed is 10.
- The maximum permissible inlet water pressure is 1MPa.
- The minimum permissible inlet water pressure is 0.04MPa.

## Disposal

---

- For disposing of package and the appliance please go to a recycling center. Therefore cut off the power supply cable and make the door closing device unusable.
- Cardboard packaging is manufactured from recycled paper and should be disposed in the waste paper collection for recycling.
- By ensuring this product is disposed of correctly, you will help prevent potential negative consequences for the environment and human health, which could otherwise be caused by inappropriate waste handling of this product.
- For more detailed information about recycling of this product, please contact your local city office and your household waste disposal service.
- **DISPOSAL: Do not dispose this product as unsorted municipal waste. Collection of such waste separately for special treatment is necessary.**

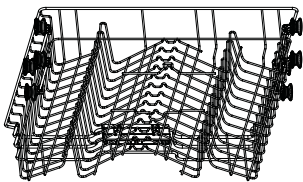
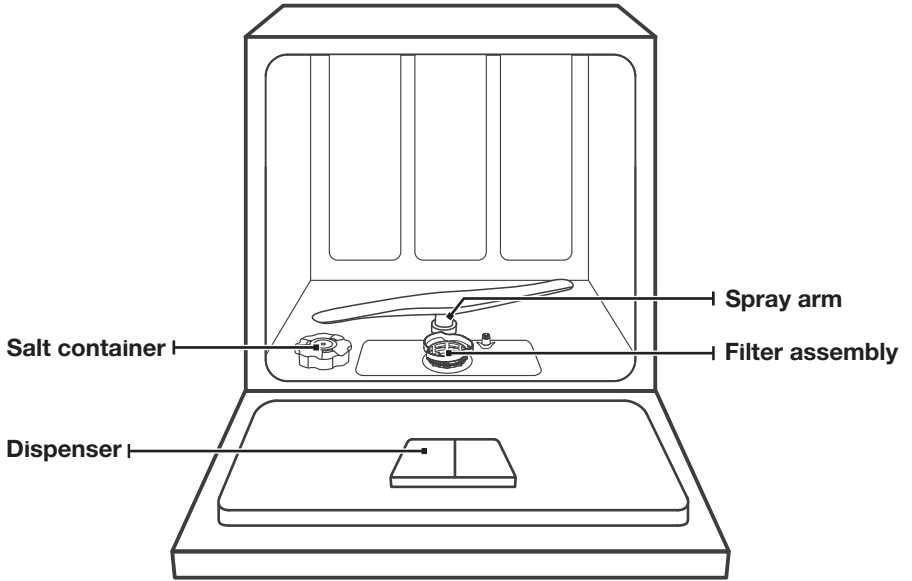




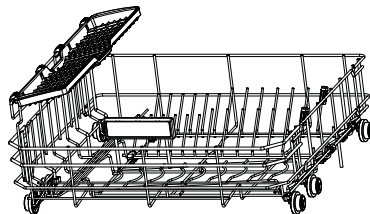
# PRODUCT OVERVIEW

**❗ IMPORTANT:**

To get the best performance from your dishwasher, read all operating instructions before using it for the first time.



**Upper basket**



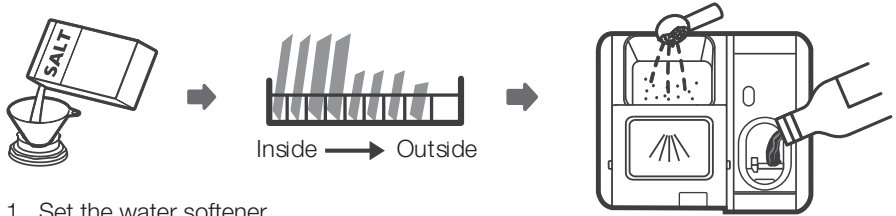
**Lower basket**

**💡 NOTE:**

Pictures are only for reference, different models may be different.

# USING YOUR DISHWASHER

Before using your dishwasher :



1. Set the water softener
2. Loading the salt Into the softener
3. Loading the basket
4. Fill the **detergent** dispenser



Please check the section 1 “Water Softener” of PART II : Special Version, If you need to set the water softener

## Loading The Salt Into The Softener

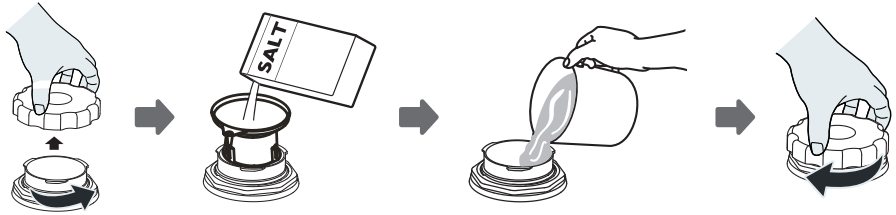
### NOTE:

If your model does not have any water softener, you may skip this section. Always use salt intended for dishwasher use. The salt container is located beneath the lower basket and should be filled as explained in the following:

### WARNING


- **Only use salt specifically designed for dishwashers use!**  
Every other type of salt not specifically designed for dishwasher use, especially table salt, will damage the water softener. In case of damages caused by the use of unsuitable salt the manufacturer does not give any warranty nor is liable for any damages caused.
- **Only fill with salt before running a cycle.**  
This will prevent any grains of salt or salty water, which may have been spilled, remaining on the bottom of the machine for any period of time, which may cause corrosion.

Please follow the steps below for adding dishwasher salt:



1. Remove the lower basket and unscrew the reservoir cap.
2. Place the end of the funnel (if supplied) into the hole and pour in about 1 kg of dishwasher salt.
3. Fill the salt container to its maximum limit with water, It is normal for a small amount of water to come out of the salt container.
4. After filling the container, screw back the cap tightly.
5. The salt warning light will **turn off** after the salt container has been filled with salt.
6. Immediately after filling the salt into the salt container, a washing program should be started (We suggest to use a short program). Otherwise the filter system, pump or other important parts of the machine may be damaged by salty water. This is out of warranty.

## **NOTE:**

- The salt container must only be refilled when the salt warning light (  ) in the control panel comes on. Depending on how well the salt dissolves, the salt warning light may still be on even though the salt container is filled.  
If there is no salt warning light in the control panel (for some **models**), you can estimate when to fill the salt into the softener by the cycles that the dishwasher has run.
- If salt has spilled, run a soak or quick program to remove it.

# MAINTENANCE AND CLEANING

## External Care

### The door and the door seal

Clean the door seals regularly with a soft damp cloth to remove food deposits. When the dishwasher is being loaded, food and drink residues may drip onto the sides of the dishwasher door. These surfaces are outside the wash cabinet and are not accessed by water from the spray arms. Any deposits should be wiped off before the door is closed.

### The control panel

If cleaning is required, the control panel should be wiped with a soft damp cloth only.

#### **WARNING**

- To avoid penetration of water into the door lock and electrical components, do not use a spray cleaner of any kind.
- Never use abrasive cleaners or scouring pads on the outer surfaces because they may scratch the finish. Some paper towels may also scratch or leave marks on the surface.

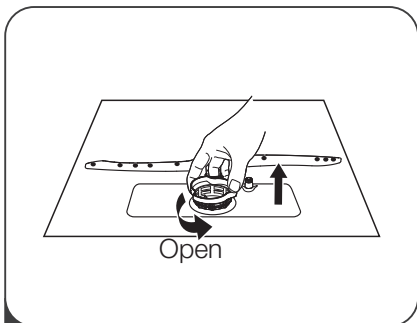
## Internal Care

### Filtering system

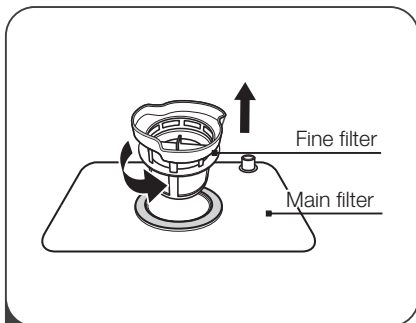
The filtering system in the base of the wash cabinet retains coarse debris from the washing cycle, including foreign objects such as tooth picks or shards. The collected coarse debris may cause the filters to clog. Check the condition of the filters regularly, carefully remove foreign objects and clean the parts of the filtering system if necessary with water. Follow the steps below to clean the filter.

#### **NOTE:**

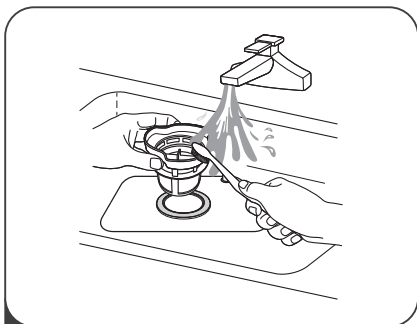
Pictures are only for reference, different models of the filtering system and spray arms may be different.



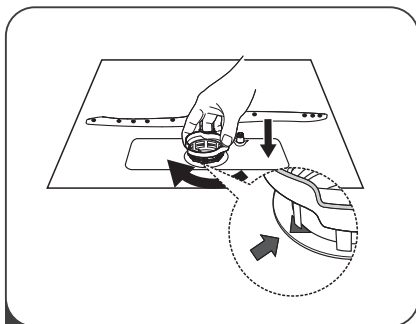
- 1 Hold the coarse filter and rotate it anticlockwise to unlock the filter. Lift the filter upwards and out of the dishwasher.



- 2 Lift fine filter up from main filter.



- 3 Larger food remnants can be cleaned by rinsing the filter under running water. For a more thorough clean, use a soft cleaning brush.



- 4 Reassemble the filters in the reverse order of the disassembly, replace the filter insert, and rotate clockwise to the close arrow.

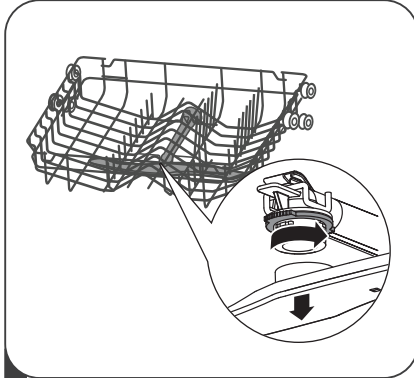
### **⚠ WARNING**

- Do not over tighten the filters. Put the filters back in sequence securely, otherwise coarse debris could get into the system and cause a blockage.
- NEVER use the dishwasher without filters in place. Improper replacement of the filter may reduce the performance level of the appliance and damage dishes and utensils.

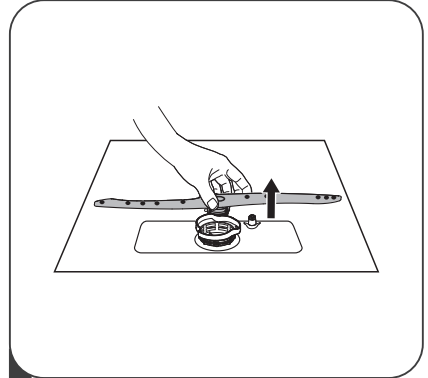
## Spray arms

It is necessary to clean the spray arms regularly for hard water chemicals will clog the spray arm jets and bearings.

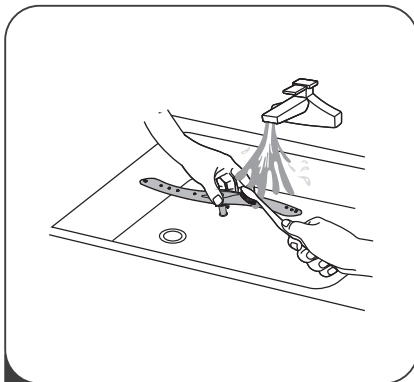
To clean the spray arms, follow the instructions below:



- 1 To remove the upper spray arm, hold the nut in the center still and rotate the spray arm counterclockwise to remove it.



- 2 To remove the lower spray arm, pull out the spray arm upward.



- 3 Wash the arms in soapy and warm water and use a soft brush to clean the jets. Replace them after rinsing them thoroughly.

# Caring For The Dishwasher

---

## Frost precaution

Please take frost protection measures on the dishwasher in winter. Every time after washing cycles, please operate as follows:

1. Cut off the electrical power to the dishwasher at the supply source.
2. Turn off the water supply and disconnect the water inlet pipe from the water valve.
3. Drain the water from the inlet pipe and water valve. (Use a pan to gather the water)
4. Reconnect the water inlet pipe to the water valve.
5. Remove the filter at the bottom of the tub and use a sponge to soak up water in the sump.

## After every wash

After every wash, turn off the water supply to the appliance and leave the door slightly open **for a while** so that moisture and odors are not trapped inside.

## Remove the plug

Before cleaning or performing maintenance, always remove the plug from the socket.

## No solvents or abrasive cleaning

To clean the exterior and rubber parts of the dishwasher, do not use solvents or abrasive cleaning products. Only use a cloth with warm soapy water.

To remove spots or stains from the surface of the interior, use a cloth dampened with water and a little vinegar, or a cleaning product made specifically for dishwashers.

## When not in use for a long time

It is recommended that you run a wash cycle with the dishwasher empty and then remove the plug from the socket, turn off the water supply and leave the door of the appliance slightly open. This will help the door seals to last longer and prevent odors from forming within the appliance.

## Moving the appliance

If the appliance must be moved, try to keep it in the vertical position. If absolutely necessary, it can be positioned on its back.

## Seals

One of the factors that cause odours to form in the dishwasher is food that remains trapped in the seals. Periodic cleaning with a damp sponge will prevent this from occurring.

# INSTALLATION INSTRUCTION

## ⚠ WARNING



### Electrical Shock Hazard

Disconnect electrical power before installing dishwasher. Failure to do so could result in death or electrical shock.

## ⚠ Attention

The installation of the pipes and electrical equipments should be done by professionals.

## About Power Connection

## ⚠ WARNING

For personal safety:

- Do not use an extension cord or an adapter plug with this appliance.
- Do not, under any circumstances, cut or remove the earthing connection from the power cord.

### Electrical requirements

Please look at the rating label to know the rating voltage and connect the dishwasher to the appropriate power supply. Use the required fuse 10A/13A/16A, time delay fuse or circuit breaker recommended and provide separate circuit serving only this appliance.

### Electrical connection

Ensure the voltage and frequency of the power being correspond to those on the rating plate. Only insert the plug into an electrical socket which is earthed properly. If the electrical socket to which the appliance must be connected is not appropriate for the plug, replace the socket, rather than using a adapters or the like as they could cause overheating and burns.

**⚠ Ensure that proper earthing exists before use**

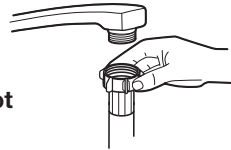


# Water Supply And Drain

## Cold water connection

Connect the cold water supply hose to a threaded 3/4 (inch) connector and make sure that it is fastened tightly in place.

**If the water pipes are new or have not** been used for an extended period of time, let the water run to make sure that the water is clear. This precaution is needed to avoid the risk of the water inlet to be blocked and damage the appliance.



ordinary supply hose



safety supply hose

## About the safety supply hose

The safety supply hose consists of the double walls. The system guarantees its intervention by blocking the flow of water in case of the supply hose breaking and when the air space between the supply hose itself and the outer corrugated hose is full of water.

### **⚠ WARNING**

A hose that attaches to **tap** can burst if it is installed on the same water line as the dishwasher. If your sink has one, it is recommended that the hose be disconnected and the hole plugged.

## How to connect the safety supply hose

1. Pull **the** safety supply hoses out from storage compartment located at rear of dishwasher.
2. **Tighten** the screws of the safety supply hose to the faucet with thread 3/4inch.
3. Turn **the** water fully on before starting the dishwasher.

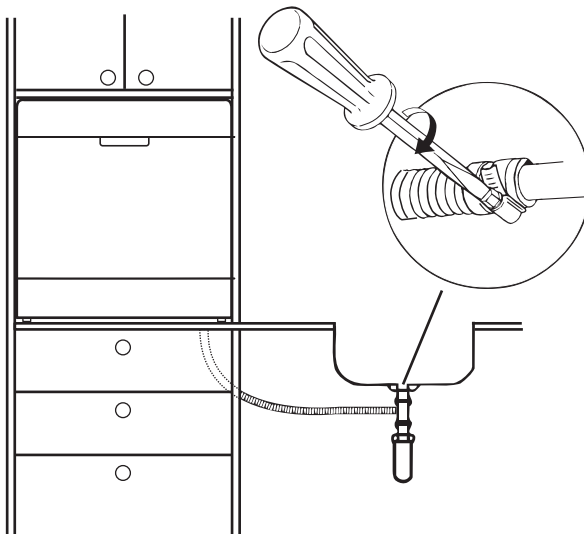
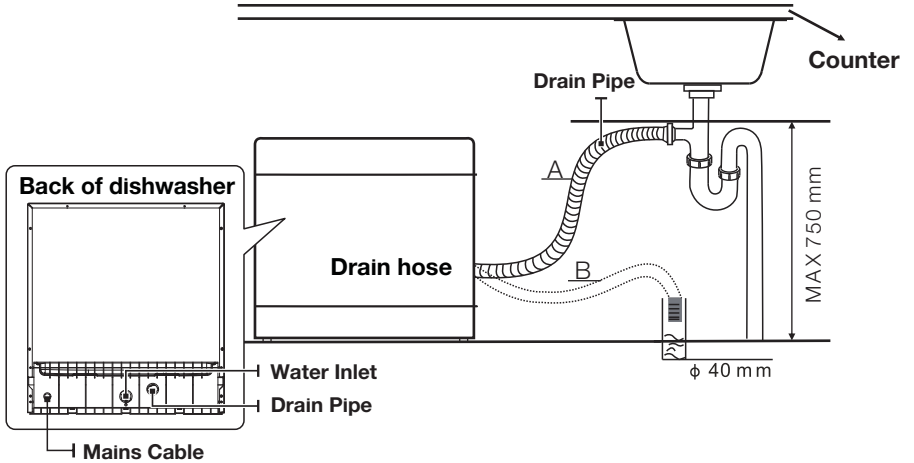
## How to disconnect the safety supply hose

1. Turn off the water.
2. Unscrew the safety supply hose from the faucet.

# Connection Of Drain Hoses

Insert the drain hose into a drain pipe with a minimum diameter of 4 cm, or let it run into the sink, making sure to avoid bending or crimping it. The height of drain pipe must be less than 750mm. The free end of the hose must not be immersed in water to avoid the back flow of it.

**⚠** Please securely fix the drain hose in either position A or position B



## **How to drain excess water from hoses**

If the connection to the drain pipe is positioned higher than 1000 mm, excess water may remain in the drain hose. It will be necessary to drain excess water from the hose into a bowl or suitable container that is held outside and lower than the sink.

## **Water outlet**

Connect the water drain hose. The drain hose must be correctly fitted to avoid water leaks. Ensure that the water drain hose is not kinked or squashed.

## **Extension hose**

If you need a drain hose extension, make sure to use a similar drain hose. It must be no longer than 4 meters; otherwise the cleaning effect of the dishwasher could be reduced.

## **Syphon connection**

The waste connection must be at a height less than 1000 mm (maximum) from the bottom of the dishwasher.

# **Positioning The Appliance**

---

Position the appliance in the desired location. The back should rest against the wall behind it, and the sides, along the adjacent cabinets or walls. The dishwasher is equipped with water supply and drain hoses that can be positioned either to the right or the left sides to facilitate proper installation.

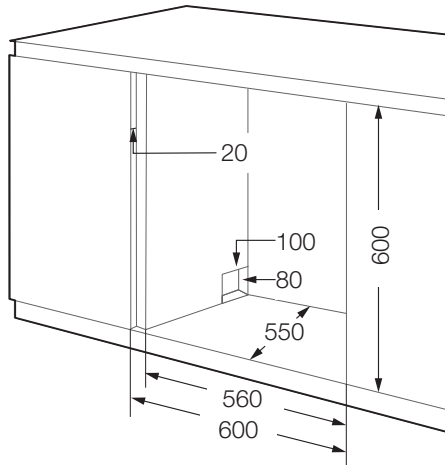
# Built-In Installation (for the integrated model)

## Step 1. Selecting the best location for the dishwasher

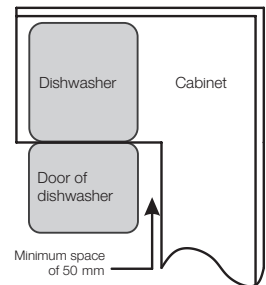
The installation position of the dishwasher should be near the existing inlet and drain hose and power socket.

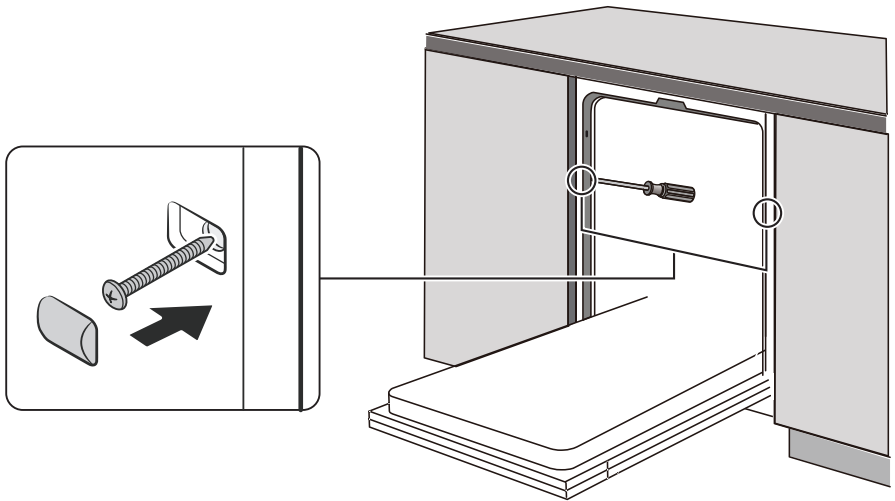
Illustrations of cabinet dimensions and installation position of the dishwasher.

1. Less than 5 mm between the top of dishwasher and cabinet and the outer door aligned to cabinet.



2. If dishwasher is installed at the corner of the cabinet, there should be some space when the door is opened.



**Step 2. Install the dishwasher in cabinet**

# TROUBLESHOOTING TIPS

## Before Calling For Service

Reviewing the charts on the following pages may save you from calling for service.

Problem	Possible causes	Solution
Dishwasher doesn't start	Fuseblown, or the circuit breaker tripped.	Replace fuse or reset circuit breaker. Remove any other appliances sharing the same circuit with the dishwasher.
	Power supply is not turned on.	Make sure the dishwasher is turned on and the door is closed securely. Make sure the power cord is properly plugged into the wall socket.
	Door of dishwasher not properly closed.	Make sure to close the door properly and latch it.
Water not pumped from dishwasher	Kink in drain hose	Check drain hose.
	Filter clogged.	Check the coarse filter. (see section titled " Internal Care ")
	Kitchen sink clogged.	Check the kitchen sink to make sure it is draining well. If the problem is the kitchen sink that is not draining , you may need a plumber rather than a serviceman for dishwashers.
Foam in the tub	Improper detergent	Use only the special dishwasher detergent to avoid suds. If this occurred, open the dishwasher and let sudsevaporate. Add 1 gallon of cold water to the tub. Close and latch the dishwasher, then Start any wash cycle to drain out the water. Repeat if necessary.
	Spilled <b>rinse aid</b> .	Always wipe up <b>rinse aid</b> spills immediately.
Stained tub interior	Detergent with colourant may have been used.	Make sure that the detergent has no colourant.
White film on inside surface	Hard water minerals.	To clean the interior, use <b>the damp soft cloth</b> with dishwasher detergent and wear rubber gloves. Never use any other cleaner than dishwasher detergent for the risk of foaming or suds.

<b>Problem</b>	<b>Possible Causes</b>	<b>What To Do</b>
There are rust stains on cutlery	The affected items are not corrosion resistant.	Avoid washing items that are not corrosion resistant in the dishwasher.
	A program was not run after dishwasher salt was added. Traces of salt have gotten into the wash cycle.	Always run the quick wash program. without any crockery in the dishwasher and without selecting the Turbo function (if present), after adding dishwasher salt.
	The lid of the softer is loose.	Check the lip. Ensure the fix is fine.
Knocking noise in the wash cabinet	The spray arm is knocking against an item in a basket.	Interrupt the program, and rearrange the items which are obstructing the spray arm.
Rattling noise in the wash cabinet	Item of crockery are loose in the wash cabinet.	Interrupt the program, and rearrange the items of crockery.
Knocking noise in the water pipes	This may be caused by on-site installation or the cross-section of the piping.	This has no influence on the dishwasher function. If in doubt, contact a qualified plumber.
The dishes are not clean	The dishes were not loaded correctly.	See PART II: "Preparing And Loading Dishes".
	The program was not powerful enough.	Select a more intensive program.
	Not enough detergent was dispensed.	Use more detergent, or change your detergent.
	Item are blocking the path of spray arms.	Rearrange the items so that the spray can rotate freely.
	The filter combination in the base of wash cabinet is not clean or is not correctly fitted. This may cause the spray arm jets to get blocked.	Clean and/or fit the filter correctly. Clean the spray arm jets.

Problem	Possible Causes	What To Do
Cloudiness on glassware.	Combination of soft water and too much detergent.	Use less detergent if you have soft water and select a shorter cycle to wash the glassware and to get them clean.
Black or grey marks on dishes	Aluminium utensils have rubbed against dishes	Use a mild abrasive cleaner to eliminate those marks.
Detergent left in dispenser cups	Dishes block detergent dispenser cups	Re-loading the dishes properly.
The dishes are not drying	Improper loading	<b>Use gloves if detergent residue can be found on dishes to avoid skin irritations.</b>
	Dishes are removed too soon	Do not empty your dishwasher immediately after washing. Open the door slightly so that the steam can escape. Begin unloading the dishwasher only once the dishes are barely warm to the touch. Empty the low basket first. This prevents water from dropping off dishes in the upper basket.
	Wrong program has been selected.	In short programs the washing temperature is lower. This also lowers cleaning performance. Choose a program with a long washing time.
	Use of cutlery with a low-quality coating.	Water drainage is more difficult with these items. Cutlery or dishes of this type are not suitable for washing in the dishwasher.

## **⚠ WARNING**

Self-repair or non-professional repair may cause serious risks to the safety of the user of the appliance and impact warranty.



# LOADING THE BASKETS

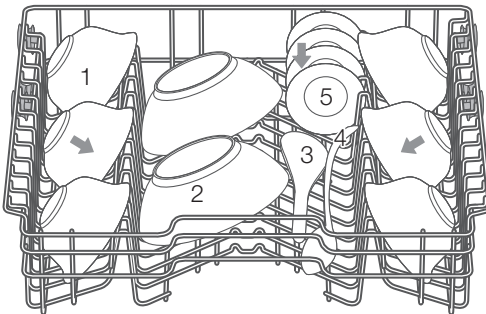
## Basket Loading Diagram

Place the stained side in the → orientation

### ⚠ ATTENTION

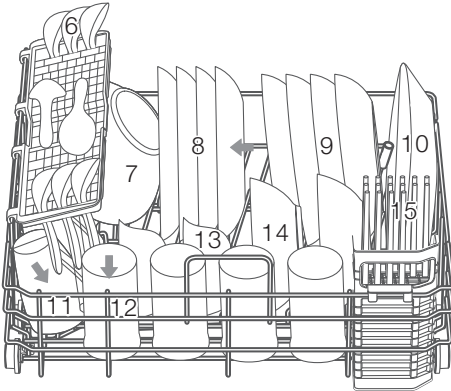
- All utensils are recommended to be tilted, which can improve the washing area and washing quality. If it is placed in the wrong direction, the cleaning effect may not be ideal.
- In order to make the water jets can fully clear the stained surface, it is necessary to place the stained surface diagonally inward.
- Knives and other sharp tools must be placed in the basket with the tip down or level.
- The tableware should not exceed the bottom of the basket, and the height of the lower tableware should be limited to 24.5cm to avoid hindering the rotation of the spray arm.

### 1.Upper bowl placement



Number	Item
1	Rice bowl
2	Noodles bowl
3	Soup spoon rice spoon
4	Chopsticks spoon basket
5	Condiment dish

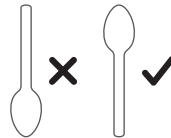
## 2. Lower basket placement



Number	Item
6	Small soup bowl
7	Soup bowl
8	High dishes
9	high and low plate
10	Fish plate
11	Mug
12	Glass
13	Rice bowl
14	Noodle bow
15	Chopsticks

## Chopsticks Spoon Basket

The handle of the cutlery should be facing down. When placing sharp cutlery, please be careful to scratch it.



# **Dishwasher**

## Instruction Manual

### **PART II: Special Version**

**Please read this manual carefully before using the dishwasher and Keep this manual for future reference**

# CONTENTS

01	<b>USING YOUR DISHWASHER</b>
	Control Panel
	Water Softener
	Preparing And Loading Dishes
	Function Of The Rinse Aid And Detergent
	Filling The Rinse Aid Reservoir
	Filling The Detergent Dispenser

02	<b>PROGRAM SELECTION</b>
	Wash Cycle Table
	Saving Energy
	Starting A Program
	Changing The Program Mid-cycle
	Forget To Add A Dish?

03	<b>ERROR CODES</b>
----	--------------------

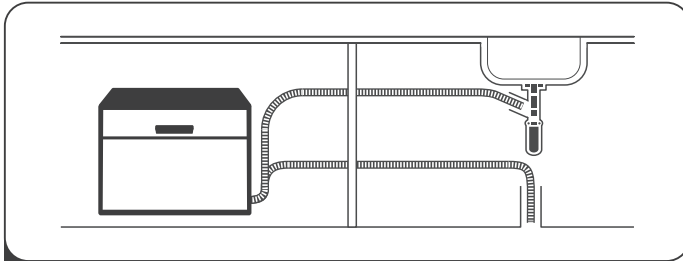
04	<b>TECHNICAL INFORMATION</b>
----	------------------------------

## **NOTE:**

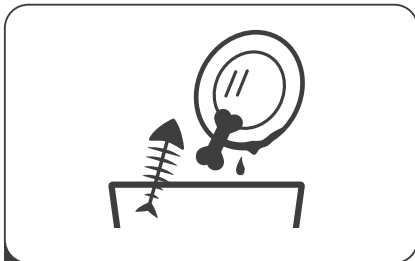
- If you cannot solve the problems by yourself, please ask for help from a professional technician.
- The manufacturer, following a policy of constant development and updating of the product, may make modifications without giving prior notice.
- If lost or out-of-date, you can receive a new user manual from the manufacturer or responsible vendor.

# QUICK USER GUIDE

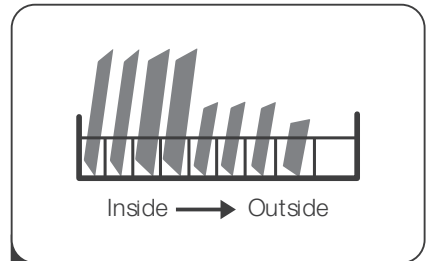
Please read the corresponding content on the instruction manual for detailed operating method.



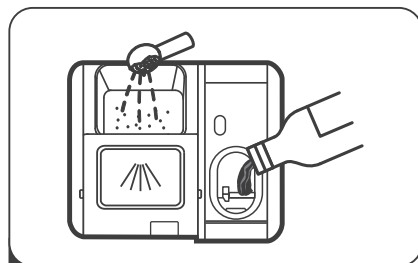
- 1 Install the dishwasher  
**(Please check the section 5 “INSTALLATION INSTRUCTION” of PART I: Generic Version.)**



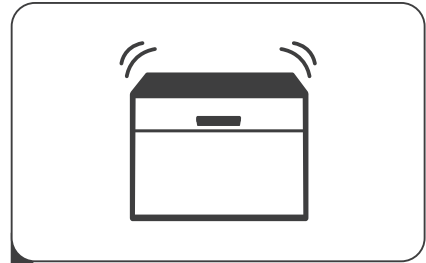
- 2 Remove larger residue from dishes.  
 Avoid pre-rinsing.



- 3 Load the baskets.



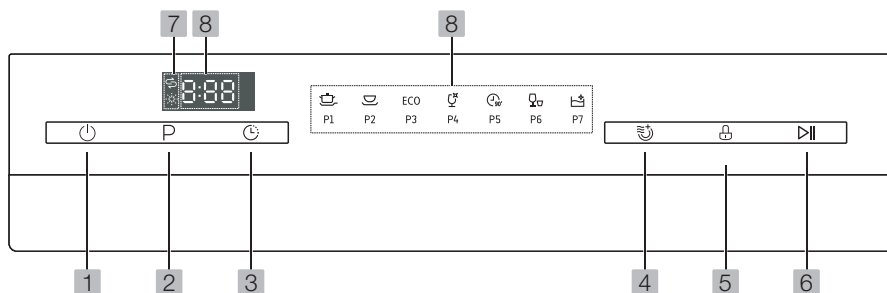
- 4 Fill the dispenser with detergent and rinse aid.



- 5 Select a suitable program and start the dishwasher.

# USING YOUR DISHWASHER












## Control Panel



## Operation (Button)

<p><b>1 Power</b></p>	<p>Press this button to turn on your dishwasher.</p>
<p><b>2 Program</b></p>	<p>Press this button to select the appropriate washing programme, the programme indicator will be lit.</p>
<p><b>3 Delay</b></p>	<p>Press this button to set the delayed hours for washing. You can delay the start of washing up to 24 hours. One press on this button delays the start of washing by one hour.</p>
<p><b>4 Extra Drying</b></p>	<p>To dry dishes more completely. <b>( It can only be used with Intensive, Universal, ECO, Glass, 90 min )</b> Press this button,the indicator will be lit.</p>
<p><b>5 Child lock</b></p>	<p>This option allows you to lock the buttons on the control panel, so children cannot accidentally start the dishwasher by pressing the buttons on the panel. Only the Power button remains active. To lock or unlock the buttons on the control panel. Press this button for 3s,the indicator will be lit.</p>
<p><b>6 Start/Pause</b></p>	<p>To start the selected washing program or pause it when the dishwasher is working.</p>

# Display

<p><b>7</b> <b>Warning indicator</b></p>	<p> <b>Rinse Aid</b> If the “” indicator is lit, it means the dishwasher is low on dishwasher rinse aid and requires a refill.</p> <p> <b>Salt</b> If the “” indicator is lit, it means the dishwasher is low on dishwasher salt and needs to be refilled.</p>
<p><b>8</b> <b>Information display</b></p>	<p> To show the reminding time and the state(running state, delay time, error codes etc. )</p> <p><b>Program icons</b></p> <p> <b>Intensive</b> For heaviest soiled crockery, and normally soiled pots, pans, dishes etc. With dried-on food.</p> <p> <b>Universal</b> For normally soiled loads, such as pots, plates, glasses and lightly soiled pans.</p> <p><b>ECO ECO</b> This is standard program, it is suitable to clean normally soiled tableware and it is the most efficient program in terms of its combined energy and water consumption for that type of tableware.</p> <p> <b>Glass</b> For lightly soiled crockery and glass.</p> <p> <b>90 Min</b> For normally soiled loads that need quick wash.</p> <p> <b>Rapid</b> A shorter wash for lightly soiled loads that do not need drying.</p> <p> <b>Self-cleaning</b> This program provides an effective cleaning of the dishwasher itself. The machine will automatically run 72 hours fresh air keeping after washing the dishes,except the Rapid.</p>

# Water Softener

The water softener must be set manually, using the water hardness dial.

The water softener is designed to remove minerals and salts from the water, which would have a detrimental or adverse effect on the operation of the appliance.

The more minerals there are, the harder your water is.

The softener should be adjusted according to the hardness of the water in your area. Your local Water Authority can advise you on the hardness of the water in your area.

## Adjusting salt consumption

The dishwasher is designed to allow for adjustment in the amount of salt consumed based on the hardness of the water used. This is intended to optimise and customise the level of salt consumption.

Please follow the steps below for adjustment in salt consumption.

1. **Close the door**, switch on the appliance;
2. **Within 60 seconds after the appliance was switched on**, press the **Programme** button for more than 5 seconds to start the water softener **setting mode** ;
3. Press the **Program** button again to select the proper **setting** according to your local environment, the **setting** will change in the following sequence:  
H4->H5->H6->H1->H2->H3->H4;
4. Without any operation in five seconds or press the **Power** button to end the **setting mode**, the setting is memorized by the **programme**.

WATER HARDNESS		Setting on the water softener	Digital display stalls	Regeneration occurs every X program sequence <sup>3)</sup>
°dH <sup>1)</sup>	Mmol/l <sup>2)</sup>			
0 - 5	0 - 0.9	1	H1	No regeneration
6 - 11	1.0 - 2.0	2	H2	10
12 - 17	2.1 - 3.0	3	H3	5
18 - 22	3.1 - 4.0	4 <sup>*</sup>	H4	3
23 - 34	4.1 - 6.1	5	H5	2
35 - 45	6.2 - 8.0	6	H6	1

1) German degree of measurement for the water hardness

2) millimol, international unit for water hardness

3) Every cycle with a regeneration operation consumes additional 3.0 litres of water, the energy consumption increases by 0.02 kWh and the program extends by 4 minutes.

\* **factory setting**





**Please check the section 3 “Loading The Salt Into The Softener” of PART I: Generic Version, if your dishwasher lacks salt.**

## **NOTE:**

**If your model does not have any water softener, you may skip this section.**

### **Water Softener**

The hardness of the water varies from place to place. If hard water is used in the dishwasher, deposits will form on the dishes and utensils.

The appliance is equipped with a special softener that uses a salt container specifically designed to eliminate lime and minerals from the water.

## **Preparing And Loading Dishes**

- Consider buying utensils which are identified as dishwasher-proof.
- For particular items, select a program with the lowest possible temperature.
- To prevent damage, do not take glass and cutlery out of the dishwasher immediately after the program has ended.

### **For washing the following cutlery/dishes**

#### **Are not suitable**

- Cutlery with wooden, horn china or mother-of-pearl handles
- Plastic items that are not heat resistant
- Older cutlery with glued parts that are not temperature resistant
- Bonded cutlery items or dishes
- Pewter or cooper items
- Crystal glass
- Steel items subject to rusting
- Wooden platters
- Items made from synthetic fibres

#### **Are of limited suitability**

- Some types of glasses can become dull after a large number of washes
- Silver and aluminum parts have a tendency to discolour during washing
- Glazed patterns may fade if machine washed frequently

## Recommendations for loading the dishwasher

Scrape off any large amounts of leftover food. Soften remnants of burnt food in pans. It is not necessary to rinse the dishes under running water.

For best performance of the dishwasher, follow these loading guidelines.

**(Features and appearance of baskets and cutlery baskets may vary from your model.)**

Place objects in the dishwasher in **the** following way:

- Items such as cups, glasses, pots, pans, etc. **must** face downwards.
- Curved items, or ones with recesses, should be loaded aslant so that water can run off.
- All utensils are stacked securely and can not tip over.
- All utensils are placed in the way that the spray arms can rotate freely during washing.
- Load hollow items such as cups, glasses, pans etc. With the opening facing downwards so that water cannot collect in the container or a deep base.
- Dishes and items of cutlery must not lie inside one another, or cover each other.
- To avoid damage, glasses should not touch one another.
- The upper basket is designed to hold more delicate and lighter dishware such as glasses, coffee and tea cups.
- Long bladed knives stored in an upright position are a potential hazard!
- Long and sharp items of cutlery such as carving knives must be positioned horizontally in the upper basket.
- Please do not overload your dishwasher. This is important for good results and for reasonable consumption of energy.

### **NOTE:**

Very small items should not be washed in the dishwasher as they could easily fall out of the basket.

## Removing the dishes

To prevent water dripping from the upper basket into the lower basket, we recommend that you empty the lower basket first, followed by the upper basket.

### **WARNING**



**Items will be hot!** To prevent damage, do not take glass and cutlery out of the dishwasher for around 15 minutes after the program has ended.

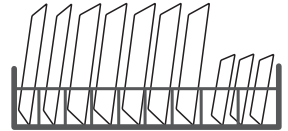
## Loading the upper basket

The upper basket is designed to hold more delicate and lighter dishware such as glasses, coffee and tea cups and saucers, as well as plates, small bowls and shallow pans (as long as they are not too dirty). Position the dishes and cookware so that they will not get moved by the spray of water.



## Loading the lower basket

We suggest that you place large and difficult to clean items into the lower basket: such as pots, pans, lids, serving dishes and bowls, as shown in the figure below. It is preferable to place serving dishes and lids on the side of the racks in order to avoid blocking the rotation of the top spray arm.



The maximum diameter advised for plates in front of the detergent dispenser is of 19 cm, this not to hamper the opening of it.

## Loading the cutlery rack

Cutlery should be placed in the cutlery basket separate from each other in the appropriate positions. Avoid nesting of the cutlery to prevent insufficient cleaning performance.

### ⚠ WARNING



**Do not let any item extend through the bottom.**  
**Always load sharp utensils with the sharp point down!**



**For optimal cleaning performance please load the baskets as described in the last section of PART I: Generic Version**

## Function Of The Rinse Aid And Detergent


The rinse aid is released during the final rinse to prevent water from forming droplets on your dishes, which can leave spots and streaks. It also improves drying by allowing water to **run** off the dishes. Your dishwasher is designed to use liquid rinse aids.

### **⚠ WARNING**

Only use branded rinse aid for dishwasher. Never fill the rinse aid dispenser with any other substances (e.g. Dishwasher cleaning agent, liquid detergent). This would damage the appliance.

### When to refill the rinse aid

The regularity of the dispenser needing to be refilled depends on how often dishes are washed and the rinse aid setting used.

- The Low Rinse Aid indicator (  ) will be lit when more rinse aid is needed.
- Do not overfill the rinse aid dispenser.

### Function of detergent

The chemical ingredients that compose the detergent are necessary to remove, crush and dispense all dirt out of the dishwasher. Most of the commercial quality detergents are suitable for this purpose.

### **⚠ WARNING**

- Proper Use of Detergent

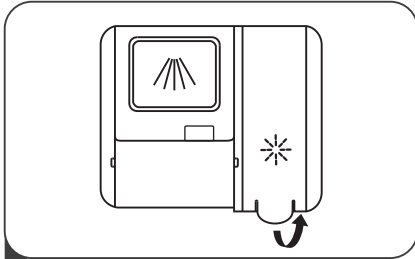
Use only detergent specifically made for dishwashers use. Keep your detergent fresh and dry.

**Do not fill detergent into the dispenser until you are ready to start the dishwasher.**

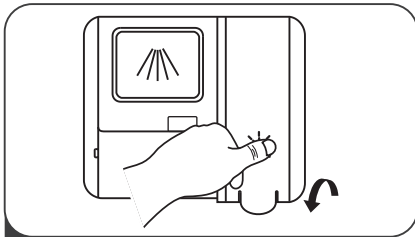


**Dishwasher detergent is corrosive! Keep dishwasher detergent out of the reach of children.**

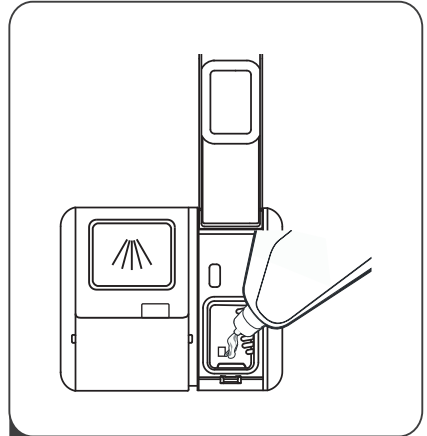
## • Filling The Rinse Aid Reservoir



- 1 Remove the rinse reservoir cap by lifting up the handle .



- 3 Close the cap after all.



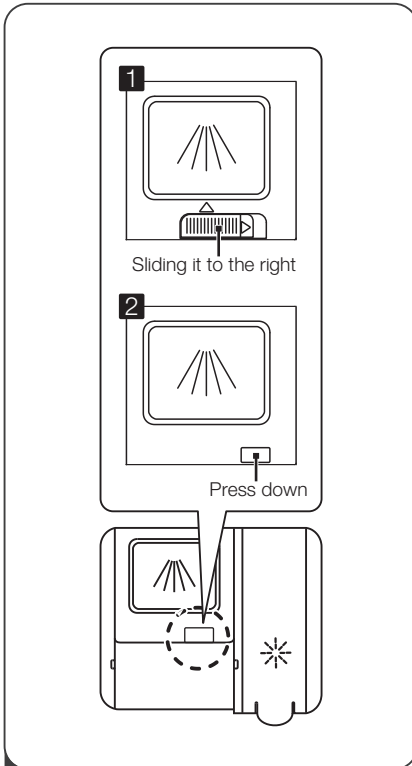
- 2 Pour the rinse aid into the dispenser, being careful not to overfill.

### Adjusting the rinse aid reservoir

To achieve a better drying performance with limited rinse aid, the dishwasher is designed to adjust the consumption by user. Follow the below steps.

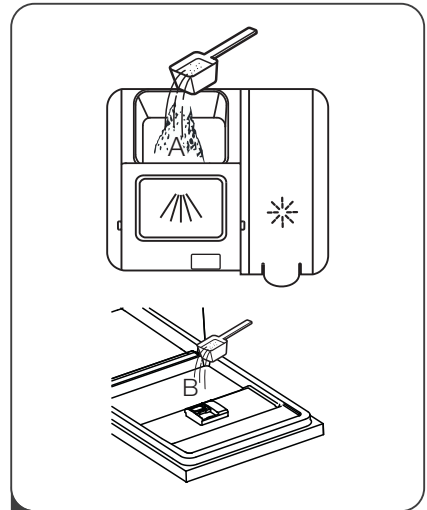
1. Switch on the appliance.
2. Within 60 seconds after step 1, press the Program button more than 5 seconds, and then press the Delay button to enter the set model, the rinse aid indication blinks as 1Hz frequency.
3. Press the Program button to select the proper set according to your using habits , the sets will change in the following sequence: d2->d3->d4->d5->d1->d2. The higher the number, the more rinse aid the dishwasher uses.
4. Without operation in 5 seconds or press the Power button to exit the set model, the set success.

## Filling The Detergent Dispenser

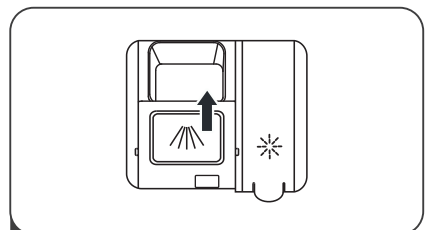


1 Please choose an open way according to the actual situation.

1. Open the cap by sliding the release catch.
2. Open the cap by pressing down the release catch.



- 2 Add detergent into the larger cavity (A) for the main wash cycle . For better cleaning result, especially if you have very dirt items, pour a small amount of detergent onto the door. The additional detergent will activate during the pre-wash phase.



- 3 Close the flap by sliding it to the front and then pressing it down.

### NOTE:







- Be aware that depending on the soiling of water, setting may be different.
- Please observe the manufacturer's recommendations on the detergent packaging.

# PROGRAM SELECTION

## Wash Cycle Table

The table below shows which programs are best for the levels of food residue on them and how much detergent is needed. It also show various information about the programs. Consumption values and program duration are only indicative except for ECO program.

(●) indicates that the program uses rinse aid in the last rinse.

Program	Description Of Cycle	Detergent Pre/Main Wash	Running Time(min)	Energy (kWh)	Water (L)	Rinse Aid
 <b>Intensive</b>	Pre-wash(50°C) Wash(50°C) Rinse Rinse Rinse Rinse(72°C) Drying	4/23.5g	165	1.255	15.0	●
 <b>Universal</b>	Pre-wash(35°C) Wash(60°C) Rinse(45°C) Rinse(60°C) Drying	20g	60	0.700	9.9	●
<b>ECO</b> (*EN50242)	Pre-wash Wash(45°C) Rinse Rinse(70°C) Drying	4/23.5g	190	0.815	9.5	●
 <b>Glass</b>	Wash(55°C) Rinse Rinse(60°C) Drying	20g	100	0.675	7.4	●
 <b>90 Min</b>	Wash(65°C) Rinse Rinse Rinse(70°C) Drying	27.5g	90	1.150	10.0	●
 <b>Rapid</b>	Wash(55°C) Rinse Rinse(51°C)	20g	29	0.585	7.4	○
 <b>Self-cleaning</b>	Wash(70°C) Rinse Rinse(65°C) Drying	20g	110	0.830	9.8	●

### NOTE:

ECO : This program is the test cycle. The information for comparability test in (\*EN50242) accordance with EN50242.

## Saving Energy

1. Pre-rinsing of tableware items leads to increased water and energy consumption and is not recommended.
2. Washing tableware in a household dishwasher usually consumes less energy and water in the use phase than hand dishwashing when the household dishwasher is used according to the instructions.

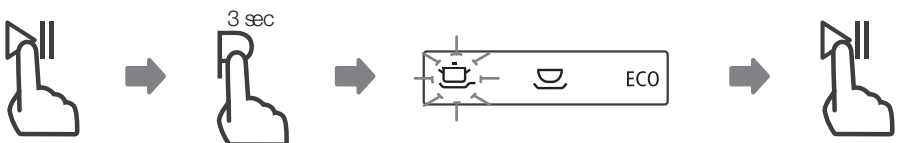
## Starting A program

1. Draw out the lower and upper basket, load the dishes and push them back. It is commended to load the lower basket first, then the upper one.
2. Pour in the detergent.
3. Insert the plug into the socket. The power supply refer to last page"Product fiche". Make sure that the water supply is turned on to full pressure.
4. Close the door, press the Power button.
5. Choose a program, the response light will turn on. Then press the Start/Pause button, the dishwasher will start its cycle.

## Changing The Program Mid-cycle

A program can only be changed if it has been running only for a short period of time, otherwise the detergent may have already been released or the wash water with detergent has already been drained. If this is the case, the dishwasher needs to be reset and the detergent dispenser must be refilled. To reset the dishwasher, follow the instructions below:

1. Press the Start/Pause button to pause the washing.
2. Press Program button more than three seconds the machine will be in program selection mode.
3. You can change the program to the desired cycle setting.
4. Press the Start/Pause button , the dishwasher will start.

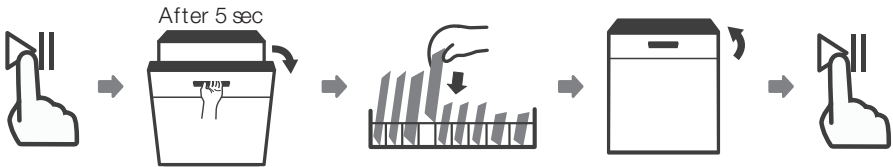




## Forget To Add A Dish?

A forgotten dish can be added any time before the detergent dispenser opens. If this is the case, follow the instructions below:

1. Press the Start/Pause button to pause the washing.
2. After **the spray arms stopped working**, you can open the door completely.
3. Add the forgotten dishes.
4. Close the door.
5. Press the Start/Pause button, the dishwasher will continued to run after 10 seconds.



### ⚠ WARNING



**It is dangerous to open the door mid-cycle, as hot steam may scald you.**

# ERROR CODES

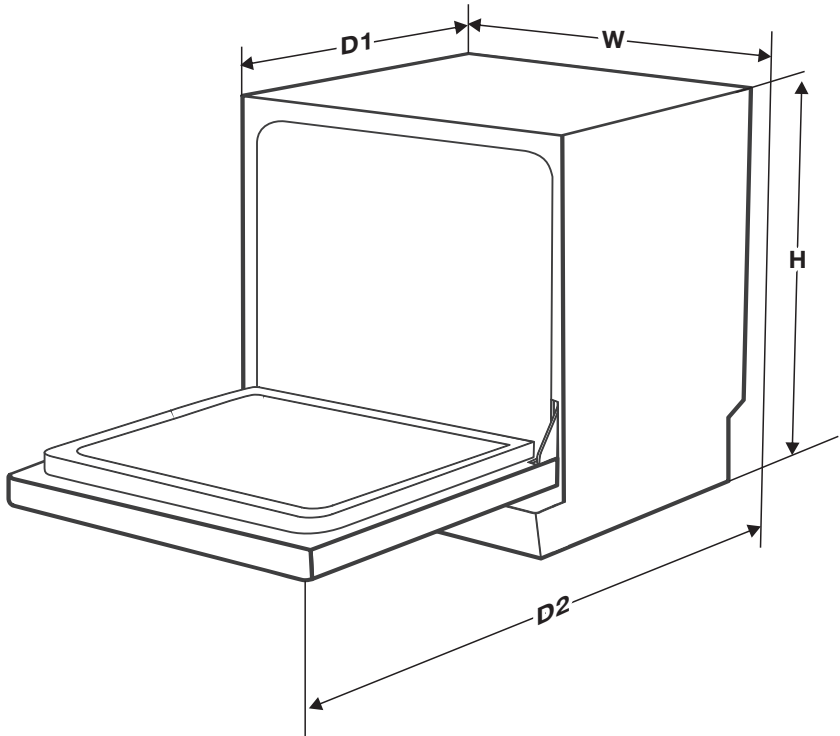
If there is a malfunction the dishwasher will display an error code. The following table shows possible error codes and their causes.

Codes	Meanings	Possible Causes
E1	Longer inlet time.	Faucets is not opened, or water intake is restricted, or water pressure is too low.
E3	Not reaching required temperature.	Malfunction of heating element.
E4	Overflow.	Some element of dishwasher leaks .
Ed	Failure of communication between main circuit board with display circuit board.	Open circuit or break wiring for the communication

## WARNING

- If overflow occurs, turn off the main water supply before calling a service.
- If there is water in the base pan because of an overfill or small leak, the water should be removed before restarting the dishwasher.
- If there is an error code that cannot be solved, please request professional assistance.

# TECHNICAL INFORMATION



<b>Height (H)</b>	590mm
<b>Width (W)</b>	550mm
<b>Depth (D1)</b>	500mm (with the door closed)
<b>Depth (D2)</b>	964mm (with the door opened 90° )

**Product fiche (EN50242)**

Sheet of household dishwasher according to EU Directive 1016/2010 &amp; 1059/2010:

Manufacturer	HÄFELE
HÄFELE Model Name	HDW-T5551B
Standard place settings	10
Energy efficiency class <b>①</b>	A+
Annual energy consumption <b>②</b>	206 kWh
Energy consumption of the standard cleaning cycle	0,815 kWh
Power consumption of off-mode	0,45 W
Power consumption of left-on mode	0,49W
Annual water consumption <b>③</b>	2660 liter
Drying efficiency class <b>④</b>	A
Standard cleaning cycle <b>⑤</b>	ECO 45°C
Program duration of the standard cleaning cycle	190 min
Noise level	49 dB(A)
Mounting	Free standing
Could be built-in	YES
Power consumption	1380-1620W
Rated voltage / frequency	220-240V/50Hz
Water pressure (flow pressure)	0,04-1,0MPa=0,4-10 bar

**NOTE:**

- ①** A + + + (highest efficiency) to D (lowest efficiency)
- ②** Energy consumption based on 280 standard cleaning cycles using cold water fill and the consumption of the low power modes. Actual energy consumption will depend on how the appliance is used.
- ③** Water consumption based on 280 standard cleaning cycles. Actual water consumption will depend on how the appliance is used.
- ④** A (highest efficiency) to G (lowest efficiency)
- ⑤** This program is suitable for cleaning soiled normally soiled tableware and that it is the most efficient program in terms of its combined energy and water consumption for that type of tableware.

# HƯỚNG DẪN SỬ DỤNG



Quét Mã Để Đăng Ký Bảo Hành &  
Chính Sách Bảo Hành

**MÁY RỬA CHÉN ĐỂ BÀN HDW-T5551B**

**Các mã sản phẩm áp dụng: : 538.21.340**

## Máy rửa bát đĩa

### Hướng dẫn sử dụng

# PHẦN I: Phiên bản thường

Vui lòng đọc kỹ hướng dẫn này trước khi sử dụng máy rửa bát đĩa.

Hãy giữ hướng dẫn này để tham khảo trong tương lai

## MỤC LỤC

### 01 THÔNG TIN AN TOÀN

### 02 TỔNG QUAN VỀ SẢN PHẨM

### 03 SỬ DỤNG MÁY RỬA BÁT ĐĨA

Đổ đầy muối vào bộ làm mềm

### 04 BẢO DƯỠNG VÀ VỆ SINH

Bảo dưỡng bên ngoài

Bảo dưỡng bên trong

Bảo dưỡng máy rửa bát đĩa

### 05 HƯỚNG DẪN LẮP ĐẶT

Giới thiệu nối nguồn

Cấp và thoát nước

Kết nối ống thoát nước

Vị trí Lắp đặt

Lắp đặt âm tủ (dành cho kiểu máy tích hợp)

### 06 BIỆN PHÁP XỬ LÝ SỰ CỐ

### 07 XẾP ĐỒ VÀO GIÁ



#### LƯU Ý:

- Đọc phần Biện pháp xử lý sự cố sẽ giúp bạn tự giải quyết một số vấn đề phổ biến.
- Nếu bạn không thể tự khắc phục sự cố, vui lòng nhờ đến sự trợ giúp của kỹ thuật viên có chuyên môn.
- Nhà sản xuất, tuân theo chính sách liên tục phát triển và cập nhật sản phẩm, có thể thực hiện các sửa đổi mà không cần thông báo trước.
- Nếu hướng dẫn sử dụng bị mất hoặc lỗi thời, bạn có thể nhận hướng dẫn sử dụng mới từ nhà sản xuất hoặc đại lý được ủy quyền

# THÔNG TIN AN TOÀN

## ⚠ CẢNH BÁO

**Khi sử dụng máy rửa bát đĩa, hãy làm theo các biện pháp phòng ngừa được liệt kê dưới đây:**

- Việc lắp đặt và sửa chữa chỉ có thể được thực hiện bởi kỹ thuật viên có chuyên môn
- Thiết bị này được thiết kế để sử dụng trong gia đình và các ứng dụng tương tự như:
  - Khu vực nhà bếp của nhân viên trong các cửa hàng, văn phòng và các môi trường làm việc khác;
  - Nhà trang trại;
  - Bồi khách hàng trong khách sạn, nhà nghỉ và các môi trường loại dân cư khác;
  - Môi trường phòng loại có giường ngủ và bữa sáng.
- Trẻ em từ 8 tuổi trở lên và những người bị suy giảm khả năng về thể chất, giác quan hoặc tinh thần hoặc thiếu kinh nghiệm và kiến thức chỉ có thể sử dụng thiết bị này nếu họ được giám sát của người chịu trách nhiệm về sự an toàn hoặc hướng dẫn sử dụng thiết bị một cách an toàn và hiểu rõ nguy hiểm liên quan.
- Trẻ em không được chơi đùa với thiết bị. Trẻ em không được thực hiện vệ sinh và bảo dưỡng nếu không có sự giám sát của người lớn. (Đối với EN60335-1)
- Thiết bị này không dành cho những người (bao gồm cả trẻ em) bị suy giảm khả năng về thể chất, giác quan hoặc tinh thần, hoặc thiếu kinh nghiệm và kiến thức, trừ họ được giám sát hoặc hướng dẫn sử dụng thiết bị bởi người chịu trách nhiệm về sự an toàn. (Đối với IEC60335-1)
- Vật liệu đóng gói có thể gây nguy hiểm cho trẻ em!
- Cần giám sát trẻ em để đảm bảo rằng chúng không chơi đùa với thiết bị.
- Thiết bị này chỉ dành cho sử dụng trong nhà.  
Để bảo vệ khỏi nguy cơ bị điện giật, không nhúng thiết bị, dây điện hoặc phích cắm vào nước hoặc chất lỏng khác
- Vui lòng rút phích cắm trước khi vệ sinh và bảo trì thiết bị. Dùng khăn mềm thấm vào chất tẩy rửa dịu nhẹ, sau đó dùng khăn khô để lau lại.
- Nếu dây nguồn bị hỏng, phải được thay thế bởi nhà sản xuất hoặc đại lý dịch vụ hoặc kỹ thuật viên có chuyên môn tương đương để tránh nguy hiểm.

## **Hướng dẫn nối đất**

---

- Những thiết bị này phải được nối đất. Trong trường hợp có trục trặc hoặc sự cố, việc nối đất sẽ giảm nguy cơ bị điện giật bằng cách cung cấp đường dẫn có ít điện trở nhất. Thiết bị này được trang bị phích cắm có dây dẫn nối đất.
- Phích cắm phải được cắm vào ổ cắm thích hợp đã được lắp đặt và nối đất tuân theo tất cả các quy định và quy định của địa phương.
- Kết nối dây dẫn nối đất của thiết bị không đúng cách có thể dẫn đến nguy cơ bị điện giật.
- Kiểm tra với thợ điện hoặc đại diện dịch vụ có trình độ nếu bạn nghi ngờ liệu thiết bị có được nối đất đúng cách hay không.
- Không sửa đổi phích cắm đi kèm với thiết bị nếu không vừa với ổ cắm.
- Ổ cắm phù hợp phải do thợ điện có chuyên môn lắp đặt.
- Không sử dụng không đúng cách, ngồi hoặc đứng trên cửa hoặc giá để bát đĩa của máy rửa bát.
- Chỉ vận hành máy rửa bát của bạn khi tất cả các tấm bao quanh được đặt đúng vị trí.
- Mở cửa thật cẩn thận nếu máy rửa bát đĩa đang hoạt động, có nguy cơ nước phun ra ngoài.
- Không đặt bất kỳ vật nặng nào lên hoặc đứng trên cửa khi cửa đang mở. Thiết bị có thể nghiêng về phía trước.
- Khi xếp đồ cần rửa:
  - 1) Sắp xếp các vật sắc nhọn để chúng không có khả năng làm hỏng gioăng cửa;
  - 2) Cảnh báo: Dao và các đồ dùng khác có đầu nhọn phải được cho vào giỏ với đầu nhọn hướng xuống dưới hoặc đặt ở vị trí nằm ngang.
- Một số chất tẩy rửa dành cho máy rửa bát đĩa có tính kiềm mạnh. Chúng có thể cực kỳ nguy hiểm nếu nuốt phải. Tránh tiếp xúc với da và mắt và để trẻ em tránh xa máy rửa bát đĩa khi cửa mở.
- Kiểm tra để đảm bảo không còn cặn chất tẩy rửa sau khi hoàn thành chu trình rửa.
- Không rửa đồ nhựa trừ khi chúng được đánh dấu "an toàn với máy rửa bát đĩa" hoặc tương đương.
- Đối với các mặt hàng nhựa không được đánh dấu như vậy, hãy kiểm tra các khuyến nghị của nhà sản xuất.
- Chỉ sử dụng chất tẩy rửa được khuyến nghị sử dụng trong máy rửa bát đĩa tự động.
- Không sử dụng xà phòng, bột giặt hoặc chất tẩy rửa tay trong máy rửa bát đĩa.
- Không nên để cửa mở vì điều này có thể làm tăng nguy cơ va đập.
- Trong quá trình lắp đặt, dây điện không được uốn cong hoặc dẹt quá mức hoặc gây nguy hiểm.



- Không can thiệp vào điều khiển.
- Cán kết nối thiết bị với van nước chính bằng bộ ống cấp nước mềm mới. Bộ cũ không nên được sử dụng lại.
- Để tiết kiệm năng lượng, ở chế độ chờ, thiết bị sẽ tự động tắt sau 15 phút khi không có tương tác nào của người dùng.
- Số lượng cài đặt tối đa được rửa là 10.
- Áp suất nước đầu vào tối đa cho phép là 1MPa.
- Áp suất nước đầu vào nhỏ nhất cho phép là 0,04MPa.

## Thải Bỏ

Để thải bỏ bao bì và thiết bị, vui lòng đến trung tâm tái chế.  
Cắt dây điện và đóng cửa thiết bị đảm bảo thiết bị không sử dụng được.



Bao bì thùng các tông được sản xuất từ giấy tái chế và nên được xử lý theo giấy thải để tái chế.

Bằng cách đảm bảo sản phẩm này được thải bỏ đúng cách, bạn sẽ giúp ngăn ngừa các hậu quả tiêu cực tiềm ẩn đối với môi trường và sức khỏe con người, những hậu quả có thể gây ra do xử lý rác thải không phù hợp đối với sản phẩm này.

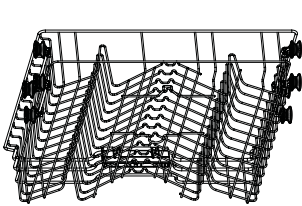
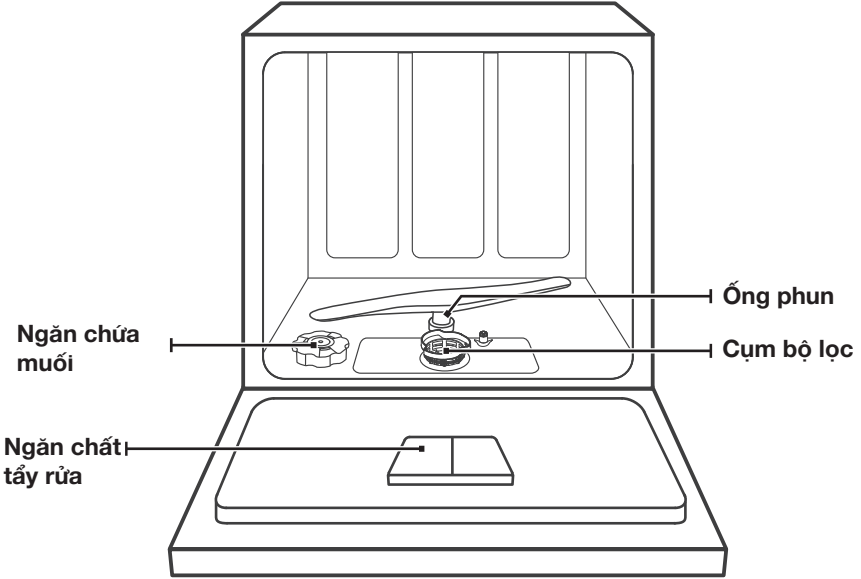
Để biết thêm thông tin chi tiết về việc tái chế sản phẩm này, vui lòng liên hệ với văn phòng thành phố tại địa phương và dịch vụ xử lý rác thải sinh hoạt.

**THẢI BỎ: Không vứt bỏ sản phẩm này khi chưa được phân loại rác thải đô thị.  
Việc thu gom riêng các chất thải đó để xử lý đặc biệt là cần thiết.**

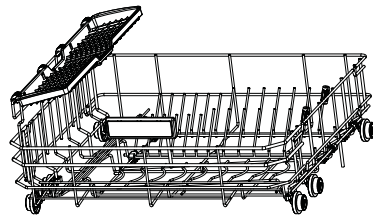
# TỔNG QUAN VỀ SẢN PHẨM

## ❗ QUAN TRỌNG:

Để có được hiệu suất tốt nhất từ máy rửa bát đĩa, hãy đọc tất cả các hướng dẫn vận hành trước khi sử dụng lần đầu tiên.



Giá trên



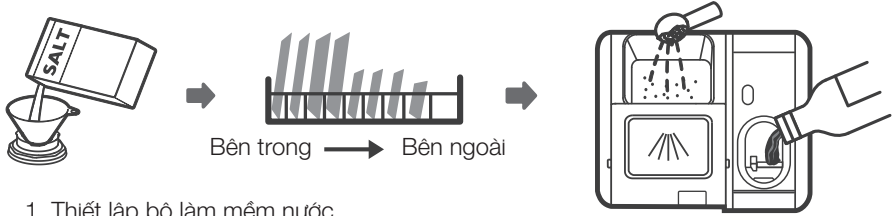
Giá dưới

## 💡 LƯU Ý:

Hình ảnh chỉ để tham khảo, các model khác nhau có thể khác nhau.

# SỬ DỤNG MÁY RỬA BÁT ĐĨA

Trước khi sử dụng máy rửa bát đĩa



1. Thiết lập bộ làm mềm nước
2. Đổ muối vào bộ làm mềm nước
3. Xếp đồ vào giỏ
4. Đổ đầy ngăn chất tẩy rửa



Vui lòng xem phần 1 "Bộ làm mềm nước" của PHẦN II: Phiên bản Đặc biệt, Nếu bạn cần cài đặt thiết bị làm mềm nước .

## Đổ muối vào bộ làm mềm nước

### 💡 LƯU Ý:

Nếu kiểu máy của bạn không có bộ làm mềm nước, bạn có thể bỏ qua phần này. Luôn sử dụng muối dành cho máy rửa bát đĩa.

Ngăn chứa muối nằm bên dưới giỏ dưới và phải được đổ đầy như phần giải thích sau đây:

### ⚠ CẢNH BÁO

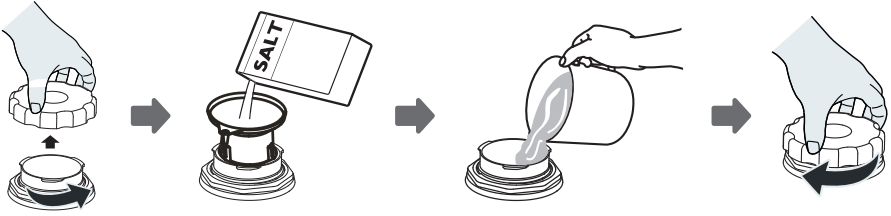
- **Chỉ sử dụng muối được thiết kế đặc biệt để sử dụng trong máy rửa bát đĩa!**

Mọi loại muối khác không được thiết kế đặc biệt để sử dụng trong máy rửa bát đĩa, **đặc biệt là muối ăn, sẽ làm hỏng bộ làm mềm nước.** Trong trường hợp hư hỏng do sử dụng muối không phù hợp, nhà sản xuất không đưa ra bất kỳ bảo hành nào cũng như không chịu trách nhiệm cho bất kỳ thiệt hại nào gây ra.

- **Chỉ đổ đầy muối trước khi chạy một chu kỳ.**


Điều này sẽ ngăn chặn hạt muối hoặc nước mặn đọng lại ở đáy máy trong một khoảng thời gian, có thể gây ăn mòn.

Vui lòng làm theo các bước dưới đây để đổ muối cho máy rửa bát đĩa:



1. Tháo giá dưới và vặn nắp bình chứa.
2. Đặt phần cuối của phễu (nếu được cung cấp) vào lỗ và đổ khoảng 1 kg muối rửa bát đĩa vào.
3. Đổ đầy nước vào hộp chứa muối đến giới hạn tối đa. Việc một lượng nhỏ nước chảy ra khỏi hộp chứa muối là điều bình thường.
4. Sau khi đổ đầy bình chứa, vặn chặt nắp lại.
5. Đèn cảnh báo muối sẽ tắt sau khi hộp chứa muối đã được đổ đầy muối.
6. Ngay sau khi đổ muối vào bình chứa muối, nên bắt đầu chương trình rửa (Chúng tôi khuyên bạn nên sử dụng chương trình ngắn). Nếu không, hệ thống lọc, máy bơm hoặc các bộ phận quan trọng khác của máy có thể bị hư hỏng do nước mặn. Việc này ngoài phạm vi bảo hành.

## 💡 LƯU Ý:

- Hộp chứa muối chỉ được đổ đầy lại khi đèn cảnh báo muối (  ) trên bảng điều khiển bật sáng. Tùy thuộc vào mức độ hòa tan của muối, đèn cảnh báo muối có thể vẫn sáng mặc dù hộp chứa muối đã được đổ đầy. Nếu không có đèn cảnh báo muối trong bảng điều khiển (đối với một số model), bạn có thể ước tính thời điểm đổ muối vào chất làm mềm nước theo chu trình mà máy rửa bát đĩa đã chạy.
- Nếu muối tràn ra ngoài, hãy chạy chương trình ngâm hoặc nhanh để loại bỏ muối.

# BẢO DƯỠNG VÀ VỆ SINH

## Bảo dưỡng bên ngoài

### Cửa và gioăng cửa

Lau chùi các gioăng cửa thường xuyên bằng vải ẩm mềm để loại bỏ cặn thức ăn. Khi máy rửa bát đĩa đang được xếp đồ, cặn thức ăn và đồ uống có thể nhỏ xuống hai bên cửa máy. Những bề mặt này nằm bên ngoài tủ rửa và nước từ các cánh phun không tiếp cận được. Mọi cặn lắng phải được lau sạch trước khi đóng cửa.

### Bảng điều khiển

Nếu cần làm sạch, chỉ nên lau bảng điều khiển bằng vải ẩm mềm.

### ⚠ CẢNH BÁO

- Để tránh nước xâm nhập vào khóa cửa và các bộ phận điện, không sử dụng bất kỳ loại chất tẩy rửa dạng xịt nào.
- Không sử dụng chất tẩy rửa có tính ăn mòn hoặc miếng cọ rửa trên các bề mặt bên ngoài vì chúng có thể làm xước lớp hoàn thiện. Một số khăn giấy cũng có thể làm xước hoặc để lại vết trên bề mặt.

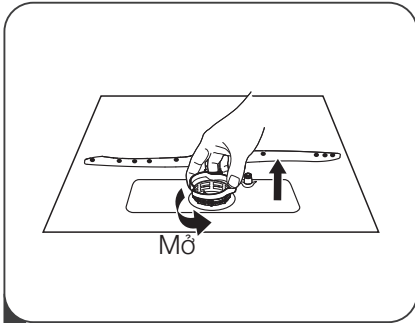
## Bảo dưỡng bên trong

### Hệ thống lọc

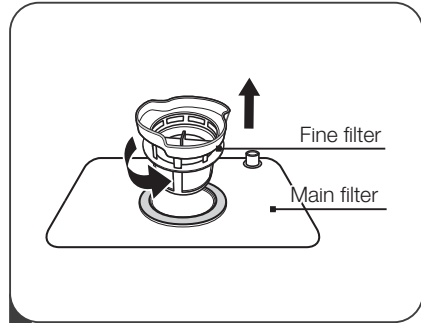
Hệ thống lọc ở đáy tủ rửa giữ lại các mảnh vụn thô từ chu trình rửa, bao gồm các vật thể lạ như tăm xỉa răng hoặc mảnh vụn. Các mảnh vụn thô tích tụ có thể làm cho các bộ lọc bị tắc. Hãy thường xuyên kiểm tra tình trạng của các bộ lọc, cẩn thận loại bỏ các vật lạ và làm sạch các bộ phận của hệ thống lọc bằng nước nếu cần. Thực hiện theo các bước dưới đây để làm sạch bộ lọc.

### 💡 LƯU Ý:

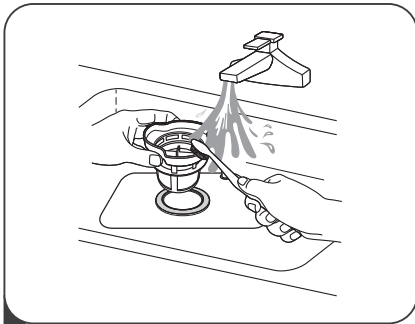
Hình ảnh chỉ mang tính tham khảo, các model khác nhau sẽ có hệ thống lọc và ống phun khác nhau.



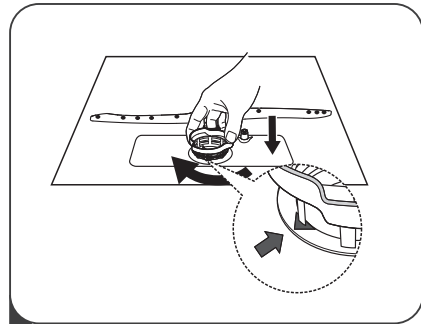
- 1 Giữ bộ lọc thô và xoay ngược chiều kim đồng hồ để tháo. Nhấc bộ lọc lên trên và ra khỏi máy.



- 2 Nhấc bộ lọc tinh ra khỏi bộ lọc chính.



- 3 Mảnh vụn thức ăn lớn có thể được làm sạch bằng cách rửa bộ lọc bằng vòi nước. Để làm sạch kỹ hơn có thể dùng bàn chải.



- 4 Lắp lại bộ lọc theo quy trình ngược lại, và xoay theo chiều kim đồng hồ.

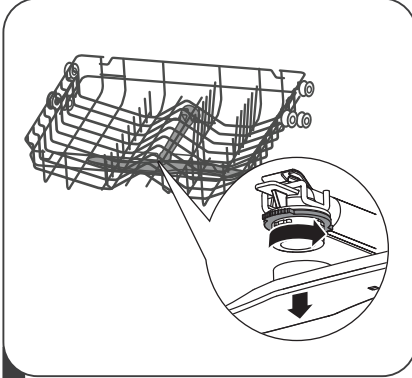
## ⚠ CẢNH BÁO

- Không vận quá chặt các bộ lọc. Đặt các bộ lọc trở lại theo trình tự một cách an toàn, nếu không các mảnh vụn thô có thể lọt vào hệ thống và gây tắc nghẽn.
- **KHÔNG** sử dụng máy rửa bát đĩa nếu thiếu bộ lọc. Việc thay thế bộ lọc không đúng cách có thể làm giảm mức hiệu suất của thiết bị và làm hỏng bát đĩa và đồ dùng.

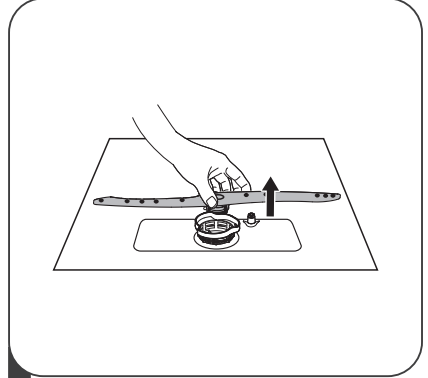
## Ống phun

Cần vệ sinh ống phun thường xuyên vì nước cứng hóa chất sẽ làm tắc vòi phun và bạc đạn của ống phun.

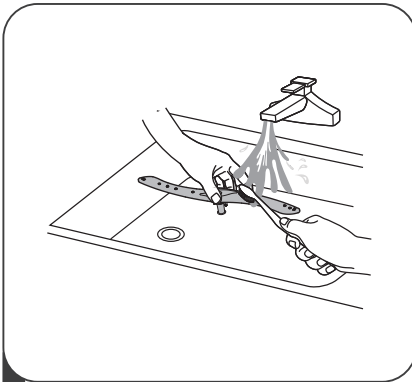
Để làm sạch các ống phun, hãy làm theo các hướng dẫn bên dưới:



- 1 Để tháo ống phun trên, hãy giữ đai ốc ở giữa và xoay ống phun ngược chiều kim đồng hồ để tháo ra



- 2 Để tháo ống phun dưới, hãy kéo ống phun lên trên



- 3 Rửa ống phun bằng nước xà phòng ấm và dùng bàn chải để vệ sinh. Lắp lại sau khi đã rửa sạch hoàn toàn.

# Bảo dưỡng máy rửa bát đĩa

## **Biện pháp chống đóng băng (vào mùa đông)**

Vui lòng thực hiện các biện pháp chống đóng băng trên máy rửa bát đĩa vào mùa đông. Mỗi lần sau các chu trình rửa, vui lòng thao tác như sau:

1. Cắt nguồn điện của máy rửa bát đĩa tại nguồn cung cấp.
2. Tắt nguồn cấp nước và ngắt kết nối ống dẫn nước vào ra khỏi van nước.
3. Xả nước khỏi ống cấp nước và van nước. (Dùng khay hứng nước)
4. Nối lại ống dẫn nước vào van nước.
5. Tháo bộ lọc ở đáy lồng rửa và sử dụng miếng bọt biển để thấm nước.

## **Sau mỗi lần rửa**

Sau mỗi lần rửa, hãy tắt nguồn cấp nước cho thiết bị và để cửa hơi mở một lúc để hơi ẩm và mùi hôi không bị giữ lại bên trong.

## **Rút phích cắm**

Trước khi vệ sinh hoặc bảo trì, luôn rút phích cắm ra khỏi ổ cắm.

## **Không sử dụng dung môi hoặc chất làm sạch ăn mòn**

Để làm sạch bên ngoài và các bộ phận bằng cao su của máy rửa bát đĩa, không sử dụng dung môi hoặc sản phẩm làm sạch ăn mòn. Chỉ sử dụng một miếng vải với nước xà phòng ấm có tính tẩy rửa dịu nhẹ.

Để loại bỏ các đốm hoặc vết bẩn trên bề mặt bên trong, hãy sử dụng một miếng vải thấm nước với một ít giấm hoặc sản phẩm tẩy rửa dành riêng cho máy rửa bát.

## **Khi không sử dụng trong một thời gian dài**

Bạn nên chạy một chu trình rửa khi máy rửa bát đĩa không có nước, sau đó rút phích cắm ra khỏi ổ cắm, tắt nguồn cấp nước và để cửa thiết bị mở hé. Điều này sẽ giúp gioăng cửa bền hơn và ngăn mùi hình thành bên trong thiết bị.

## **Di chuyển thiết bị**

Nếu phải di chuyển thiết bị, hãy cố gắng giữ thiết bị ở vị trí thẳng đứng. Nếu thực sự cần thiết, nó có thể đặt phân lung xuống dưới.

## **Gioăng**

Một trong những yếu tố gây ra mùi hôi trong máy rửa bát đĩa là thức ăn vẫn còn mắc kẹt trong gioăng. Làm sạch định kỳ bằng miếng bọt biển ẩm sẽ ngăn điều này xảy ra.



# HƯỚNG DẪN LẮP ĐẶT

## ⚠ CẢNH BÁO



### Nguy cơ điện giật

Ngắt điện trước khi lắp đặt máy rửa bát đĩa.

Nếu không làm như vậy có thể dẫn đến tử vong hoặc điện giật.

## ⚠ Chú ý

Việc lắp đặt các đường ống và thiết bị điện nên được thực hiện bởi nhân viên kỹ thuật.

## Nối nguồn

## ⚠ CẢNH BÁO

**Vi sự an toàn cá nhân:**

- Không sử dụng dây nối dài hoặc phích cắm bộ chuyển đổi với thiết bị này.
- Trong mọi trường hợp, không được cắt hoặc tháo đầu nối đất ra khỏi dây nguồn.

### Yêu cầu về điện

Vui lòng xem nhãn định mức để biết điện áp định mức và kết nối máy rửa bát đĩa với nguồn điện thích hợp. Sử dụng cầu chì 10A/13A/16A cần thiết, cầu chì trễ thời gian hoặc bộ ngắt mạch được khuyến nghị và cung cấp mạch riêng chỉ phục vụ thiết bị này.

### Kết nối điện

Đảm bảo điện áp và tần số của nguồn điện tương ứng với điện áp và tần số trên tem sản phẩm qui định (rating label). Chỉ cắm phích cắm vào ổ cắm điện đã được nối đất đúng cách. Nếu ổ cắm điện mà thiết bị phải được kết nối không phù hợp với phích cắm, hãy thay thế ổ cắm, không sử dụng bộ giảm điện áp hoặc thiết bị tương tự vì chúng có thể gây quá nhiệt và bỏng.

⚠ **Đảm bảo có nối đất thích hợp trước khi sử dụng**

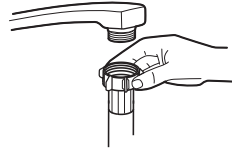
# Cấp nước và thoát nước

## Giới thiệu về ống cấp an toàn

### Kết nối nước lạnh

Nối ống cấp nước lạnh với đầu nối 3/4 (inch) có ren và đảm bảo rằng gắn chặt vào vị trí.

Nếu đường ống nước còn mới hoặc đã lâu không sử dụng, hãy để nước chảy để đảm bảo nước trong và sạch. Biện pháp phòng ngừa này là cần thiết để tránh nguy cơ nước đầu vào bị tắc và làm hỏng thiết bị.



Ống cấp nước thường



Ống cấp nước an toàn

## Về ống cấp nước an toàn

Ống cấp nước an toàn bao gồm thành kép. Hệ thống đảm bảo sự can thiệp bằng cách chặn dòng nước trong trường hợp ống cấp nước bị đứt và khi khoảng không giữa bản thân ống cấp và ống bên ngoài chứa đầy nước.

### ⚠ CẢNH BÁO

Ống nối với vòi có thể bị vỡ nếu được lắp trên cùng một đường nước với máy rửa bát đĩa. Nếu bồn rửa của bạn có một cái, bạn nên ngắt nối ống và cắm vào lỗ.

## Cách nối ống cấp nước an toàn

1. Kéo các ống cấp nước an toàn ra khỏi ngăn bảo quản ở phía sau máy rửa bát đĩa.
2. Siết chặt các vít của ống cấp nước an toàn vào vòi bằng ren 3/4 inch.
3. Mở hết nước trước khi khởi động máy rửa bát đĩa.

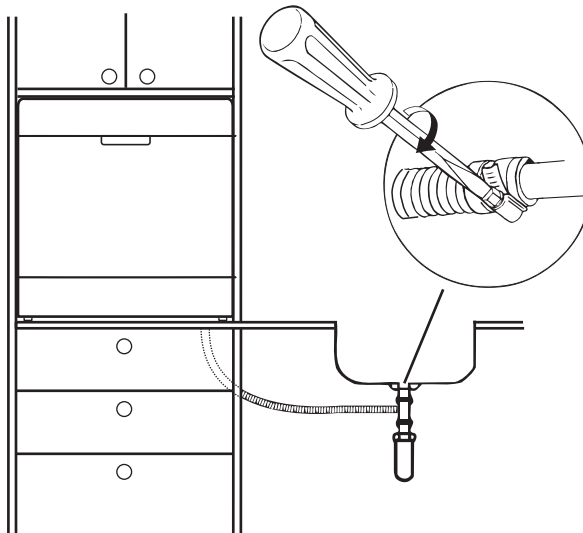
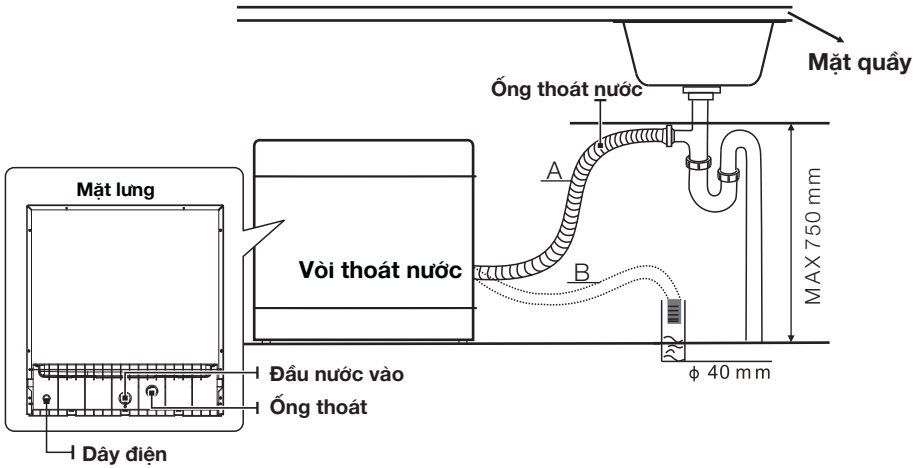
## Cách tháo ống cấp nước an toàn

1. Tắt nước.
2. Tháo ống cấp an toàn ra khỏi vòi.

# Lắp ống thoát nước

Lắp ống thoát nước vào ống thoát nước có đường kính tối thiểu 4 cm hoặc để ống chảy vào lồng rửa, đảm bảo tránh làm cong hoặc gấp nếp ống. Chiều cao của ống thoát nước phải nhỏ hơn 750 mm. Đầu còn lại của ống không được ngâm trong nước để tránh nước chảy ngược.

**⚠ Vui lòng cố định chắc chắn ống thoát nước ở vị trí A hoặc vị trí B**



## **Làm thế nào để thoát nước thừa từ ống**

Nếu lắp ống thoát nước ở vị trí cao hơn 1000 mm, nước dư thừa có thể vẫn còn trong ống thoát nước. Sẽ cần phải xả nước thừa từ vòi vào một cái bát hoặc vật chứa phù hợp được giữ bên ngoài và thấp hơn lồng rửa.

## **Cửa thoát nước**

Nối ống thoát nước. Ống thoát nước phải được lắp đúng cách để tránh rò rỉ nước. Đảm bảo rằng ống thoát nước không bị gấp khúc hoặc đè bẹp.

## **Ống nối dài**

Nếu bạn cần nối dài ống thoát nước, hãy đảm bảo sử dụng ống thoát nước tương tự. Không được dài hơn 4 mét; nếu không, hiệu quả làm sạch của máy rửa bát đĩa có thể bị giảm.

## **Lắp xi phông**

Đầu nối chất thải phải ở độ cao dưới 1000 mm (tối đa) tính từ đáy máy rửa bát.

## **Vị trí lắp đặt Thiết bị**

Đặt thiết bị ở vị trí mong muốn. Mặt sau phải tựa vào bức tường phía sau và các mặt, dọc theo các tủ hoặc tường liền kề. Máy rửa bát đĩa được trang bị các ống cấp nước và xả nước có thể được đặt ở bên phải hoặc bên trái để thuận tiện cho việc lắp đặt đúng cách.

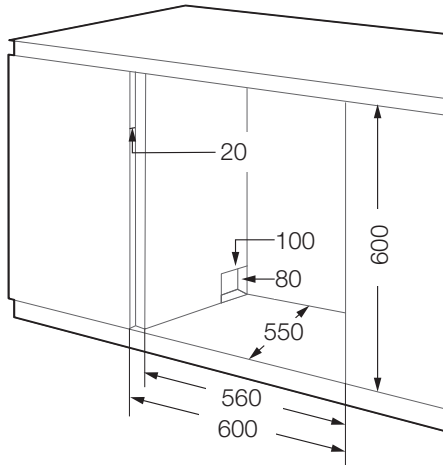
## Lắp đặt âm tủ (đối với model tích hợp)

### Bước 1. Chọn vị trí tốt nhất cho máy rửa bát đĩa

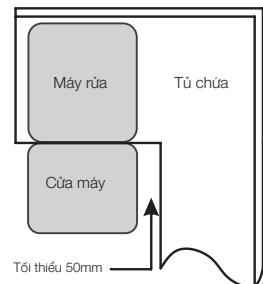
Vị trí lắp đặt của máy rửa bát đĩa phải ở gần đầu nước vào, ống thoát nước ra và ổ cắm điện hiện có.

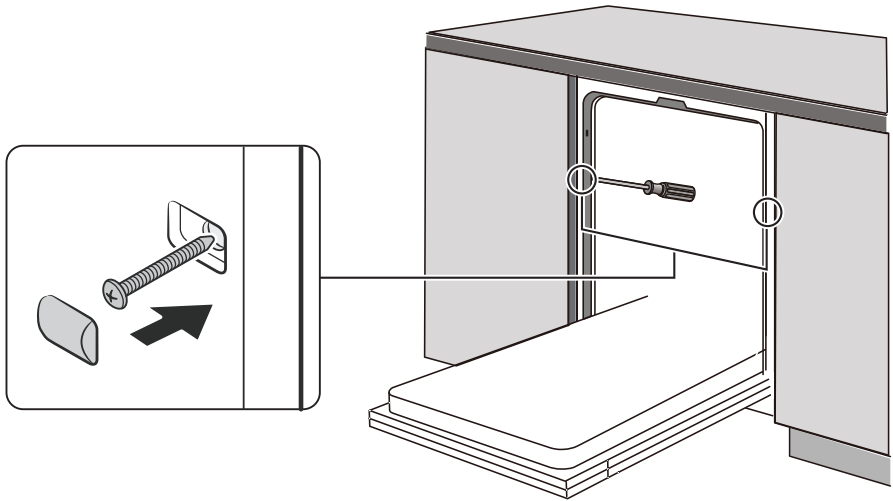
Hình ảnh minh họa kích thước tủ và vị trí lắp đặt máy rửa bát.

1. Dưới 5 mm giữa mặt trên của máy rửa bát đĩa và tủ và cửa bên ngoài thẳng hàng với tủ.



2. Nếu máy rửa bát đĩa được lắp đặt ở góc tủ, nên có một khoảng trống khi mở cửa.



**Bước 2. Lắp đặt máy rửa bát đĩa vào tủ**

# BIỆN PHÁP XỬ LÝ SỰ CỐ

## Trước Khi Gọi Kỹ thuật

Vui lòng tìm hiểu thông tin ở các trang sau đây trước khi gọi kỹ thuật.

Sự cố	Nguyên nhân có thể	Giải pháp
Máy rửa bát đĩa không khởi động	Cầu chì bị đứt hoặc cầu dao bị ngắt.	Thay thế cầu chì hoặc đặt lại bộ ngắt mạch. Loại bỏ bất kỳ thiết bị nào khác có sử dụng chung mạch điện với máy rửa bát đĩa.
	Không thể bật nguồn	Đảm bảo rằng máy rửa bát đĩa đã được bật và cửa được đóng chặt. Đảm bảo dây nguồn được cắm đúng cách vào ổ cắm trên tường.
	Cửa máy rửa bát đĩa không đóng được.	Đảm bảo đóng kín cửa và chốt lại.
Nước không được bơm thoát ra ngoài từ máy rửa bát	Bị xoắn ống thoát	Kiểm tra ống thoát.
	Bộ lọc bị tắc.	Kiểm tra bộ lọc thô. (xem phần có tiêu đề " Bảo dưỡng bên trong ")
	Bồn rửa nhà bếp bị tắc.	Kiểm tra bồn rửa nhà bếp để đảm bảo thoát nước tốt. Nếu vấn đề là bồn rửa bát không thoát nước, bạn có thể cần thợ sửa ống nước hơn là thợ sửa máy rửa bát đĩa.
Bọt trong lồng rửa	Chất tẩy rửa không phù hợp	Chỉ sử dụng chất tẩy rửa chuyên dụng dành cho máy rửa bát đĩa để tránh tạo bọt. Nếu điều này xảy ra, hãy mở máy rửa bát đĩa và để bọt tan. Thêm 1 gallon nước lạnh vào bồn rửa. Đóng và chốt máy rửa bát đĩa, sau đó Bắt đầu bất kỳ chu trình rửa nào để xả hết nước. Lập lại nếu cần thiết
	Chất trợ xả bị đổ.	Luôn lau sạch chất trợ xả bị tràn đổ ngay lập tức.
Bên trong lồng rửa bị ố	Có thể đã sử dụng chất tẩy rửa có chất tạo màu.	Hãy chắc chắn rằng chất tẩy rửa không có chất tạo màu.
Màng trắng trên bề mặt bên trong	Nước cứng khoáng chất.	Để vệ sinh bên trong, hãy sử dụng khăn mềm ẩm với chất tẩy rửa dành cho máy rửa bát đĩa và đeo găng tay cao su. Không sử dụng bất kỳ chất tẩy rửa nào khác ngoài chất tẩy rửa dành cho máy rửa bát đĩa vì nguy cơ tạo bọt.

Có vết rỉ sét trên dao kéo	Các đồ dùng bị ảnh hưởng không có khả năng chống ăn mòn.	Tránh rửa các đồ dùng không có khả năng chống ăn mòn trong máy rửa bát đĩa.
	Một chương trình không chạy sau khi thêm muối máy rửa bát đĩa. Dầu vết của muối đã đi vào chu kỳ rửa.	Luôn chạy chương trình rửa nhanh. không có bất kỳ đồ sành sứ nào trong máy rửa bát đĩa và không chọn chức năng Turbo (nếu có), sau khi thêm muối máy rửa bát đĩa.
	Nắp mềm bị lỏng	Kiểm tra. Đảm bảo đóng chặt.
Tiếng kêu trong lồng rửa	Ống phun va vào một món đồ trên giá.	Tạm ngừng chương trình và sắp xếp lại các đồ dùng đang cản trở ống phun.
Tiếng lạch cạch trong lồng rửa	Đồ sành sứ bị lỏng trong lồng rửa.	Tạm ngừng chương trình và sắp xếp lại các món đồ sành sứ.
Tiếng kêu trong đường ống nước	Điều này có thể do lắp đặt tại chỗ hoặc mặt cắt ngang của đường ống.	Điều này không ảnh hưởng đến chức năng của máy rửa bát đĩa. Nếu nghi ngờ, liên hệ với một thợ sửa ống nước có trình độ.
Bát đĩa không sạch	Bát đĩa không được xếp đúng cách.	Xem PHẦN II "Chuẩn bị và xếp bát đĩa".
	Chương trình không đủ mạnh.	Chọn một chương trình mạnh hơn.
	Không đủ chất tẩy rửa.	Sử dụng thêm chất tẩy rửa, hoặc thay đổi chất tẩy rửa.
	Có đồ dùng chặn sự di chuyển của ống phun	Sắp xếp lại các đồ dùng để ống phun có thể xoay tự do.
	Tổ hợp bộ lọc ở đáy tủ rửa không sạch hoặc không được lắp đúng cách. Điều này có thể khiến các vòi phun bị tắc	Vệ sinh và/hoặc lắp bộ lọc đúng cách. Làm sạch các vòi phun.
Độ vẩn đục trên đồ thủy tinh.	Sự kết hợp của nước mềm và quá nhiều chất tẩy rửa.	Sử dụng ít chất tẩy rửa hơn nếu bạn có nước mềm và chọn chu kỳ ngắn hơn để rửa đồ thủy tinh và làm sạch.
Các vết đen hoặc xám trên bát đĩa	Dụng cụ bằng nhôm cọ xát với bát đĩa	Sử dụng chất tẩy rửa có tính ăn mòn nhẹ để loại bỏ các vết đó.
Chất tẩy rửa còn sót lại trong ngăn	Bát đĩa chặn ngăn chất tẩy rửa	Xếp lại bát đĩa đúng cách.



Bát đĩa không được sấy khô	Xếp đồ không đúng cách	Sử dụng găng tay nếu thấy cần thiết để tránh kích ứng da. rửa trên bát đĩa để tránh kích ứng da.
	Bát đĩa được lấy ra quá sớm.	Không lấy bát đĩa ra khỏi máy rửa bát ngay sau khi rửa. Mở hé cửa để hơi thoát ra ngoài. Bắt đầu lấy bát đĩa ra khi bát đĩa vừa đủ ấm khi chạm vào. Lấy đồ ở giá dưới trước. Điều này ngăn nước rơi xuống bát đĩa từ giá trên.
	Chọn sai chương trình rửa	Trong các chương trình ngắn, nhiệt độ rửa thấp hơn. Điều này cũng làm giảm hiệu suất làm sạch. Chọn chương trình có thời gian rửa lâu.
	Sử dụng dao kéo với lớp phủ chất lượng thấp.	Việc thoát nước khô khăn hơn với những vật dụng này. Dao kéo hoặc bát đĩa loại này không thích hợp để rửa trong máy rửa bát đĩa.

## CẢNH BÁO

Tự sửa chữa hoặc sửa chữa không đúng chuyên môn có thể gây ra rủi ro nghiêm trọng cho sự an toàn của người sử dụng thiết bị và ảnh hưởng đến bảo hành.

# || XẾP ĐỒ DÙNG VÀO GIÁ

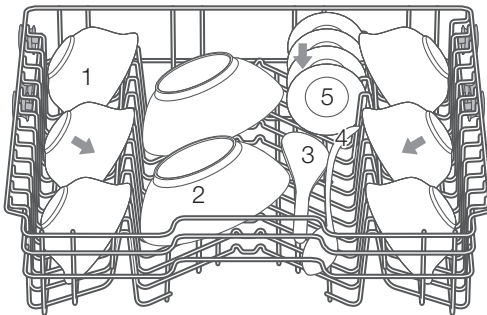
## Sơ đồ xếp vào giá

Đặt mặt bị bẩn theo hướng ➔

### ⚠ CHÚ Ý

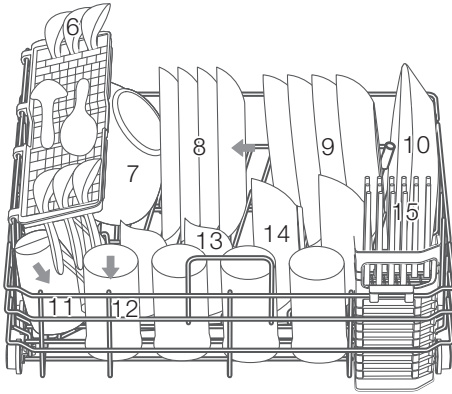
- Tất cả đồ dùng nên được đặt nghiêng, điều này có thể cải thiện diện tích được rửa và chất lượng rửa. Nếu đặt sai hướng, hiệu quả làm sạch sẽ không cao.
- Để các tia nước có thể làm sạch hoàn toàn bề mặt bị bẩn, cần đặt bề mặt bị bẩn theo đường chéo vào trong.
- Dao và các dụng cụ sắc nhọn khác phải được đặt trong giá với đầu hướng xuống hoặc đặt nằm ngang.
- Bộ đồ dùng ăn uống không được vượt quá đáy giá và chiều cao của bộ đồ dùng ăn uống phía dưới nên giới hạn ở mức 24,5 cm để tránh cản trở chuyển động quay của vòi phun.

### 1. Lắp đặt giá bát đĩa trên



Số	Mục
1	Bát cơm
2	Tô mì
3	Thìa canh, thìa cơm
4	Giỏ đựng đĩa thì
5	Gia vị

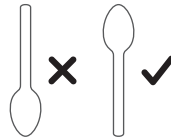
## 2. Lắp đặt giá bát đĩa dưới



Số	Mục
6	Bát súp nhỏ
7	Bát súp
8	Món cao lầu
9	Đĩa nông và sâu
10	Đĩa cá
11	Cốc
12	Ly
13	Bát cơm
14	Tô mì
15	Đũa

### Giỏ đựng đũa thìa

Tay cầm của dao kéo phải úp xuống. Khi đặt dao kéo sắc nhọn, hãy cẩn thận tránh làm trầy xước.



# **Máy rửa bát đĩa**

## **Hướng dẫn sử dụng**

### **PHẦN II: Phiên Bản Đặc Biệt**

Vui lòng đọc kỹ hướng dẫn này trước khi sử dụng máy rửa bát và lưu giữ hướng dẫn này để tham khảo sau này.

# MỤC LỤC

## SỬ DỤNG MÁY RỬA BÁT ĐĨA

01

- Bảng điều khiển
- Bộ làm mềm nước
- Chuẩn bị và nạp bát đĩa
- Chức năng của chất trợ xả và chất tẩy rửa
- Đổ đầy ngăn chất trợ rửa
- Đổ đầy ngăn chất tẩy rửa

## LỰA CHỌN CHƯƠNG TRÌNH

02

- Bảng Chu trình rửa
- Tiết kiệm năng lượng
- Bắt đầu chương trình
- Thay đổi chương trình Giữa chu kỳ
- Quên bát đĩa ở ngoài ?

03

## MÃ LỖI

04

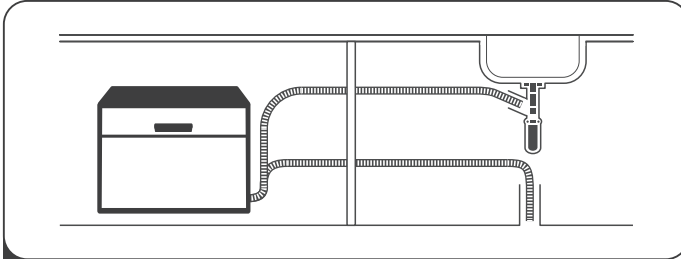
## THÔNG TIN KỸ THUẬT

### LƯU Ý:

- Nếu bạn không thể tự khắc phục sự cố, vui lòng nhờ đến sự trợ giúp của kỹ thuật viên chuyên nghiệp.
- Nhà sản xuất, theo chính sách liên tục phát triển và cập nhật sản phẩm, có thể thực hiện các sửa đổi mà không cần thông báo trước.
- Nếu bị mất hoặc hướng dẫn sử dụng lỗi thời, bạn có thể nhận hướng dẫn sử dụng mới từ nhà sản xuất hoặc đại lý được ủy quyền.

# HƯỚNG DẪN SỬ DỤNG NHANH

Vui lòng đọc nội dung tương ứng trên hướng dẫn sử dụng để biết phương pháp vận hành chi tiết.

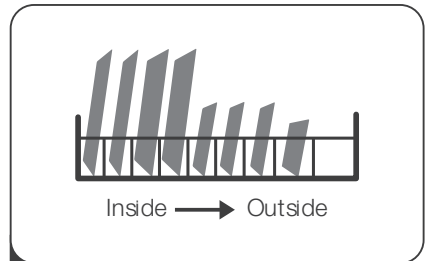


1 Lắp đặt máy rửa bát đĩa

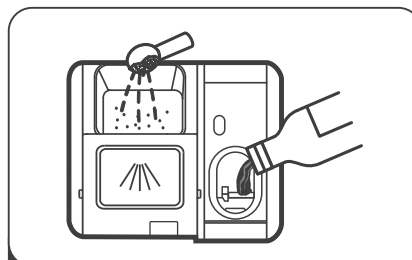
(Vui lòng kiểm tra phần 5 "HƯỚNG DẪN LẮP ĐẶT PHẦN I: Phiên bản Chung.)



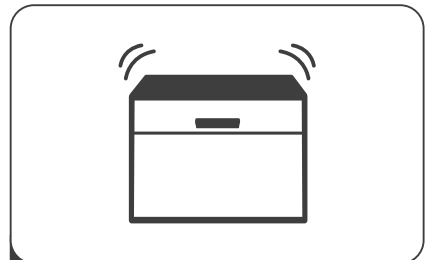
2 loại bỏ phần thức ăn thừa từ bát đĩa.  
Không rửa trước bát đĩa bằng tay.



3 Xếp bát đĩa vào giá



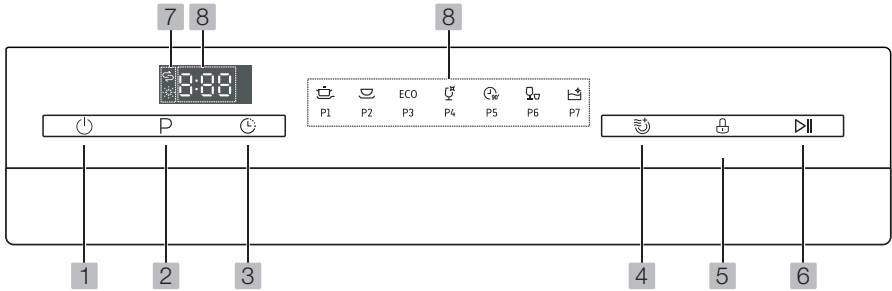
4 Đổ đầy ngăn chất tẩy và ngăn chất trợ xả



5 Chọn chương trình phù hợp và khởi động máy rửa bát đĩa.

# SỬ DỤNG MÁY RỬA BÁT ĐĨA





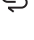
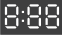






## Bảng điều khiển



## Vận hành (Nút)

1	<b>Nguồn</b>	<b>Nhấn nút này để bật máy rửa bát đĩa.</b>
2	<b>Chương trình</b>	Nhấn nút này để chọn chương trình rửa thích hợp, đèn báo chương trình được chọn sẽ sáng trên vị trí hiển thị thông tin (8)
3	<b>Hẹn giờ</b>	Nhấn nút này để đặt hẹn giờ. Bạn có thể hẹn giờ bắt đầu giặt lên đến 24 giờ. Một lần nhấn vào nút này sẽ hẹn giờ bắt đầu rửa trong một giờ.
4	<b>Sấy khô tăng cường</b>	Để tăng cường sấy khô bát đĩa. <b>(Chỉ có thể được sử dụng với chế độ Rửa mạnh (P1), Rửa thông thường (P2), Rửa tiết kiệm ECO (P3), Rửa ly (P4), Rửa 90 phút (P5) ).</b> Nhấn nút này, đèn báo sẽ sáng.
5	<b>Khóa trẻ em</b>	Tùy chọn này cho phép bạn khóa các nút trên bảng điều khiển, vì vậy trẻ em không thể vô tình khởi động máy rửa bát đĩa bằng cách nhấn các nút trên bảng điều khiển. Chỉ có nút Nguồn vẫn hoạt động. Để khóa hoặc mở khóa các nút trên bảng điều khiển. Nhấn nút này trong 3 giây, đèn báo sẽ sáng.
6	<b>Bắt đầu/ Tạm dừng,</b>	Để bắt đầu hoặc tạm dừng chương trình rửa đã chọn khi máy rửa bát đĩa đang hoạt động.

# Display

<p><b>7 Đèn báo</b></p>	<p> <b>Trợ xả</b>          Nếu đèn báo  sáng lên, có nghĩa là máy rửa bát đĩa gần hết chất trợ xả và cần đổ thêm.</p> <p> <b>Muối</b>           Nếu đèn báo  sáng lên, có nghĩa là máy rửa bát đĩa gần hết lượng muối và cần phải đổ thêm.</p>
<p><b>8 Hiển thị thông tin</b></p>	<p> Để hiển thị thời gian nhắc và trạng thái (trạng thái chạy, thời gian hẹn giờ, mã lỗi, v.v.)</p> <p><b>Chương trình</b></p> <p> <b>Rửa mạnh (P1)</b>          Đối với đồ sành sứ bị bẩn nặng, và xoong, chảo, đĩa, v.v. bị bẩn thông thường. Với thức ăn bám trên đồ dùng đã bị khô kết.</p> <p> <b>Rửa thông thường (P2)</b>          Đối với các đồ dùng bị bẩn thông thường, chẳng hạn như nôi, đĩa, ly và chảo bẩn nhẹ.</p> <p><b>ECO Rửa tiết kiệm - ECO (P3)</b>          Đây là chương trình tiêu chuẩn, phù hợp để làm sạch đồ dùng bị bẩn thông thường và đây là chương trình hiệu quả nhất xét về tổng mức tiêu thụ năng lượng và nước đối với loại đồ dùng đó.</p> <p> <b>Rửa ly (P4)</b>          Đối với đồ sành sứ và thủy tinh bị bẩn nhẹ.</p> <p> <b>Rửa 90 phút (P5)</b>          Đối với đồ dùng thông thường cần rửa nhanh.</p> <p> <b>Rửa nhanh (P6)</b>          Thời gian rửa ngắn hơn đối với đồ dùng bẩn nhẹ không cần sấy khô.</p> <p> <b>Làm sạch máy rửa bát đĩa tự động (P7)</b>          Chương trình này giúp làm sạch hiệu quả máy rửa bát đĩa. Máy sẽ tự động chạy bộ sấy nhiệt, giữ hơi nóng luôn tươi mới trong suốt 72 giờ sau khi rửa bát đĩa, <b>(không áp dụng cho chương trình Rửa nhanh (P6) ).</b></p>



## Bộ làm mềm nước

Bộ làm mềm nước phải được thiết lập thủ công, sử dụng nút xoay độ cứng của nước. Bộ làm mềm nước được thiết kế để loại bỏ các khoáng chất và muối ra khỏi nước, vì chúng sẽ có tác động bất lợi đến hoạt động của thiết bị.

Càng có nhiều khoáng chất, nước của bạn càng cứng.

Bộ làm mềm nên được điều chỉnh theo độ cứng của nước trong khu vực của bạn.

Cơ quan cấp nước địa phương có thể tư vấn cho bạn về độ cứng của nước trong khu vực của bạn.

### Điều chỉnh tiêu thụ muối

Máy rửa bát đĩa được thiết kế để cho phép điều chỉnh lượng muối tiêu thụ dựa trên độ cứng của nước được sử dụng. Điều này nhằm mục đích tối ưu hóa và tùy chỉnh mức tiêu thụ muối.

Vui lòng làm theo các bước dưới đây để điều chỉnh lượng muối tiêu thụ.

1. Đóng cửa, bật thiết bị;
2. Trong vòng 60 giây sau khi bật thiết bị, nhấn nút Chương trình và giữ trong hơn 5 giây để bắt đầu chế độ cài đặt làm mềm nước;
3. Nhấn lại nút Chương trình để chọn cài đặt phù hợp theo môi trường địa phương của bạn, cài đặt sẽ thay đổi theo trình tự sau: H1->H2->H3->H4->H5->H6;
4. Nếu không có bất kỳ thao tác nào trong năm giây hoặc nhấn nút Nguồn để kết thúc chế độ cài đặt, cài đặt sẽ được chương trình ghi nhớ.

ĐỘ CỨNG CỦA NƯỚC		Cài đặt trên bộ làm mềm nước	Phân hiển thị kỹ thuật số	Quá trình tái tạo xảy ra sau mỗi chuổi chương trình <sup>3)</sup>
°dH <sup>1)</sup>	Mmol/l <sup>2)</sup>			
0-5	0-0.9	1	H1	Không tái tạo
6-11	1.0-2.0	2	H2	10
12-17	2.1-3.0	3	H3	5
18-22	3.1-4.0	4*	H4	3
23-34	4.1-6.1	5	H5	2
35-45	6.2-8.0	6	H6	1

**1)** Mức độ đo độ cứng của nước Đức

**2)** millimol, đơn vị quốc tế cho độ cứng của nước

**3)** Mỗi chu kỳ với hoạt động tái tạo tiêu thụ thêm 2,0 lit nước, mức tiêu thụ năng lượng tăng 0,02 kWh và chương trình kéo dài thêm 4 phút.

\* cài đặt gốc



**Vui lòng xem phần 3 "Nạp muối vào bộ làm mềm nước" của PHẦN I:  
Phiên bản chung, nếu máy rửa bát đĩa của bạn thiếu muối.**



#### **LƯU Ý:**

**Nếu model sản phẩm của bạn không có bộ làm mềm nước, bạn có thể bỏ qua phần Làm mềm nước**

Độ cứng của nước khác nhau tùy từng nơi. Nếu nước cứng được sử dụng trong máy rửa bát đĩa, cặn sẽ hình thành trên bát đĩa và đồ dùng.

**Thiết bị được trang bị bộ làm mềm đặc biệt sử dụng ngăn chứa muối được thiết kế đặc biệt để loại bỏ vôi và khoáng chất khỏi nước.**

## **Chuẩn bị và xếp bát đĩa vào máy**

- Nên mua đồ dùng được xác định là dùng được với máy rửa bát đĩa.
- Nên chọn chương trình có nhiệt độ thấp nhất có thể.
- Để tránh hư hỏng, không lấy ly và dao kéo ra khỏi máy rửa bát đĩa ngay sau khi chương trình kết thúc.

#### **Rửa dao kéo/bát đĩa**

##### **Các đồ không phù hợp**

- Dao kéo có tay cầm bằng gỗ, sừng hoặc xà cừ
- Đồ nhựa không chịu nhiệt
- Dao kéo cũ có các bộ phận được dán keo không chịu được nhiệt độ
- Các đồ dẹt dao kéo hoặc bát đĩa được dán kết dính
- Đồ bằng thiếc hoặc đồng
- Tinh thể thủy tinh
- Đồ sắt thép bị gỉ
- Đĩa gỗ
- Đồ làm từ sợi tổng hợp

##### **Các đồ nên hạn chế**

- Một số loại kính có thể bị xỉn màu sau nhiều lần rửa
- Các bộ phận bằng bạc và nhôm có xu hướng bạc màu trong quá trình rửa
- Hoa văn tráng men có thể phai màu nếu rửa máy thường xuyên

# Lời khuyên khi xếp bát đĩa vào máy

Cạo sạch lượng lớn thức ăn thừa. Làm mềm thức ăn dư bị cháy trong chảo. Không cần thiết phải rửa bát đĩa dưới vòi nước chảy.

Để máy rửa bát đĩa hoạt động tốt nhất, hãy làm theo các hướng dẫn sau đây.

## **(Các tính năng và hình thức của giá đỡ và giá dao kéo có thể thay đổi tùy theo model sản phẩm.)**

Đặt các đồ cần rửa vào máy rửa bát đĩa theo cách sau:

- Các đồ dùng như cốc, ly, nôi, chảo, v.v... nên úp xuống dưới.
- Đồ dùng cong, có rãnh nên xếp nghiêng để nước chảy ra ngoài.
- Tất cả đồ dùng cần xếp chồng lên nhau chắc chắn và không bị đổ.
- Tất cả đồ dùng được đặt sao cho các vòi phun có thể xoay tự do trong khi rửa.
- Xếp các đồ dùng rộng như cốc, ly, chảo, v.v. Với miệng hướng xuống dưới để nước không đọng lại trong ngăn chứa hoặc đáy sâu.
- Bát đĩa và các đồ dùng dao nĩa không được úp vào nhau hoặc chồng lên nhau.
- Để tránh hư hỏng, kính không được chạm vào nhau.
- Giá phía trên được thiết kế để đựng các loại bát đĩa dễ vỡ và nhẹ hơn như ly, cốc cà phê và trà.
- Dao có lưỡi dài được để ở vị trí thẳng đứng có thể gây nguy hiểm!
- Các loại dao kéo dài và sắc nhọn như dao khắc phải được đặt nằm ngang trong giá trên.
- Vui lòng không để máy rửa bát đĩa quá tải. Điều này rất quan trọng để có kết quả tốt và tiêu thụ năng lượng hợp lý.

### **LƯU Ý:**

Không nên rửa những đồ quá nhỏ trong máy rửa bát đĩa vì chúng có thể dễ dàng rơi ra khỏi giá.

### **Lấy bát đĩa ra ngoài**

Để tránh nước nhỏ giọt từ giá giỏ trên giá giỏ dưới, bạn nên lấy đồ ở giá giỏ dưới trước, sau đó là giá giỏ trên.

### **⚠ CẢNH BÁO**



**Các đồ dùng sẽ rất nóng!** Để tránh hư hỏng, không lấy ly và dao kéo ra khỏi máy rửa bát đĩa trong vòng 15 phút sau khi chương trình kết thúc.

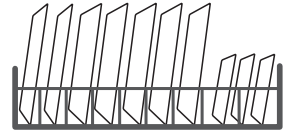
## Xếp giá giỏ trên

Giá trên được thiết kế để đựng các loại bát đĩa dễ vỡ và nhẹ hơn như ly, cốc cà phê và trà và đĩa, cũng như đĩa, bát nhỏ và chảo nông (không quá bản). Đặt bát đĩa và dụng cụ nấu sao cho chắc chắn, không bị lay động bởi tia nước.



## Xếp giá giỏ dưới

Bạn nên đặt các đồ dùng lớn và khó làm sạch vào giỏ dưới: chẳng hạn như nồi, chảo, nắp, đĩa và bát ăn, như thể hiện trong hình bên dưới. Nên đặt các đĩa phục vụ và nắp đậy ở bên cạnh giá đỡ để tránh cản trở chuyển động quay của cần phun phía trên. Đường kính tối đa được khuyến nghị cho các đĩa ở phía trước ngăn chất tẩy rửa là 19cm, điều này không cản trở việc mở nó.



## Xếp giá dao kéo

Dao kéo nên được đặt trong giá dao kéo riêng biệt với nhau ở những vị trí thích hợp. Tránh lồng dao kéo vào nhau để tránh ảnh hưởng hiệu suất làm sạch.

### ⚠ CẢNH BÁO



Không để bất đồ dùng nào chạm xuống phía dưới đáy của máy rửa chén.

Luôn xếp các dụng cụ sắc nhọn với đầu nhọn hướng xuống!



**Để đạt hiệu suất làm sạch tối ưu, vui lòng xếp đồ dùng vào giá theo mô tả ở phần I: Phiên bản chung**

## Chức năng của chất trợ xả và chất tẩy rửa

Chất trợ xả được xả ra trong lần tráng cuối cùng để ngăn nước hình thành giọt trên bát đĩa của bạn, có thể để lại vết. Chất này cũng hỗ trợ qua trình sấy khô bằng cách cho phép nước chảy ra khỏi bát đĩa. Máy rửa bát đĩa của bạn được thiết kế để sử dụng chất trợ xả dạng lỏng.

### ⚠ CẢNH BÁO

Chỉ sử dụng chất trợ xả có thương hiệu cho máy rửa bát đĩa. Không đổ bất kỳ chất nào khác vào ngăn chất trợ xả (ví dụ: chất tẩy rửa máy rửa bát đĩa, chất tẩy lỏng). Điều này sẽ làm hỏng thiết bị.

### Khi nào cần đổ đầy ngăn chất trợ xả

Mức độ đều đặn của bộ phận phối chất trợ xả cần được đổ đầy lại tùy thuộc vào tần suất các món ăn được rửa và sử dụng chế độ hỗ trợ xả.

- Đèn báo ít nước trợ xả (☼) sẽ sáng khi cần thêm nước trợ xả.
- Không đổ quá đầy hộp đựng nước trợ xả.

### Chức năng của chất tẩy rửa

Các thành phần hóa học tạo nên chất tẩy rửa giúp loại bỏ, chia nhỏ và đẩy tất cả chất bẩn ra khỏi máy rửa bát đĩa. Hầu hết các chất tẩy rửa chất lượng thương mại đều phù hợp cho mục đích này.

### ⚠ CẢNH BÁO

- Sử dụng chất tẩy rửa đúng cách

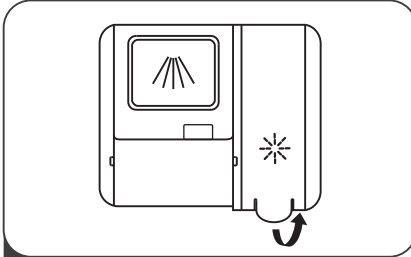
Chỉ sử dụng chất tẩy rửa chuyên dùng cho máy rửa bát đĩa. Giữ chất tẩy rửa của bạn sạch và khô.

**Không đổ chất tẩy rửa vào ngăn định lượng cho đến khi bạn sẵn sàng khởi động máy rửa bát đĩa.**

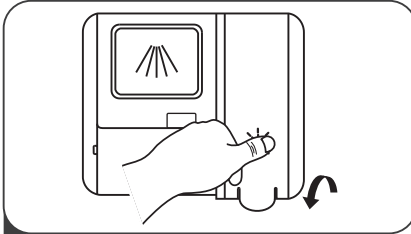


**Chất tẩy rửa máy rửa bát đĩa có tính ăn mòn! Giữ chất tẩy rửa máy rửa bát đĩa ngoài tầm với của trẻ em.**

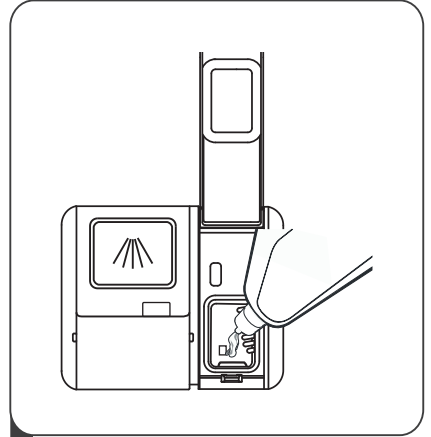
## Đổ đầy ngăn chất trợ xả



1 Tháo nắp ngăn trợ xả bằng cách nâng tay cầm lên



3 Đóng nắp ngăn trợ xả sau khi hoàn tất



2 Cẩn thận đổ chất trợ xả vào ngăn định lượng, đồng thời tránh để chất trợ xả tràn ra ngoài.

### ⚠ LƯU Ý:

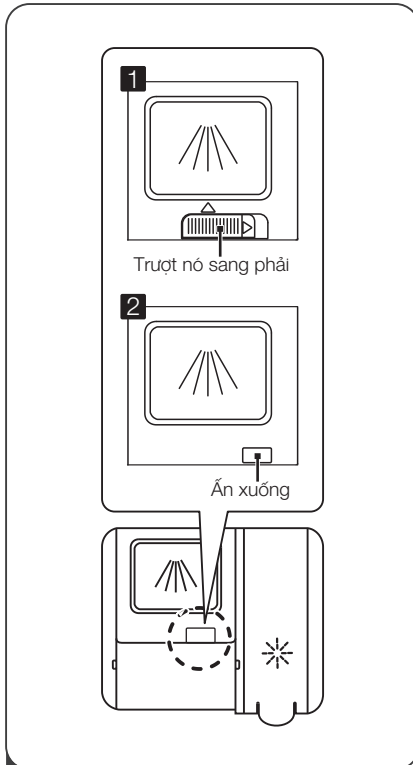
Lau sạch chất trợ xả nào bị tràn ra ngoài bằng vải thấm nước để tránh tạo bọt quá nhiều trong lần rửa tiếp theo.

## Điều chỉnh ngăn chứa nước trợ xả

Để đạt được hiệu suất làm khô tốt hơn với lượng chất trợ xả hạn chế, máy rửa chén được thiết kế để điều chỉnh mức tiêu thụ của người dùng. Thực hiện theo các bước dưới đây.

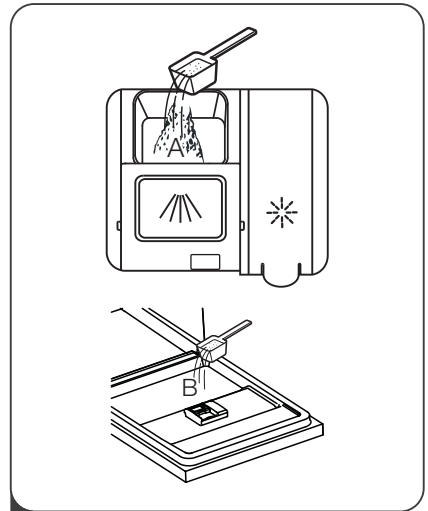
1. Bật máy rửa chén
2. Trong vòng 60 giây sau bước 1, nhấn nút Chương trình và giữ hơn 5 giây, và sau đó nhấn nút Trì hoãn (Delay) để vào kiểu máy đã đặt, chỉ báo chất trợ xả nhấp nháy ở tần số 1Hz.
3. Nhấn nút Chương trình để chọn cài đặt phù hợp theo thói quen sử dụng của bạn, các bộ sẽ thay đổi theo trình tự sau: d2->d3->d4->d5->d1->d2.  
Con số này càng cao, máy rửa chén càng sử dụng nhiều nước trợ xả.
4. Nếu không có bất kỳ tác động nào trong 5 giây hoặc nhấn nút Nguồn để thoát khỏi mô hình đã cài đặt, thiết lập cài đặt nước trợ xả đã thành công.

## • Đổ đầy ngăn chất tẩy rửa

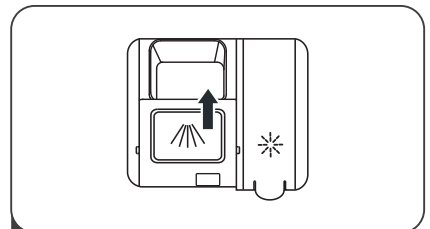


1 Vui lòng hãy chọn cách mở phù hợp như bên trên,

1. Mở nắp bằng cách trượt chốt nhả từ trái sang phải
2. Mở nắp bằng cách ấn nút xuống



- 2 Thêm chất tẩy rửa vào khoang lớn hơn (A) cho chu trình rửa chính. Để có kết quả làm sạch tốt hơn, đặc biệt nếu bạn có đồ rất bẩn, hãy đổ một ít một lượng chất tẩy rửa lên cửa (B)  
Bột giặt bổ sung sẽ kích hoạt trong giai đoạn rửa sơ bộ.



- 3 Đóng nắp bằng cách trượt nó vào phía trước và sau đó nhấn nó xuống

### 💡 LƯU Ý:

- Xin lưu ý rằng tùy thuộc vào độ bẩn của nước, cài đặt có thể khác nhau.
- Vui lòng tuân thủ các khuyến nghị của nhà sản xuất trên bao bì chất tẩy rửa.

# LỰA CHỌN CHƯƠNG TRÌNH

## Bảng chu trình rửa

Bảng dưới đây cho biết chương trình nào là tốt nhất đối với mức độ thức ăn thừa trên bát đĩa và lượng chất tẩy rửa cần thiết. Bảng này cũng cho biết nhiều thông tin khác về các chương trình. Giá trị tiêu thụ và thời lượng chương trình chỉ mang tính tham chiếu ngoại trừ chương trình ECO. Ký hiệu (●) chỉ ra rằng chương trình sử dụng chất trợ xả trong lần xả cuối cùng.

Chương trình	Mô tả Chu trình	Chất tẩy rửa Trước khi rửa/Lần rửa chính	Thời gian chạy (phút)	Năng lượng (kWh)	Nước (L)	Trợ rửa
<b>Rửa mạnh (P1)</b>  <b>Intensive</b>	Rửa qua (50°C) Rửa chính (50°C) Tráng Tráng Tráng (72°C) Sấy khô	4/23,5g	165	1,255	15	●
<b>Rửa thông thường (P2)</b>  <b>Universal</b>	Rửa qua (35°C) Rửa chính (60°C) Tráng (45°C) Tráng (60°C) Sấy khô	20g	60	0,700	9,9	●
<b>Rửa tiết kiệm – ECO (P3)</b>  <b>ECO</b> <small>(*EN50242)</small>	Rửa qua Rửa chính (45°C) Tráng Tráng (70°C) Sấy khô	4/23,5g	190	0,815	9,5	●
<b>Rửa ly (P4)</b>  <b>Glass</b>	Rửa chính (55°C) Tráng Tráng (60°C) Sấy khô	20g	100	0,675	7,4	●
<b>Rửa 90 phút (P5)</b>  <b>90 Min</b>	Rửa chính (65°C) Tráng Tráng Tráng (70°C) Sấy khô	27,5g	90	1,150	10,0	●
<b>Rửa nhanh (P6)</b>  <b>Rapid</b>	Rửa chính (55°C) Tráng Tráng (51°C)	20g	29	0,585	7,4	○
<b>Làm sạch máy rửa bát tự động (P7)</b>  <b>Self-cleaning</b>	Rửa chính (70°C) Tráng Tráng (65°C) Sấy khô	20g	110	0,830	9,8	●

## LƯU Ý:

**ECO (\*EN50242):** Chương trình này là chu trình thử nghiệm. Thông tin của thử nghiệm so sánh tuân theo tiêu chuẩn EN50242.



## Tiết kiệm năng lượng

1. Nếu bạn rửa trước bát đĩa sẽ dẫn đến tăng tiêu thụ nước và năng lượng và do đó không được khuyến khích.
2. Rửa bát đĩa bằng máy rửa bát gia đình thường tiêu tốn ít năng lượng và nước hơn so với rửa bát bằng tay nếu bạn làm theo hướng dẫn.

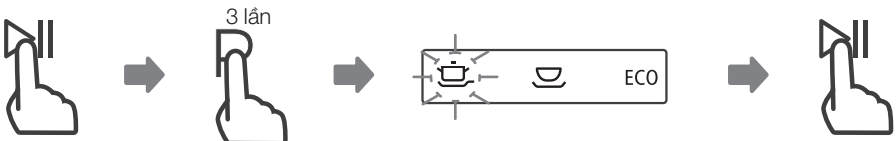
## Bắt đầu chương trình

1. Kéo giá dưới và trên ra, cho bát đĩa vào và đẩy giá trở lại vị trí như ban đầu. Nên xếp vào giá dưới trước rồi đến giá trên.
2. Đổ chất tẩy rửa vào.
3. Cắm phích cắm vào ổ cắm điện. Nguồn điện tham khảo được nêu ở trang cuối cùng **"Thông tin sản phẩm"**. Đảm bảo rằng nguồn cấp nước được bật ở áp suất tối đa.
4. Đóng cửa, nhấn nút Nguồn.
5. Chọn chương trình phù hợp, đèn phản hồi sẽ bật. Sau đó nhấn nút Bắt đầu/Tạm dừng, máy rửa bát sẽ bắt đầu chu trình.

## Thay đổi chương trình giữa chu kỳ

Chương trình chỉ có thể được thay đổi nếu mới chạy trong một khoảng thời gian ngắn, nếu không thì chất tẩy rửa có thể đã được xả hết hoặc nước rửa có chất tẩy rửa đã được xả hết. Trong trường hợp này, máy rửa bát đĩa cần được khởi động lại và phải đổ đầy lại ngăn chứa chất tẩy rửa. Để đặt lại máy rửa bát đĩa, hãy làm theo hướng dẫn bên dưới:

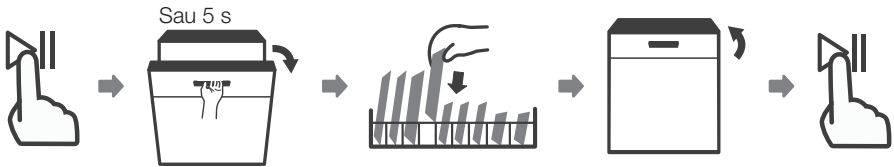
1. Nhấn nút Bắt đầu/Tạm dừng để tạm dừng quá trình rửa.
2. Nhấn và giữ nút Chương trình hơn ba giây, máy sẽ ở chế độ chọn chương trình.
3. Bạn có thể thay đổi chương trình thành cài đặt chương trình bạn mong muốn.
4. Nhấn nút Bắt đầu/Tạm dừng, máy rửa bát đĩa sẽ khởi động.



## • Trường hợp quên bát đĩa ở ngoài?

Bạn có thể thêm bát đĩa bị quên vào máy bất kỳ lúc nào trước khi ngăn chất tẩy rửa mở ra. Trong trường hợp này, hãy làm theo các hướng dẫn dưới đây:

1. Nhấn nút **Bắt đầu/Tạm dừng** để tạm dừng quá trình rửa.
2. Sau khi các ống phun ngừng hoạt động, bạn có thể mở cửa hoàn toàn.
3. Đưa bát đĩa bị quên ở ngoài vào.
4. Đóng cửa lại.
5. Nhấn nút **Bắt đầu/Tạm dừng**, máy rửa bát đĩa sẽ tiếp tục chạy sau 10 giây.



### **⚠ CẢNH BÁO**



**Sẽ rất nguy hiểm khi mở cửa giữa chu kỳ vì hơi nước nóng có thể gây bỏng.**

# MÃ LỖI

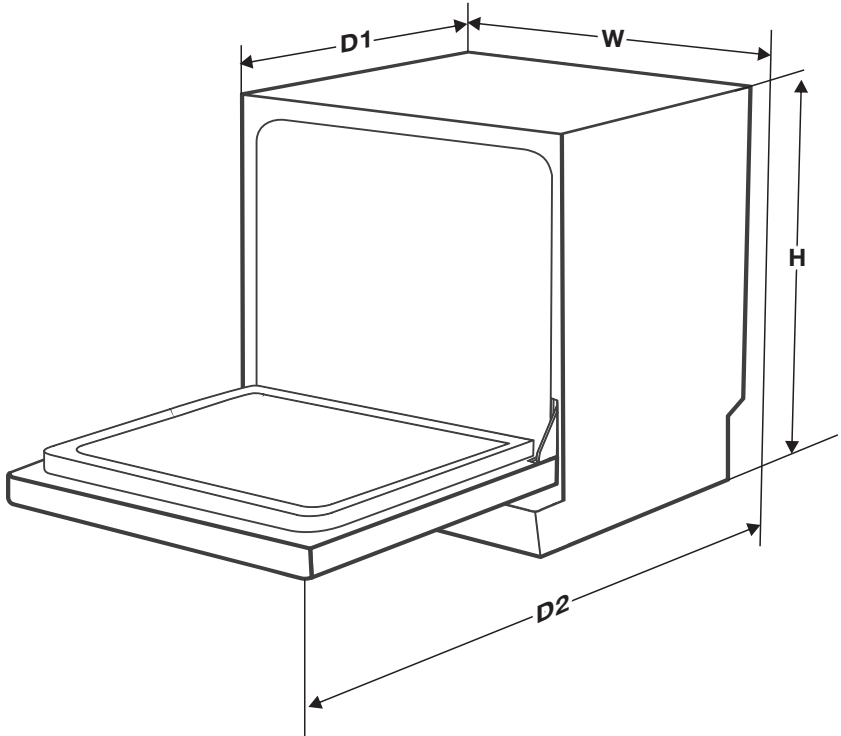
Nếu phát sinh lỗi, máy rửa bát đĩa sẽ hiển thị mã lỗi. Bảng sau đây cho biết các mã lỗi có thể xảy ra và nguyên nhân.

Mã	Ý nghĩa	Nguyên nhân có thể
E1	Thời gian đầu vào lâu hơn.	Vòi không mở, hoặc lượng nước bị hạn chế, hoặc áp suất nước quá thấp.
E3	Không đạt nhiệt độ yêu cầu.	Trục trục của bộ phận gia nhiệt.
E4	Tràn.	Máy rửa bát đĩa có bộ phận rò rỉ.
Ed	Lỗi giao tiếp giữa bo mạch chính với bo mạch hiển thị.	Hở mạch hoặc đứt dây nối

## ⚠ CẢNH BÁO

- Nếu xảy ra tràn nước, hãy tắt nguồn cấp nước chính trước khi gọi kỹ thuật.
- Nếu có nước trong khay đế do đổ đầy hoặc rò rỉ nhỏ, phải xả nước trước khi khởi động lại máy rửa bát đĩa.
- Nếu có mã lỗi không khắc phục được, vui lòng gọi kỹ thuật để được hỗ trợ.

# THÔNG TIN KỸ THUẬT



<b>Chiều cao (H)</b>	590mm
<b>Chiều rộng (W)</b>	550mm
<b>Chiều sâu (D1)</b>	500mm (khi cửa đóng)
<b>Chiều sâu (D2)</b>	964mm (khi cửa mở 90°)

## Thông tin sản phẩm (EN50242)

Tờ thông tin máy rửa bát đĩa gia đình theo Chỉ thị EU 1016/2010 & 1059/2010:

<b>Nhà sản xuất</b>	HAFELE
Model sản phẩm Hafele	HDW-T5551B
Cài đặt tiêu chuẩn	10
Xếp loại Hiệu suất năng lượng <sup>1</sup>	A+
Mức năng lượng tiêu thụ hàng năm <sup>2</sup>	206 kWh
Mức tiêu thụ năng lượng của chu trình làm sạch tiêu chuẩn	0,815 kWh
Mức tiêu thụ điện ở chế độ tắt	0,45 W
Mức tiêu thụ điện ở chế độ chờ	0,49W
Lượng nước tiêu thụ hàng năm <sup>3</sup>	2660 lít
Xếp loại Hiệu suất sấy khô <sup>4</sup>	A
Chu kỳ làm sạch tiêu chuẩn <sup>5</sup>	ECO 45°C
Thời lượng chương trình của chu trình làm sạch tiêu chuẩn	190 phút
Độ ồn	49 dB(A)
Phương thức lắp đặt	Lắp độc lập
Khả năng lắp đặt âm tủ	Có
Công suất tiêu thụ	1380-1620W
Điện áp/tần số định mức	220-240V/50Hz
Áp lực nước (áp lực dòng chảy)	0,04-1,0MPa=0,4-10 bar

### CHÚ Ý

- 1** A + + + (hiệu quả cao nhất) đến D (hiệu quả thấp nhất)
- 2** Mức tiêu thụ năng lượng dựa trên 280 chu trình làm sạch tiêu chuẩn sử dụng nước lạnh và mức tiêu thụ của các chế độ năng lượng thấp. Mức tiêu thụ năng lượng thực tế sẽ phụ thuộc vào cách sử dụng thiết bị.
- 3** Tiêu thụ nước dựa trên 280 chu kỳ làm sạch tiêu chuẩn. Lượng nước tiêu thụ thực tế sẽ phụ thuộc vào cách sử dụng thiết bị.
- 4** A (hiệu quả cao nhất) đến G (hiệu quả thấp nhất)
- 5** Chương trình này phù hợp để làm sạch bát đĩa thông thường và đây là chương trình hiệu quả nhất xét về mức tiêu thụ năng lượng và nước kết hợp cho bát đĩa thông thường.

**HÄFELE**

Häfele VN LLC.

Phone: (+84 28) 39 113 113

Email: [info@hafele.com.vn](mailto:info@hafele.com.vn)

