

HÄFELE

Installation guide



ER5000



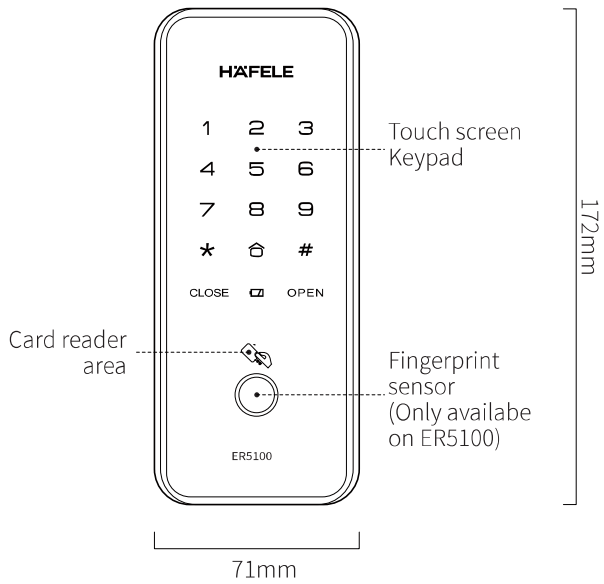
ER5100

www.hafele.com

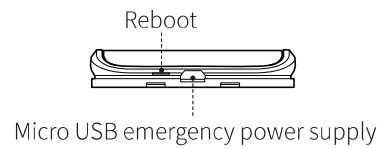
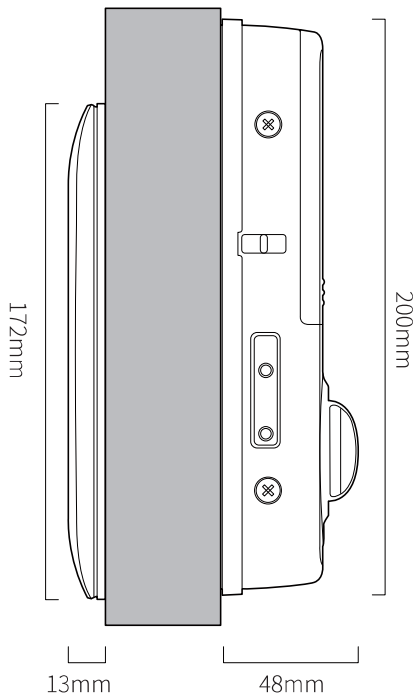
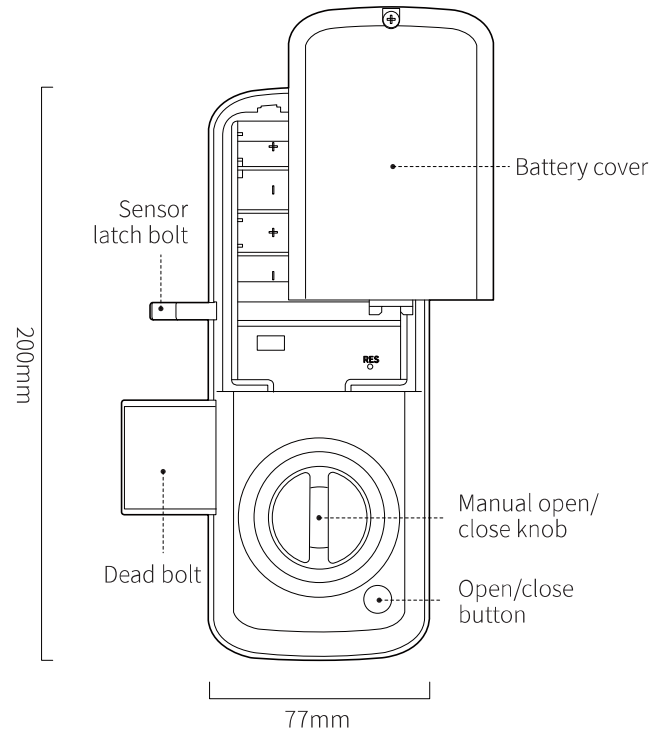
* The contents of this user manual are subject to change without prior notice to the user in order to enhance performance of the products.

Specifications

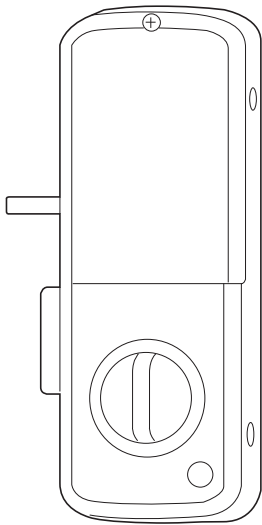
outside panel



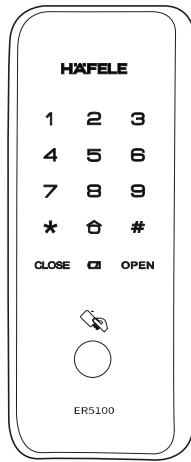
inside panel



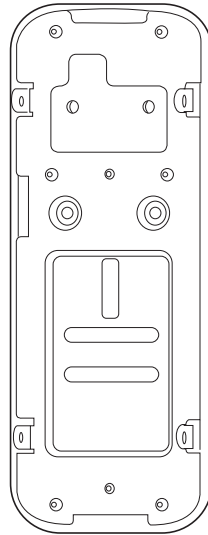
Components



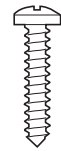
X1
Inside Panel



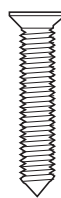
X1
Outside Panel



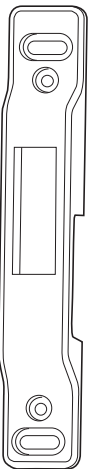
X1
Inside Mounting Plate



X6
Wood Combination Screws
ST4 X 20mm



X6
Flat Head Screws M5 X 30mm
(Door thickness 30~40mm)



X1
Strike



X1
Strike Plates (5mm)



X2
Strike Plates (2.5mm)



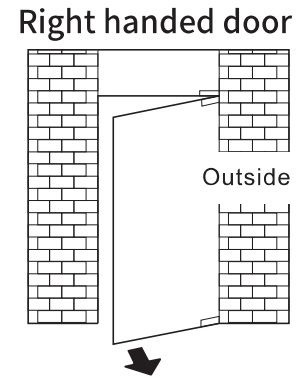
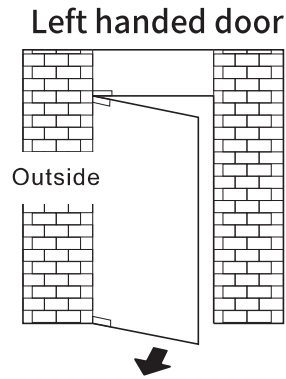
X4
Mounting Screws
M4 X 6mm



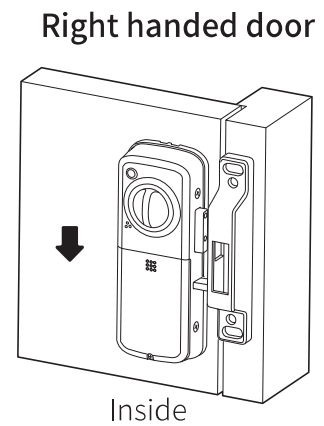
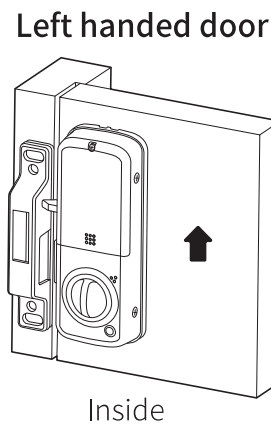
X3
Flat Head Screws M5 X 40mm
(Door thickness 40~50mm)

Preparing for Installation

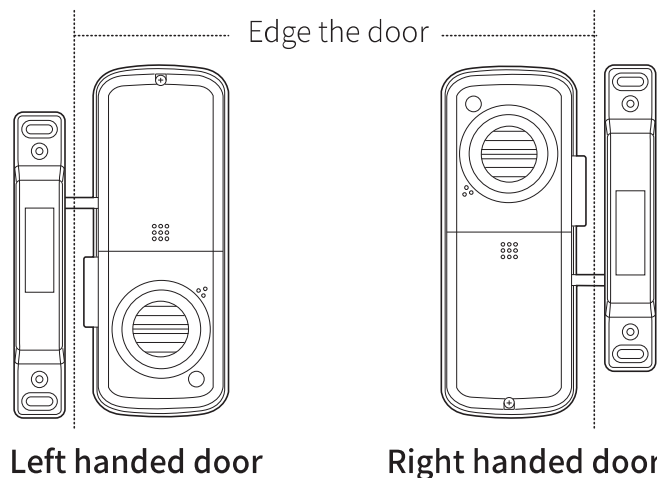
1. Check whether the door is left handed or right handed before installation.



2. Confirm inside panel installation direction.

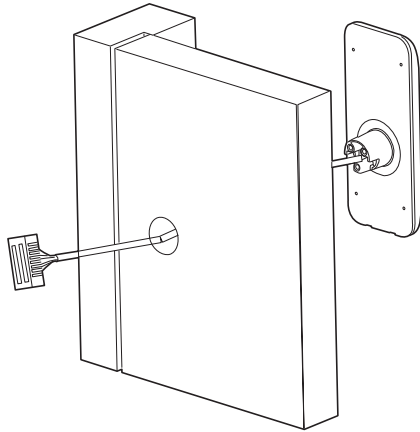


3. Based on door type and direction, match and hold installation template on door tightly and drill a hole on door.



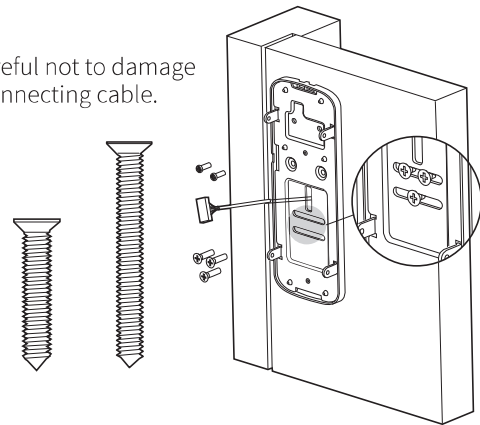
Installation

1. Get the front panel cable through the drill hole on the door.

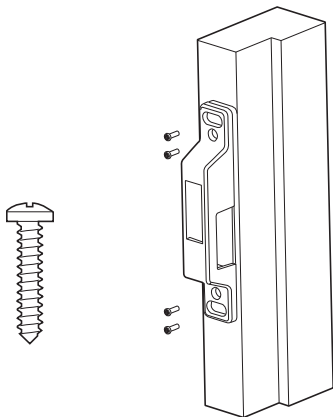


2. Get the outside panel cable through the inside panel bracket and fix screws from inside of the door.

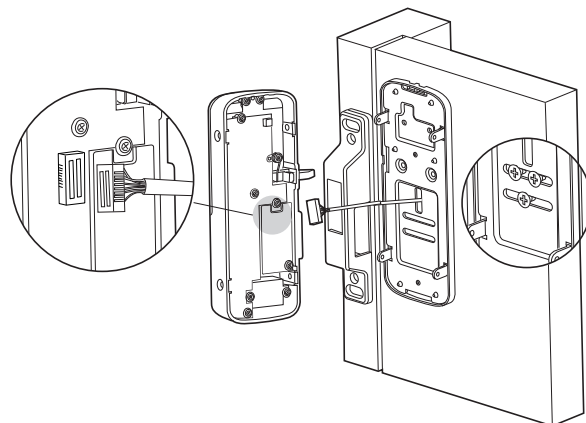
Be careful not to damage the connecting cable.



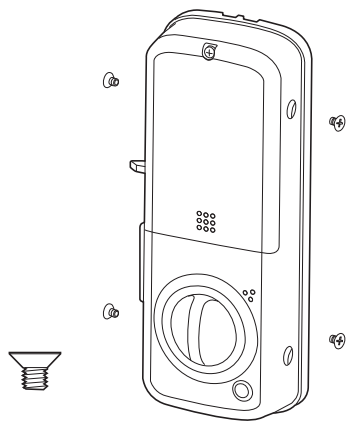
3. Depending on installation condition, fix proper position of striker with screws.



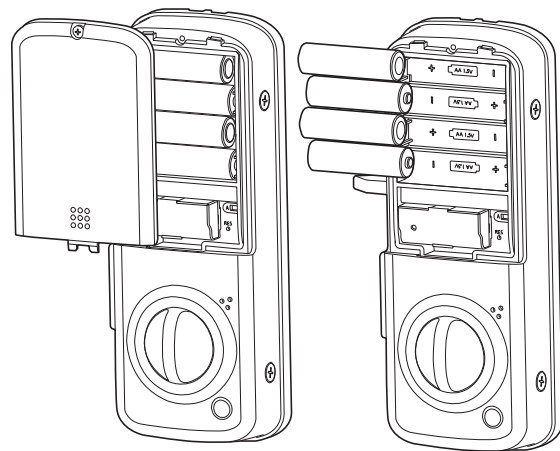
4. Get the outside panel cable connected to inside panel.

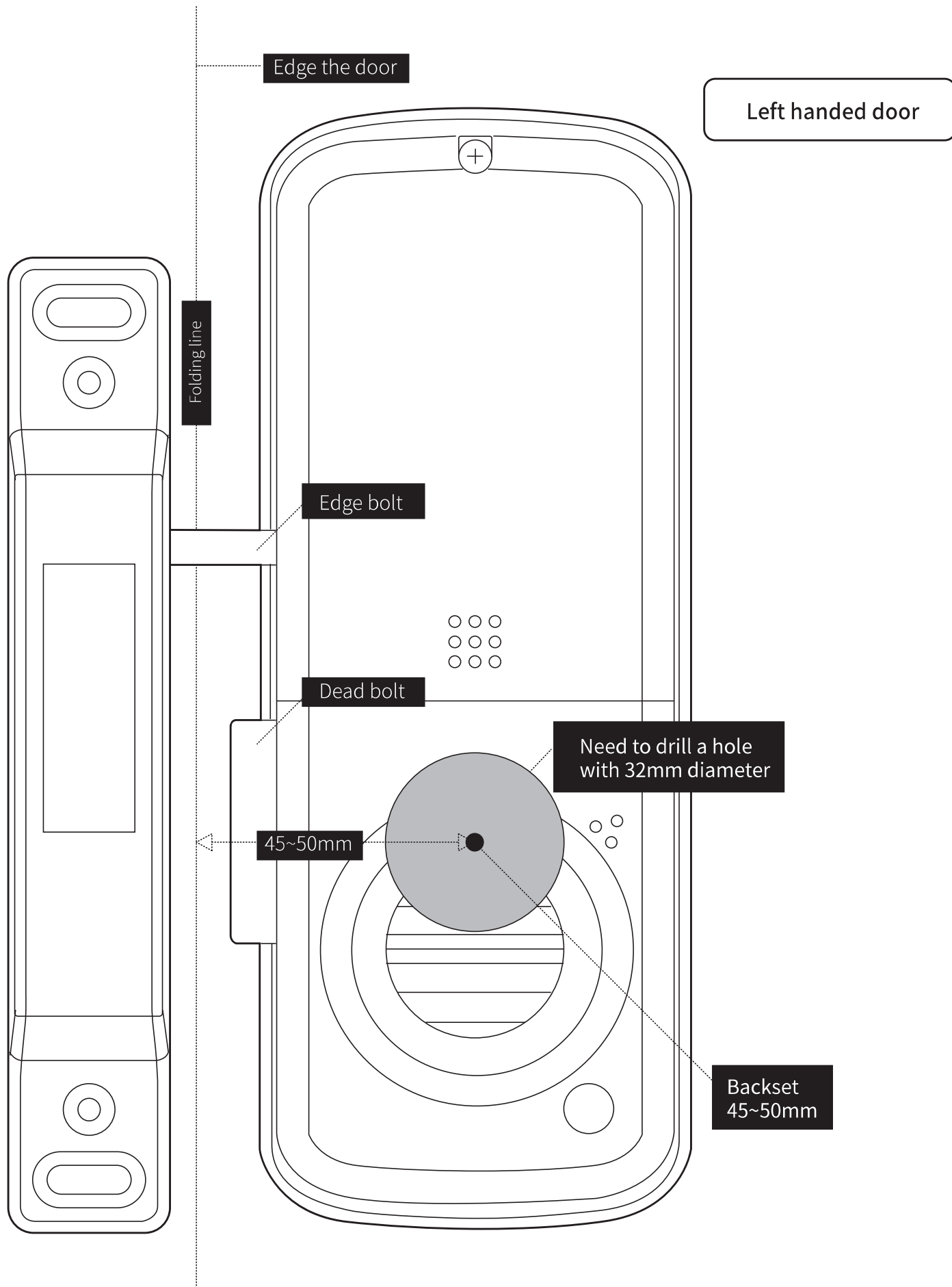


5. Get the inside panel on the bracket and fix screws.



6. Fix battery cover screws after insert 4ea batteries and test functions.





Right handed door

Edge the door

Backset
45~50mm

Need to drill a hole
with 32mm diameter

45~50mm

Dead bolt

Edge bolt

Folding line

