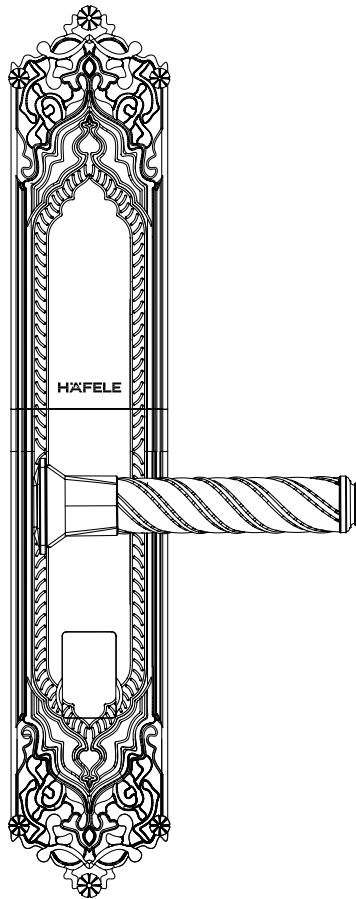




Digital door lock
Model EL10K



EL10K Installation guide & User manual

CONTENTS

Read before using	3
How to install	10
Lock operation	14
How to use	19
FAQ	21

Read before using

Product features



Four way solution

Fingerprint, password, key card, and mechanical key.



Master/ User Fingerprint, Master/ User Password and Master/ User Key card identification

3 master fingerprints, up to 97 user fingerprints.



3 master passwords, up to 47 user passwords.



3 master key cards, up to 47 user key cards.



Anti-spy coding function

The random number can be added before or after the real user password but the maximum length is 16 digits. This feature will prevent the real user password from being exposed.



Privacy function (Back-lock function)

When the privacy (back-lock) function is activated, the door cannot be opened from outside with user fingerprint, password or key card except with master identification and / or mechanical key.



Dismantle alert function

When the exterior trim is dismantled by force, the lock is suspended 60 seconds with alarm.



Prevent mischief and hacking

Under single verification, when entering 6 times a wrong identification by password or key card, or 12 times by fingerprint, the lock is suspended 300 seconds with warning alarm sound 10 seconds long. After that the lock will activate again. While the lock is suspended, the lock is able to be unlocked by mechanical key only.

Under double verification, when entering 6 times a wrong identification by fingerprint, password or key card, the lock is suspended 300 seconds with warning alarm sound 10 seconds long.

After that the lock will activate again. While the lock is suspended, the lock is able to be unlocked by mechanical key only.

Any correct identification opens the door or master enter menu setting successfully before the alarm activate, all error times will clear zero.

Read before using

Product features



Alarm for battery replacement time

When the power of battery is too low a warning signal will appear on the screen.
Please replace all batteries immediately



Anti-panic function

The lockset can be unlock from inside with simple action of pressing down the handle.
Even privacy function is activated or battery is dead, people can escape easily in the emergency such as fire etc.



Passage function

When passage function is activated, the door can be opened from outside without any identification.



Double verification function

For double security purpose, user should input two verification information to unlock under this function

Read before using



Warnings

- Read and understand all instructions before use.
- If damage is caused by failure to follow this instructions, the warranty does not apply.
- Only use the alkaline batteries.
- Do not expose the product and accessories to rain or water.
- Do not expose the product to corrosive substances to avoid damage to the protective cover.
- Do not scrape the fingerprint sensor with any sharp objects, otherwise it may cause permanent damage.
- When cleaning the product, please wipe with a soft cloth.
- If there is a low battery alert, please replace all the batteries in time and make sure they are properly installed.



Capacity of unlock way and master/user code

Solution	Capacity	Master Code	User Code	Tem.User Code
Fingerprint	3 master, 97 user	F001-F003	F004-F100	N/A
Password	3 master, 47 user, 1 temporary user, 1 single password	P001-P003	P004-P050	Temporary user: P052 Single password: P053
Card	3 master, 47 user	C001-C003	C004-C050	N/A
Mechanical key	2	N/A	N/A	N/A

Read before using

✓ Factory default settings

Settings	Factory defaults
Master identification	Any fingerprint, any password and any key card
Opening mode setting	Single Verification
Dismantle alert	Turned on
Speaker	Enabled
Wrong identification entry limit	6 times for password 6 times for key card 12 times for fingerprint
System language	English

***Importance: First step is to set your own master identification after installation of lock.**

✓ How to access to menu setting

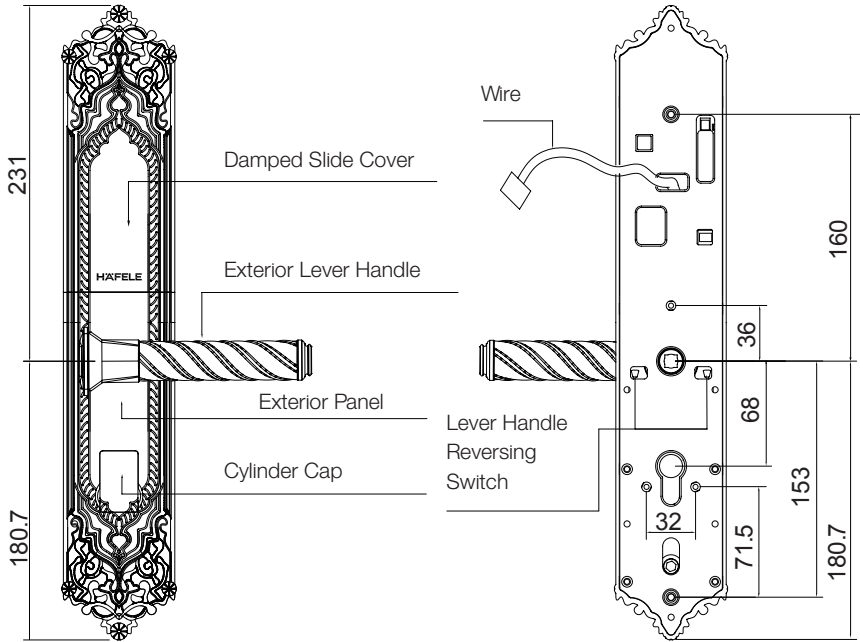
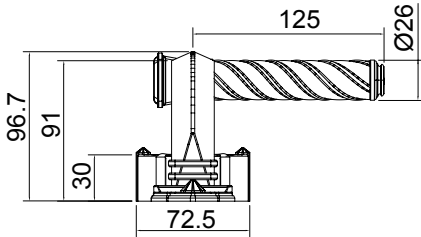
1. Pull up the slide cover or touch the keypad to activate lock.
2. Press “C”
3. Enter master fingerprint/password/key card

⚠ CAUTION

1. You can follow menu setting shown in display screen to complete the setting.
2. Default master identification is any fingerprint, any password or any key card, please modify it after installation.
3. After access into menu setting, input key “5” for rolling up, “8” for rolling down.
“↵” is enter key and “C” is return/escape key.

Read before using

Product specification - exterior trim



Front of Exterior Trim

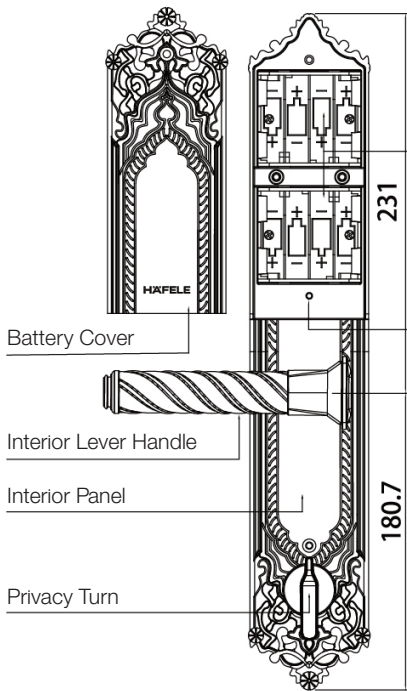
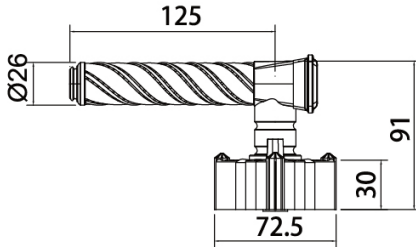
Back of Exterior Trim

Remark:

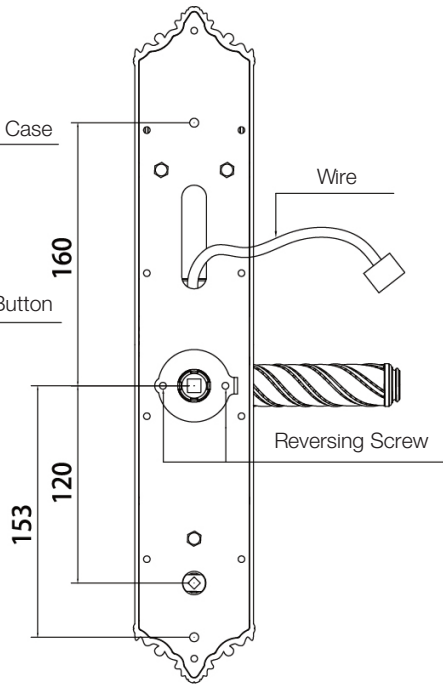
- 1.The overall dimension above is not including silicon pad.
- 2.The information above is for specific model. Please confirm the purchased product model and its configuration.

Read before using

✓ Product specification - exterior trim



Front of Interior Trim



Back of Interior Trim

Read before using



Product features

No.	Items	Sub-items	Specification
1	Unlock way	Fingerprint	Capacity: 3 masters + 97 users
2		Password	Capacity: 3 masters + 47 users
3		Card	Capacity: 3 masters + 47 users
4		Mechanical Key	2 Keys
5	Power Supply	Working Voltage	4 pieces of 1.5V AA alkaline battery
6		Battery life	Over 2,000 times under normal usage
7		Low Voltage alarm	$\leq 4.8V$
8		Bank-up power supply	5V Micro-USB
9	Power Consumption	Quiescent current	$\leq 60\mu A$
10		Dynamic current	$\leq 600mA$
11	Fingerprint sensor	Scanning area	12mm x 12mm
12		Resolution	508dpi
13		Responding speed	< 0.5 second
14		Working temperature	$-25^{\circ}C - 70^{\circ}C$
15		Relative humidity	20%-95%
16		FRR	$\leq 0.1\%$
17		FAR	$\leq 0.001\%$
18		Fingerprint sensor	Semi-conductor
19		Comparis on mode	1:N
20		Anti-static ability	\leq air 15KV/ contact 8KV
21	Accessibility	Unlock record	50 pieces

How to install

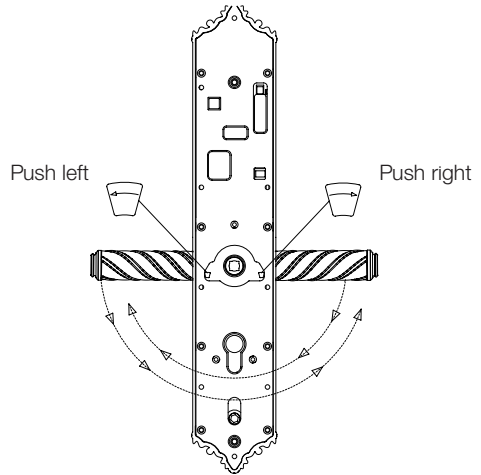


Reverse lever handle

Reverse exterior lever handle

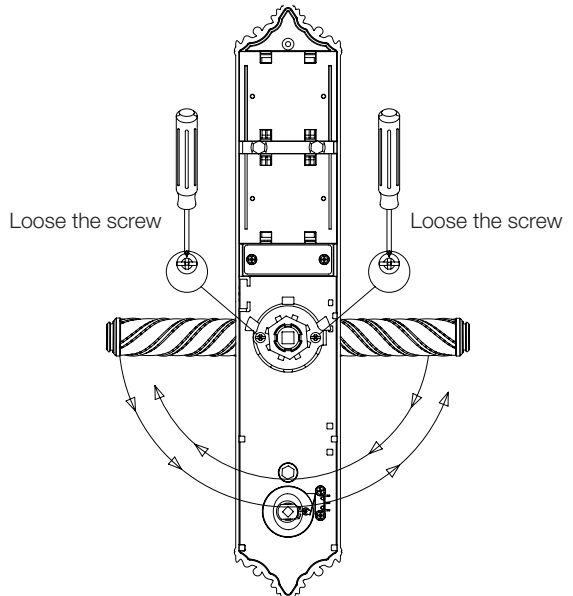
(Note: make sure the lock is locked before reversing the lever handle. If you are not sure whether it is locked, please confirm by electrify the lock and pull out the mechanical key.)

There are two reversing switch on the back of exterior plate. When you want to revise the lever handle to the other side, push the reversing switch that on the same side of the lever handle outward, and then turn the lever handle 180° from downward at the same time. Release the reversing switch and the reversing process of exterior lever handle is done!



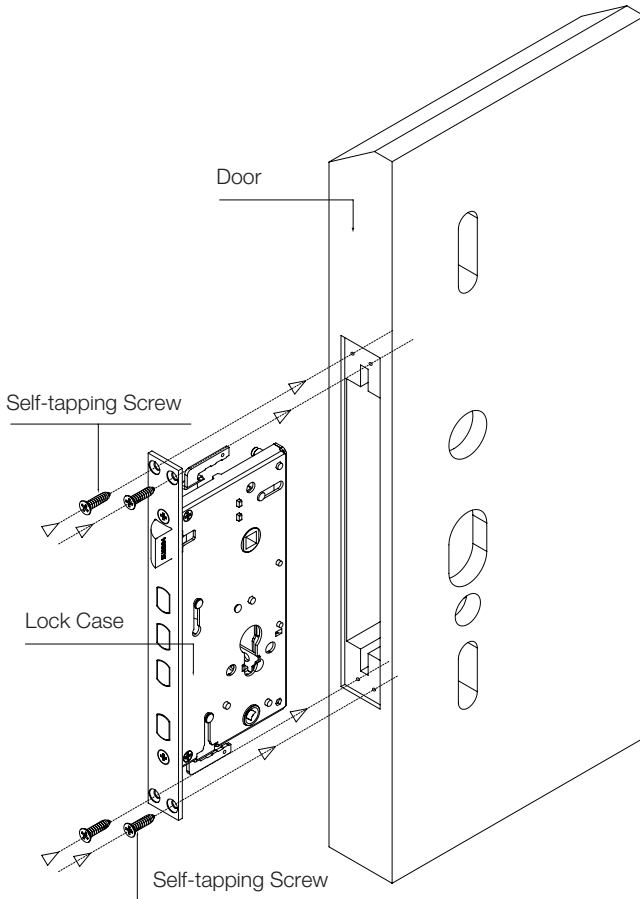
Reverse interior lever handle

1. Loosen the two screws on the clamp.
2. Turn the lever handle 180° from downward.
3. Put back the two screws and fasten them. The reversing process of interior lever handle is done!



How to install

✓ Install lock case



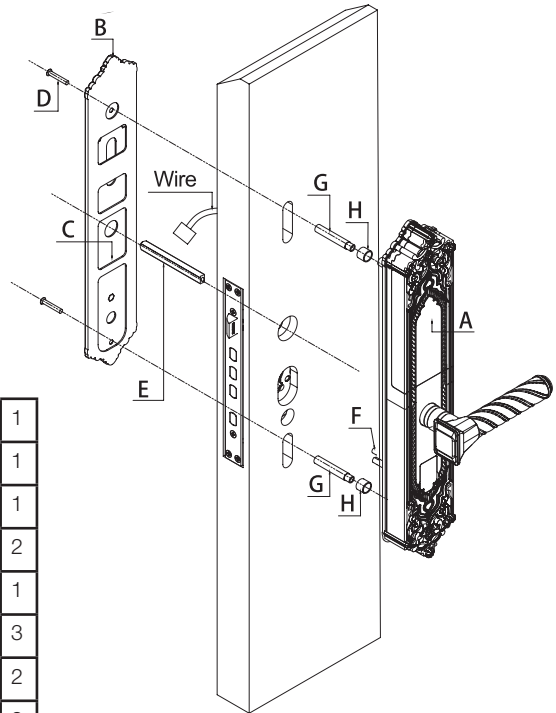
Installation of lock case

1. Insert the lock case into the pre-drilled hole on door side. Make sure the latch should be upward.
2. Fix the lock case by 4 pieces of self-tapping screw provided.

How to install



Install exterior trim



A	Exterior Trim	1
B	Silicon Pad	1
C	Back Baseplate	1
D	M5X45 Philip's Flat Head Screw	2
E	8X8X130 Spindle	1
F	22 Stud	3
G	Connecting Stud	2
H	Anti-cut Sleeve	2

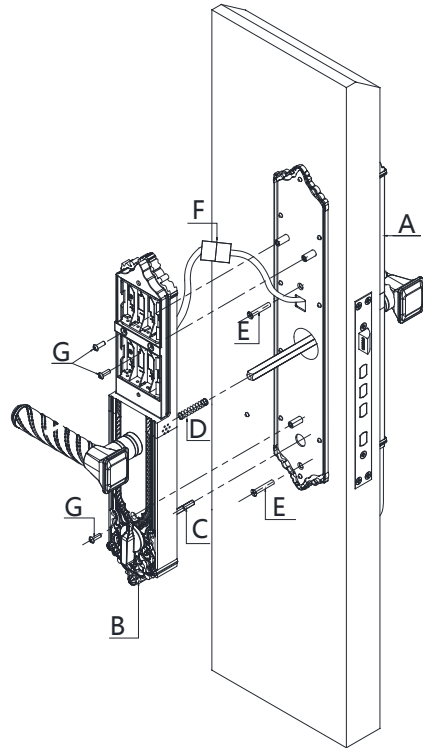
Installation of exterior trim

1. Cover the anti-cut sleeve onto one-side of connecting stud and screw it on the front baseplate.
2. Fix M6X12 Flat End Screw into the M6 screw hole on the bottom of handle, and then screw 26 stud on it.
3. Fix 3 pieces of 22 stud on the front baseplate (for locating the lock case).
4. Put the wire through the hole on the door panel to the other side.
5. Put the exterior trim on the door panel (refer to the diagram above), and then insert the 8X8 spindle through the cam of lock case into the square hole on the clutch of the exterior panel from the other side of door panel.
6. Cover the back baseplate by silicon pad and put it on the other side of door panel, and then use M5X45 Philip's flat head screw to fix it with the exterior trim.

How to install



Install exterior trim



A	Exterior Trim	1
B	Interior Trim	1
C	Spindle for Privacy Turn	1
D	Spring for 8X8 Spindle	1
E	M5X95 Philip's Flat Head Screw	2
F	Wiring Port	
G	M4X15 Philip's Round Head Screw	3

Installation of interior trim

1. Connect the wiring port on both-side trim.
2. Insert the spring for 8X8 spindle in the square hole of interior lever handle. Put the interior trim on the door panel to cover the back baseplate. Make sure the 8X8 spindle is inserted into the square hole of the interior lever handle; and the small spindle for privacy turn is inserted into the small square hole on the lock case.
3. Fix the interior trim by 3 pieces of M4X15 Philip's Round Head Screw.

Lock operation



Menu table

Fingerprint (FP)	<ol style="list-style-type: none">1. Add master2. Add user3. Del. single user*4. Del. all user*
Password (PW)	<ol style="list-style-type: none">1. Add master user2. Add user3. Del. single user*4. Del. all user*
Card	<ol style="list-style-type: none">1. Add master user2. Add user3. Del. single user*4. Del. all user*
System setting	<ol style="list-style-type: none">1. Initialization2. Turn on voice3. Turn off voice4. Time setting*5. Temporary user*
Verify setting*	Single verify FP&FP verify FP&PW verify PW&card verify FP&card verify
Dismantle alert	Turn on Turn off
System query	Unlock record* Storage status Version

* Please see in explanation for advance setting

Lock operation



Explanation for advance setting

Delete single user



CAUTION

In order to prevent misoperation, when there is only one master identification left (e.g. master's fingerprint), the operation of deleting single user in fingerprint setting will be failed. It is the same for other type of master identification (such as master's password or master's card). The last master identification is able to delete by initializing the lockset.

Delete all user



CAUTION

In order to prevent misoperation, when there is only one type of master identification left (e.g. one master's fingerprint), the operation of deleting all users in the fingerprint setting will be failed. There must be at least one other type of master identification (such as master's password or master's card) to delete all fingerprint users. It is the same to delete all user in password and card setting.

Time setting

1. Enter the menu by master's fingerprint/password/card.
2. Select "Time Setting" in the "System Setting" menu.
3. Input date, time and weekday to set time of system



CAUTION

Weekday can input 1-7 for Monday - Sunday respectively.

Lock operation



Explanation for advance setting

Temporary user setting

1. Enter the menu by master's fingerprint/password/card.
2. Select "Temporary User" in the "System Setting" menu.
3. Select "Add Temp. User" and input password for the temporary user.
4. Return to "Temporary User" menu, and then select "Date Setting" to set the start date and end date that allow the temporary user to unlock by password

(Noted: the start date and the end date cannot be set on the same day. e.g. if you want the temporary user can be unlock by password on Feb. 20th only, you should set the start date on Feb. 20th and end date on Feb. 21st. The temporary user will not be able to unlock the door by password after 00:00 a.m., Feb. 21st.)

5. Return to "Temporary User" menu, and then select "Time Range 1" to set the start time and end time that allow the temporary user to unlock by password. There are 3 time ranges and at least one of them should be set for the temporary user's password to take effect. If you set all of the time ranges with different time period, the temporary user can unlock by password at the setting time period on each day of set date.

The format of the time range is 00:00 to 23:59.

e.g. start time: 00:00

end time: 23:59

6. Return to "Temporary User" menu, and then select "Week Setting". Follow below instruction to complete the week setting:

A. Input number "0" or "1".

B. "0" means invalid date, "1" means valid date

C. Input 7 digits ("0" or "1" to stand for availability from Monday to Sunday. The 1st digit stands for Monday, the 2nd digit stands for Tuesday and so on.

e.g. If the week setting is "0111110", which means the temporary user cannot unlock the lockset on the whole day of Monday and Sunday, but he/she can unlock the lockset at the setting time from Tuesday to Saturday.



CAUTION

The temporary user is setup after complete above 6 steps strictly.

Lock operation



Explanation for advance setting

Single password setting

1. Enter the menu by master's fingerprint/password/card.
2. Select "Temporary User" in the "System Setting" menu.
3. Select "Add a Single PW" and input password.



CAUTION

Single password is a one-time password. It will be invalid after it is input to unlock the lockset once.

Delete temporary user

1. Enter the menu by master's fingerprint/password/card.
2. Select "Temporary User" in the "System Setting" menu.
3. Select "Del. Temp. User" to delete the password of temporary user.



CAUTION

If single password is set. Delete temporary user's password will delete both of temporary user's password and single password at the same time.

Verify setting

1. Enter the menu by master's fingerprint/password/card.
2. Select "verify setting" in the "System Setting" menu.
3. Select any verification mode.



CAUTION

Double verify modes (FP&FP verify/FP&PW verify/PW&card verify/FP&card verify) are only available for user. Master is always access the door by one time verification.

Unlock record



CAUTION

The lock system keeps the latest 50 unlock records. After more than 50 unlock records, the old records are automatically overwritten by the new records.

Lock operation

✓ Explanation for advance setting

Passage mode setting

Turn on passage mode:

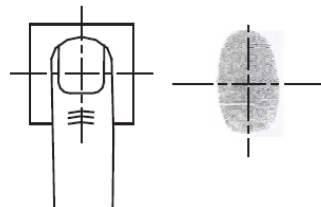
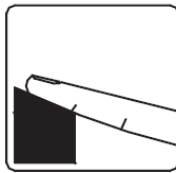
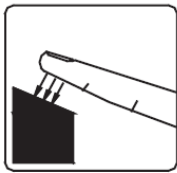
1. Unlock by enter master's or user's fingerprint/password/card.
2. After door open, long press key "0" till display screen shown "Passage On".

Turn off passage mode:

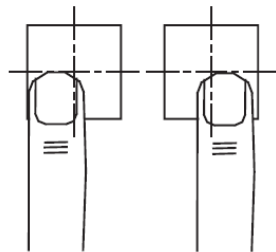
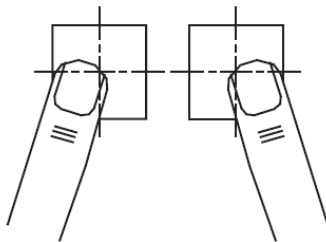
1. Unlock by enter master's or user's fingerprint/password/card.
2. After door open, press key " C " till display screen shown "Passage Off".

✓ How to input fingerprint

Correct way to input fingerprint (the operation for each fingerprint verification should be consist with your first time to add the fingerprint).



Incorrect way to input fingerprint



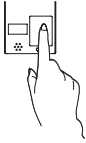
How to use



Open & lock the door

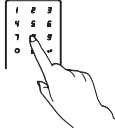
How to open the door from outside

Fingerprint



1. Place the enrolled finger properly on the fingerprint sensor area.
2. Press down handle to open the door.

Password



1. Pull up the slide cover to lighten keypad.
2. Enter the enrolled password with end of "rod".
3. Press down handle to open the door.

Card



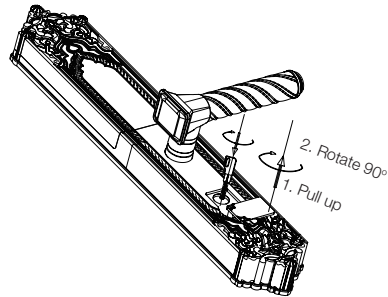
1. Place the enrolled card properly on the card icon area
2. Press down handle to open the door.

Random security coding function

The random number can be added before or after the real user password but the maximum length is 16 digits. This feature will prevent the real user password from being exposed.

Usage of Mechanical Key

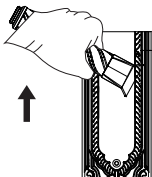
1. Pull up the cylinder cap and then rotate it 90° to either side.
2. Insert the key into the key hole and turn it with proper angle, and then press down the handle to open the door.



CAUTION

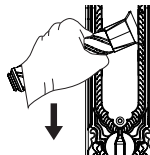
1. Do not press down the handle while rotating the mechanical key. Always rotating the mechanical key first, then press down the handle to open the door
2. When privacy is turned on, it can be unlocked by inputting verification information of master only.

How to lock the door



Pull up exterior or interior handle to let the dead bolts come out.

How to open the door from inside



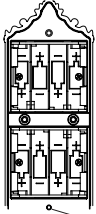
Press down interior handle to open the door.

How to use



Service features

Restore to factory default settings



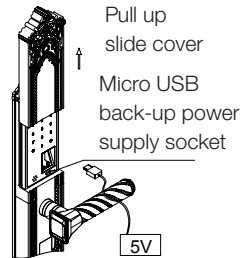
Reset button

Operation instructions

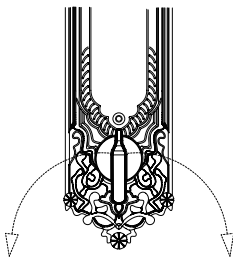
1. Open battery cover and find the reset button.
2. The reset button and keep pressing “ ← ” on touch key pad to reset the system.
3. After that all user data and settings will be deleted.

Emergency power supply

When the battery is too low or completely dead and the lock cannot be opened from outside by inputting master/user identification, connect a 5V power supply via micro USB port at the front. Then unlock the door with master/user identification and replace all batteries immediately.



Privacy mode



For right-hand open For left-hand open

When door is closed, rotate the thumb-turn to turn on privacy mode.

When the privacy is turned on, only master identifications can open the door from outside. User identifications and mechanical key is prohibited.



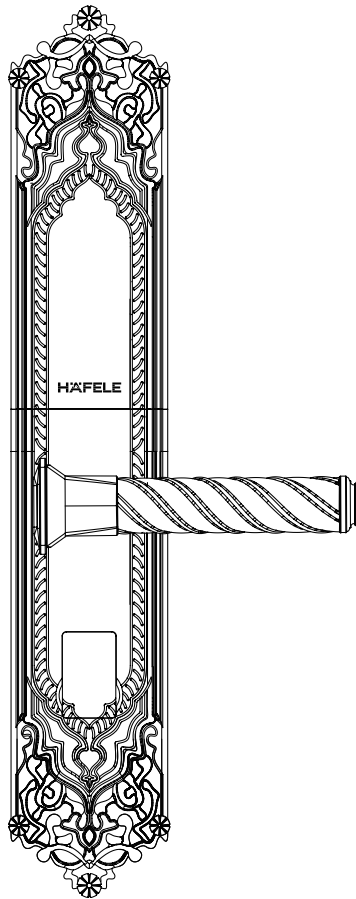
Common faults and exclusion

Fault Phenomenon	Possibility Failure Analysis	Solution
The fingerprint is added successfully, but it is often reported “wrong finger” when using the fingerprint to unlock the door or enter the system menu.	The fingerprint imaging quality is too low, the scratch-proof film of fingerprint sensor is not turn off, or the finger is too wet.	<ol style="list-style-type: none"> 1) Tear off the scratch-proof film from fingerprint sensor. 2) Add a few users with different angle on the same finger. 3) Dry your finger and add the fingerprint again.
There is alarm and OLED screen prompt “low battery” when unlock the lockset.	The power has almost run down after long period of usage.	Please replace the battery in time.
There is no light on the fingerprint sensor.	The power might be too low to have the fingerprint sensor worked normally.	<ol style="list-style-type: none"> 1) Battery low, please replace the battery immediately. 2) If the OLED screen is lighted, use password to open the door. 3) Please use mechanical key to open the door.
The door cannot open after successful verification under normal usage.	<ol style="list-style-type: none"> 1. System failure. 2. Lockcase clutch failure 	Lift up and press down the handle repeatedly. If the lockset is still not able to be unlocked, please use mechanical key to open the door and contact the local dealer for



HÄFELE

Khóa điện tử
EL10K



EL10K HƯỚNG DẪN LẮP ĐẶT & SỬ DỤNG

www.hafele.com.vn

* Nội dung của hướng dẫn sử dụng này sẽ được thay đổi mà không cần thông báo trước cho người dùng để nâng cao hiệu năng của sản phẩm.

MỤC LỤC

Thông tin cần biết	24
Hướng dẫn lắp đặt	32
Hướng dẫn cài đặt	35
Hướng dẫn sử dụng	40
Câu hỏi thường gặp	42

Thông tin cần biết



Tính năng sản phẩm



4 cách mở

Vân tay, mật khẩu, thẻ từ, và chìa khóa cơ



Xác thực bằng Vân tay chủ/người dùng, Mật khẩu chủ/người dùng và Thẻ từ chủ/người dùng

3 vân tay chủ, 97 vân tay người dùng.



3 mật khẩu chủ, 47 mật khẩu người dùng.



3 thẻ từ chủ, 47 thẻ từ người dùng.



Chức năng chống sao chép mật khẩu

Có thể thêm các số ngẫu nhiên vào phía trước hoặc sau mật khẩu người dùng nhưng không quá 16 ký tự. Chức năng này sẽ ngăn chặn khả năng mật khẩu bị sao chép.



Chế độ riêng tư (Chức năng khóa kép)

Khi bật chế độ riêng tư, không thể mở cửa từ bên ngoài bằng vân tay, mật khẩu hoặc thẻ từ người dùng ngoại trừ vân tay, mật khẩu hoặc thẻ từ chủ và/hoặc chìa khóa cơ.



Chức năng báo động phá khóa

Nếu khóa bị phá bằng lực từ bên ngoài, khóa sẽ ngừng hoạt động trong 60 giây và kích hoạt báo động.



Chống phá hoặc hack

Ở chế độ xác thực đơn, khi nhập sai mật khẩu hoặc thẻ từ 6 lần, hoặc 12 lần đối với vân tay, khóa sẽ ngừng hoạt động trong vòng 300 giây và phát ra âm thanh cảnh báo trong 10 giây. Sau đó, khóa sẽ hoạt động trở lại. Khi khóa ngừng hoạt động, chỉ có thể mở bằng chìa khóa cơ.

Ở chế độ xác thực kép, khi nhập sai mật khẩu, vân tay hoặc thẻ từ 6 lần, khóa sẽ ngừng hoạt động trong 300 giây và phát ra âm thanh cảnh báo trong 10 giây. Sau đó, khóa sẽ hoạt động trở lại. Khi khóa ngừng hoạt động, chỉ có thể mở bằng chìa khóa cơ.

Nếu có bất kỳ sự xác thực chính xác nào để mở cửa hoặc đăng nhập chủ nhà để truy cập menu trước khi báo động kích hoạt thì tất cả những lần nhập sai trước đó sẽ bị xóa về 0.

Thông tin cần biết



Tính năng sản phẩm



Cảnh báo thay pin

Khi dung lượng Pin quá thấp, tín hiệu cảnh báo sẽ hiện lên trên mặt bàn phím. Vui lòng thay tất cả Pin ngay lập tức.



Chức năng chống hoảng loạn

Người dùng có thể mở khóa từ bên trong đơn giản bằng cách nhấn tay nắm xuống. Ngay cả khi bật chức năng bảo mật hoặc hết pin, quý khách vẫn có thể thoát ra một cách dễ dàng trong trường hợp khẩn cấp như hỏa hoạn ...



Chức năng luôn mở

Khi bật chức năng luôn mở, cửa có thể mở từ bên ngoài mà không cần xác thực.



Chức năng xác thực kép

Để tăng tính bảo mật, người dùng cần nhập hai thông tin xác thực để mở khóa ở chức năng này.

Thông tin cần biết

✓ Thận trọng

- Đọc và hiểu tất cả hướng dẫn trước khi sử dụng.
- Nếu hư hỏng gây ra bởi việc không tuân thủ theo hướng dẫn sử dụng này, việc bảo hành sẽ không áp dụng.
- Chỉ sử dụng Pin kiềm (Alkaline).
- Không để sản phẩm và phụ kiện tiếp xúc với mưa hoặc nước.
- Không để sản phẩm và phụ kiện tiếp xúc với các chất ăn mòn để tránh làm hư hỏng bề mặt sản phẩm.
- Không cạo cảm biến vân tay bằng các vật sắc nhọn, nếu không sẽ gây ra hư hỏng vĩnh viễn.
- Khi vệ sinh sản phẩm, vui lòng lau bằng vải mềm.
- Nếu có cảnh báo Pin yếu, vui lòng thay tất cả pin và đảm bảo lắp Pin đúng cách.

✓ Dung lượng các phương thức mở khóa và mã chủ/người dùng

Cách mở	Dung lượng	Mã chủ	Mã người dùng	Mã người dùng tạm thời
Vân tay	3 vân tay chủ, 97 vân tay người dùng	F001-F003	F004-F100	Không có
Mặt khẩu	3 mặt khẩu chủ, 47 mặt khẩu người dùng, 1 mặt khẩu người dùng tạm thời, 1 mặt khẩu dùng một lần.	P001-P003	P004-P050	Người dùng tạm thời: P052 Mặt khẩu dùng một lần: P053
Thẻ từ	3 thẻ từ chủ, 47 thẻ từ người dùng	C001-C003	C004-C050	Không có
Chìa khóa cơ	2	Không có	Không có	Không có

Thông tin cần biết



Cài đặt mặc định

Cài đặt	Thiết lập mặc định
Xác thực chủ	Vân tay, mật khẩu và thẻ từ bất kỳ
Cài đặt chế độ mở	Xác thực đơn
Bảo động phá khóa	Mở
Loa	Bật
Giới hạn nhập xác thực sai	6 lần với mật khẩu 6 lần với thẻ từ 12 lần với vân tay
Ngôn ngữ hệ thống	Tiếng Anh

***Quan trọng:** Bước đầu tiên cần làm là thiết lập xác thực chủ nhà sau khi lắp khóa.



Hướng dẫn truy cập menu cài đặt

1. Mở nắp trượt lên hoặc chạm vào bàn phím để kích hoạt khóa.
2. Ấn “C”
3. Nhập vân tay/mật khẩu/thẻ từ chủ

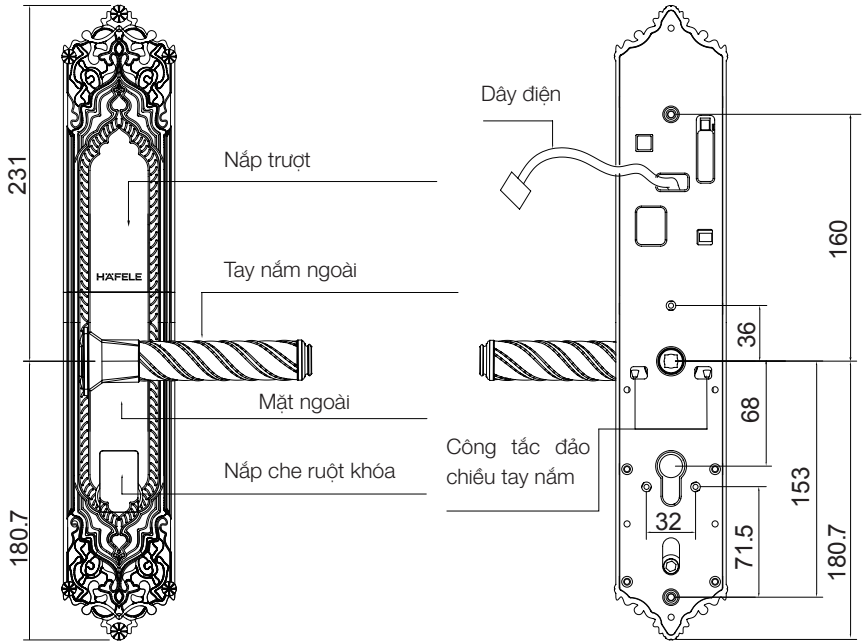
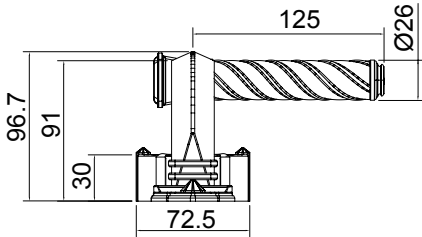


LƯU Ý

1. Có thể làm theo menu cài đặt trên màn hình hiển thị để hoàn tất cài đặt.
2. Xác thực chủ mặc định là bất kỳ vân tay, mật khẩu hoặc thẻ từ, vui lòng thay đổi xác thực chủ sau khi lắp đặt.
3. Sau khi truy cập được vào menu cài đặt, ấn phím “5” để kéo lên, phím “8” để kéo xuống. “←” là phím chọn và “C” là phím quay về/thoát.

Thông tin cần biết

Thông số kỹ thuật Mặt ngoài khóa



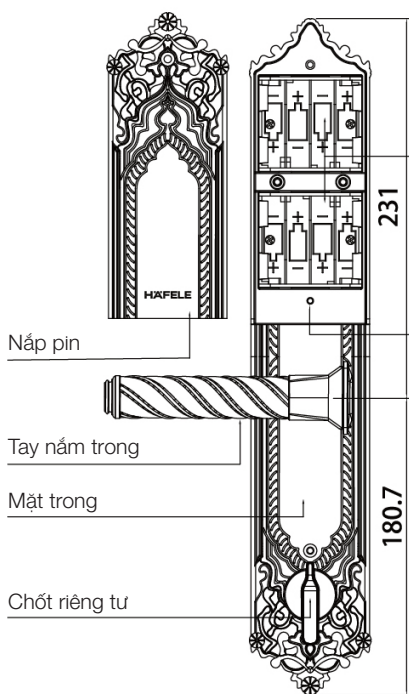
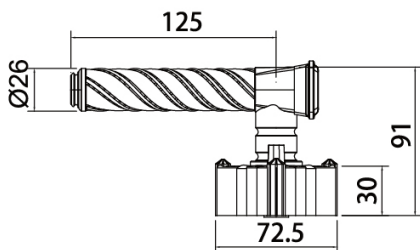
Mặt ngoài khóa - Mặt trước

Mặt ngoài khóa - Mặt sau

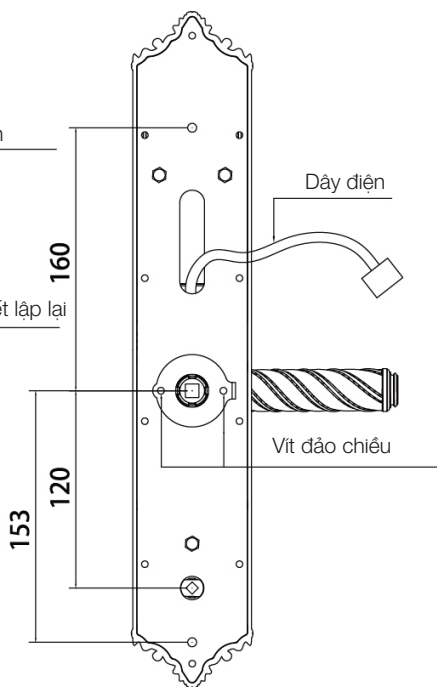
Chú ý:

1. Hình vẽ tổng thể bên trên không bao gồm miếng đệm silicon.
2. Các thông tin trên là cho mô hình cụ thể. Vui lòng xác nhận sản phẩm đã mua và cấu hình của sản phẩm

✓ Thông số kỹ thuật Mặt trong khóa



Mặt trong khóa - Mặt trước



Mặt trong khóa - Mặt sau

Thông tin cần biết

✓ Đặc tính sản phẩm

STT	Mục	Mục phụ	Thông số kỹ thuật
1	Phương thức mở khóa	Vân tay	Dung lượng: 3 chủ và 97 người dùng
2		Mặt khẩu	Dung lượng: 3 chủ và 47 người dùng
3		Thẻ từ	Dung lượng: 3 chủ và 47 người dùng
4		Chìa khóa cơ	2 chìa
5	Nguồn điện	Điện áp hoạt động	4 viên pin Alkaline 1,5V AA
6		Tuổi thọ pin	Trên 2.000 lần trong điều kiện sử dụng bình thường
7		Cảnh báo điện áp thấp	$\leq 4.8V$
8		Nguồn điện dự phòng	5V Micro-USB
9	Tiêu thụ điện	Dòng điện tĩnh	$\leq 60\mu A$
10		Dòng điện động	$\leq 600mA$
11	Cảm biến vân tay	Phạm vi quét	12mm x 12mm
12		Độ phân giải	508dpi
13		Tốc độ phản hồi	< 0.5 giây
14		Nhiệt độ hoạt động	$-25^{\circ}C - 70^{\circ}C$
15		Độ ẩm tương đối	20%-95%
16		FRR	$\leq 0.1\%$
17		FAR	$\leq 0.001\%$
18		Cảm biến vân tay	Bán dẫn
19		Chế độ đối chiếu	1:N
20		Khả năng chống tĩnh điện	\leq không khí/8KV tiếp xúc
21	Khả năng truy cập	Lịch sử mở khóa	50 lần mở gần nhất

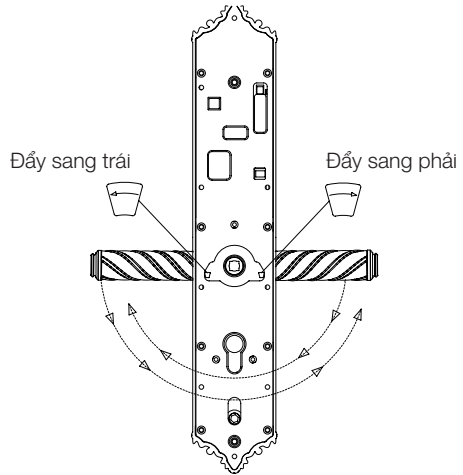


Đảo chiều tay nắm

Đảo chiều tay nắm ngoài

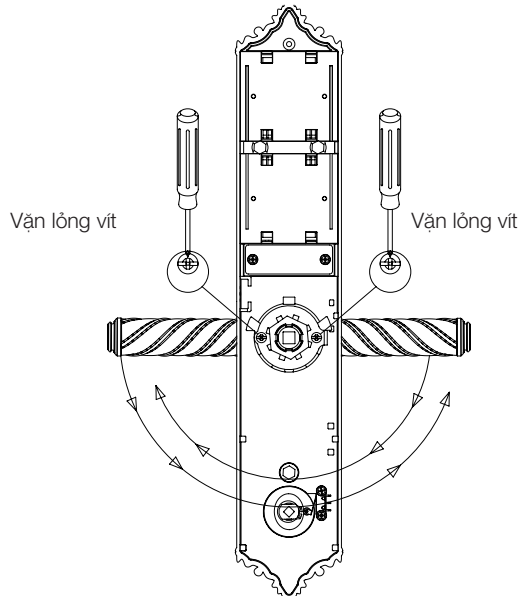
(Chú ý: đảm bảo rằng cửa đã khóa trước khi đảo chiều tay nắm. Nếu quý khách không chắc chắn rằng cửa đã khóa hay chưa, vui lòng xác nhận bằng cách cấp điện cho khóa và rút chìa khóa cơ.)

Có hai công tắc đảo chiều ở sau mặt trong. Khi người dùng muốn đảo chiều tay nắm về phía bên kia, ấn công tắc đảo chiều về cùng hướng với tay nắm, cùng lúc đó xoay tay nắm 180° theo hướng từ trên xuống. Bỏ tay ra khỏi công tắc đảo chiều và kết thúc quá trình đảo chiều tay nắm bên ngoài!

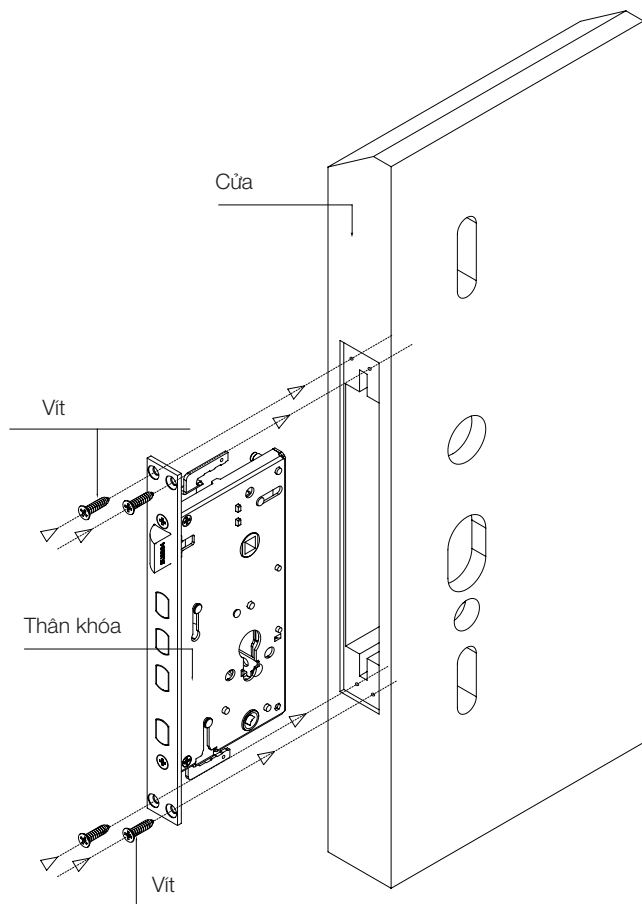


Đảo chiều tay nắm trong

1. Vặn lỏng hai vít.
2. Xoay tay khóa 180° theo hướng từ trên xuống.
3. Siết chặt lại hai ốc vít và kết thúc quá trình đảo chiều tay nắm bên trong!



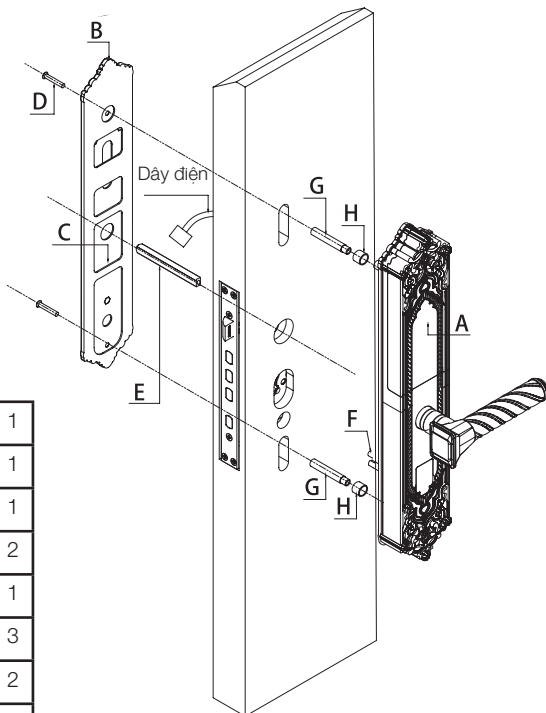
✓ Lắp đặt thân khóa



Lắp đặt thân khóa

1. Đưa thân khóa vào lỗ khoan sẵn trên cửa. Đảm bảo rằng chốt cài hướng lên trên.
2. Cố định thân khóa bằng 4 vít được cung cấp.

✓ Lắp đặt mặt ngoài khóa

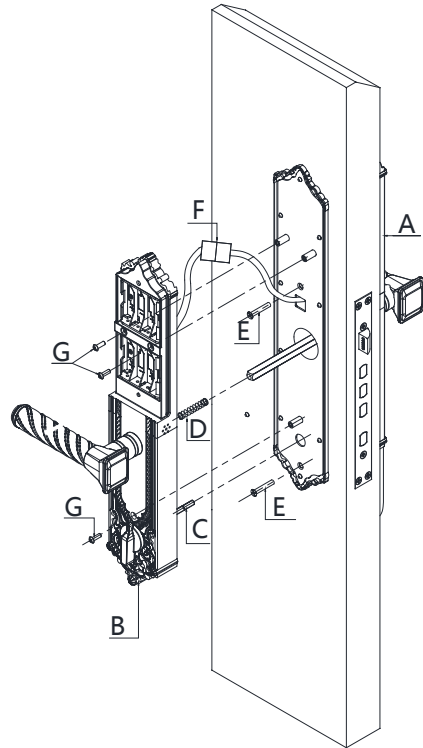


A	Mặt ngoài khóa	1
B	Miếng đệm silicon	1
C	Tấm lót mặt sau	1
D	Vít đầu phẳng Phillip M5X45	2
E	Trục 8X8X130	1
F	Bu-lông 22	3
G	Bu-lông liên kết	2
H	Ron chống cắt	2

Lắp đặt mặt ngoài khóa

- Đặt ron chống cắt vào bu-lông liên kết và siết vào tấm lót mặt trước.
- Cố định Vít đầu bằng M6X12 vào lỗ vít M6 ở dưới tay cầm, và vặn cùng với bu-lông 26.
- Siết chặt 3 bu-lông 22 vào mặt trước của tấm lót (để đặt thân khóa).
- Luồn dây điện qua lỗ trên thân cửa sang mặt sau.
- Đặt mặt ngoài khóa lên cửa (xem hình trên), và đưa trục 8X8 thông qua lỗ trên thân khóa vào trong lỗ vuông trên mặt ngoài khóa từ phía bên kia cánh cửa.
- Gắn mặt sau của tấm lót vào miếng đệm silicon và đặt vào mặt bên kia của cánh cửa, sau đó dùng vít đầu bằng Phillip M5X45 để cố định vào mặt ngoài.

✓ Lắp đặt mặt trong khóa



A	Mặt ngoài khóa	1
B	Mặt trong khóa	1
C	Trục cửa chốt riêng tư	1
D	Lò xo trục 8X8	1
E	Vít dẫu phẳng Philip M5X95	2
F	Cổng kết nối dây tín hiệu	
G	Ví dẫu tròn Phillip M4X15	3

Lắp đặt mặt trong khóa

1. Nối dây tín hiệu ở hai mặt khóa.
2. Đặt lò xo trục 8X8 vào lỗ vuông bên tay nắm bên trong. Đặt mặt trong khóa lên cửa vào tấm lót mặt sau. Hãy chắc chắn rằng trục 8X8 được đặt vào trong lỗ vuông của tay nắm mặt trong; và đặt trục để chuyển chế độ riêng tư vào trong lỗ vuông nhỏ trên thân khóa.
3. Cố định mặt trong khóa bằng 3 Vít dẫu tròn Phillip M4X15.

Hướng dẫn cài đặt

✓ Bảng hướng dẫn

Vân tay	<ol style="list-style-type: none">1. Thêm vân tay chủ nhà2. Thêm vân tay người dùng3. Xóa một người dùng*4. Xóa toàn bộ người dùng*
Mặt khẩu	<ol style="list-style-type: none">1. Thêm mặt khẩu chủ nhà2. Thêm mặt khẩu người dùng3. Xóa một người dùng*4. Xóa toàn bộ người dùng*
Thẻ từ	<ol style="list-style-type: none">1. Thêm thẻ từ chủ nhà2. Thêm thẻ từ người dùng3. Xóa một người dùng*4. Xóa toàn bộ người dùng*
Cài đặt hệ thống	<ol style="list-style-type: none">1. Thiết lập lại2. Bật âm3. Tắt âm4. Cài đặt thời gian*5. Người dùng tạm thời*
Cài đặt xác thực*	Xác thực đơn Xác thực vân tay và vân tay Xác thực vân tay và mặt khẩu Xác thực mặt khẩu và thẻ từ Xác thực vân tay và thẻ từ
Cảnh báo phá khóa	Bật Tắt
Truy vấn hệ thống	Lịch sử mở khóa* Tình trạng bộ nhớ Phiên bản

* Vui lòng xem giải thích trong phần cài đặt nâng cao

Hướng dẫn cài đặt

Giải thích cài đặt nâng cao

Xóa một người dùng

LƯU Ý

Để tránh vận hành sai, khi chỉ còn một phương thức xác thực chủ (ví dụ vân tay chủ), việc xóa người dùng lẻ trong cài đặt vân tay sẽ không thể thực hiện. Tương tự đối với các loại phương thức xác thực chủ khác (như mặt khẩu hoặc thẻ từ chủ). Phương thức xác thực chủ cuối cùng có thể bị xóa bằng cách thiết lập lại khóa.

Xóa toàn bộ người dùng

LƯU Ý

Để tránh vận hành sai, khi chỉ còn một phương thức xác thực chủ (ví dụ một vân tay chủ), việc xóa toàn bộ người dùng trong cài đặt vân tay sẽ không thể thực hiện. Phải có ít nhất một loại phương thức xác thực chủ khác (ví dụ mặt khẩu hoặc thẻ từ chủ) để xóa toàn bộ người dùng trong cài đặt vân tay. Tương tự đối với việc xóa tất cả người dùng trong cài đặt mặt khẩu và thẻ từ.

Cài đặt thời gian

1. Truy cập vào menu bằng vân tay/mặt khẩu/thẻ từ chủ.
2. Chọn “Cài đặt thời gian” trong tùy chọn “Cài đặt hệ thống”.
3. Nhập ngày, giờ và thứ trong tuần để cài đặt giờ hệ thống

LƯU Ý

Có thể nhập thứ trong tuần bằng số từ 1 đến 7 lần lượt từ Thứ hai đến Chủ nhật.



Giải thích cài đặt nâng cao

Cài đặt người dùng tạm thời

1. Truy cập vào menu bằng vân tay/mật khẩu/thẻ từ chủ.
2. Chọn “Người dùng tạm thời” trong mục “Cài đặt hệ thống”.
3. Chọn “Thêm người dùng tạm thời” và nhập mật khẩu cho người dùng tạm thời.
4. Quay lại mục “Người dùng tạm thời”, và chọn “Cài đặt ngày” để cài đặt ngày bắt đầu và ngày kết thúc cho phép người dùng tạm thời mở khóa bằng mật khẩu.

(Chú ý: không thể cài đặt ngày bắt đầu và ngày kết thúc trong cùng một ngày, ví dụ nếu quý khách muốn người dùng tạm thời mở khóa bằng mật khẩu chỉ trong ngày 20/02, quý khách cần cài đặt ngày bắt đầu vào ngày 20/02 và ngày kết thúc vào ngày 21/02. Người dùng tạm thời sẽ không thể mở khóa cửa bằng mật khẩu sau 00:00 giờ ngày 21/02)

5. Quay lại mục “Người dùng tạm thời”, và chọn “Khoảng thời gian 1” để cài đặt thời gian bắt đầu và thời gian kết thúc cho phép người dùng tạm thời mở khóa bằng mật khẩu. Có ba khoảng thời gian và phải thiết lập ít nhất một khoảng thời gian để mật khẩu người dùng tạm thời có hiệu lực. Nếu quý khách cài đặt tất cả khoảng thời gian với những khoảng thời gian khác nhau, người dùng tạm thời có thể mở khóa bằng mật khẩu vào bất kỳ khoảng thời gian đã được cài đặt vào mỗi ngày.

Định dạng của khoảng thời gian là từ 00:00 đến 23:59.

Ví dụ thời gian bắt đầu: 00:00

thời gian kết thúc: 23:59

6. Quay lại mục “Người dùng tạm thời”, và chọn “Cài đặt tuần”. Làm theo hướng dẫn dưới đây để hoàn tất cài đặt tuần:

A. Nhập số “0” hoặc “1”.

B. “0” là ngày không có hiệu lực, “1” là ngày có hiệu lực

C. Nhập 7 chữ số (“0” hoặc “1” để thay cho khoảng khả dụng từ Thứ hai đến Chủ nhật. Chữ số đầu tiên thay cho Thứ Hai, chữ số thứ hai thay cho Thứ ba và cứ tiếp tục như vậy.

Ví dụ: Nếu cài đặt tuần là “0111110”, nghĩa là người dùng tạm thời không thể mở khóa vào toàn bộ ngày Thứ hai và Chủ nhật, nhưng có thể mở khóa vào thời gian cài đặt từ Thứ ba đến Thứ bảy.



LƯU Ý

Người dùng tạm thời được thiết lập sau khi đã hoàn thành đủ 6 bước trên.

Hướng dẫn cài đặt

Giải thích cài đặt nâng cao

Cài đặt mật khẩu dùng một lần

1. Truy cập vào menu bằng vân tay/mật khẩu/thẻ từ chủ.
2. Chọn “Người dùng tạm thời” trong mục “Cài đặt hệ thống”.
3. Chọn “Thêm mật khẩu dùng một lần” và nhập mật khẩu.

LƯU Ý

Mật khẩu này sẽ hết hiệu lực sau một lần mở khóa.

Xóa người dùng tạm thời

1. Truy cập vào menu bằng vân tay/mật khẩu/thẻ từ chủ.
2. Chọn “Người dùng tạm thời” trong mục “Cài đặt hệ thống”.
3. Chọn “Xóa người dùng tạm thời” để xóa mật khẩu của người dùng tạm thời.

LƯU Ý

Nếu mật khẩu dùng một lần được cài đặt. Việc xóa mật khẩu người dùng tạm thời thì cả mật khẩu người dùng tạm thời lẫn mật khẩu dùng một lần đều bị xóa cùng lúc.

Cài đặt xác thực

1. Truy cập vào menu bằng vân tay/mật khẩu/thẻ từ chủ.
2. Chọn “cài đặt xác thực” trong mục “Cài đặt hệ thống”.
3. Chọn bất kỳ chế độ xác thực nào.

LƯU Ý

Chế độ xác thực kép (xác thực vân tay và vân tay/ vân tay và mật khẩu/ mật khẩu và thẻ từ/ vân tay và thẻ từ) chỉ áp dụng đối với người dùng thường. Chủ luôn có thể mở cửa bằng xác thực đơn.

Lịch sử mở khóa

LƯU Ý

Hệ thống lưu trữ lịch sử 50 lần mở khóa gần nhất. Sau khi vượt quá 50 lần, thông tin mới sẽ tự động viết đè lên thông tin cũ.

Hướng dẫn cài đặt

✓ Giải thích cài đặt nâng cao

Cài đặt chế độ luôn mở

Bật chế độ luôn mở:

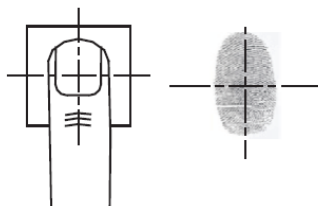
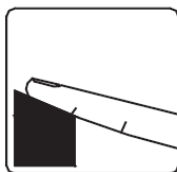
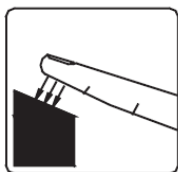
1. Mở khóa bằng cách nhập vân tay/mặt khẩu/thẻ từ của chủ hoặc người dùng.
2. Sau khi cửa mở, ấn giữ phím “0” cho tới khi màn hình hiển thị “Bật chế độ luôn mở”.

Tắt chế độ để mở:

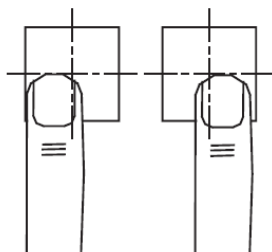
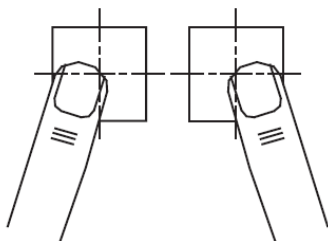
1. Mở khóa bằng cách nhập vân tay/mặt khẩu/thẻ từ của chủ hoặc người dùng.
2. Sau khi cửa mở, ấn phím “C” cho tới khi màn hình hiển thị “Tắt chế độ luôn mở”.

✓ Hướng dẫn nhập vân tay

Nhập vân tay đúng cách (việc xác thực vân tay nên được thực hiện đồng nhất với lần đầu tiên người dùng thêm vân tay).



Nhập vân tay sai cách



Hướng dẫn sử dụng



Mở và khóa cửa

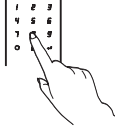
Hướng dẫn mở cửa từ bên ngoài

Vân tay



1. Đặt ngón tay đã đăng ký vào đúng vùng cảm biến vân tay.
2. Ấn tay cảm xuống để mở cửa.

Mật khẩu



1. Mở nắp trượt để khởi động bàn phím.
2. Nhập mật khẩu đã đăng ký và kết thúc bằng phím "="
3. Ấn tay cảm xuống để mở cửa.

Thẻ từ



1. Đặt thẻ từ đã đăng ký vào đúng vị trí biểu tượng thẻ từ
2. Ấn tay cảm xuống để mở cửa.

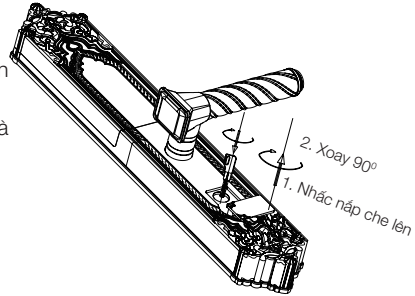
Chức năng tạo mã bảo mật ngẫu nhiên

Có thể thêm dãy số ngẫu nhiên có độ dài tối đa 16 ký tự trước hoặc sau mật khẩu người dùng thật.

Chức năng này tránh làm lộ mật khẩu người dùng

Sử dụng chìa khóa cơ

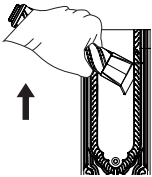
1. Nhấc nắp che ruột khóa lên và xoay 90° sang bên trái hoặc bên phải.
2. Tra chìa khóa vào trong ổ và xoay đúng chiều, và ấn tay cảm để mở cửa.



LƯU Ý

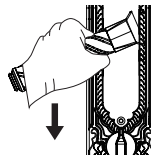
1. Không ấn tay cảm trong khi xoay chìa khóa. Luôn xoay chìa khóa trước và ấn tay cảm sau để mở cửa.
2. Khi khóa ở chế độ riêng tư, chỉ có thể mở khóa bằng cách nhập thông tin xác thực chủ nhà.

Hướng dẫn khóa cửa



Nâng tay cảm bên trong hoặc bên ngoài để đẩy chốt cố định ra ngoài

Hướng dẫn mở cửa từ bên trong



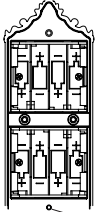
Ấn tay cảm bên trong để mở cửa

Hướng dẫn sử dụng




Tính năng dịch vụ

Khởi phục cài đặt mặc định



Nút thiết lập lại

Hướng dẫn thực hiện:

1. Mở nắp pin và tìm nút thiết lập lại.
2. Nhấn nút thiết lập lại và ấn giữ  trên bàn phím cảm ứng để thiết lập lại hệ thống.
3. Sau khi thiết lập lại, toàn bộ dữ liệu và cài đặt của người dùng sẽ bị xóa.

Nguồn điện khẩn cấp

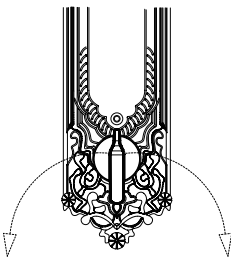
Khi pin xuống mức quá thấp hoặc hết hoàn toàn và không thể mở khóa từ bên ngoài bằng các nhập xác thực chủ/người dùng, kết nối với một nguồn điện 5V thông qua cổng micro USB ở mặt trước. Sau đó mở cửa bằng xác thực chủ/người dùng và thay ngay toàn bộ pin.



Đẩy nắp trượt lên

Ổ cắm nguồn điện dự phòng Micro USB

Chế độ riêng tư



Cửa mở phải

Cửa mở trái

Khi đóng cửa, xoay chốt để bật chế độ riêng tư.

Sau khi bật chế độ riêng tư, chỉ có xác thực chủ nhà mới mở được cửa từ bên ngoài. Không thể dùng xác thực người dùng và chia khóa cơ để mở.

Câu hỏi thường gặp

✓ Lỗi thường gặp và cách khắc phục

Hiện tượng lỗi	Phân tích khả năng gây ra lỗi	Giải pháp
Đã thêm vân tay thành công nhưng thường bị báo “sai vân tay” khi sử dụng vân tay để mở cửa hoặc truy cập vào menu cài đặt	Chất lượng hình ảnh vân tay quá thấp, lớp chống xước của cảm biến vân tay chưa được bóc ra hoặc ngón tay quá ướt	1) Bóc lớp chống xước ra khỏi cảm biến vân tay. 2) Thêm một số người dùng với các góc khác nhau của cùng một ngón tay. 3) Lau khô ngón tay và đặt lại vân tay vào.
Có cảnh báo và màn hình OLED nhắc “pin yếu” khi mở khóa.	Nguồn điện gần hết sau thời gian dài sử dụng.	Vui lòng thay pin kịp thời.
Cảm biến vân tay không sáng.	Nguồn điện có thể quá yếu để cảm biến vân tay hoạt động bình thường.	1) Pin yếu, vui lòng thay pin ngay. 2) Nếu màn hình OLED vẫn sáng, sử dụng mặt khóa để mở cửa. 3) Vui lòng sử dụng chìa khóa cơ để mở.
Không thể mở cửa khi xác thực thành công theo cách thông thường.	1. Lỗi hệ thống. 2. Lỗi thân khóa	Lặp lại việc nâng và hạ tay cầm. Nếu vẫn không mở được khóa, vui lòng sử dụng chìa khóa cơ để mở cửa và liên hệ nhà cung cấp để xử lý.

HÄFELE

Häfele VN LLC.

Phone: (+84 28) 39 113 113

Email: info@hafele.com.vn

