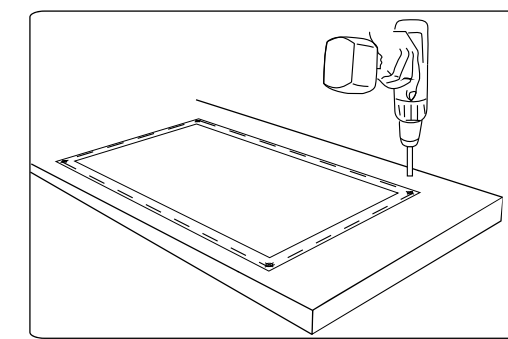


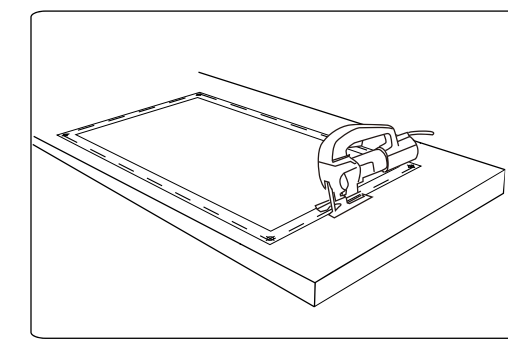
# 产品型号: 602159

Drill four corner holes - 1/2" Diameter

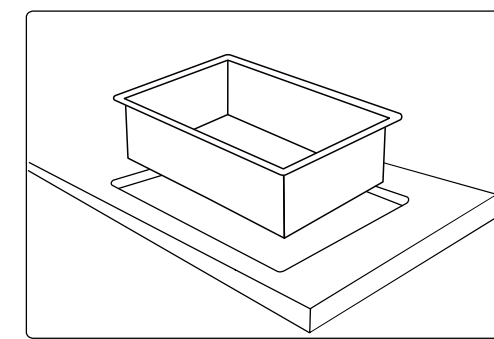
## FOR TOP MOUNT INSTALLATION



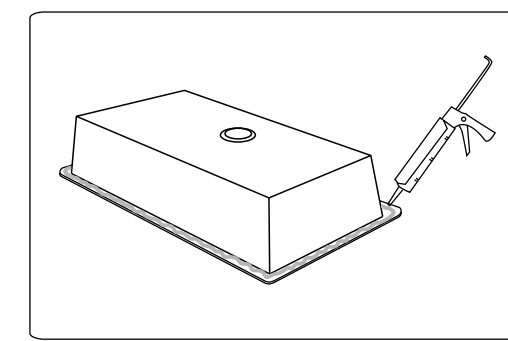
Drill four corner holes - 1/2" Diameter



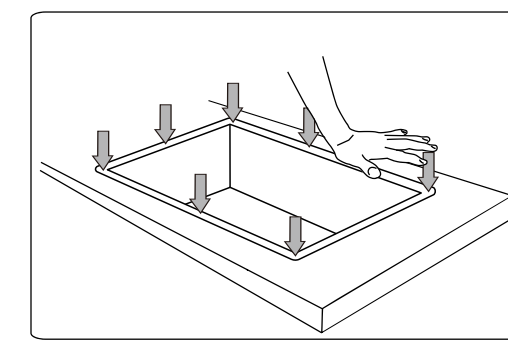
Cut along this dotted line to connect holes



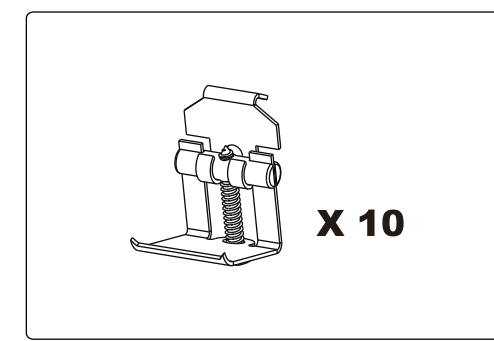
Check hole size



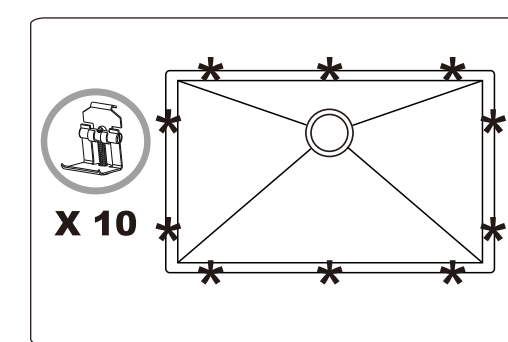
Silicone Sealant



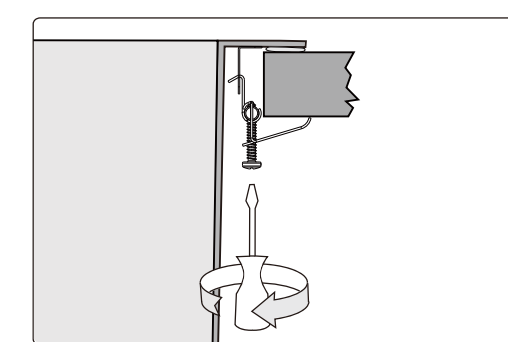
Press



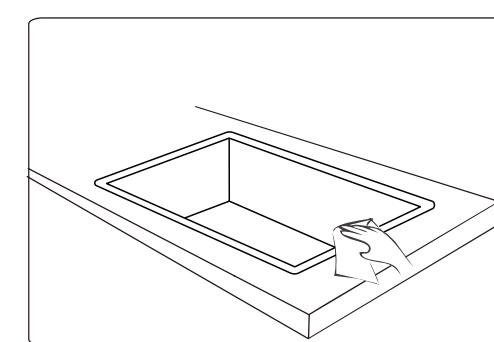
Thread



Locate

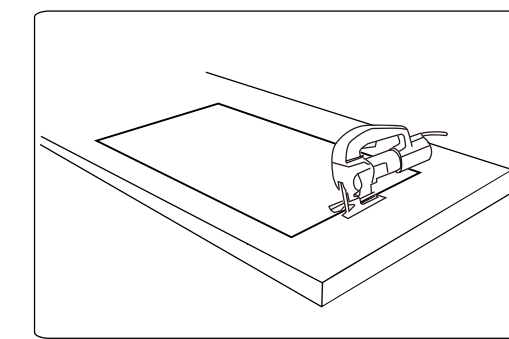


Tighten All

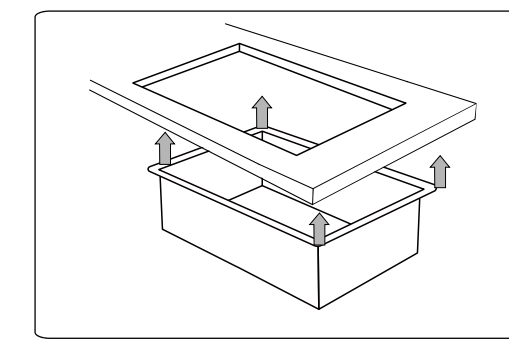


Clean

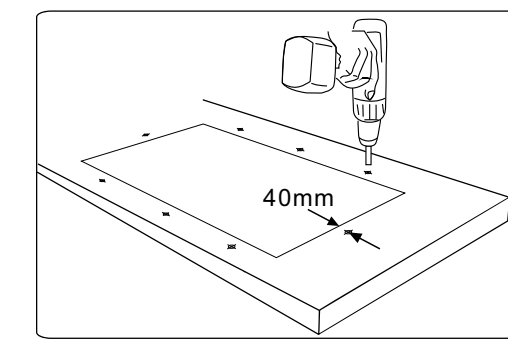
## FOR UNDER-MOUNT INSTALLATION



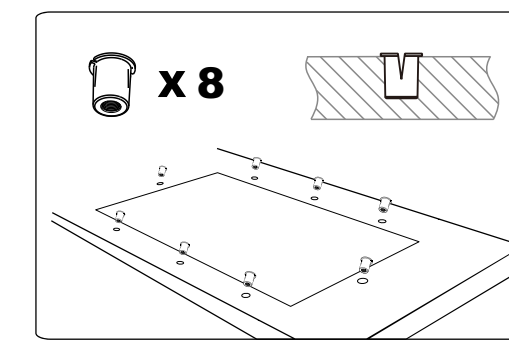
Cut along this line to connect holes



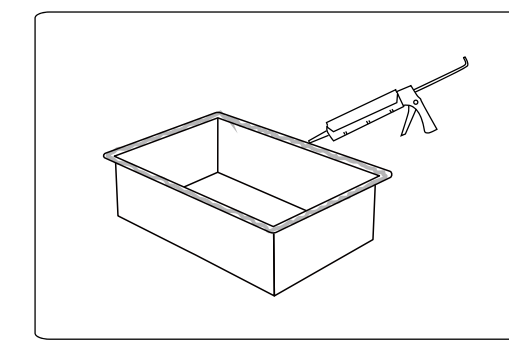
Check hole size



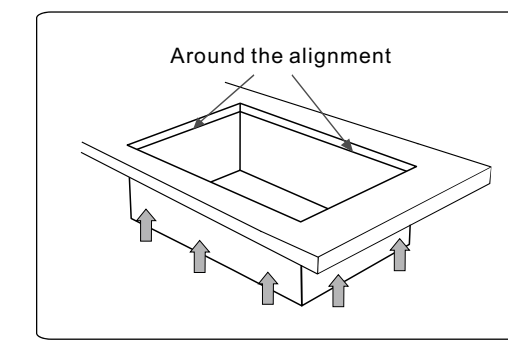
Drill eight holes on the back  
φ 10 with depth 15mm on the back



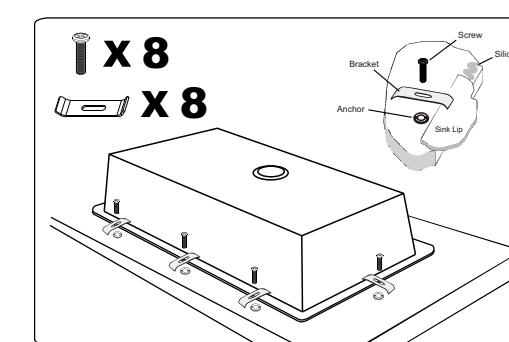
Anchor



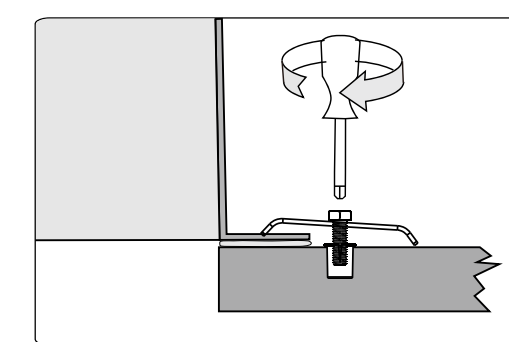
Silicone Sealant



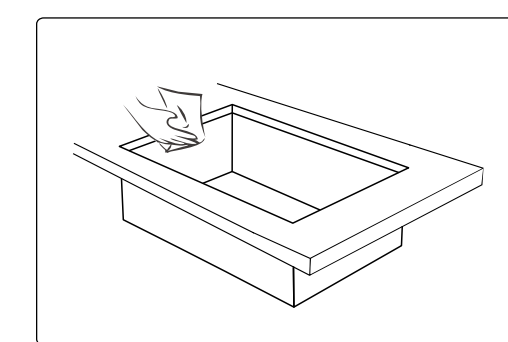
Around the alignment



Locate



Tighten All



Clean

FOR TOP MOUNT INSTALLATION (844x424mm)

FOR UNDER-MOUNT INSTALLATION (820x400mm)