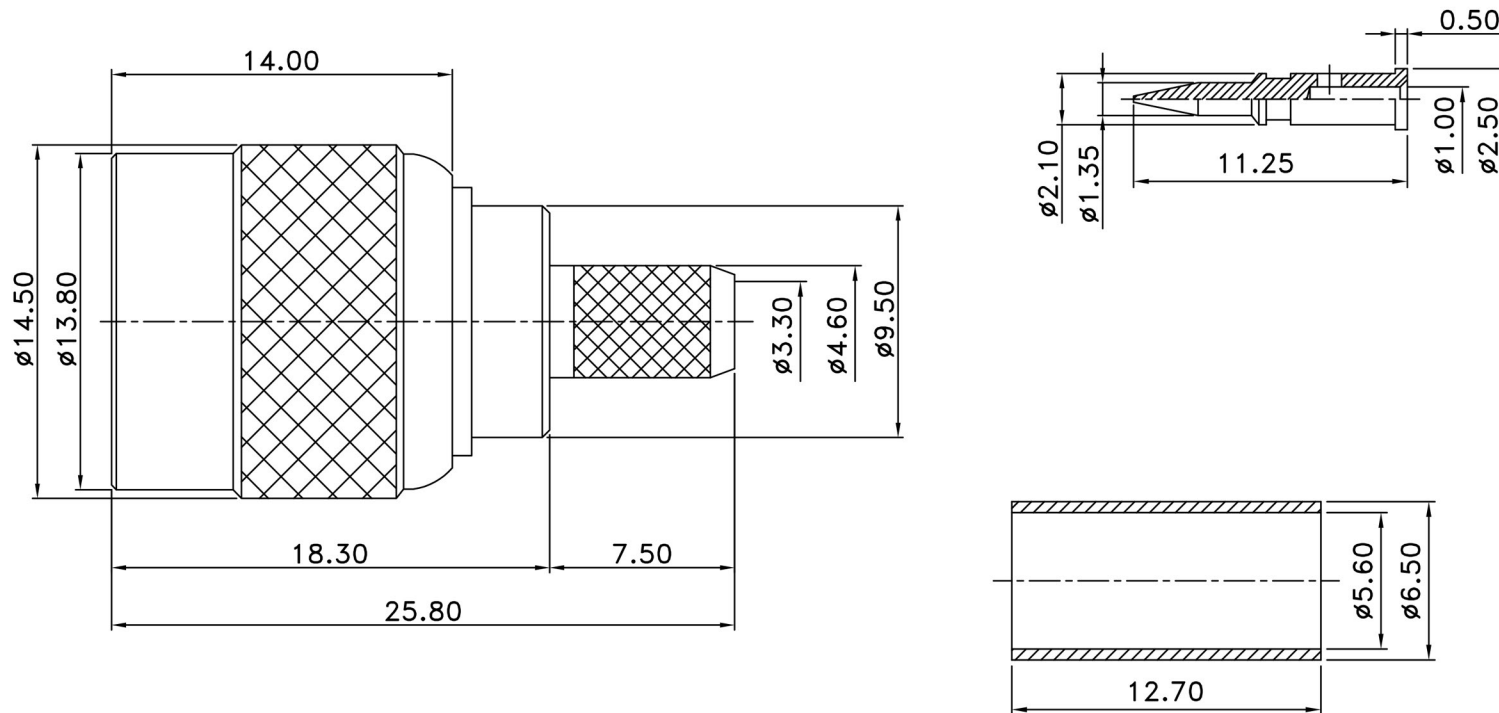




58 Wakis Avenue, Strijdompark, Randburg 2155, Johannesburg
 Tel: +27 11 791 1033 | Fax: +27 11 791 1187 | wireless@otto.co.za | www.otto.co.za

TNC-17-01-F-TGN TNC plug straight crimp for RG58

REV	DESCRIPTION	DRAWN	DATE



8	GASKET	1	RUBBER	RED
7	RETAINING RING	1	BRASS	NICKEL
6	SLEEVE	1	BRASS	NICKEL
5	SHELL	1	BRASS	NICKEL
4	FERRULE	1	BRASS	NICKEL
3	DIELECTRIC	1	TEFLON	NONE
2	PIN	1	BRASS	GOLD
1	BODY	1	BRASS	NICKEL
NO	Description	Q'ty	Material	Finish

UNLESS OTHERWISE SPECIFIED
 1. REMOVE ALL BURRS.
 2. BREAK ALL CORNERS & EDGES 0.15 MAX.
 3. CHAMFER 1ST & LAST THREADS 45°
 4. DIAMETERS ON COMMON CENTERS.
 TO BE CONCENTRIC WITHIN 0.1 TIR.
 5. ALL DIMENSIONS ARE AFTER PLATING.

* MAJOR DIMENSION
 UNLESS OTHERWISE NOTED TOLERANCES
 0.5-6=±0.2
 6-30=±0.4
 30-120=±0.6
 120-315=±1.0
 ANGLES=±1°
 SCALE 4/1 UNIT MM

APPROVED
 CHECKED
 DRAWN andrew
 DRAWN DATE 03/06/12

CHANGHONG
 CHANG HONG TECHNOLOGY CO., LTD.
 TITLE
 TNC MALE CRIMP FOR RG58
 DRAWING NO.
 TNC-17-01-F-TGN
 REV A
 FILE NO.