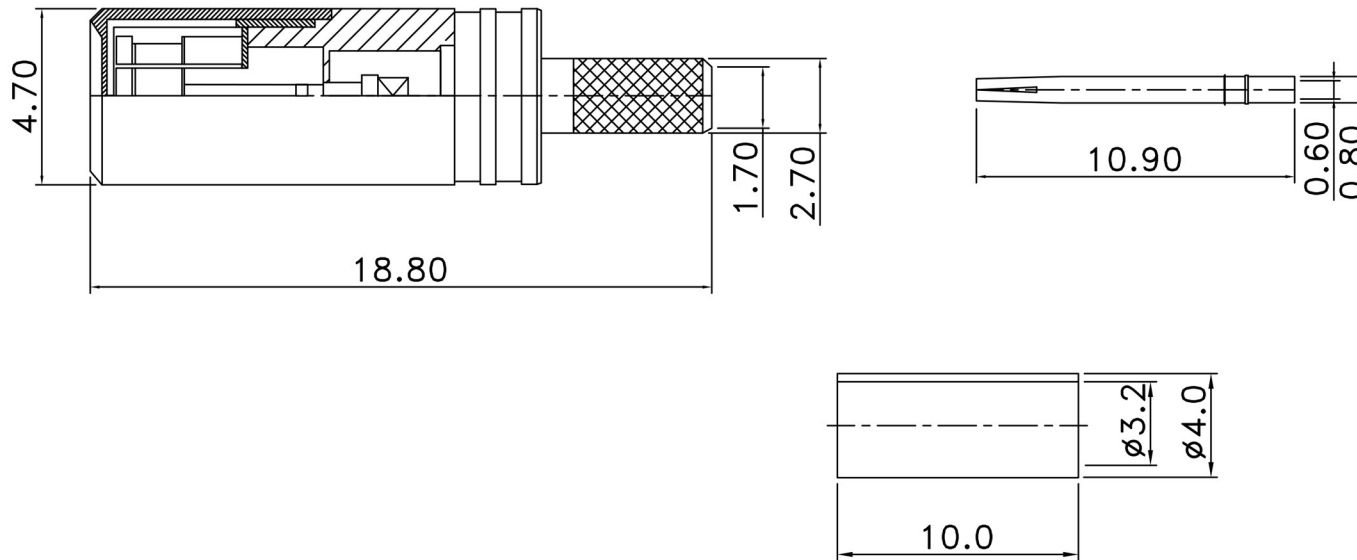




58 Wakis Avenue, Strijdompark, Randburg 2155, Johannesburg
 Tel: +27 11 791 1033 | Fax: +27 11 791 1187 | wireless@otto.co.za | www.otto.co.za

SSMB-43-02-LTGG SSMB crimp plug for RG174

REV	DESCRIPTION	DRAWN	DATE



6	FERRULE	1	BRASS	GOLD
5	RETAINING RING	1	BERYLLIUM	GOLD
4	SHELL	1	BRASS	GOLD
3	INSULATOR	1	TEFLON	NONE
2	PIN	1	BERYLLIUM	GOLD
1	BODY	1	BRASS	GOLD
NO	Description	Q'ty	Material	Finish

UNLESS OTHERWISE SPECIFIED
 1.REMOVE ALL BURRS.
 2.BREAK ALL CONNERS & EDGES CO.15 MAX.
 3.CHAMFER 1ST & LAST THREADS 45°
 4.DIAMETERS ON COMMON CENTERS.
 TO BE CONCENTRIC WITHIN 0.1 T.T.R.
 5.ALL DIMENSIONS ARE AFTER PLATING.

* MAJOR DIMENSION
 UNLESS OTHERWISE NOTED TOLERANCES
 0.5-6=±0.2
 6-30=±0.4
 30-120=±0.6
 120-315=±1.0
 ANGLES=±1°
 SCALE 5/1 UNIT MM

APPROVED
 CHECKED
 DRAWN andrew
 DRAWN DATE 03/07/28

CHANGHONG
 CHANG HONG TECHNOLOGY CO., LTD.

TITLE
 SSMB MALE CRIMP FOR RG174

DRAWING NO.
 SSMB-43-02-L-TGG

REV A

FILE NO.