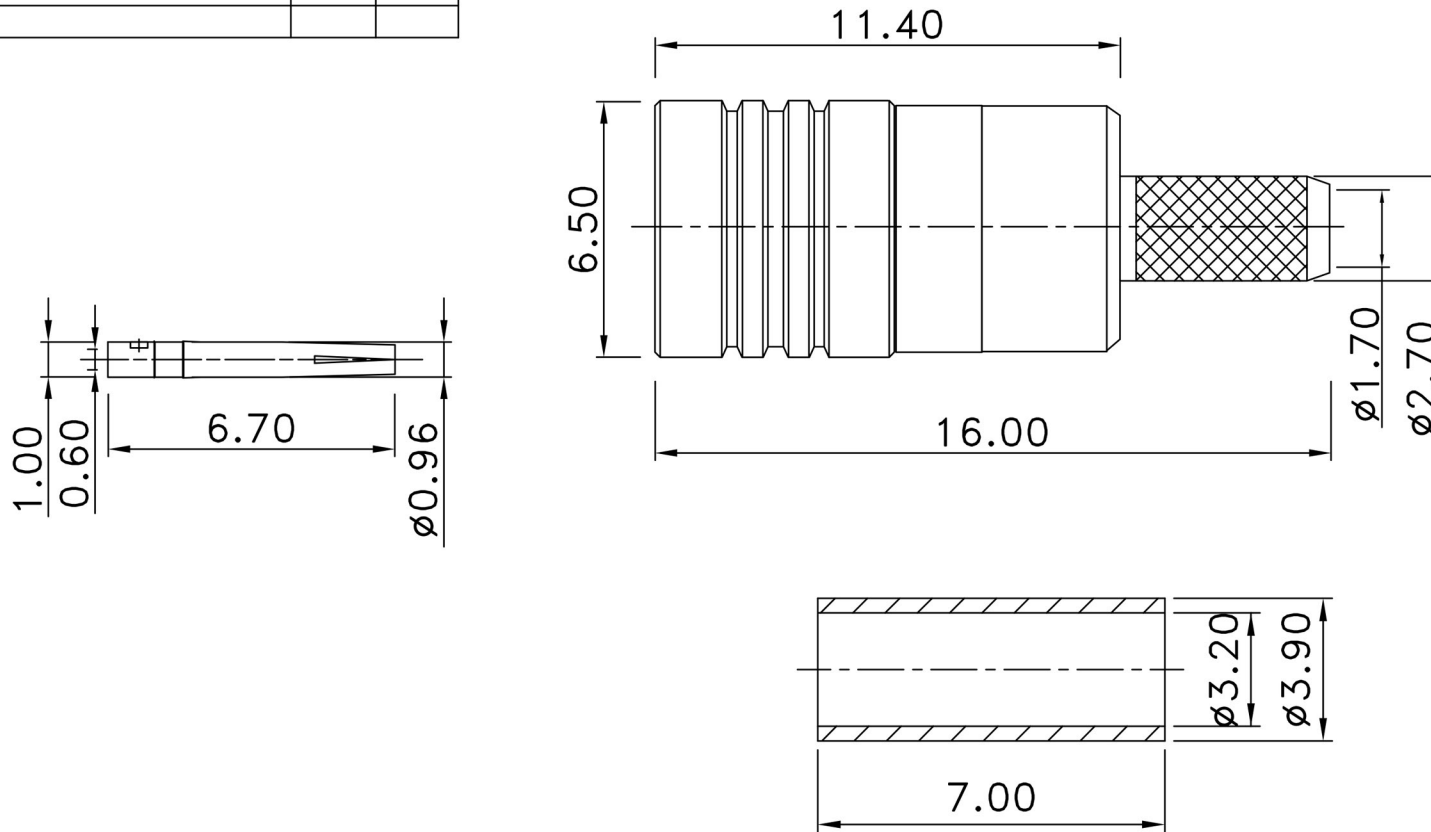




58 Wakis Avenue, Strijdompark, Randburg 2155, Johannesburg  
 Tel: +27 11 791 1033 | Fax: +27 11 791 1187 | wireless@otto.co.za | www.otto.co.za

## SMB-07-01-L-TGG SMB plug straight crimp for RG174

REV	DESCRIPTION	DRAWN	DATE



7	RETAINING RING	1	BERYLLIUM	GOLD
6	FERRULE	1	COPPER	GOLD
5	FERRULE	1	BRASS	GOLD
4	DIELECTRIC	1	TEFLON	NONE
3	PIN	1	BERYLLIUM	GOLD
2	BODY	1	BRASS	GOLD
1	BODY	1	BRASS	GOLD
NO	Description	Q'ty	Material	Finish

UNLESS OTHERWISE SPECIFIED	* MAJOR DIMENSION	APPROVED
1.REMOVE ALL BURRS.	UNLESS OTHERWISE NOTED TOLERANCES	CHECKED
2.BREAK ALL CONNERS & EDGES CO.15 MAX.	0.5-6=±0.2	DRAWN
3.CHAMFER 1ST & LAST THREADS 45°	6-30=±0.4	andrew
4.DIAMETERS ON COMMON CENTERS.	30-120=±0.6	DRAWN DATE 03/06/07
TO BE CONCENTRIC WITHIN 0.1 T.T.R.	120-315=±1.0	FILE NO.
5.ALL DIMENSIONS ARE AFTER PLATING.	ANGLES=±1°	
SCALE 6/1	UNIT MM	

 <small>CHANG HONG TECHNOLOGY CO., LTD.</small>	
<b>TITLE</b> SMB MALE CRIMP FOR RG174	
<b>DRAWING NO.</b> SMB-07-01-L-TGG	<b>REV</b> A