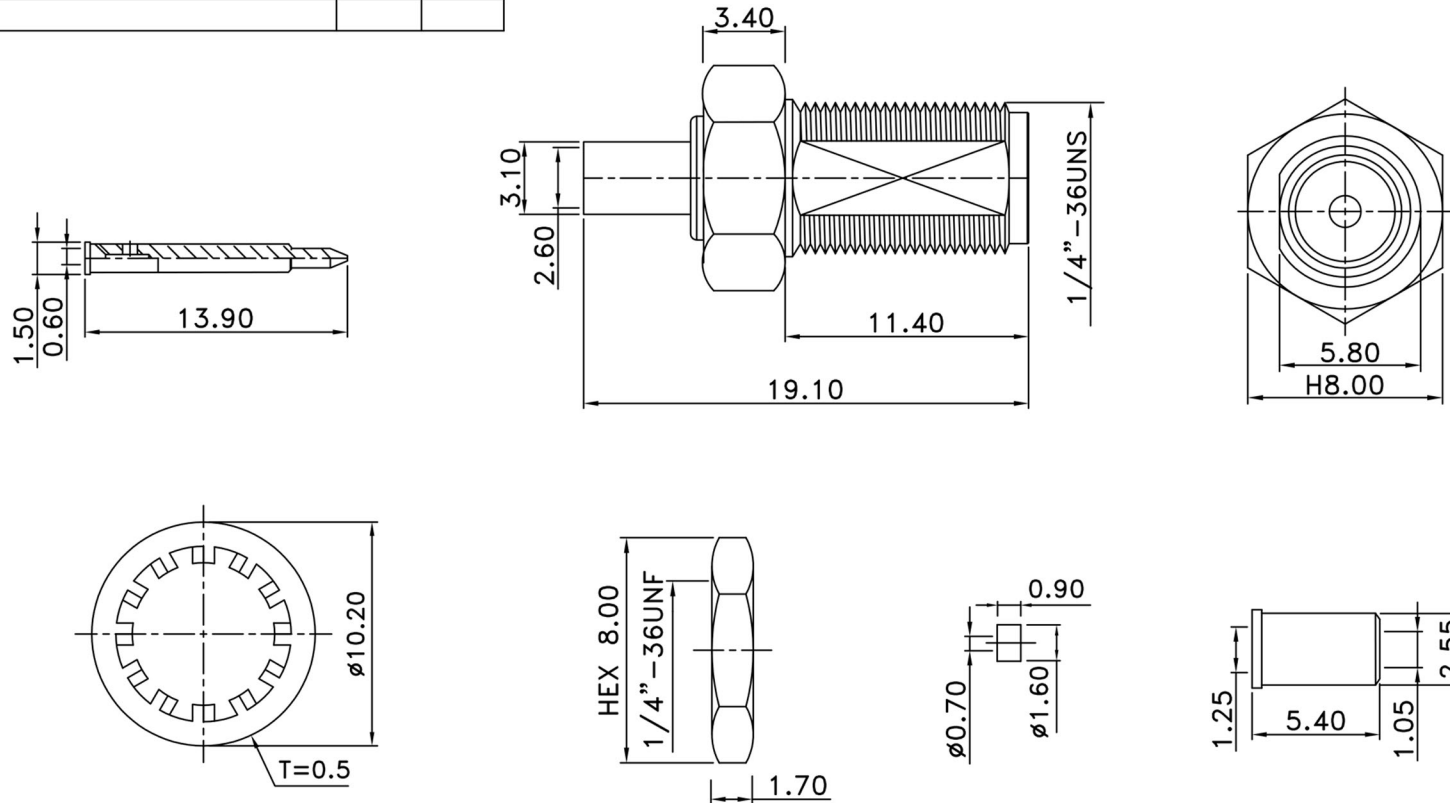




58 Wakis Avenue, Strijdompark, Randburg 2155, Johannesburg
 Tel: +27 11 791 1033 | Fax: +27 11 791 1187 | wireless@otto.co.za | www.otto.co.za

SMA-02-73RP-I-TGG SMA bulkhead R/P crimp jack for 1.13mm cable

REV	DESCRIPTION	DRAWN	DATE



7	SLEEVE	1	BRASS	GOLD
6	NUT	1	BRASS	GOLD
5	WASHER	1	BRASS	GOLD
4	INSULATOR B	1	TEFLON	NONE
3	INSULATOR A	1	TEFLON	NONE
2	PIN	1	PHOS BRONZE	GOLD
1	BODY	1	BRASS	GOLD
NO	Description	Q'ty	Material	Finish

UNLESS OTHERWISE SPECIFIED
 1.REMOVE ALL BURRS.
 2.BREAK ALL CONNERS & EDGES CO.15 MAX.
 3.CHAMFER 1ST & LAST THREADS 45°
 4.DIAMETERS ON COMMON CENTERS.
 TO BE CONCENTRIC WITHIN 0.1 T.T.R.
 5.ALL DIMENSIONS ARE AFTER PLATING.

* MAJOR DIMENSION
 UNLESS OTHERWISE NOTED TOLERANCES
 0.5-6=±0.2
 6-30=±0.4
 30-120=±0.6
 120-315=±1.0
 ANGLES=±1°

APPROVED
 CHECKED
 DRAWN andrew
 DRAWN DATE 03/06/23

TITLE
 SMA FEMALE RP BKD CRIMP FOR 1.13
 DRAWING NO.
 SMA-02-73-RP-I-TGG
 REV A
 FILE NO.