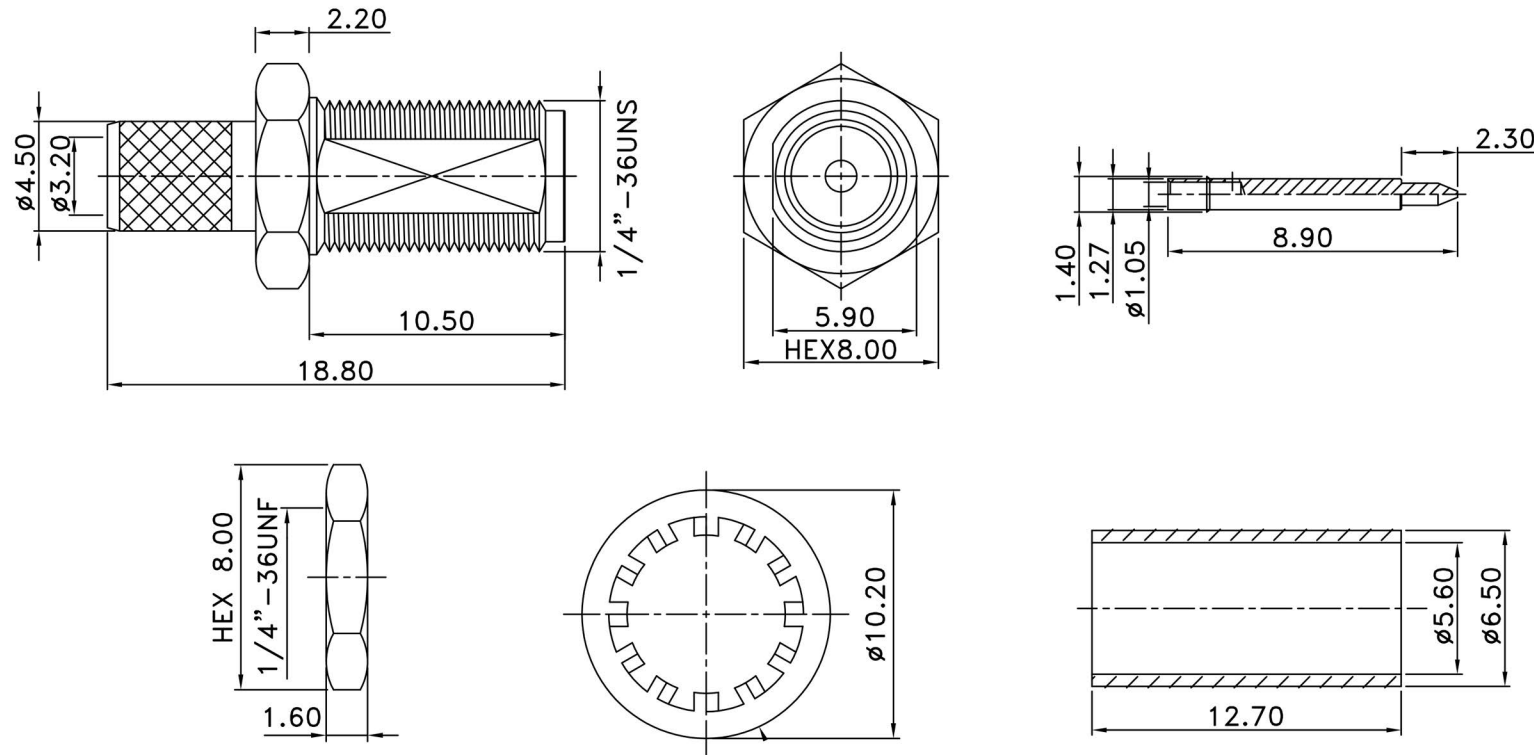


## SMA-02-68RP-F-TGG SMA bulkhead R/P crimp jack RG58

REV	DESCRIPTION	DRAWN	DATE



6	FERRULE	1	BRASS	GOLD
6	PIN	1	BRASS	GOLD
5	BODY	1	BRASS	GOLD
4	INSULATOR A	1	TEFLON	NONE
3	WASHER	1	BRASS	GOLD
2	WASHER	1	BRASS	GOLD
1	NUT	1	BRASS	GOLD
NO	Description	Q'ty	Material	Finish

UNLESS OTHERWISE SPECIFIED  
 1.REMOVE ALL BURRS.  
 2.BREAK ALL CORNERS & EDGES CO.15 MAX.  
 3.CHAMFER 1ST & LAST THREADS 45°  
 4.DIAMETERS ON COMMON CENTERS.  
 TO BE CONCENTRIC WITHIN 0.1 TIR  
 5.ALL DIMENSIONS ARE AFTER PLATING.

\* MAJOR DIMENSION  
 UNLESS OTHERWISE NOTED TOLERANCES  
 0.5-6=±0.2  
 6-30=±0.4  
 30-120=±0.6  
 120-315=±1.0  
 ANGLES=±1°

APPROVED  
 CHECKED  
 DRAWN andrew  
 DRAWN DATE 03/07/15



CHANG HONG TECHNOLOGY CO., LTD.

TITLE  
 SMA FEMALE RP BKD CRIMP FOR RG58

DRAWING NO.  
 SMA-02-68-RP-F-TGG

REV A

FILE NO.