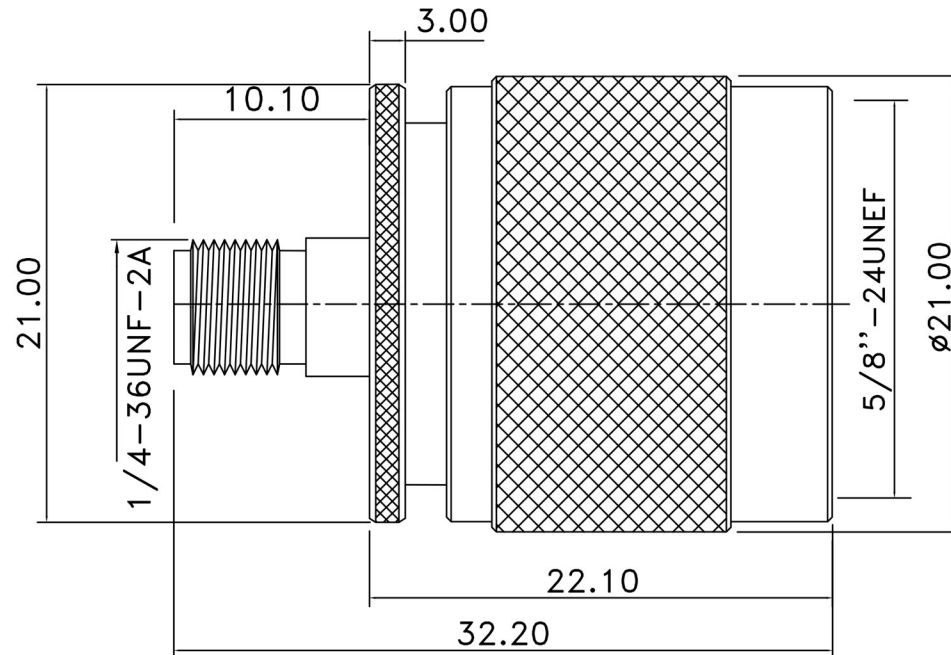




58 Wakis Avenue, Strijdompark, Randburg 2155, Johannesburg
 Tel: +27 11 791 1033 | Fax: +27 11 791 1187 | wireless@otto.co.za | www.otto.co.za

SMA-02-54-TGN N plug to SMA female adaptor

REV	DESCRIPTION	DRAWN	DATE



8	Gasket(G-003-SI)	1	Si-rubber	Orange
7	Retaining ring(W-010)	1	Brass	Nickel
6	Shell(S-005)	1	Brass	Nickel
5	Ground ring(E-011)	1	Brass	Nickel
4	Dielectric(T-01024)	1	Teflon	White
3	Dielectric(T-00019)	1	Teflon	White
2	Pin(C-08020)	1	Brass	Gold
1	Body(B-08013)	1	Brass	Nickel
NO	Description	Q'ty	Material	Finish

UNLESS OTHERWISE SPECIFIED	* MAJOR DIMENSION	APPROVED
1.REMOVE ALL BURRS. 2.BREAK ALL CONNERS & EDGES CO.15 MAX. 3.CHAMFER 1ST & LAST THREADS 45° 4.DIAMETERS ON COMMON CENTERS. 5.ALL DIMENSIONS ARE AFTER PLATING.	UNLESS OTHERWISE NOTED TOLERANCES 0.5-6=±0.2 6-30=±0.4 30-120=±0.6 120-315=±1.0 ANGLES=±1°	CHECKED
		DRAWN andrew
		DRAWN DATE 02/06/02
	SCALE 3/1 UNIT MM	

TITLE SMA FEMALE TO N MALE	
DRAWING NO. SMA-02-54-TGN	REV A
FILE NO.	