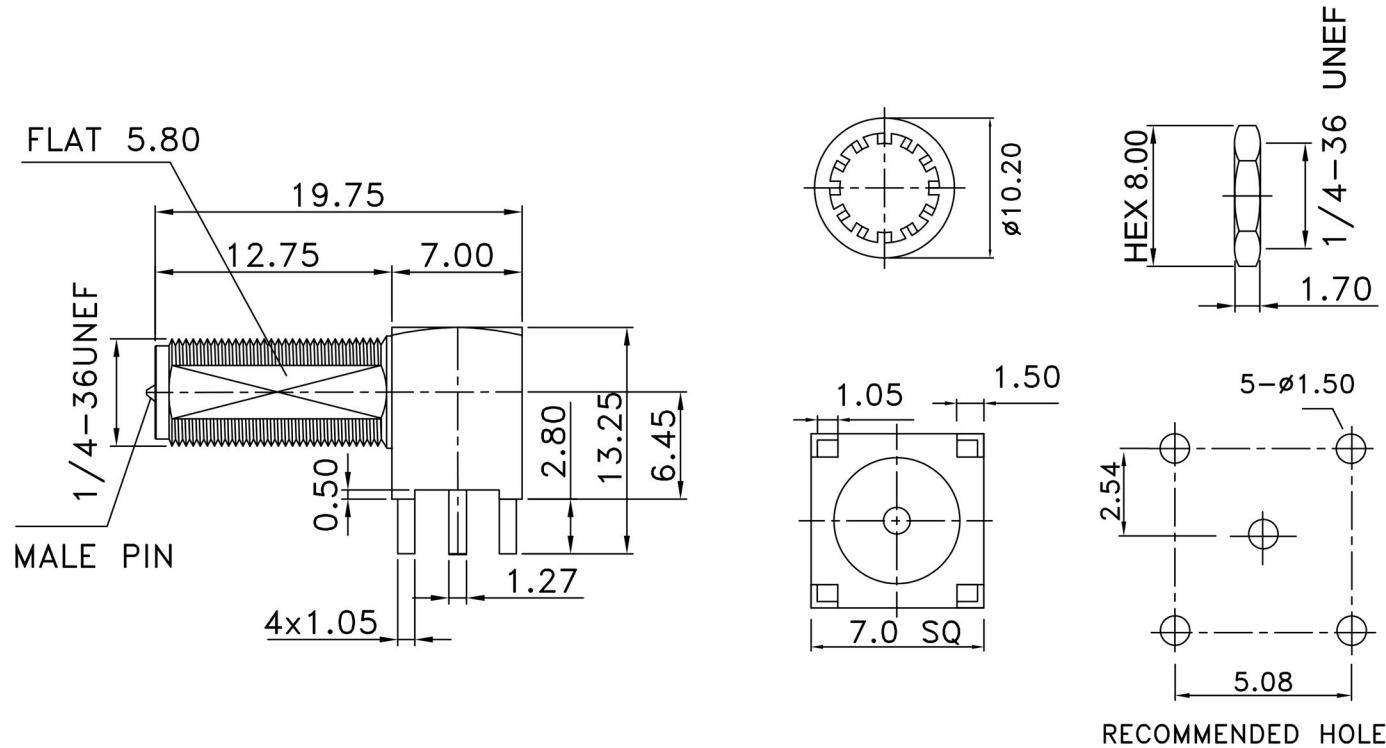




58 Wakis Avenue, Strijdompark, Randburg 2155, Johannesburg
 Tel: +27 11 791 1033 | Fax: +27 11 791 1187 | wireless@otto.co.za | www.otto.co.za

SMA-02-148-TGG SMA RIGHT ANGLE JACK REV POL(R/P)

REV	DESCRIPTION	DRAWN	DATE



7	NUT	1	BRASS	GOLD
6	CHASDSIS	1	BRASS	GOLD
5	INSULATOR B	1	TEFLON	NONE
4	PIN	1	BRASS	GOLD
3	INSULATOR A	1	TEFLON	NONE
2	WASHER	2	BRASS	GOLD
1	BODY	1	BRASS	GOLD

UNLESS OTHERWISE SPECIFIED
 1.REMOVE ALL BURRS
 2.BREAK ALL CONNERS & EDGES CO.15 MAX
 3.CHAMFER 1ST & LAST THREADS 45°
 4.DIAMETERS ON COMMON CENTERS.
 TO BE CONCENTRIC WITHIN 0.1 TYP
 5.ALL DIMENSIONS ARE AFTER PLATING.

* MAJOR DIMENSION
 UNLESS OTHERWISE NOTED TOLERANCES
 0.5-6=±0.2
 6-30=±0.4
 30-120=±0.6
 120-315=±1.0
 ANGLES=±1°

APPROVED
 CHECKED
 DRAWN andrew

CHANGHONG
 CHANG HONG TECHNOLOGY CO., LTD.

SMA JACK RP BKD R/A FOR PCB

DRAWING NO. SMA-02-148-TGG REV A

FILE NO.

NO	Description	Q'ty	Material	Finish

SCALE	6/1	UNIT	MM	DRAWN DATE