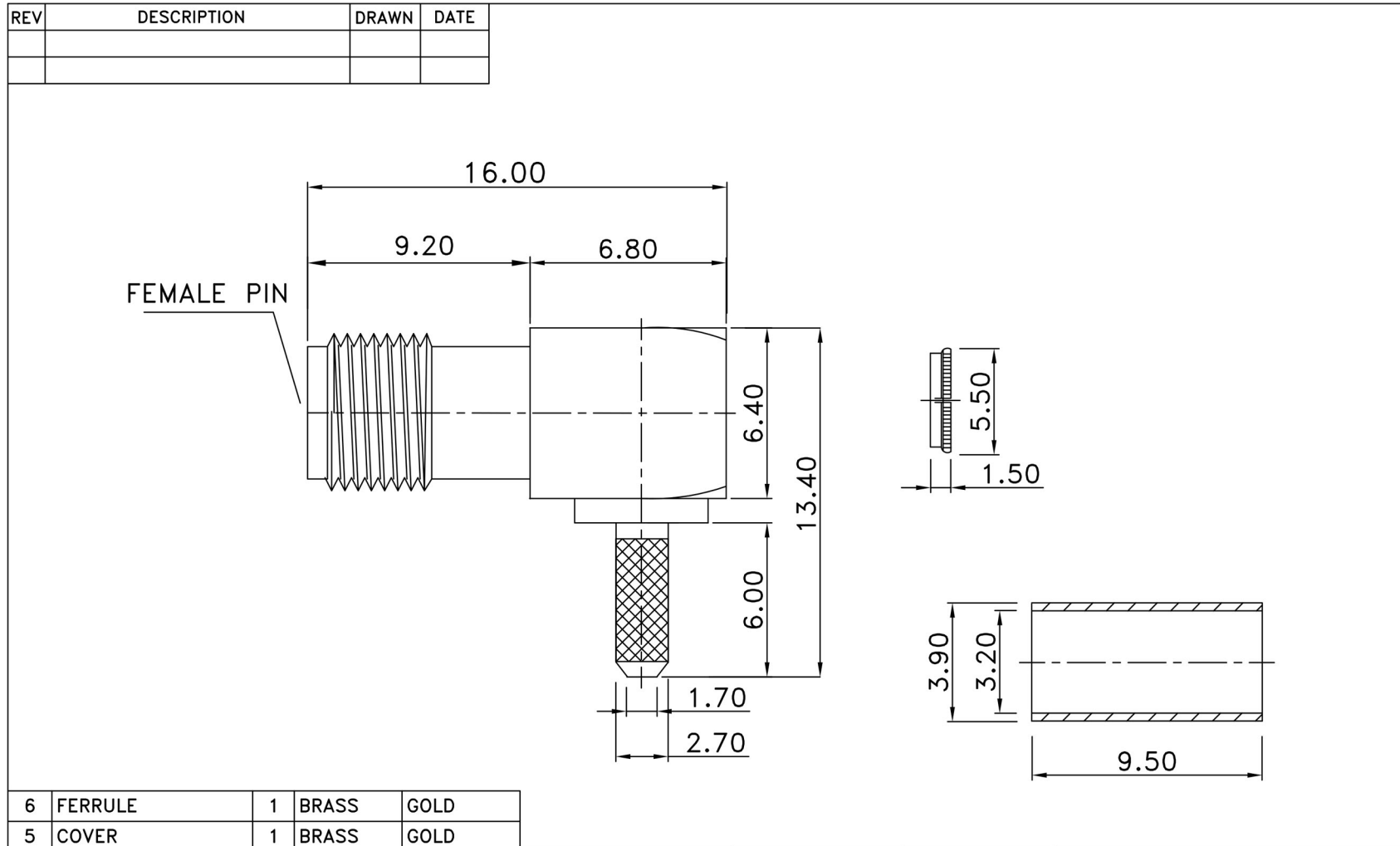




58 Wakis Avenue, Strijdompark, Randburg 2155, Johannesburg
 Tel: +27 11 791 1033 | Fax: +27 11 791 1187 | wireless@otto.co.za | www.otto.co.za

SMA-02-04-L-TGG SMA jack female right angle crimp for RG174



<p>UNLESS OTHERWISE SPECIFIED</p> <p>1. REMOVE ALL BURRS. 2. BREAK ALL CONNERS & EDGES CO.15 MAX. 3. CHAMFER 1ST & LAST THREADS 45°. 4. DIAMETERS ON COMMON CENTERS. TO BE CONCENTRIC WITHIN 0.1 FLR. 5. ALL DIMENSIONS ARE AFTER PLATING.</p>	<p>* MAJOR DIMENSION</p> <p>UNLESS OTHERWISE NOTED TOLERANCES</p> <p>0.5-6=±0.2 6-30=±0.4 30-120=±0.6 120-315=±1.0 ANGLES=±1°</p>	<p>APPROVED</p> <p>CHECKED</p> <p>DRAWN andrew</p> <p>DRAWN DATE 03/06/17</p>	<p style="text-align: center;">CHANGHONG <small>CHANG HONG TECHNOLOGY CO., LTD.</small></p> <p>TITLE SMA FEMALE R/A CRIMP FOR RG174</p> <p>DRAWING NO. SMA-02-04-1-L-TGG</p> <p>REV A</p> <p>FILE NO.</p>
SCALE	6/1	UNIT	MM