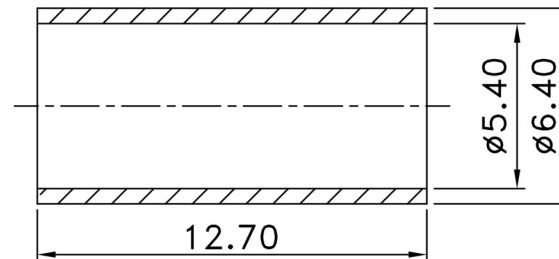
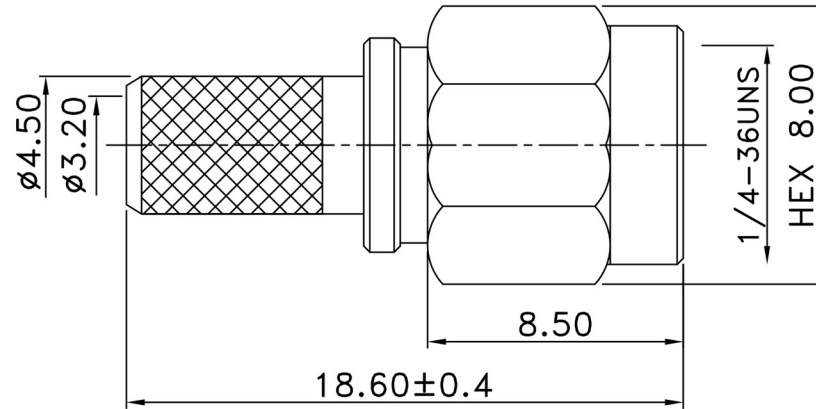
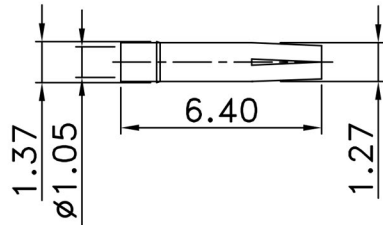




58 Wakis Avenue, Strijdompark, Randburg 2155, Johannesburg  
 Tel: +27 11 791 1033 | Fax: +27 11 791 1187 | wireless@otto.co.za | www.otto.co.za

## SMA-01-25RP-F-TGG SMA R/P plug straight crimp for RG58

REV	DESCRIPTION	DRAWN	DATE



7	FERRULE	1	BRASS	GOLD
6	PIN	1	Be Cu	GOLD
5	BODY	1	BRASS	GOLD
4	INSULATOR	1	TEFLON	NONE
3	WASHER	1	STELL	NONE
2	GASKET	1	SILICONE	NONE
1	SHELL	1	BRASS	GOLD
NO	Description	Q'ty	Material	Finish

UNLESS OTHERWISE SPECIFIED  
 1.REMOVE ALL BURRS.  
 2.BREAK ALL CONNERS & EDGES CO.15 MAX.  
 3.CHAMFER 1ST & LAST THREADS 45°  
 4.DIAMETERS ON COMMON CENTERS TO BE CONCENTRIC WITHIN 0.1 TIR.  
 5.ALL DIMENSIONS ARE AFTER PLATING.

\* MAJOR DIMENSION  
 UNLESS OTHERWISE NOTED TOLERANCES  
 0.5-6=±0.2  
 6-30=±0.4  
 30-120=±0.6  
 120-315=±1.0  
 ANGLES=±1°

APPROVED  
 CHECKED  
 DRAWN andrew  
 DRAWN DATE 03/07/15

**CHANGHONG**  
 CHANG HONG TECHNOLOGY CO., LTD.

TITLE  
 SMA MALE RP CRIMP FOR RG58

DRAWING NO.  
 SMA-01-25-RP-F-TGG

REV A

FILE NO.