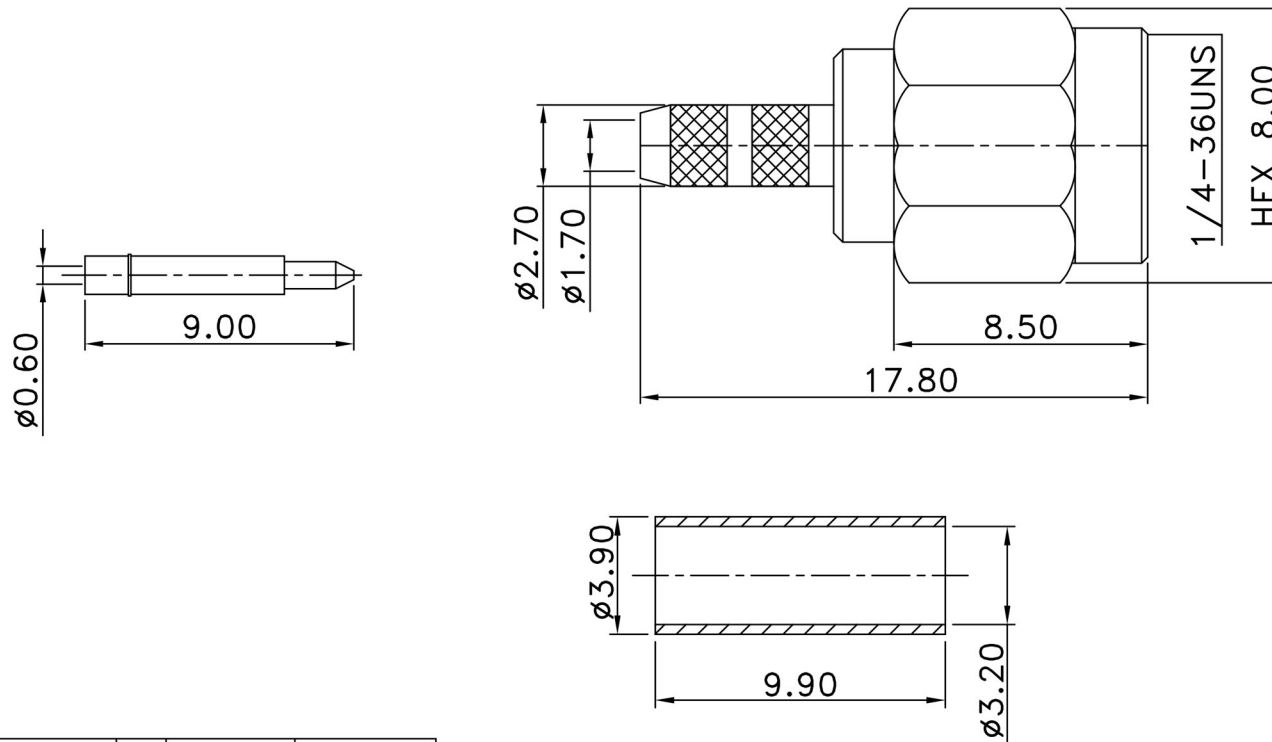




58 Wakis Avenue, Strijdompark, Randburg 2155, Johannesburg
 Tel: +27 11 791 1033 | Fax: +27 11 791 1187 | wireless@otto.co.za | www.otto.co.za

SMA-01-02-L-TGG SMA plug straight crimp for RG174

REV	DESCRIPTION	DRAWN	DATE



7	FERRULE	1	COPPER	NOTE 1
6	PIN	1	BRASS	NOTE 2
5	BODY	1	BRASS	NOTE 1
4	INSULATOR	1	TEFLON	NONE
3	WASHER	1	STEEL	NONE
2	GASKET	1	SILICONE	NONE
1	SHELL	1	BRASS	NOTE 1

UNLESS OTHERWISE SPECIFIED
 1.REMOVE ALL BURRS.
 2.BREAK ALL CONNERS & EDGES CO.15 MAX.
 3.CHAMFER 1ST & LAST THREADS 45°
 4.DIAMETERS ON COMMON CENTERS.
 TO BE CONCENTRIC WITHIN 0.1mm.
 5.ALL DIMENSIONS ARE AFTER PLATING.

* MAJOR DIMENSION
 UNLESS OTHERWISE NOTED TOLERANCES
 0.5-6=±0.2
 6-30=±0.4
 30-120=±0.6
 120-315=±1.0
 ANGLES=±1°

APPROVED
 CHECKED
 DRAWN andrew

CHANGHONG
 CHANG HONG TECHNOLOGY CO., LTD.

TITLE
 SMA MALE CRIMP FOR RG174

DRAWING NO.
 SMA-01-02-L-TGG

REV A

FILE NO.

NO	Description	Qty	Material	Finish

SCALE 5/1 UNIT MM DRAWN DATE 03/07/04