



wireless@otto.co.za • +27 11 791 1033

OFFICIAL SOUTH AFRICAN DISTRIBUTOR

810-900MHz(center 868MHz) MINI OMNI 6 dBi FOR N JACK+L TYPE MOUNT



ROHS

Specifications/Special Features :
 This antenna is designed for
 GSM850/CDMA communications

Specification	
Model No.	OA-868-01-1
Frequency range	810-900MHz(center 868MHz)
Antenna Type	OMNI
Gain(dBi)	6 dBi
VSWR	<=2.0
Impedance	50Ω
Polarization	Linear Vertical
Power handling	50W
Antenna Mount	L TYPE
Connector	N FEMALE
Operating Temperature	-40 ~ +65°C
Humidity	100%@25°c
Lightning Protection	Direct Ground
Radome color	white
Radome material	Fiberglass
Dimensions	L820×W19×H19mm

DA-868-01-1

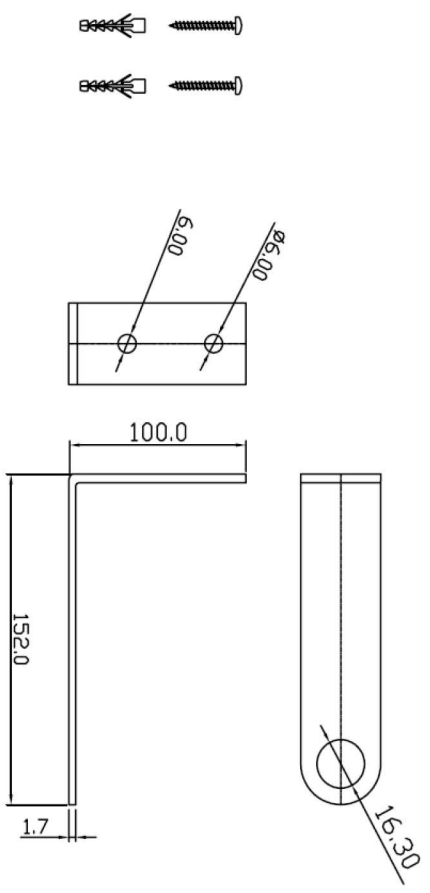
810-900MHZ(center 868MHZ) MINI OMNI 6 dBi FOR N JACK+L TYPE MOUNT



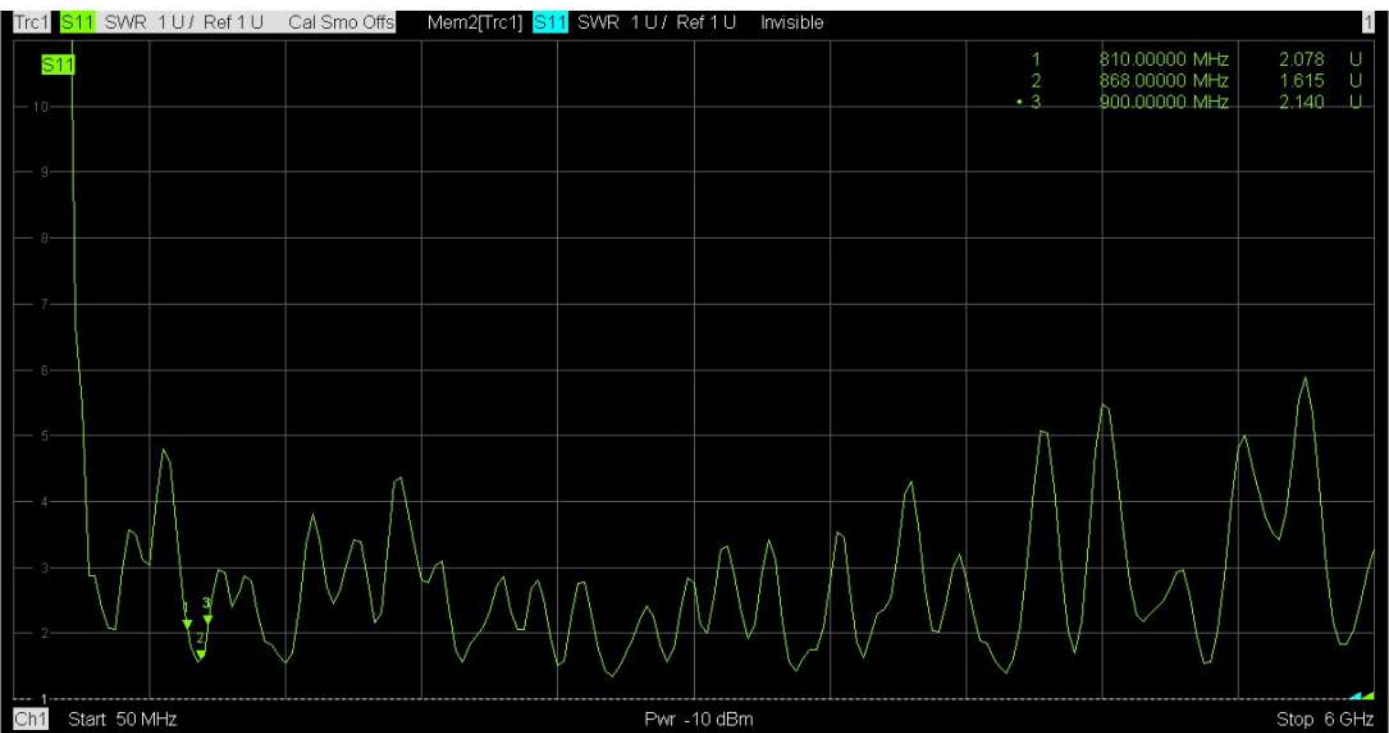
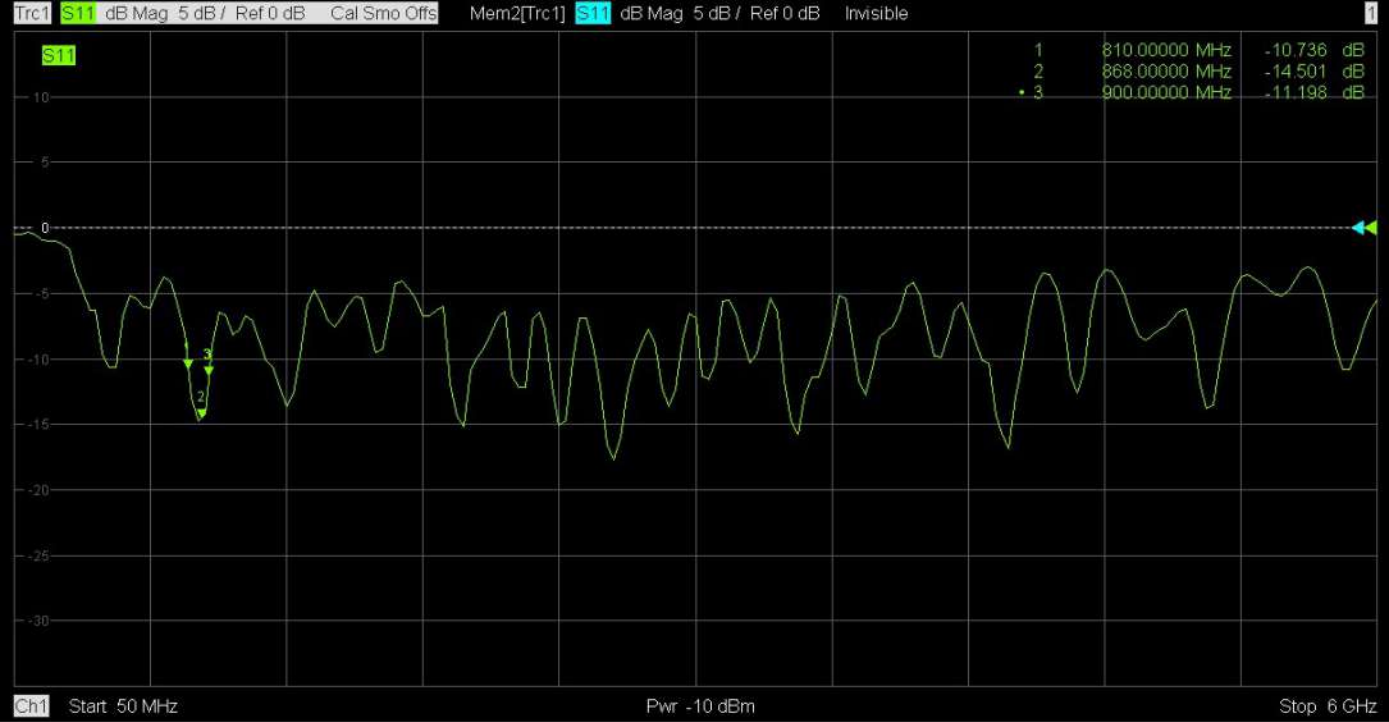
5/8"-24UNEF-2A

22.0
19.0

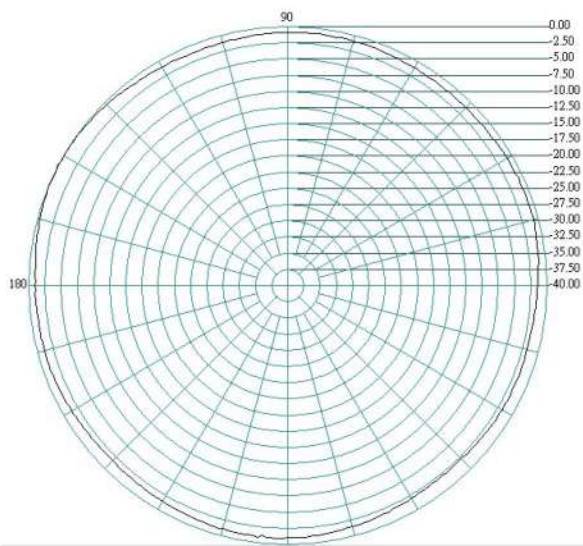
820mm



1	FREQUENCY RANGE : 810-900 MHZ	8	Antenna Connector : N FEMALE
2	GAIN : 6 dBi	9	
3	VSWR : <= 2.0 : 1	10	
4	IMPEDANCE : 50 Ω	11	
5	POLARIZATION : Vertical	12	
6	Dimensions : L820xW19xH19 mm	13	
7	Antenna Type : OMNI		



H-PLANE



E-PLANE

