

## OA-433-01-1

### 433mhz-outdoor-omni-antenna-5db



## Product Specifications

Frequency Range: 433MHz

Antenna Type: OMNI

Gain: 5dBi

VSWR: <1.5

Polarization: Linear Vertical

Maximum Power: 50W

Impedance 50Ω

Lightning Protection: Direct Ground

## Mechanical Specifications

Connector: N FEMALE

Temperature -40°C ~ +80°C

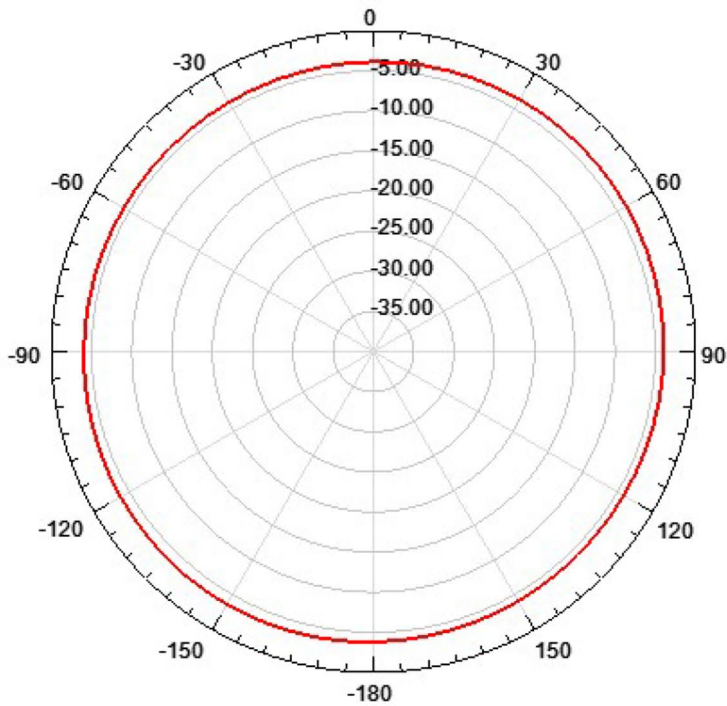
Humidity: 100%@25°C

Radome color: Gray-white

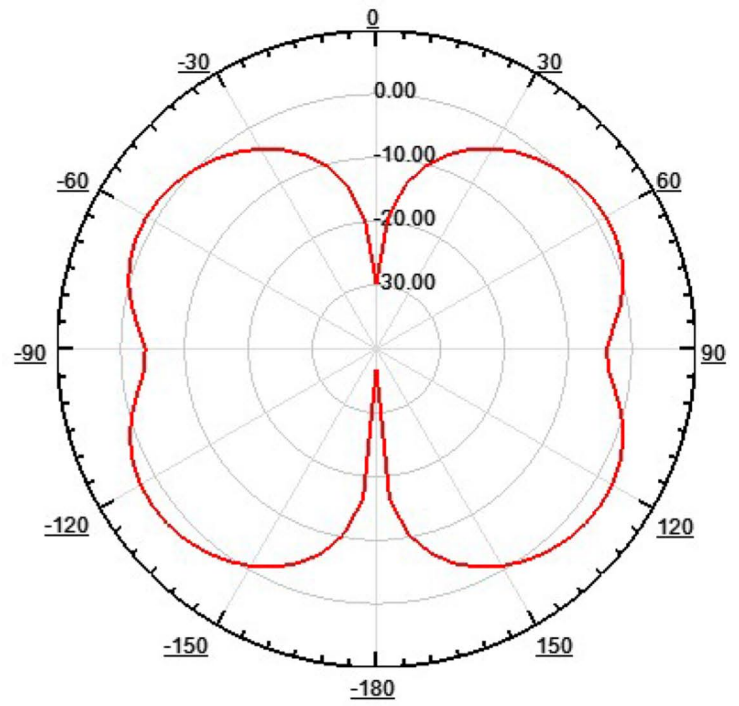
Radome material Fiberglass

Weight + Packing Weight: 500g

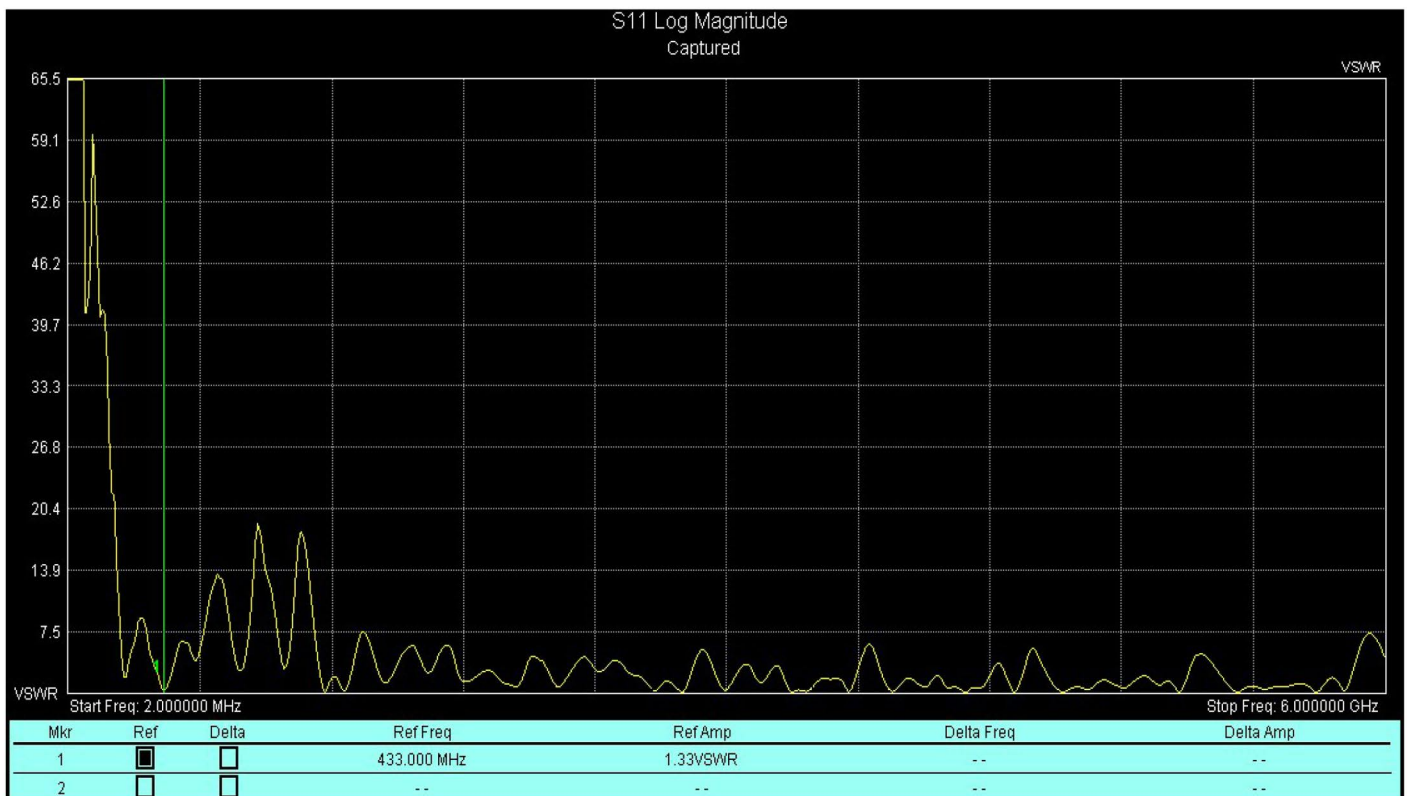
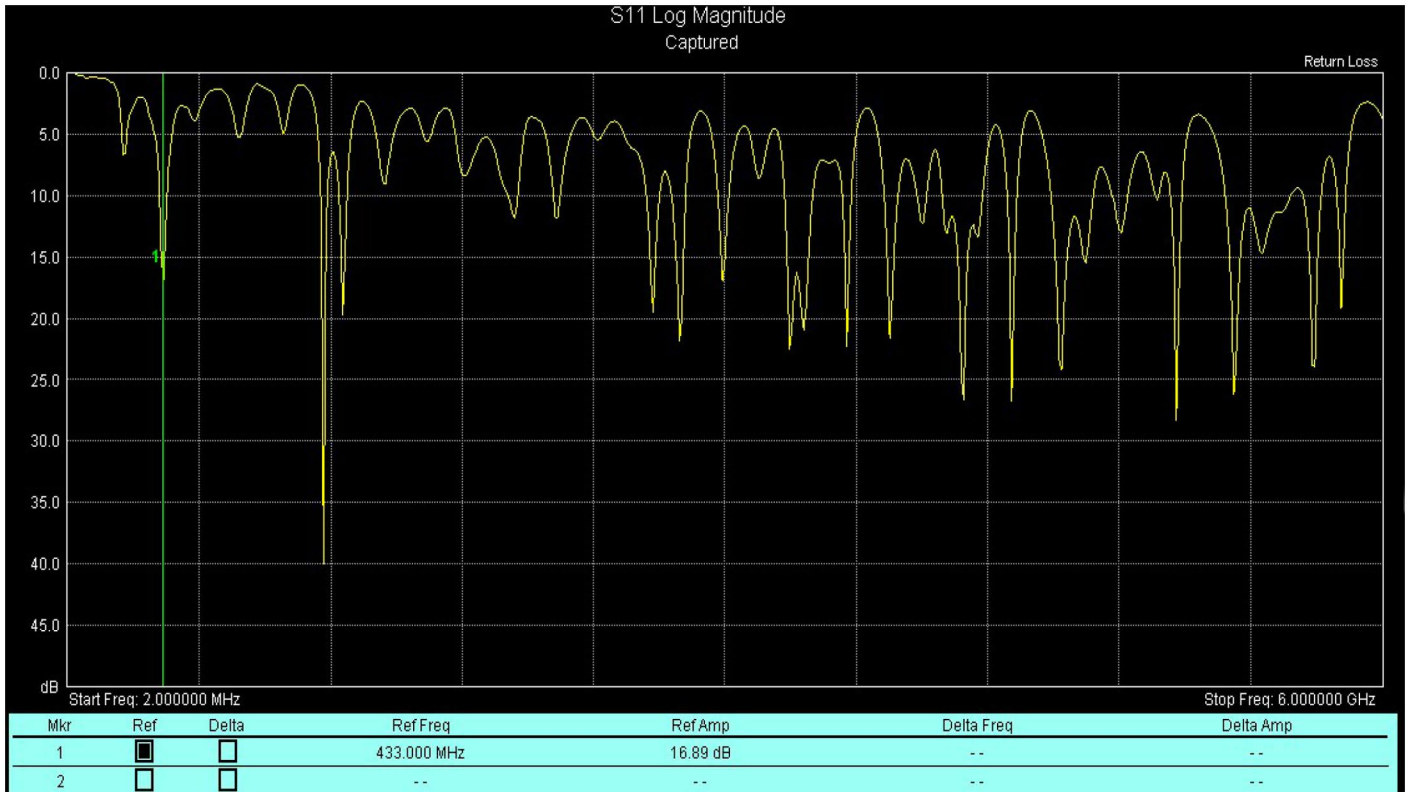
Dimensions L850×W19×H19mm



**H-Plane**

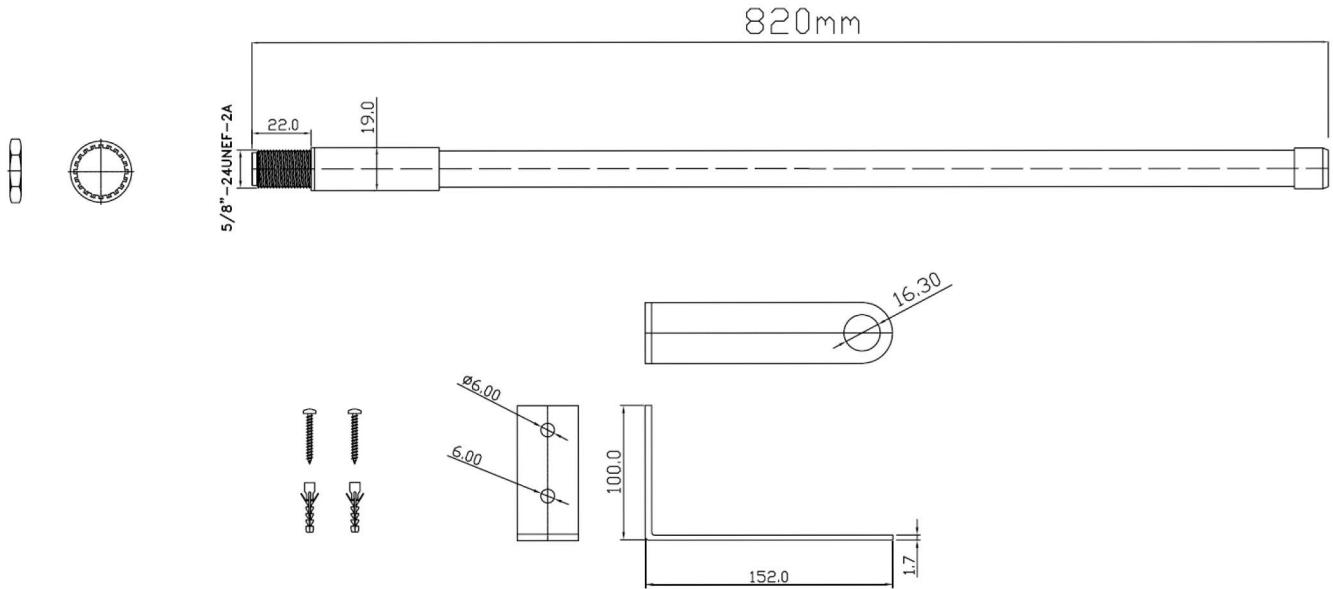


**E-Plane**



QA-433-01-1

433MHz MINI OMNI 5dBi FOR N JACK+L TYPE MOUNT



1	FREQUENCY RANGE : 433MHz	8	Antenna Connector : N FEMALE
2	GAIN : 5 dBi	9	
3	VSWR : < 1.5 : 1	10	
4	IMPEDANCE : 50 Ω	11	
5	POLARIZATION : Vertical	12	
6	Dimensions : L820xW19xH19 mm	13	
7	Antenna Type : OMNI		