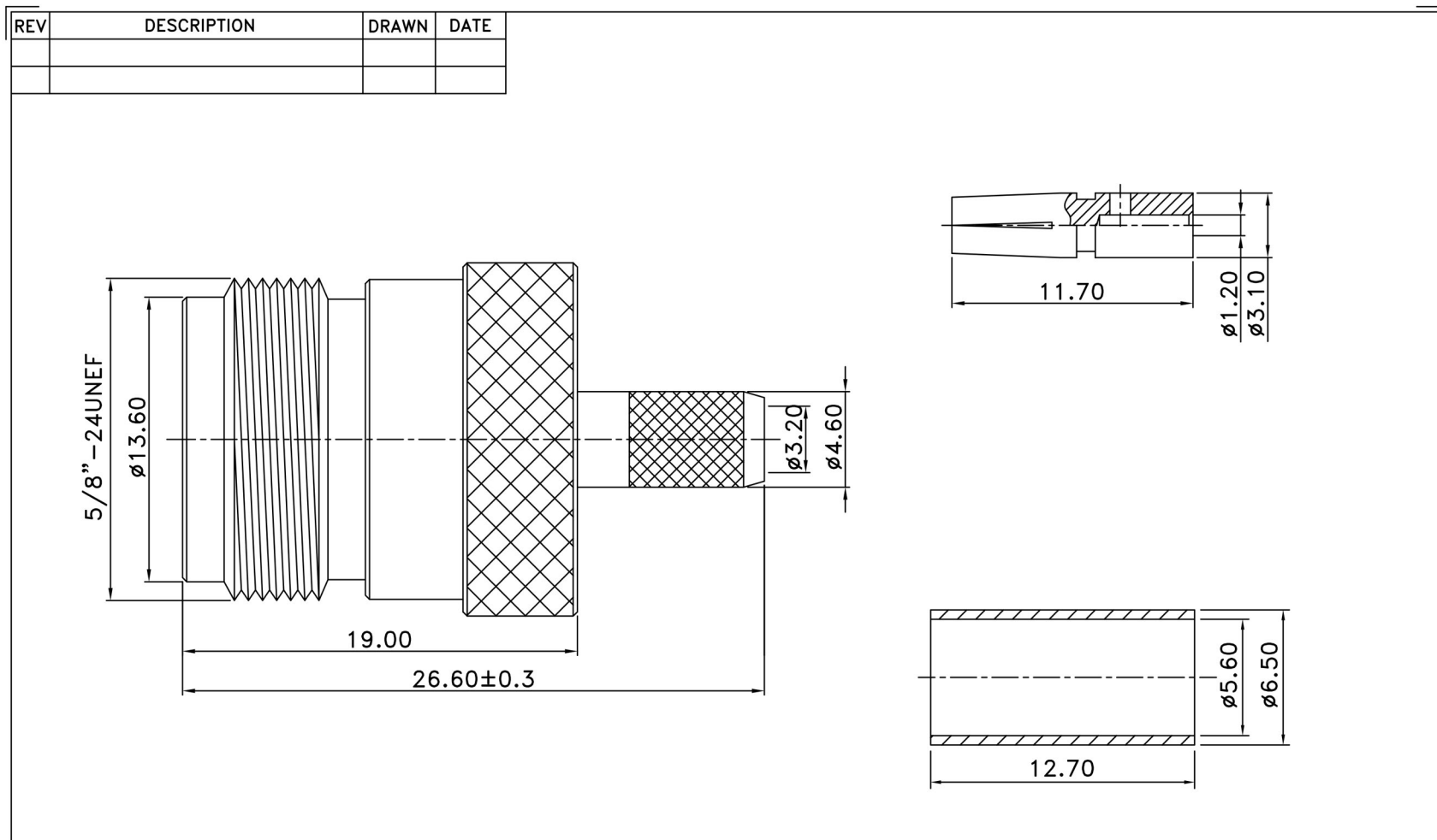




58 Wakis Avenue, Strijdompark, Randburg 2155, Johannesburg
 Tel: +27 11 791 1033 | Fax: +27 11 791 1187 | wireless@otto.co.za | www.otto.co.za

N-14-21-F2-TGN N-Type Jack Inline Crimp for RG58



REV	DESCRIPTION	DRAWN	DATE

5	FERRULE	1	BRASS	NICKEL
4	SLEEVE	1	BRASS	NICKEL
3	DIELECTRIC	1	TEFLON	NONE
2	PIN	1	BRASS	GOLD
1	BODY	1	BRASS	NICKEL
NO	Description	Q'ty	Material	Finish

UNLESS OTHERWISE SPECIFIED		* MAJOR DIMENSION		APPROVED
1. REMOVE ALL BURRS.		UNLESS OTHERWISE NOTED TOLERANCES		CHECKED
2. BREAK ALL CORNERS & EDGES 0.15 MAX.		0.5-6=±0.2		DRAWN andrew
3. CHAMFER 1ST & LAST THREADS 45°		6-30=±0.4		
4. DIAMETERS ON COMMON CENTERS.		30-120=±0.6		
TO BE CONCENTRIC WITHIN 0.1 T.T.R.		120-315=±1.0		
5. ALL DIMENSIONS ARE AFTER PLATING.		ANGLES=±1°		
SCALE	4/1	UNIT	MM	DRAWN DATE 03/07/23

TITLE N FEMALE CRIMP FOR RG58/HDF200	
DRAWING NO. N-14-21-F2-TGN	REV A
FILE NO.	