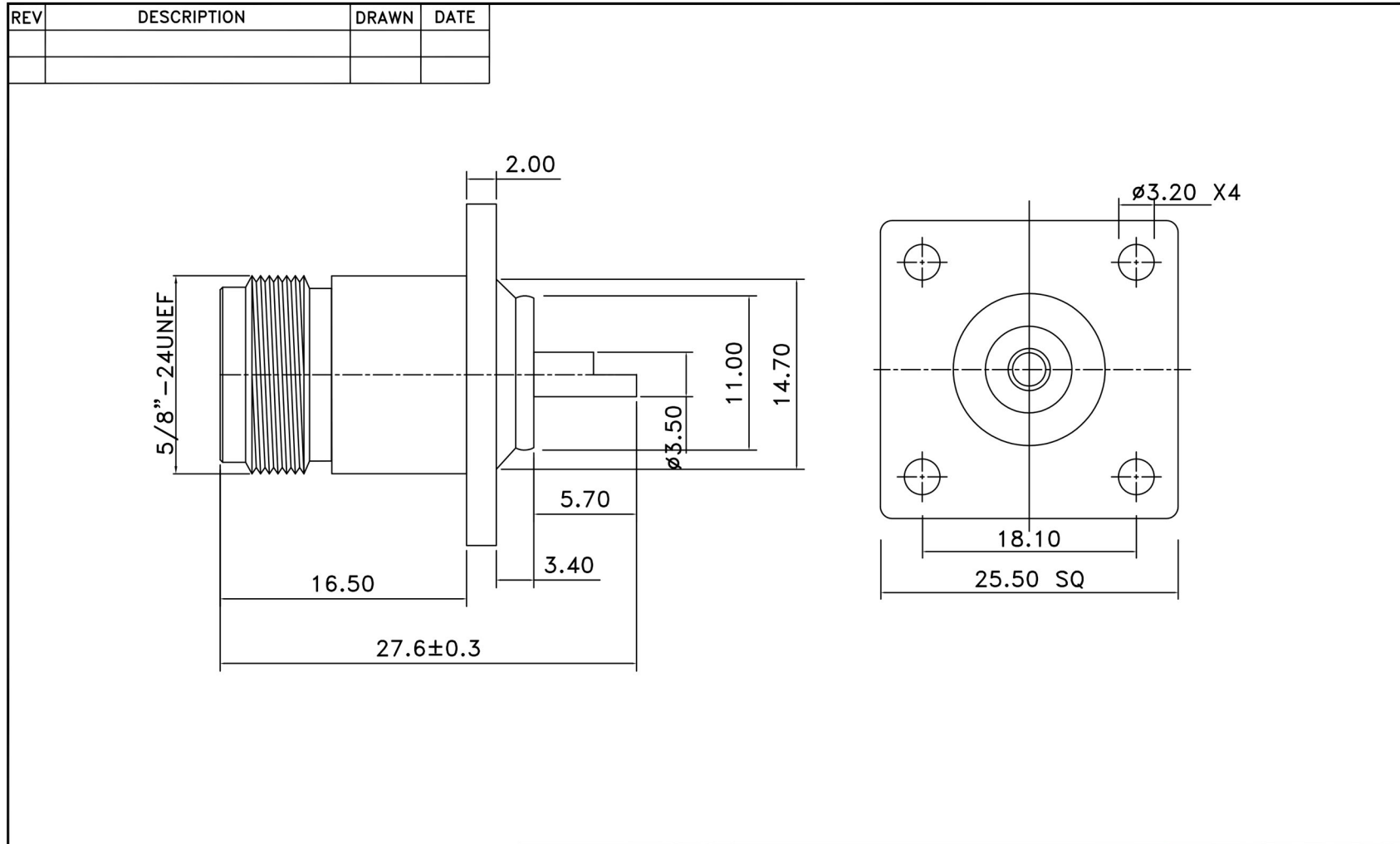




58 Wakis Avenue, Strijdompark, Randburg 2155, Johannesburg
 Tel: +27 11 791 1033 | Fax: +27 11 791 1187 | wireless@otto.co.za | www.otto.co.za

N-14-10-TGN N Type socket solder



4	SLEEVE	1	BRASS	NICKEL	UNLESS OTHERWISE SPECIFIED 1.REMOVE ALL BURRS. 2.BREAK ALL CONNERS & EDGES CO.15 MAX. 3.CHAMFER 1ST & LAST THREADS 45° 4.DIAMETERS ON COMMON CENTERS. TO BE CONCENTRIC WITHIN 0.1 T.T.R. 5.ALL DIMENSIONS ARE AFTER PLATING.	* MAJOR DIMENSION	APPROVED	 CHANG HONG TECHNOLOGY CO., LTD. TITLE N FEMALE PANEL SOLDER DRAWING NO. N-14-10-TGN REV A FILE NO.
3	PIN	1	BRASS	GOLD		UNLESS OTHERWISE NOTED TOLERANCES	CHECKED	
2	INSULATOR	1	TEFLON	NONE		0.5-6=±0.2 6-30=±0.4 30-120=±0.6	DRAWN andrew	
1	BODY	1	BRASS	NICKEL		120-315=±1.0 ANGLES=±1°	DRAWN DATE 01/04/02	
NO	Description	Q'ty	Material	Finish		SCALE 3/1	UNIT MM	