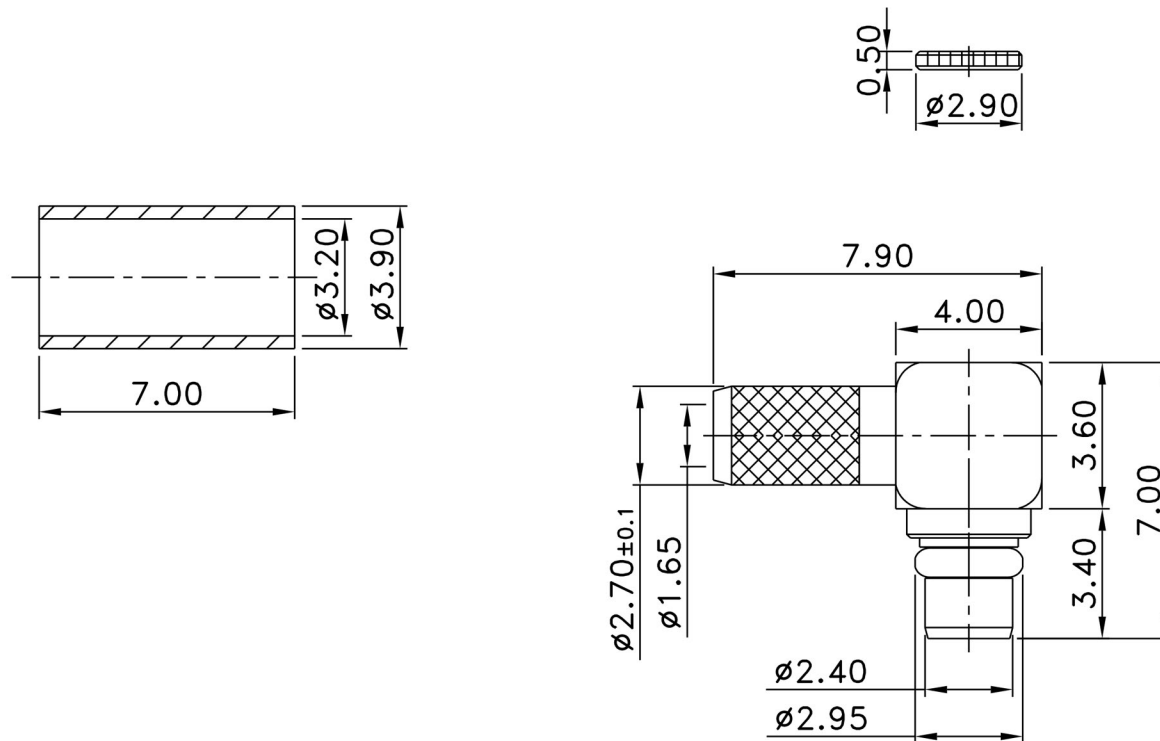




58 Wakis Avenue, Strijdompark, Randburg 2155, Johannesburg
 Tel: +27 11 791 1033 | Fax: +27 11 791 1187 | wireless@otto.co.za | www.otto.co.za

MMCX-03-01-L-TGG MMCX plug right angle crimp for RG174

REV	DESCRIPTION	DRAWN	DATE



6	CAP	1	BRASS	GOLD
5	RETAINING RING	1	BERYLLIUM	GOLD
4	FERRULE	1	BRASS	GOLD
3	DIELECTRIC	1	TEFLON	NONE
2	PIN	1	PHOS BRONZE	GOLD
1	BODY	1	BRASS	GOLD
NO	Description	Q'ty	Material	Finish

UNLESS OTHERWISE SPECIFIED 1.REMOVE ALL BURRS. 2.BREAK ALL CONNERS & EDGES CO.15 MAX. 3.CHAMFER 1ST & LAST THREADS 45° 4.DIAMETERS ON COMMON CENTERS. TO BE CONCENTRIC WITHIN 0.1 T.T.R. 5.ALL DIMENSIONS ARE AFTER PLATING.	* MAJOR DIMENSION	APPROVED
	UNLESS OTHERWISE NOTED TOLERANCES 0.5-6=±0.2 6-30=±0.4 30-120=±0.6 120-315=±1.0 ANGLES=±1°	CHECKED
	SCALE 6/1 UNIT MM	DRAWN andrew
		DRAWN DATE 03/06/10

 CHANG HONG TECHNOLOGY CO., LTD.	
TITLE MMCX MALE R/A CRIMP FOR RG174	
DRAWING NO. MMCX-03-01-L-TGG	REV A
FILE NO.	