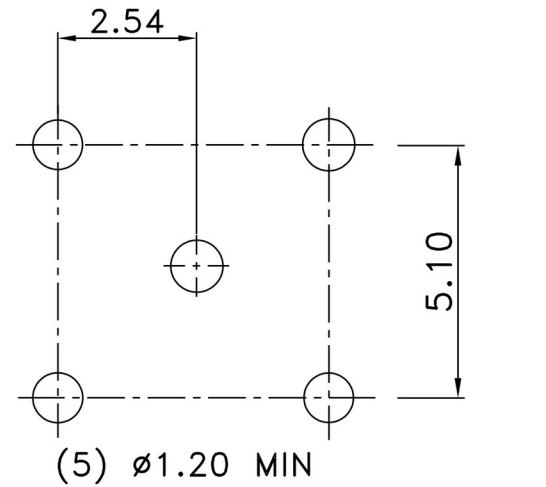
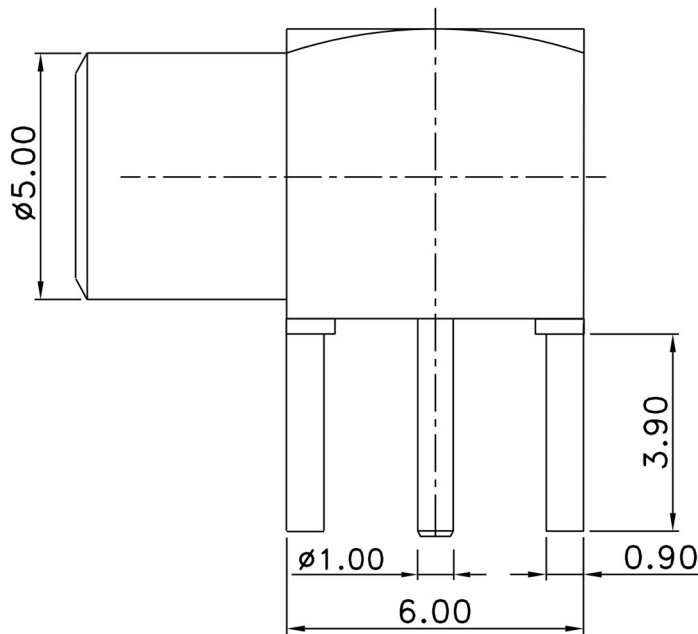




58 Wakis Avenue, Strijdompark, Randburg 2155, Johannesburg
 Tel: +27 11 791 1033 | Fax: +27 11 791 1187 | wireless@otto.co.za | www.otto.co.za

MCX-06-04-TGG MCX jack right angle PCB

REV	DESCRIPTION	DRAWN	DATE



5	INSULATOR	1	TEFLON	NONE	UNLESS OTHERWISE SPECIFIED 1.REMOVE ALL BURRS 2.BREAK ALL CONNERS & EDGES CO.15 MAX. 3.CHAMFER 1ST & LAST THREADS 45° 4.DIAMETERS ON COMMON CENTERS. TO BE CONCENTRIC WITHIN 0.1 T.I.R. 5.ALL DIMENSIONS ARE AFTER PLATING.	* MAJOR DIMENSION		APPROVED		 CHANG HONG TECHNOLOGY CO., LTD.
4	INSULATOR	1	TEFLON	NONE		UNLESS OTHERWISE NOTED TOLERANCES	CHECKED		TITLE	
3	BODY	1	BRASS	GOLD		0.5-6=±0.2	DRAWN		MCX JACK R/A P.C.B MOUNT	
2	PIN	1	Be Cu	GOLD		6-30=±0.4	andrew		DRAWING NO.	
1	BODY	1	BRASS	GOLD		30-120=±0.6	DRAWN DATE 03/06/13		MCX-06-04-TGG	
NO	Description	Qty	Material	Finish	SCALE	5/1	UNIT	MM	REV	A