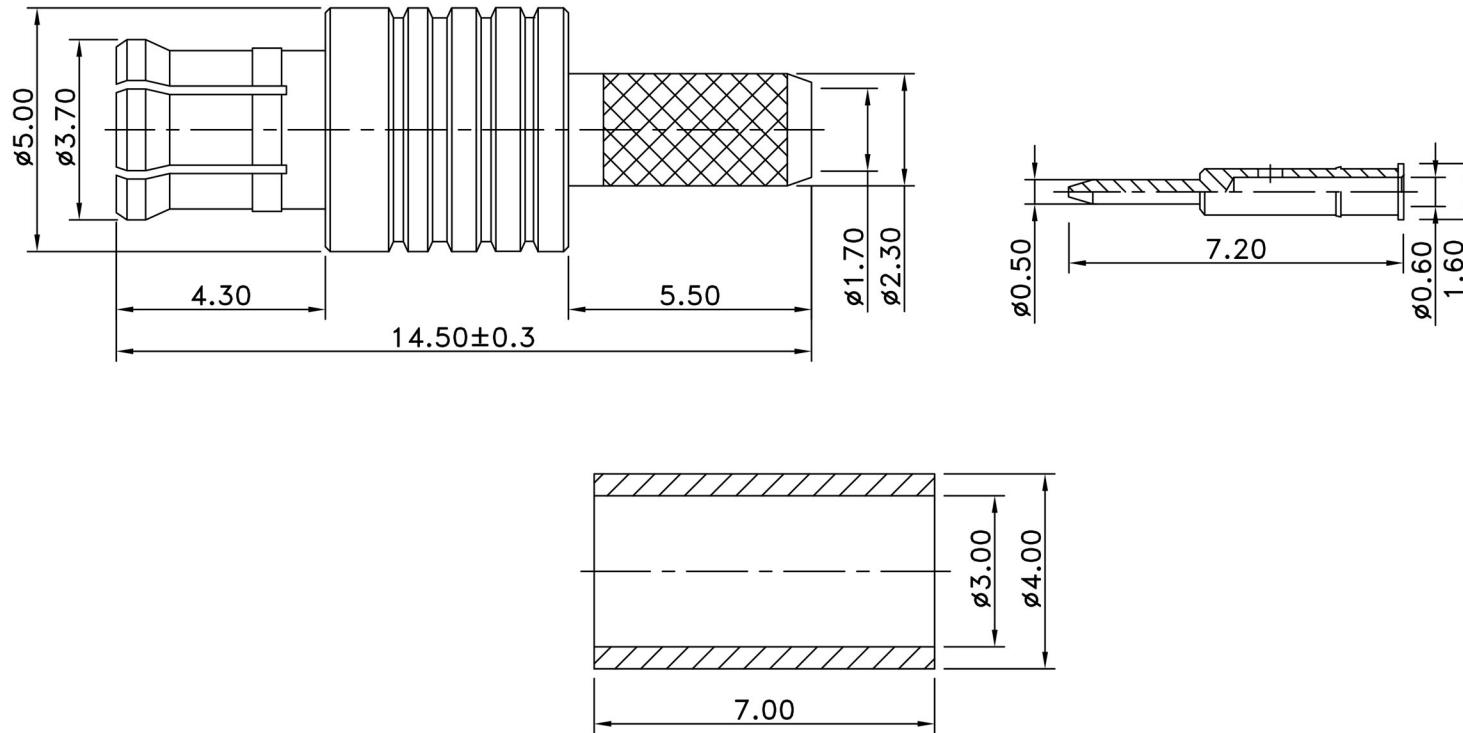




58 Wakis Avenue, Strijdompark, Randburg 2155, Johannesburg
 Tel: +27 11 791 1033 | Fax: +27 11 791 1187 | wireless@otto.co.za | www.otto.co.za

MCX-05-07-M-TGG MCX plug straight crimp for RG178

REV	DESCRIPTION	DRAWN	DATE



5	FERRULE	1	BRASS	GOLD	UNLESS OTHERWISE SPECIFIED 1.REMOVE ALL BURRS. 2.BREAK ALL CONNERS & EDGES CO.15° MAX. 3.CHAMFER 1ST & LAST THREADS 45° 4.DIAMETERS ON COMMON CENTERS. TO BE CONCENTRIC WITHIN 0.1 TIR. 5.ALL DIMENSIONS ARE AFTER PLATING.	* MAJOR DIMENSION UNLESS OTHERWISE NOTED TOLERANCES 0.5-6=±0.2 6-30=±0.4 30-120=±0.6 120-315=±1.0 ANGLES=±1°	APPROVED	 CHANG HONG TECHNOLOGY CO., LTD.	TITLE	MCX MALE CRIMP FOR RG174		
4	PIN	1	BRASS	GOLD			CHECKED		DRAWING NO.		REV	
3	BODY 2	1	BRASS	GOLD			andrew		DRAWN		A	
2	INSULATOR	1	TEFLON	NONE					DRAWN DATE 03/07/11		MCX-05-01-L-TGG	FILE NO.
1	BODY 1	1	Be Cu	GOLD					SCALE 8/1		UNIT MM	
NO	Description	Q'ty	Material	Finish								