

JCG601 GSM Antenna



Product Specifications

Antenna

Frequency Range: 824~960/1710~2170MHz

Polarization: Linear

Gain 2dBi: (Zenith)

V.S.W.R: <2.0

Impedance: 50Ω

Mechanical

Cable: RG174 or others

Connector: SMA or others

Radome Material: ABS

Mounting:Method: Screw

Environmental

Operating Temperature: -40°C ~ +85°C

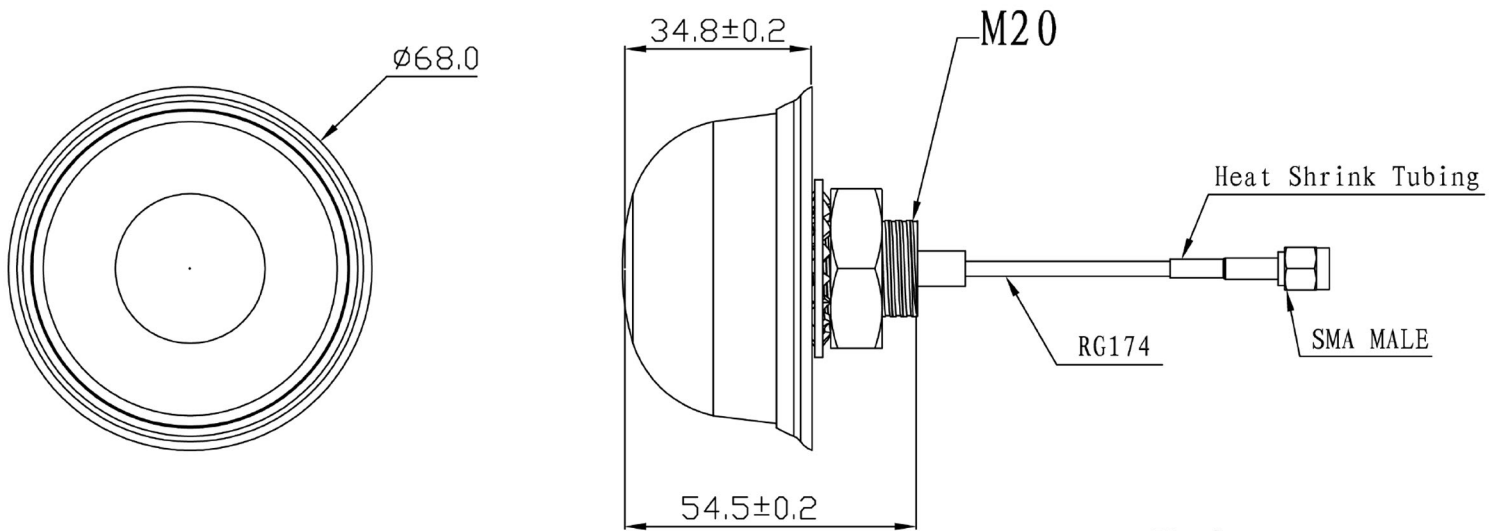
Relative Humidity: Up to 95%

Ingress Protection: IP67 (exclude cable outlet)

Vibration: 10 to 55Hz with 1.5mm amplitude 2 hours

Environmentally Friendly: ROHS Compliant

Dimensions



Unit: mm

Radiation Pattern

