

JCG015KZW

GSM Antenna



Product Specifications

Antenna

Frequency Range: 824~960 / 1710~2170MHz

Polarization: Linear

Gain: 3dBi (Zenith)

V.S.W.R (min): <2.5

Impedance: 50Ω

Connector: SMA male (other types on request)

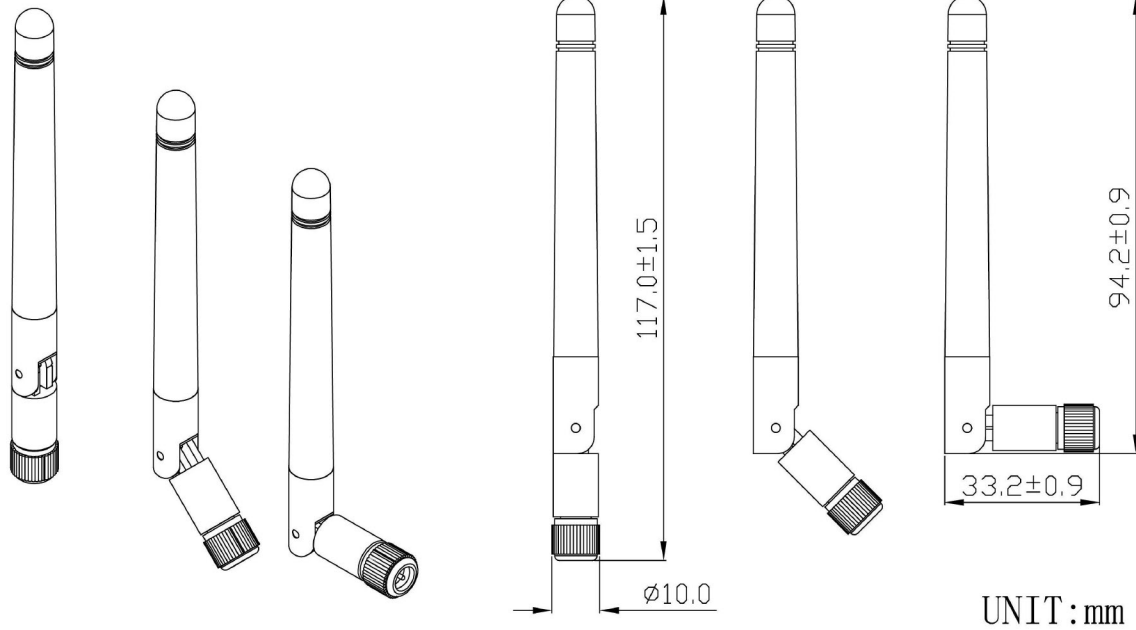
Environmental

Operating Temperature: -40°C ~ +85°C

Vibration: 10 to 55Hz with 1.5mm amplitude 2hours

Environmentally Friendly: ROHS Compliant

Dimensions



Radiation Pattern

