

JCB601

GPS + GSM Combination Antenna



Product Specifications

GPS Antenna Specifications

Dialectric Antenna

Center Frequency: 1575.42±1MHz

Band Width: CF±5MHz

Polarization: RHCP

Gain 2dBic: (Zenith)

V.S.W.R: <1.5

Impedance: 50Ω

Axial Ratio: 3dB (max)

GSM Antenna Specifications

Frequency Range: 824~960MHz/1710~2170MHz

V.S.W.R: <2.0

Polarization: Linear

Gain: 2.0dBi

Impedance: 50Ω

Mechanical

Cable RG174

Connector: SMA/MCX/FAKRA or others

Material Radome: ABS/Base: Cast Aluminum

Mounting Method: Screw

LNA

Gain: 28±2dB

Noise Figure: <1.5

Ex-band Attenuation: 12dB@CF+50MHz/16dB@CF-50MHz

V.S.W.R: <2.0

Supply Voltage: 2.2~5VDC

Current Consumption: 5~15mA

Environmental

Operating Temperature: -40°C~+85 24°C

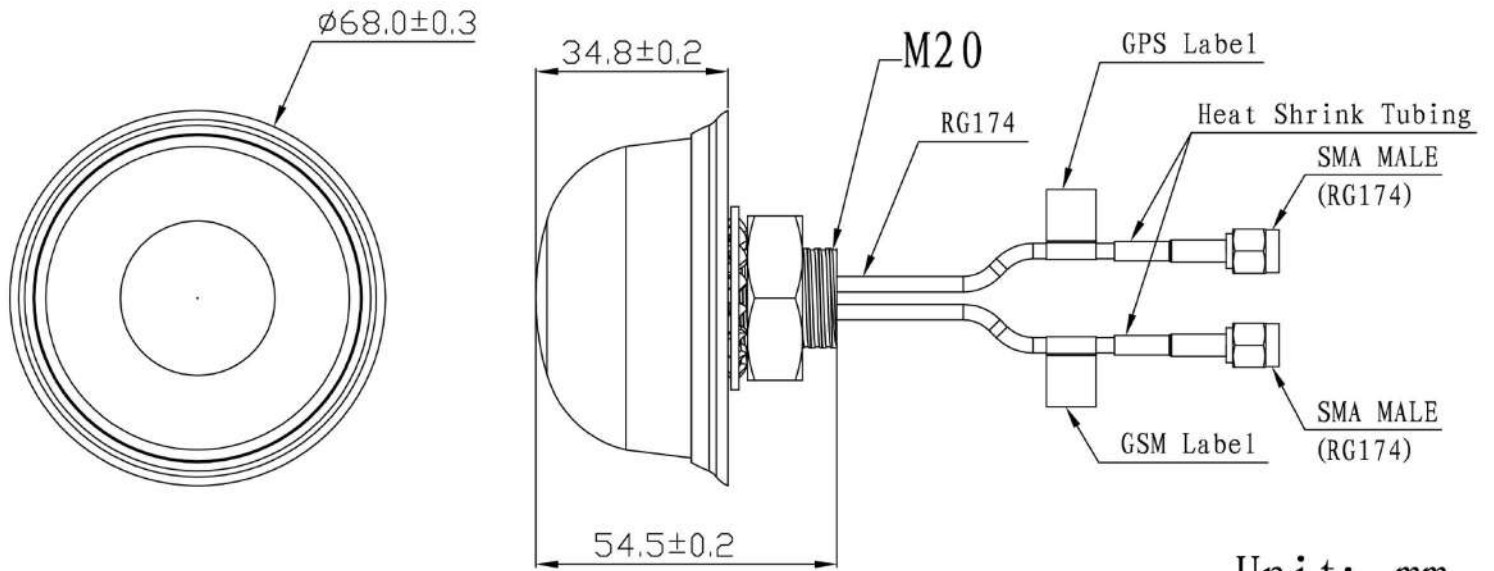
Relative Humidity: Upto 95%

Ingress Protection: IP67 (exclude cable outlet)

Vibration: 10 to 55Hz with 1.5mm amplitude 2 hours

Environmentally Friendly: ROHS Compliant

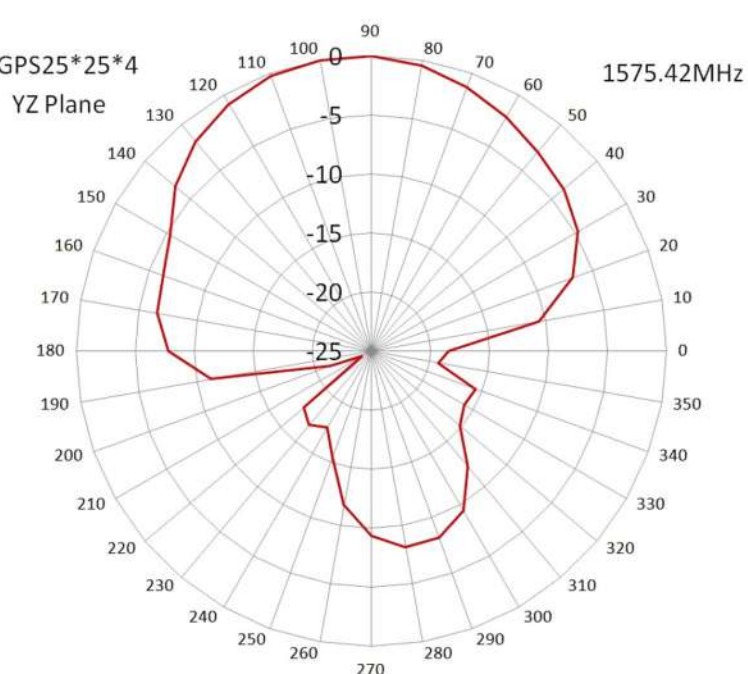
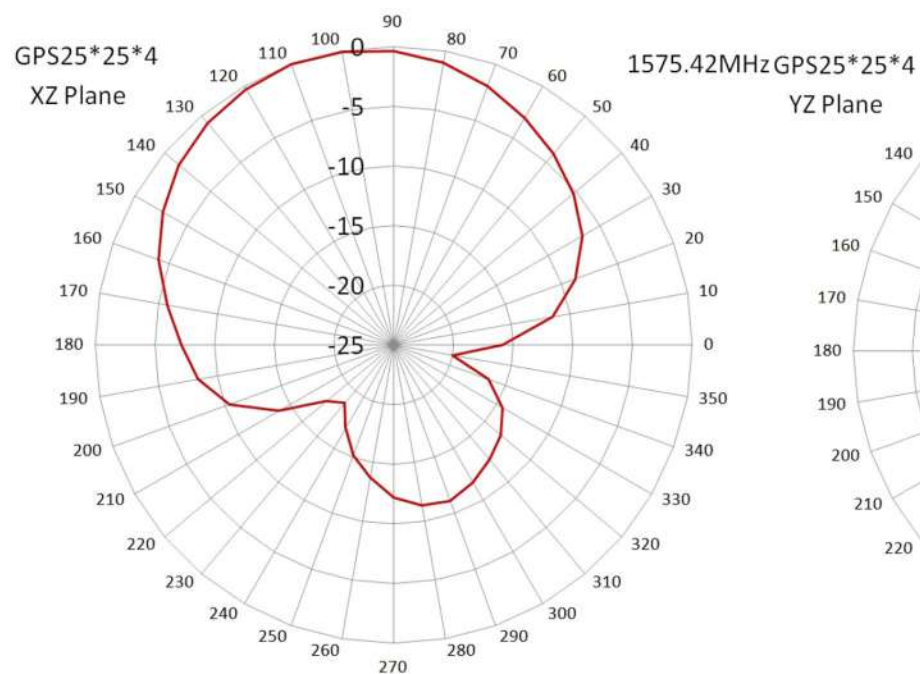
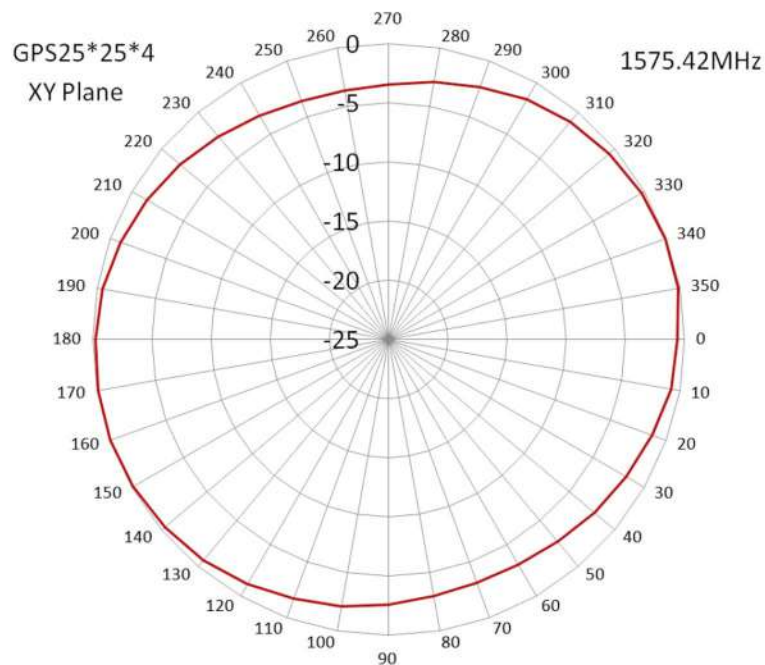
Dimensions



Unit: mm

Radiation Pattern

GPS Antenna



Radiation Pattern

GSM Antenna

