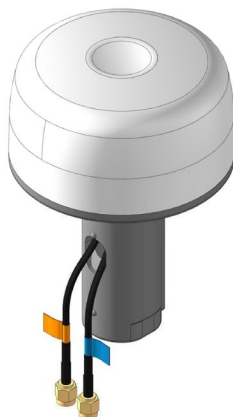


## JCB005

### GPS + GSM Combination Antenna



## Product Specifications

### GPS Antenna Specifications

#### Dielectric Antenna

Center Frequency: 1575.42±1MHz

Band Width: CF±5MHz

Polarization: RHCP

Gain: 5dBic (Zenith)

V.S.W.R: <1.5

Impedance: 50Ω

Axial Ratio: 3dB (max)

#### LNA

Gain: 28±2dB

Noise Figure: <1.5dB

V.S.W.R: <2.0

Supply Voltage: 2.2~5VDC

Current Consumption: 5~15mA

### GSM Antenna Specifications

Frequency Range: 824~960MHz/1710~2170MHz

V.S.W.R: <2.0

Polarization: Linear

Gain: 2dBi

Impedance: 50Ω

### Mechanical

Cable: RG174

Connector: SMA/MCX/FAKRA or others

RadomeMaterial: ABS

Mounting Method:Screw

### Environmental

Operating Temperature: -40°C~+85°C

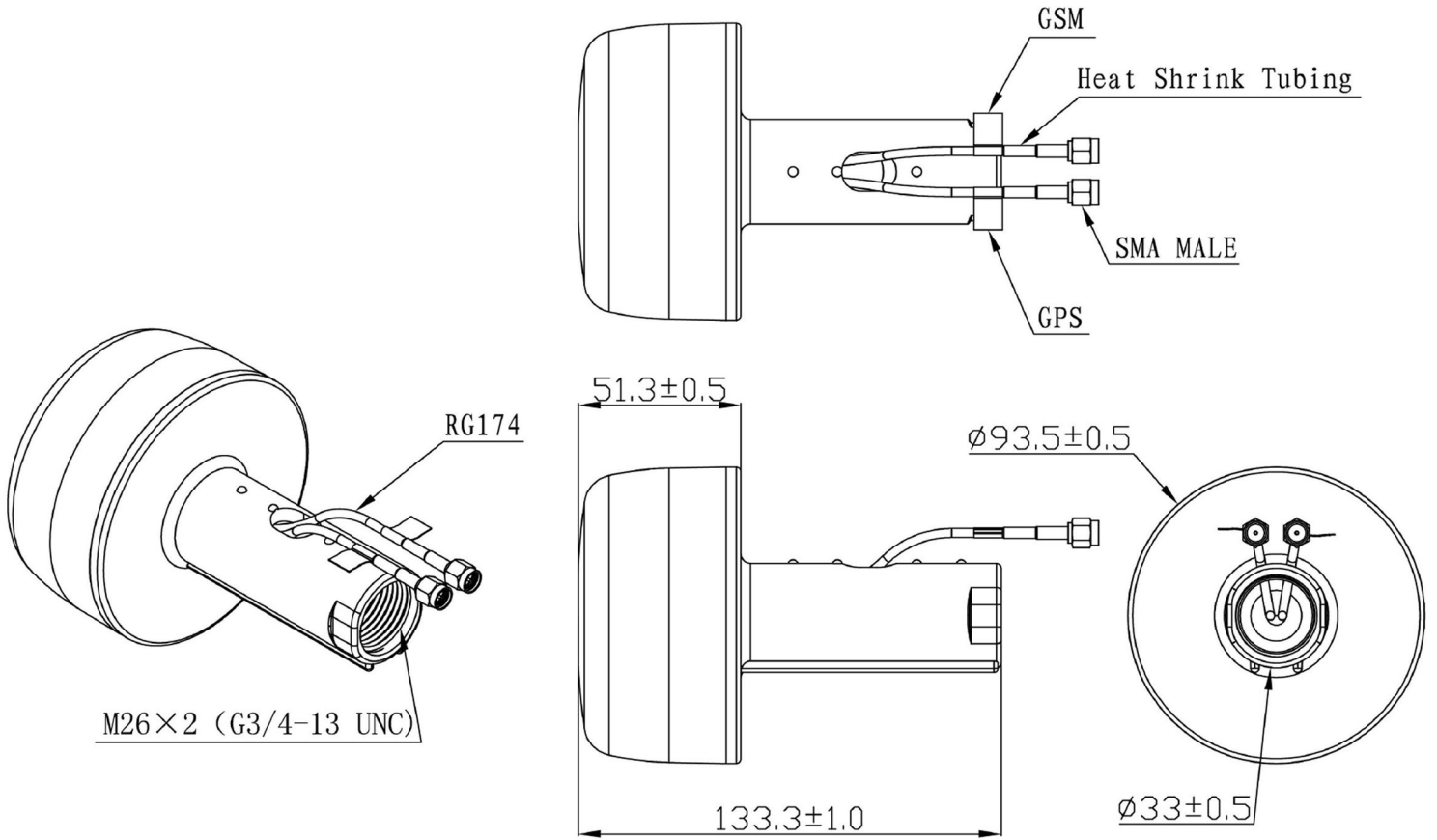
Relative Humidity: Up to 95%

Ingress Protection: IP67 (exclude cable outlet)

Vibration: 10 to 55Hz with 1.5mm amplitude 2hours

Environmentally Friendly: ROHS Compliant

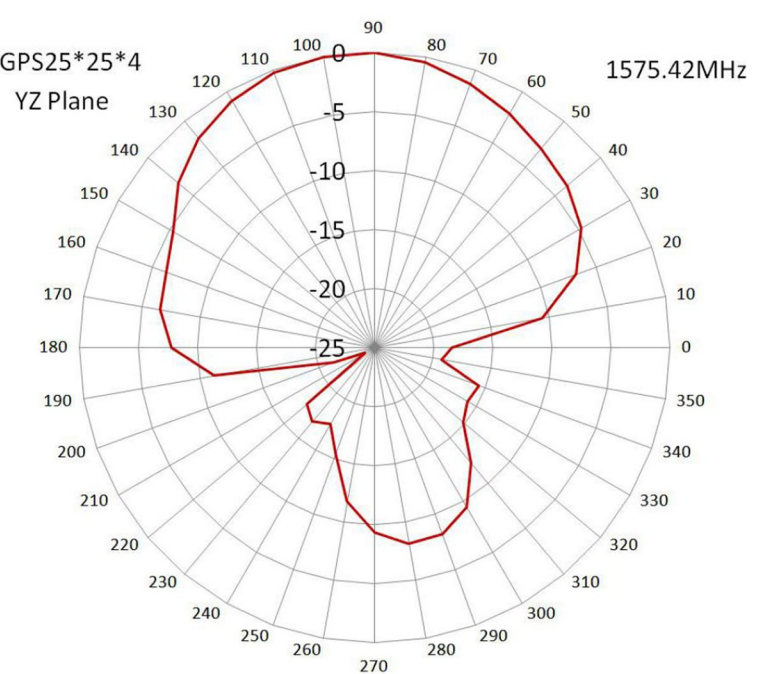
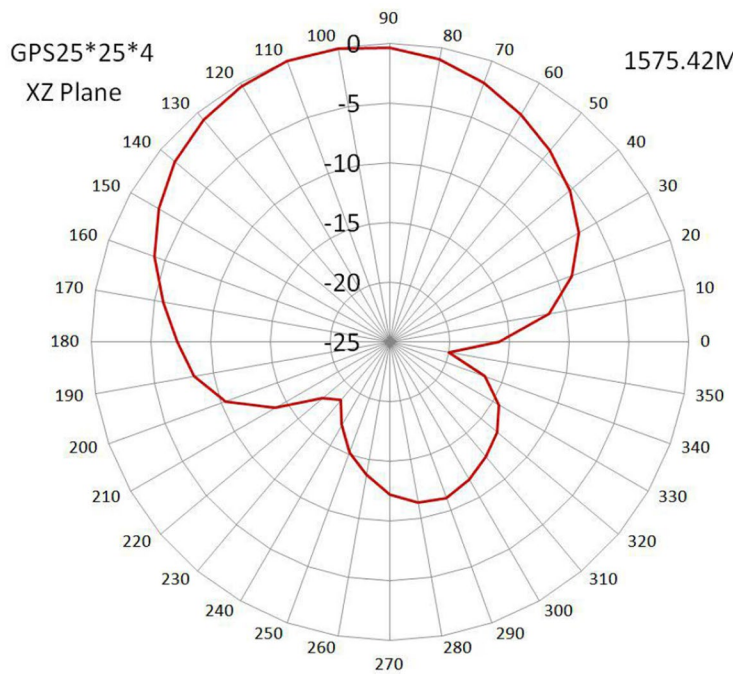
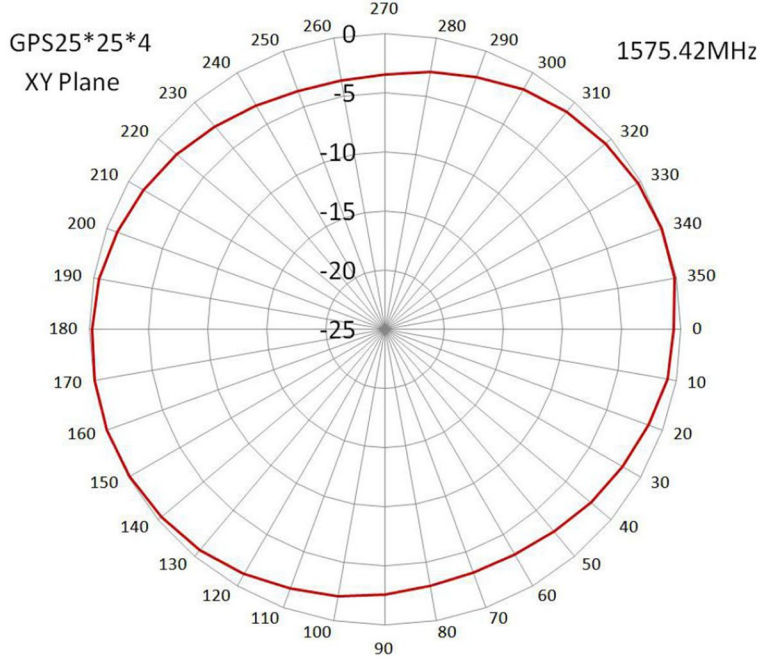
## Dimensions



Unit: mm

# Radiation Pattern

## GPS Antenna





# Radiation Pattern

## GSM Antenna

