

JCA601

GPS Active Antenna



Product Specifications

Antenna

Center Frequency: 1575.42±1MHz

Band Width: CF±5MHz

Polarization: RHCP

Gain 2dBic: (Zenith)

V.S.W.R: <1.5

Impedance: 50Ω

Axial Ratio: 3dB (max)

Dimension: 25*25*4mm

LNA

Gain: 28 ± 2dB

Noise Figure: <1.5

Filter Insertion Loss: <3dB

Ex-band Attenuation: 12dB@CF+50MHz/16dB@CF-50MHz

Supply Voltage: 2.2~5VDC

Current Consumption: 5~15mA

V.S.W.R: <2.0

Mechanical

Cable: RG174 or others

Connector: SMA/MCX/FAKRA or others

Radome Material: ABS

Mounting Method: Screw

Environmental

Operating Temperature: -40°C ~ +85°C

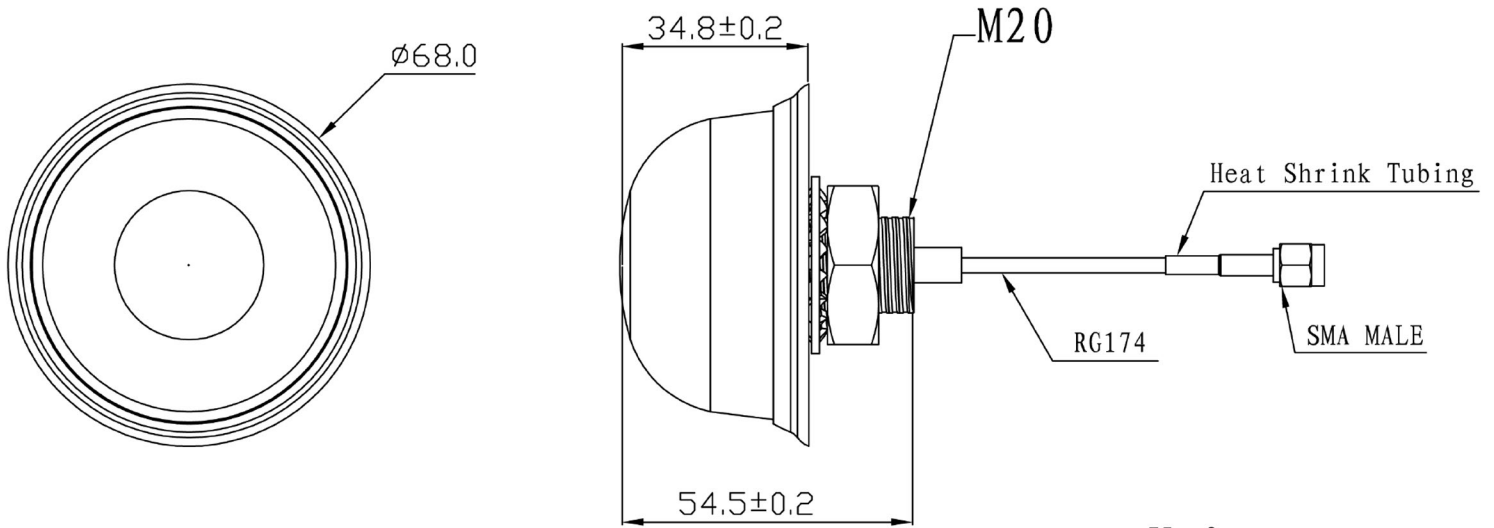
Relative Humidity: Up to 95%

Ingress Protection: IP67 (exclude cable outlet)

Vibration: 10 to 55Hz with 1.5mm amplitude 2hours

Environmentally Friendly: ROHS Compliant

Dimensions



Unit: mm

Radiation Pattern

