

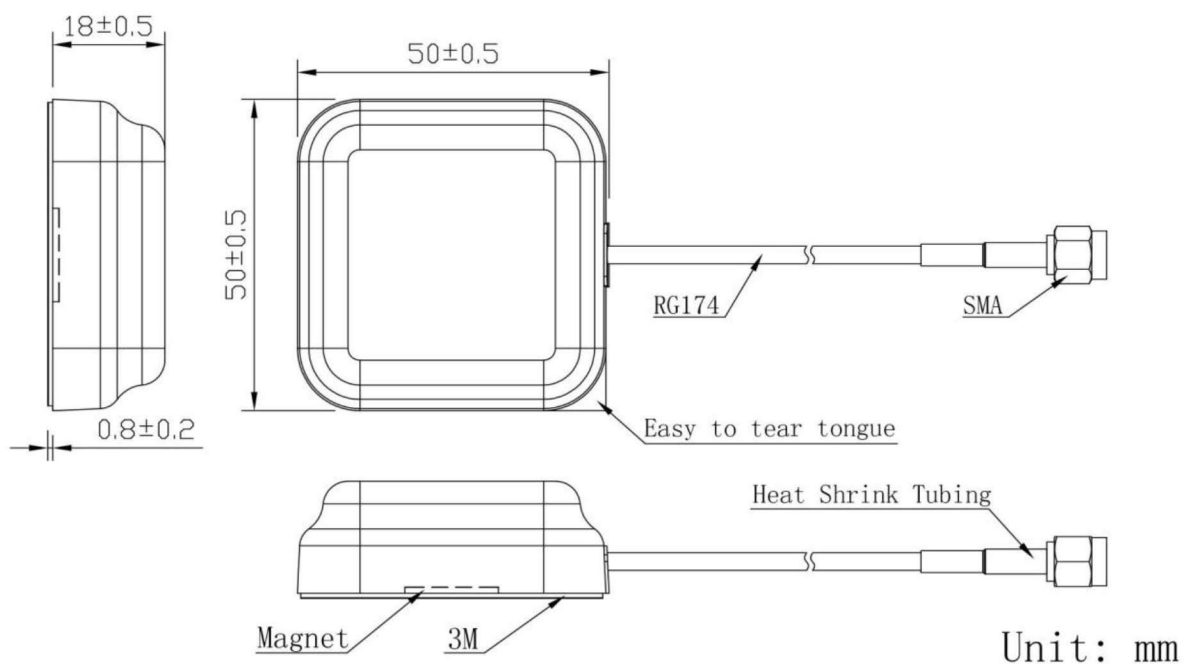


wireless@otto.co.za • +27 11 791 1033
OFFICIAL SOUTH AFRICAN DISTRIBUTOR

Dual Band High Accuracy GNSS Active Antenna JCA236S



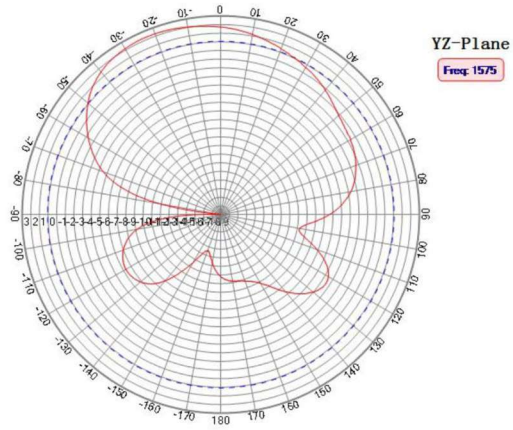
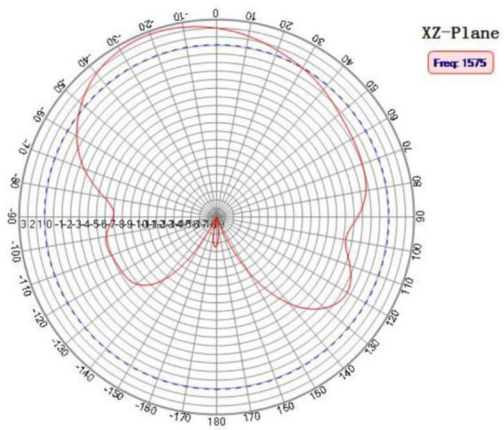
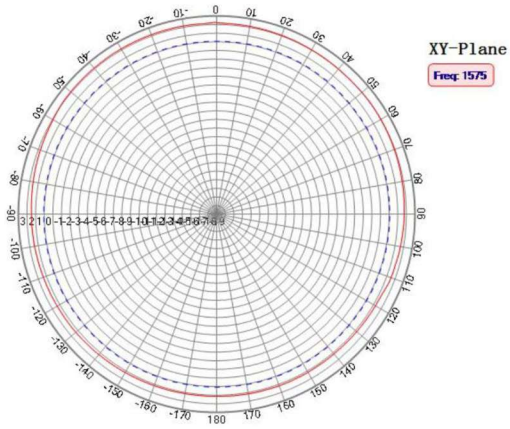
DIMENSIONS



SPECIFICATIONS

Item		Specifications
Antenna(2 layers)	Frequency Range	High Band BDS-B1/GPS-L1/GLONASS-G1:1561.098~1602MHz Low Band GPS-L5:1176MHz
	Polarization	RHCP
	Gain	3dBic@PCB (Zenith)
	V.S.W.R	<1.5
	Impedance	50Ω
LNA	Gain	28±2dB
	Noise Figure	≤1.0dB
	Supply Voltage	3~5V DC
	Current Consumption	<45mA
	V.S.W.R	<2.0
Mechanical	Cable	RG174/3m
	Connector	SMA male
	Radome Material	ABS
	Mounting Method	Magnet/Adhesive
Environmental	Operating Temperature	-40℃~+85℃
	Relative Humidity	Up to 95%
	Ingress Protection	IP67
	Vibration	10 to 55Hz with 1.5mm amplitude 2hours
	Environmentally Friendly	ROHS Compliant

GPS L1 BAND



GPS L5 BAND

