

JCA005

GPS Active Navigation Antenna



Product Specifications

Antenna

Center Frequency: 1575.42±1MHz

Band Width: CF±5MHz

Polarization: RHCP

Gain 5dBic: (Zenith)

V.S.W.R: <1.5

Impedance: 50Ω

LNA

Gain: 42±2dB

Noise Figure: <1.3

Filter Insertion Loss: <3dB

Ex-band Attenuation: 12dB@CF+50MHz/16dB@CF-50MHz

Supply Voltage: 3~5V DC

Current Consumption: 18~35mA

V.S.W.R: <2.0

Mechanical

Cable: RG58 or others

Connector: N or others

Radome Material: ABS

Mounting Method: Screw

Environmental

Operating Temperature: -40°C ~ +85°C

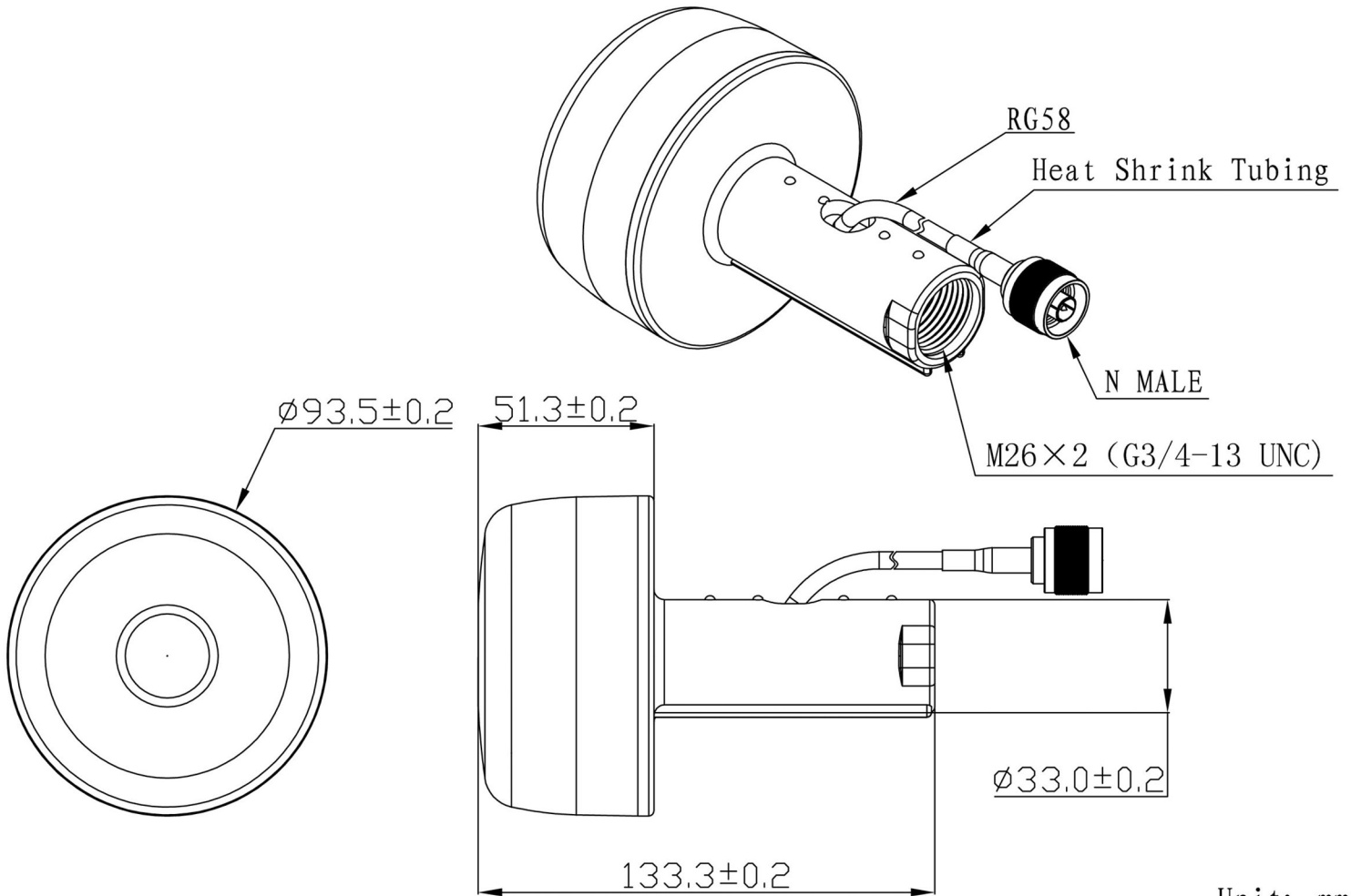
Relative Humidity: Up to 95%

Ingress Protection: IP67

Vibration: 10 to 55Hz with 1.5mm amplitude 2hours

Environmentally Friendly: ROHS Compliant

Dimensions



Unit: mm

Radiation Pattern

