



wireless@otto.co.za • +27 11 791 1033

OFFICIAL SOUTH AFRICAN DISTRIBUTOR

# Product Specification

## for Polymer Lithium-ion Batteries

### 聚合物锂离子电池产品规格书

Model Number: 923460P-2300mAh

产品型号: 923460P-2300mAh

Prepared By 编制	Verified By 审核	Approved By 批准

Customer Approval 客户方确认	Signature 签署	Date 日期
	Company name: 公司名称	
	Company Stamp: 盖章	

Version 版本号	Date 更改时间	Event 更改内容
A/0	2023-7-12	设计输出

## 1. Scope 适用范围

This description defines the general requirements for the battery's rating parameter, electrical requirement, safety requirement, environmental compatibility, test and judgment, usage instructions, safety regulation, quality evaluation and packaging, marking, storage, shipment and handling, which cellular phone battery with 923460P rechargeable battery cell, adapted for 923460P Digital products.

本规格书描述电池之标称参数、电气特性、安全性能、环境适应性及其实验和判定、使用说明和安全规程、质量评定及包装、标志、贮存、运输等。适用于采用 923460P 电芯制成的配套电池。

## 2. Adopted Standard 引用标准

GB31241-2014 Portable electronic products with lithium ion batteries and battery safety requirements

GB31241-2014 便携式电子产品用锂离子电池和电池组安全要求。

## 3. Electrical Characteristics 电气特性

No 序号	Item 内容	Parameter 参数	Remark 备注
1	Rating Voltage 标称电压	3.7V	

2	Capacity 标称容量	Min: 2300mAh 最小: 2300mAh	According to the standard charging after full charge, constant current discharge 0.2C <sub>5</sub> A to 3.0V. 按标准充电方式充满电后, 以 0.2C <sub>5</sub> A 恒流放电到 3.0V
3	Charge Voltage 充电电压	4.2V	
5	Impedance 内阻	160mΩ (Max)	
6	Charging Mode 充电方式	C.C/C.V. 恒流/恒压方式	Constant Current /Constant Voltage 恒流/恒压 视电池电压转换
7	Charging Method 充电方法	Standard Charging 0.2C 标准充电 0.2C	460mA (0.2C)
		Maximum Constant Charging Current 最大持续充电电流	2300mA (1C)
8	Maximum Continuous Discharging Current 最大持续放电电流	2300mA (1C)	
9	Charging Time 充电时间	Standard Charging 标准充电 (0.2C)	6.5Hours
		Fast Charging 快速充电 (1C)	3.5Hours
10	End of Discharge Voltage 放电截止电压	3.0V	
11	Overcharge Voltage 过充电保护电压	4.28±0.03V	When single cell voltage reaches 4.28V stop charging. 当有单节电芯电压高于 4.28V 时, 停止充电。
12	Over Discharge Cut Off Voltage 过放电保护电压	3.00 ± 0.05V	When single cell voltage 3.00V, stop discharging 当有单节电芯电压低于 3.00V 时, 停止放电。
13	Over Current 过电流保护	1-3A	
14	Short Circuit 输出短路保护	Recover after removing the short circuit load 保护后撤销短路负载恢复	

15	Operating Current 工作消耗电流	Consumption 7uA (Max)	
16	Operating Temperature 工作温度	Charging 充电	5~45°C
		Discharging 放电	-10~55°C
17	Storage Temperature 贮存温度	1 个月内 0 ~ 45°C 0 ~ 45°C for 1Month 6 个月内 0 ~ 35°C 0 ~ 35°C for 6Months	
18	NTC Resistor NTC 电阻	/	
19	ESD Test 静电测试	/	

#### 4. Battery Configuration 电池组成

No. 编号	Item 项目	Type 类型	Qty 数量
1	Cell 电芯	923460P/2300mAh	1PCS
2	PCM 保护板	IC:S8261DAA+8205A	1PCS
3	端子线 Connector/Wire	MOLEX51065-3p 正向端子 UL3302 26#	1SET

#### 5. Battery Performances Test Criterion 电池性能测试规范

##### 5.1 Appearance 外观

There shall be no such defect as scratch, flaw, crack, rust, leakage, which may adversely affect commercial value of battery.

电池外表面清洁，无电解液泄漏，无明显的划痕及机械损伤，无变形，无影响电池价值的其它外观缺陷。

##### 5.2 Measurement Apparatus 测试设备

###### (1) Dimension Measuring Instrument 尺寸测量设备

The dimension measurement shall be implemented by instruments with equal or more precision scale of 0.01mm.

测量尺寸的仪器的精度应不小于 0.01mm.

###### (2) Voltmeter 电压表

Standard class specified in the national standard or more sensitive class having inner impedance not less than 10 KΩ/V.

国家标准或更灵敏等级，内阻不小于 10 KΩ/V.

(3) Ammeter 电流表

Standard class specified in the national standard or more sensitive class. Total external resistance including ammeter and wire is less than 0.01Ω.

国家标准或更灵敏等级，外部总内阻包括电流表和导线应小于 0.01Ω。

(4) Impedance Meter 内阻测试仪

Impedance shall be measured by a sinusoidal alternating current method(AC 1kHz LCR meter).

内阻测试仪测试方法为交流阻抗法(AC 1kHz LCR)。

(5) 同批电芯电压一致性 ≤ 30mv

The voltage and voltage consistency of the same batch of cells is ≤ 30mV

**5.3 Testing Condition (unless otherwise specified) 测试条件 (除非另作说明)**

Temperature 20°C±5°C, Relative humidity: 60±20%, Atmosphere pressure: 86 ~ 106Kpa.

温度: 20±5°C, 相对湿度: 60±20%, 大气压强: 86 ~ 106Kpa。

**5.4 Electrochemical performance characteristics 电性能**

No. 序号	Item 项目	Testing Method 测试方法	Requirements 标准
1	Standard Charge 标准充电	0.2C <sub>5</sub> A constant current charge to 4.20V, then constant Voltage until the charge current decrease to 0.02C. 0.2C <sub>5</sub> A 恒流充电至 4.20V, 再 4.20V 恒压至 0.02C <sub>5</sub> A	
2	Rated Capacity 标称容量	(per 6.1.1) at room temp. (23±2°C), rest for 0.5-1 hrs then discharge at a constant current of 0.2C to 3.0V, testing will be terminated by either 5 cycles or any one discharge time exceeds 5 hrs 在环境温度为 (23±2) °C 下, 按 6.1.1 完全充电后静置 0.5 ~ 1 小时, 以 0.2C <sub>5</sub> A 放电至 3.0V, 可循环 5 次, 当有一次放电时间达到 5 小时, 即可停止。	≥2300mAh
3	Cycle (23°C) 循环寿命 (23°C)	At 23 ± 2 °C ambient temperature, With 0.2C charging and discharging, between each cycle for 5~10 minutes, in this way for 300C. 在 23°C±2°C 的环境温度下, 用 0.2C 充电和放电, 每次循环之间搁置 5~10 分钟, 循环 300 周。	Remaining capacity ≥ 80% Nominal capacity. 剩余容量 ≥ 80% 标称容量
4	Internal Impedance 内阻	Internal impedance is measured on a 50% charged battery at 1KHz AC at ambient temperature (23±2) °C. 环境温度 (23±2) °C, 电池荷电 50% 状态时以 1KHz 交流电测得的内部阻抗。	≤160mΩ
5	Capacity Retention 荷电保持能力	After fully charged (23 ± 2) in the 28 days of storage environment temperature, discharge at 0.2C <sub>5</sub> A to 3.0V. Then according to the standard charging mode, and then discharge at 0.2C <sub>5</sub> A to 3.0V. 完全充电后在 (23±2) °C 的环境中储存 28 天, 以 0.2C <sub>5</sub> A 放电至 3.0V. 然后按标准充电方式充电后, 再以 0.2C <sub>5</sub> A 放电至 3.0V。	Remaining capacity ≥ 85% Nominal capacity. 放电容量 ≥ 85% 标称容量 recovery capacity ≥ 90% Nominal capacity 恢复容量 ≥ 90% 标称容量

6	Discharge Rate Characteristic 倍率放电特性	Charge current/充电电流	Discharge current/放电电流			
			0.2C	0.5C	1.0C	
		0.2C	100%	95%	90%	
Cell shall be charged according to Per.6.1.1, and discharged with different current respectively to 3.0V. The cells should be performed at 23°C ± 2 °C 电芯按 6.1.1 充满电, 分别以不同的倍率放电到 3.0V。电芯必须在 23°C ± 2 °C 的温度下进行充放电。						
7	Temperature Characteristic 温度特性	Discharge current/放电电流	Discharge temperature/放电温度			
			-10°C	0°C	25°C	55°C
		0.2C	60%	85%	100%	95%
Cell shall be charged according to Per.6.1.1, and discharged with different temperature respectively to 3.0V at 0.2C. The cells must be stored for two hours at the corresponding temperature before discharge. 电芯按 6.1.1 充满电, 分别在不同温度放电到 3.0V。在放电前电芯必须在对应温度下储存 2 小时。						
8	The factory voltage 出厂电压	Check open circuit voltage (OCV) of cells prior to the delivery to customers 出货之后检验			3.85V-4.05V	

### 5.5 Safety characteristic 安全特性

No. 序号	Item 项目	Test Method 测试方法	Requirements 标准
1	Overcharge 过充	Discharge cells to 3.0V at 0.2C <sub>5</sub> A, then charge to 4.7V at 3C <sub>5</sub> A and rest for 7 hours. 电池以 0.2C <sub>5</sub> A 电流恒流放电至 3.0V, 以电流 3 C <sub>5</sub> A 限制电压 4.7V 的制式充电 7 小时。	No fire No explosion 不爆炸、不起火
2	Over Discharge 过放	Fully charge cells per 6.1.1, then discharge the battery to 3.0V with 0.2C <sub>5</sub> A mA at room temperature, connect with external load of 30Ω for 7hours. 将电池按 6.1.1 充满电后, 在环境温度 23±2°C 的条件下, 以 0.2C <sub>5</sub> A 放电至终止电压后, 外接 30Ω 负载电阻放电 7h。	No fire No explosion 不爆炸、不起火
3	Heat Cycle 温度循环	The cell is fully charged with standard charge method, and then it is to be stored for 4 hour at a test temperature equal to 85±2°C, followed by a storage for 4 hour at a test temperature equal to 23±2°C, this procedure is to be repeated for 3 times, and then test the thickness. 将用标准充电方法充满电的电芯放入 85±2°C 的环境中搁置 4h, 再在 23±2°C 条件下搁置 4h, 如此循环 3 次, 试验结束后测试电芯厚度。	No leakage, no fire and no explosion 不泄露、不起火、不爆炸 1) The rate of Thickness swell ≤ 10% 循环膨胀率 ≤ 10%
4	Mechanical shock 机械冲击	The battery is fixed on the test equipment. Each in three perpendicular directions under the impact of an equivalent. At least one direction perpendicular to the width of the battery. Each shock according to the following method: within the first 3 ms, minimum average speed of 735 m/s <sup>2</sup> , peak acceleration should be between 1225 m/s <sup>2</sup> and 1715 m/s <sup>2</sup> , pulse duration for ms to 6 ms + 1. 将电池固定在试验设备上。在三个相互垂直的方向上各承受一次等值的冲击。至少一个方向垂直于电池的宽面。	No leakage, no fire and no explosion, 不泄露、不起火、不爆炸

每次冲击按下述方法进行：在最初的 3ms 内，最小平均加速为 735m/s<sup>2</sup>，峰值加速应该在 1225m/s<sup>2</sup> 和 1715 m/s<sup>2</sup> 之间，脉冲持续时间为 6ms±1ms。

## 5.6 Reliability 环境适应性

No. 序号	Item 项目	Test Method 测试方法	Requirements 标准
1	Humidity Test 高温高湿	Fully charge cells per 6.1.1, stored them at 40±2°C with 90% ~ 95RH% for 48 hours. Then the cells are placed at room temperature to "dry out" for 2 hours. then discharge the cells to 3.0V at 0.2C <sub>5</sub> A. 将按 6.1.1 充满电的电池放入 40±2°C、相对湿度为 90% ~ 95% 的恒温湿箱中搁置 48h 后，取出电池在环境温度 20±5°C 的条件下搁置 2h。以 0.2C <sub>5</sub> A 电流放电至 3.0V	No deformation, no corrosion, no leakage, no rupture, no fire and no explosion, discharge time shall not be less than 3h. 无变形、无锈蚀、不泄漏、不泄气、不破裂、不起火和不爆炸，放电时间应不低于 3h。
2	Low Pressure Test 低压测试	The fully charged cell is to be stored for 6 hours at an absolute pressure of 11.6kpa and a temperature of 23±2°C. 将充满电的电芯在绝对压力为 11.6kpa、23±2°C 条件下贮存 6 小时。	No explosion, no fire and no leakage 不爆炸、不起火、不泄露
3	Drop Test 跌落测试	The cell is fully charged with standard charging method, standby for one hour and then it is submitted to free fall at a height of 1.0m down to one solid board with thickness of 20mm. It should be fallen for 2 times on each direction. 将电芯用标准充电方法充满电，放置 1h，将电芯从 1.0m 高度自由落到 20mm 厚的硬木板上。每个方向上各试验 2 次。	No leakage, no smoke, no explosion and no fire 不泄露、不冒烟，不起火，不爆炸
4	Vibration 振动	Battery charged by the regulation, after the battery is fixed on the vibration table, don't make the battery out of shape, with sinusoidal vibration, and within 15 min in logarithmic sweep from 7 hz frequency sweep to 200 hz and return to the 7 hz. Vibration along three mutually perpendicular direction of sample (one direction is perpendicular to the plane of the cathode) must match the sample, according to the logarithmic sweep in each direction way to 12 repetitions, vibration 3h. Logarithmic frequency sweeping method is as follows: 7 hz ~ 18 hz maintain peak acceleration of 9.8 m/s <sup>2</sup> . Hold the amplitude at 0.8 mm (displacement of 1.6 mm) until the peak acceleration of 78.4 m/s <sup>2</sup> (frequency is about 50 hz). Keep 78.4 m/s <sup>2</sup> peak acceleration until the frequency increased to 200 hz. 电池按规定充满电后，将电池固定在振动台上，不可使电池变形，采用正弦波进行振动，并以对数扫频方式在 15min 内从 7Hz 扫频到 200Hz 并返回到 7Hz。振动沿样品互相垂直的三个方向（其中一个方向必须与样品正负极所在平面垂直）进行，每个方向按上述对数扫频方式重复 12 次，振动 3h。 对数扫频方式如下：7Hz ~ 18Hz 保持 9.8m/s <sup>2</sup> 的峰值加速度。将振幅保持在 0.8mm（位移为 1.6mm）直至峰值加速度达到 78.4m/s <sup>2</sup> （频率约为 50Hz）。保持 78.4m/s <sup>2</sup> 的峰值加速度直到频率增长到 200Hz。	No leakage, no fire and no explosion. 不泄露、不起火、不爆炸。

## 6. Shipment 运输

The battery should be packed in cartons under the condition of half capacity 20-50% for shipment. The violent vibration, impaction or squeezing should be avoided in the transport process; neither is exposed in the sunlight nor rain. The batteries shall be shipped by normal transportation such as by road, by train, by ocean or by air.

## 7. Storage 贮存

The battery storage shall be in the clean and dry ventilation room at the temperature of  $-5 \sim 35^{\circ}\text{C}$  and shall keep out of fire or heat and avoid touching corrosion elements. The batteries shall be charged every 6 months during storage. Both the stored cells in the process of the battery and the batteries in delivery shall be “first come, first use”. The battery storage period is 12 months when into the warehouse. Batteries expired must have a thorough check. Only the applicable batteries can be dispatched to the purchaser; the inapplicable ones shall be rechecked, if it remains, the purchaser shall have the right to dispose bad ones.

电池应贮存在环境温度 $-5 \sim 35^{\circ}\text{C}$ 的清洁、干燥通风的室内，应避免与蚀性物质接触，应远离火源及热源。电池贮存过程中每六个月充电一次。电池的加工过程中使用库存电芯和电池交货出库时，均应该遵循“先进先出”的原则；电池从入库之日起，保存期限为12个月，超过贮存期限的产品必须重新进行逐批检查，合格后才能交付订货方，逐批检查不合格的按再提交检查的批处理，若仍然不合格，将由订货方决定处置。

## 8. Package and Marking 包装与标志

### 8.1 Package 包装

According to the attached.

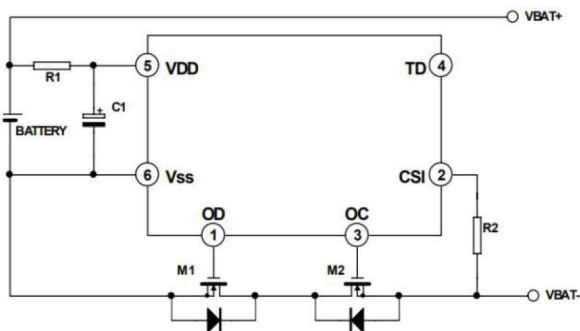
包装箱外应标明产品名称、型号、数量、毛重、制造厂商及联络地址、出厂日期，还应有“小心轻放”、“怕湿”、“向上”等必要标志；其包装储运的标志应符合 GB-191-2000 的规定。

### 8.2 Marking 标志

Every battery shall have the following Chinese characters: Product、type、rating voltage 3.7V、rating capacity、contacts plus or minus and warnings、produce date、lot No.、manufacturer、(or the marks of the above characters)。

每个电池上应有下列中文标志：产品名称、型号、标称电压、标称容量、正负极性商标和警示说明、以及制造日期、批号、制造厂名、(或包括以上数据的串号)。

### 9.1 Schematic of the PCB 保护板原理图



### 9.2 PCM Parameter PCM 参数

NO 序号	Item 项目	Criteria 标准
1	Over-charge Protection Voltage 过充电保护电压	$4.28 \pm 0.03\text{V}$
2	Over-discharge Protection Voltage 过放电保护电压	$3.0 \pm 0.1\text{V}$
3	Over-current 过流检测	1-3A
4	Current consumption in normal operation 工作消耗电流	$\leq 7\mu\text{A}$

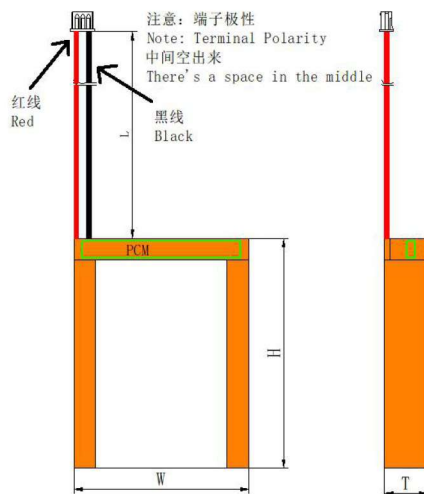


### 9.3 List of PCB BOM 保护板元件清单

项目	名称	规格 (mm)
T	厚度	≤9.2
W	宽度	≤34.5
H	高度	≤62.0
L1	外露线长	40 ± 3mm
MOLEX51065-3p 正向端子 UL3302 26#		

序号	零件编号	零件名称	规格	封装形式	用量	单位	备注
1	U1	IC	S-8261DAA-M6T1U	SOT-23-6	1	PCS	ABLIC
2	U2	MOS	8205A	SOT-23-6	1	PCS	德普微/派斯迪
3	R1	贴片电阻	330R/5%	0603	1	PCS	华新/国巨
4	R2	贴片电阻	470R/5%	0402	1	PCS	华新/国巨
5	C1	贴片电容	0.1UF/+80%-20%/16V (备选 0.1UF ± 10%, X7R,50V)	0603	1	PCS	华新/国巨
6	B+B-	镍片	5*3*0.3		2	PCS	鑫东泰
7	XDT-5399	PCB	16*3.5*0.6mm	绿油, 喷锡	1	PCS	/

### 10. Outline Drawing 外形图纸



## 11 Appendix 附录

### 11.1 Instructions and Safety Requirement 使用说明和安全规程

#### 11.1.1 Recommending Usage 推荐使用事项

- 1 Please read the battery instructions and the label on its surface before use.**  
使用电池前，请仔细阅读使用说明书和电池表面标识。
- 2 Use the battery indoors under normal condition, temperature:  $(20\pm 5)$  °C, absolute humidity:  $65\pm 20\%$ .**  
请在正常的室内环境中使用电池，温度： $(20\pm 5)$  °C，相对湿度： $65\pm 20\%$ 。
- 3 When in use, the battery shall be kept out of heat, high voltage and avoided children's touching. Do not drop the battery.**  
在使用过程中，应远离热源、高压，避免儿童玩弄电池，切勿摔打电池。
- 4 Use the compatible charger. Do not put the battery into the charger over 24hours.**  
本电池只能使用配套充电器充电，不要将电池放在充电器超过 24 小时。
- 5 Do not touch contacts together. Do not demolish or assembly the battery by yourself. Do not put the battery in the damp place to avoid danger.**  
切勿将电池正负极短路，切勿自己拆装电池，也勿让电池放在受潮处，以免发生危险。
- 6 When the battery was stored for a long period, put it well in its half capacity. Do not wrap it with conduct material to avoid the damage caused by the direct contact between the metal and battery. Keep the battery in day places.**  
长期不用时，请将电池储存完好，让电池处于半荷电状态。请用不导电材料包裹电池，以避免金属直接接触电池，造成电池损坏，将电池保存阴凉干燥处。
- 7 Well disposed the disused battery. Do not put it into fire or water.**  
废弃电池请安全妥当处理，不要投入火中或水中。

#### 11.1.2 Hazard Warning 危险警告

- 1 Forbid Disassemble Batteries 禁止拆装电池**  
The battery has protective component and circuit internally to avoid danger. Mishandling such as improper disassembly will destroy its protective function and make it heat, smoke, distort or burning.  
电池内部具有保护机构和保护电路可以避免发生危险。不合适的拆装会损坏保护功能，将会造成让电池发热、冒烟、变形或燃烧。
- 2 Forbid Short-circuit Batteries 禁止让电池短路**  
Do not touch the plus and minus contacts with metals. Do not put the battery with metal element together in either storage or movement. If the battery is short-circuit, it carries magnified current, which will cause damage and make the battery heat, smoke, distort or burning.  
不要将电池的正负极用金属连接，也不要将电池与金属片放在一起存储和移动。如果电池被短路，将会有超大电流流过，将会损坏电池，造成电池发热、冒烟、变形或燃烧。
- 3 Forbid heat and burn the battery 严禁加热和焚烧电池**  
If heating or burning the battery, it will caused the isolated element in the battery dissolved, protection function stopped or the electrode burning, over heated, which will make the battery heat, smoke, distort or burning.  
加热和焚烧电池将会造成电池隔离物的溶化、安全功能丧失或电解质燃烧，过热就会使电池发热、冒烟、变形或燃烧。
- 4 To avoid use the battery near the heat 避免在热源附近使用电池**

Do not use the battery near the fire and stove, or over 80°C, and over heating will cause the battery internal short-circuit and make it heat, smoke, distort or burning.

不要在火源、烤炉附近或超过 80°C 的环境中使用电池，过热将会导致电池内部短路，使电池发热、冒烟、变形或燃烧。

**5 Forbid bathing the battery 禁止弄湿电池**

Do not dampen the battery, or even immerse it in the water, which will cause internal protection circuit and its function lost or abnormal chemical reactions, which will lead to heating, smoking, distortion or burning.

不要弄湿电池，更不能将电池投入水中，否则会造成电池内部保护电路和功能丧失及发生不正常的化学反应，电池有可能发热、冒烟、变形或燃烧。

**6 Avoid charging near fire or in the sunlight 避免在火源附近或阳光直射下充电**

Otherwise, it will cause internal protection circuit and its function lost or abnormal chemical reactions, which will lead to heating, smoking, distortion or burning.

否则会造成电池内部保护电路和功能丧失和发生不正常的化学反应，电池有可能发热、冒烟、变形或燃烧。

**7 Danger in using non-indicated chargers in 使用非专用充电器给电池充电，会发生危险**

Charging in abnormal condition, the battery will cause internal protection circuit and its function lost or abnormal chemical reactions, which will lead to heating, smoking, distortion or burning.

在非正常的条件下充电会造成电池内部保护电路功能丧失和发生不正常的化学反应，电池有可能发热、冒烟、变形或燃烧。

**8 Forbid Damage Battery 禁止破坏电池**

Do not allow damage the battery with the metals gouged, forged or dropped etc., otherwise, it will cause over-heated, distort, smoke or burning, even in danger.

禁止用金属凿入电池、锤打或摔打电池或其他方法破坏电池，否则会造成电池发热、冒烟、变形或燃烧，甚至会发生危险。

**9 Forbid directly welding on the battery 禁止在电池主体上直接焊**

Over-heated will cause the isolated element dissolved in the battery and losing protective function its cycle life, even will cause over-heated, distort, smoke or burning.

过热将会造成电池隔离物的溶化、安全保护功能丧失，使电池发热、冒烟、变形或燃烧。

**10 Forbid directly charging on the power socket or car kit cigarette 严禁将电池直接在电源插座上或车载点烟器上充电**

High voltage and amplified current will damage the battery and reduce its cycle life, even will cause over-heated, distort, smoke or burning.

高压、大电流将会过电池而使其损坏，或使电池发热、冒烟、变形或燃烧。

**11 Do not use this battery for other equipment 不可将电池用于其他设备**

Improprate usage will damage the battery and reduce its cycle life, even will cause over-heated, distort, smoke or burning.

不恰当使用会损坏电池的性能、降低寿命，甚至会使电池发热、冒烟、变形或燃烧。

**12 Do not touch the leak-out battery 不要直接接触及漏液电池**

The leak-out electrolyte will cause the skin uncomfortable. If it drops into eyes, do not rob the eyes but wash in time, and go to hospital for treatment.

渗漏的电解液会造成皮肤不适，万一电解液进入眼睛，尽快用清水冲洗，不可揉眼，并迅速送医院处理。

### 11.1.3 Warning 警告

- 1 This battery cannot mix with deposal or twice- recycled batteries in use. Otherwise, for its abnormal charge and discharge, it will cause over-heated, distort, smoke or burning.

电池不可与其它类型的一次或二次电池混用，否则因为不正常的充、放电造成电池发热、冒烟、变形或燃烧。

- 2 Keep the battery out of children's reach and prevent them biting or swallowing the battery.

将电池远离孩童不能得到的地方，以避免孩童噬咬或吞咽电池，如果吞咽了电池，应迅速送医院处理。

- 3 Do not insert the battery onto the charger for a long time If charging beyond the normal time, the battery is still in the charger, please stop charging. The abnormal charging will cause battery over-heated, distort, smoke or burning.

如果超过正常充电时间很长时间充电器仍在充电，应停止充电，不正常的充电有可能会使电池发热、冒烟变形或燃烧。

- 4 Do not put into microwave stove or any other pressure apparatus. Take the battery away from the cellular phone or the charger if it is instant heated or leak-out (or odors) and depose it. The bad battery will causes over-heated, smoke or burning.

不可置于微波炉或其他压力容器中，瞬间加热或结构漏液(或有异味)，应让电池离开手机或充电器并弃用。使用不正常的电池会发热、冒烟、变形或燃烧。

### 11.1.4 Cautions 注意事项

- 1 **Notice 注意**

The battery shall be prevented to be exposed in effulgence so as not to cause over-heated, distort, smoke and weaken its performance and cycle life.

避免在强光曝晒环境下使用电池，以免发热、变形、冒烟.至少避免电池性能下降、降低寿命。

- 2 **Electro Static-free 防静电**

There is a protective circuit inside the battery to prevent contingency. Do not use the battery in the Electro static circumstances, (above 1000V), for it is easily destroyed the circuit board so that the battery doses not work and causes over-heated, distort, smoke or burning.

电池中装有保护电路以避免各种意外情况发生。不要在产生静电的场所使用电池，因为静电（1000V 以上）容易损坏保护板，而导致电池工作不正常，发热、变形、冒烟或起火燃烧。

- 3 **Discharging Temperature Range 充电温度范围**

Recommended discharging temperature range is 0-40°C, beyond which it will result in decadence of the battery performance and shortness of its life.

推荐的充电温度范围是 0-40°C。在超出此范围的环境中充电会造成电池性能下降、减少寿命。

- 4 **Read carefully the manual before use or whenever in need.** 在使用电池之前，请仔细阅读使用手册并经常在需要时阅读。

- 5 **Charging Method 充电方式**

Use the special chargers in the recommended charging method to charge the battery.

请使用专用充电器和推荐的充电方式，在推荐的环境条件下给电池充电。

- 6 **First Usage 第一次使用**

When you use the battery for its first time, do not put it into the cellular phone or any other equipment once you find it in unusual conditions such as uncleaness or odors. The battery should be returned to the vendor.

在第一次使用电池时，若发现电池不整洁或有异味等不正常现象，不可继续将电池用于手机或其它设备，应将电池返回销售商。

- 7 **Children Use 儿童使用**

When Children use the battery, they should be under their parents' instructions and superintend in use.

儿童使用电池前，应受父母指导，并在使用中受监督是否正确。

## **8 Avoid Children's Touch 避免孩童接触电池**

Battery should keep out of the place where children in reach. Prevent children taking the battery out of the charger or the cellular phone to play.

电池应放在孩童不易拿到的位置，应避免孩童将电池从充电器或手机中取出、玩弄。

## **9 To avoid the leak-out liquid be exposed to the skin or clothes. If touched, please wash by clean water so as not to cause the skin uncomfortable**

注意避免电池漏液接触皮肤或衣物，若已接触请用清水冲洗，以免造成皮肤不适。

## **10 Consultation 咨询**

When you buy the battery, please note how to contact with the vendors, so that you may get intouch with vendors for consultation whenever in need.

购买电池时，请注意销售商联络方法，以便需要时及进与销售商取得联系，得到咨询。

## **11 Guarantee period 保用期**

Guarantee is one year since it is out of the factory. Life time:300 cycles。 Any damage by incorrect use and not quality problem, even in its guarantee period, free service won't be provided by the manufacture.

保用期是自出厂之日起一年，寿命为：充放电循环 300 次。但是属于使用不当而非质量问题，即使在保用期内，生产厂家也不会无偿更换新电池。

## **12 Safety Usage Guarantee 安全使用保障**

If the battery is used on other instruments, please contact with your manufacturer for how to get the best performance, at least consult its maximum current, fast charge and special application.

如果将电池用于其他设备，请与供应商讨保护功能的完善性。至少应该咨询电池的大电流、快速充电、特殊应用的问题。

## **11.2 Quality Evaluation Programme 质量评定**

Quality evaluation composes of authoritative check and quality consistence check. Authoritative check is carried out on design decision, emended design and production decision. It should be confirmed by both Purchaser and Vendor on sampling proposal, check project, sequence and judgment etc., which in principle, should be all included. Quality consistence check should be divided into lot by lot check-up and periodical check-up, as to test the quality steadiness during the products in production (refer to GB2828—2003 standard). The detailed check-ups compose of appearance, internal resistance, rating capacity or 1C5A discharging capacity etc.

质量检验分为鉴定检验和质量一致性检验。鉴定检验一般在设计定型、更改设计和生产定型时进行，抽样方案、检验项目、顺序以及判定规则等事宜由供需双方协商确定。原则上应包括以上各项性能试验。质量一致性检验分为逐批检查和周期检查，用以判定产品生产过程中能否合格保证产品质量的持续稳定。可以参照 GB2828—2003，标准执行。具体检查的检验项目应包括外观、内阻、额定容量或 1C5A 放电容量等。

## **11.3 Environment Protection 环保要求**

This product accord with ROHS requirement.

此产品符合 ROHS 环保要求。

## **11.4 Others 其他事项**

All the above are the agreed the battery descriptions and test regulation between Purchaser and Vendor. It

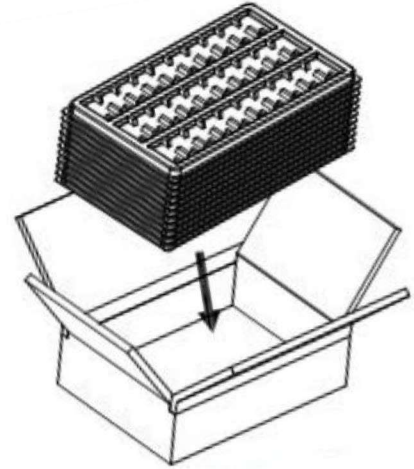
can be carried out if there is no any new written agreement or modification notice occurred.

以上述，可以作为供需双方对于电池产品性能和检验规则的约定框架。如果没有新的书面约定或更改通知，即可按此执行。

### 11.5 Packaging and labeling 包装和标识

**11.5.1** 电池表面应有必要的产品标识：产品名称、型号、制造厂名、商标和警告说明，电池的包装需按客户的要求进行,包装箱外应标明产品名称、型号、数量、毛重、制造商及其联地址、出厂日期、还应有“小心轻放”、“怕湿”、“向上”等必要标示

Cell surface should have the necessary product ID: product name, model, manufacturer name, trademark and warning instructions battery packaging according to customer requirements shall be marked with the product name, model, quantity, gross weight, manufacturer and its address, production date, should also be "handle with care", "wet", "up" the necessary



name,  
box  
ite of

### 11.5.2 Packaging 包装

