

CWX15NDC6VCR01

CWX-15 Series 2-Way Motorized Actuator



Product Specifications

- Valve Size: 1/4 to 1 inches
- Voltage: 5, 12, 24, 220V AC/DC
- Valve Body: brass or stainless steel
- Working pressure: 1.0 mpa
- Mini dimension suits for small equipment
- Long service life 70,000 to 100,000 circles
- Low working current, only 60 to 80mA
- IP65

Applications:

HVAC

Water treatment

Small equipment for automatic control

Replacing solenoid valve, particularly when solenoid cannot work reliably

Technical Parameters:

Size: 1/4 to 1 inches

Material: stainless steel (304, 316), brass,

Voltage: 5, 12, 24, 220V AC/DC


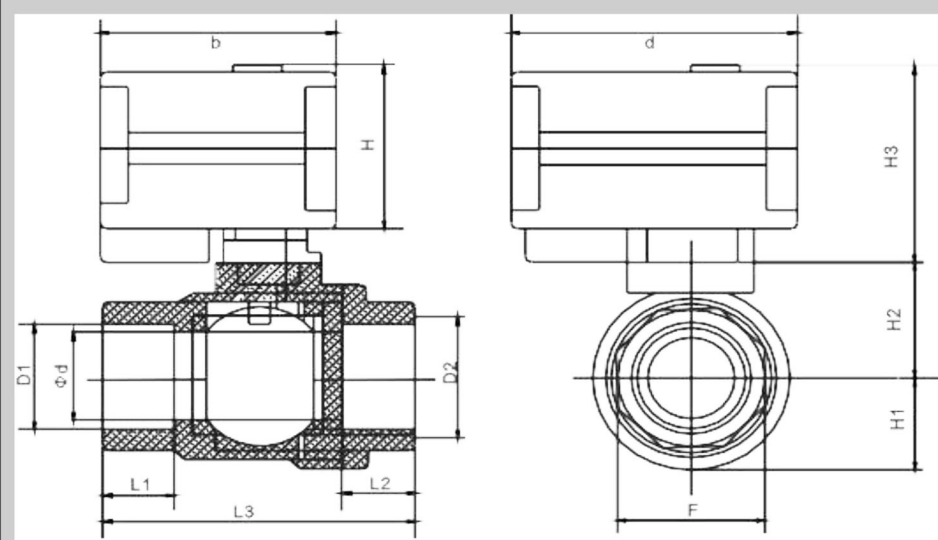
Working pressure: 1.0 mPa

Max pressure: 1.0 mPa

Actuator rotation: 90 degree

Rotation direction: double acting

Power: maximum 5W

TECHNICAL PARAMETERS														
Series	Max torque	Operating time	Working voltage	Max power	Enclosure	Max pressure	Medium temperature	Ambient temperature						
CWX-15	2N.m	3Sec	DC5V	<2W	IP65	1.6Mpa	0-100°C	-20°C<t<45°C						
			AC/DC9-24V											
			AC85-265V											
			FEATURES					APPLICATION						
			Mini dimension suit for small equipment					HVAC						
			Patented technology-floating seal structure					Water treatment						
			Long service life:80000-100000 circles					Chemical process						
			Low working current, suitable for battery driving					Small equipment for automatic Control						
			Quickly open and position indicator					Replacing solenoid valve, particularly when solenoid can't work reliably						
			Metal gearbox and POM gear											
			High flow capability											
			PARTS	MATERIAL										
			Actuator housing	ABS										
			Valve body	Brass										
			Valve ball	Brass										
			Stem	Brass										
			Ball seat	PTFE										
			Seal	EPDM										
			Valve body Dimension(mm)		Size	D1/D2	Φd	L1	L2	L3	F	H1	H2	H3
Both female screw		DN8	G1/4"	8	11	11	41	21	12	18	50	52	62	0.258
		DN15	G1/2"	15	11	11	54	27	16	22	50	52	62	0.342
		DN20	G3/4"	15	10	10	61	30	22	22	50	52	62	0.330
		DN25	G1"	20	16	18	73	38	26	26	50	52	62	0.499
Female and male screw		DN25	G1"	20	14	15	91	38	20	24	50	52	62	0.502
		DN32	G5/4"	20	16	16	79	46	25	25	50	52	62	0.502
Full port		DN20	G3/4"	20	15	15	70	30	20	25	50	52	62	0.446
		DN25	G1"	25	20	20	82	38	23	28	50	52	62	0.627
WIRING														
CR01(2 wires)		CR02(3wires)		CR03(3wires)		CR04(2wiers)		CR05(5wires)		CR06(5wires)				
Standard control		Two point control		One point control		Auto-return		Signal feedback		Two point control				