

BY-433-02

433MHz Antenna Specification



Product Specifications

Frequency: 433±5MHz

VSWR: ≤2

Gain: ≥2dBi

Polarization: Vertical

Radiation: Omni

Power: 50W

Input Impedance: 50Ω

Length: 95mm

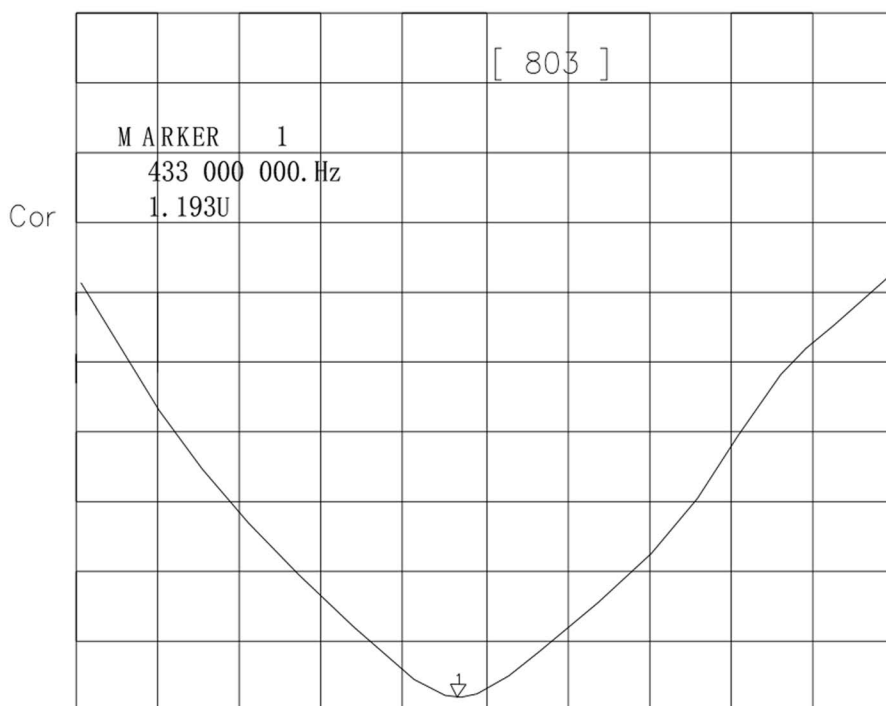
Connector: SMA/FME (Straight/Right Angle/Rotation) etc

Storage Temperature: -30°C to +75°C

Operating Temperature: -30°C to +75°C

Characteristic Curve

CH1 A/R SWR MKR 1 : 1.193 U
REF 1.000 U 1.000 U / 433 000 000. Hz



Mechanical Specifications

