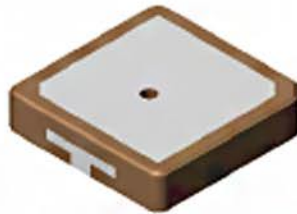


BY-GPS-182-SMD

GPS Dielectric Antenna Specification



Product Specifications

Dielectric Antenna

Nominal frequency (MHz): 1575.42±1.023

*Center frequency MHz (with adhesive tape on square ground Plane) CF±3.0

-10dB Bandwidth (MHz) min: 6.0

Return Loss at Center Frequency dB max: -20.0

Gain (Zenith 90°) dBi type: 2.0

Polarization Model: RHCP

Impedance: 50 Ω

Axial Ratio dB max: 3.0

Frequency Temperature Coefficient: 20ppm/deg °C max

Mechanical

Weight (gram): <10

Size (mm) : 18×18×2

Environmental

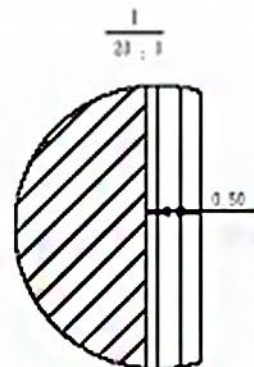
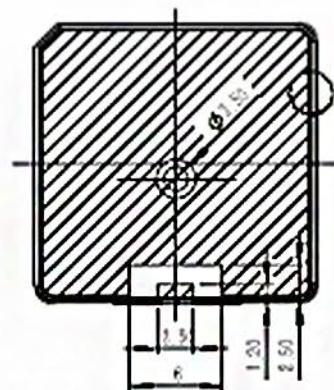
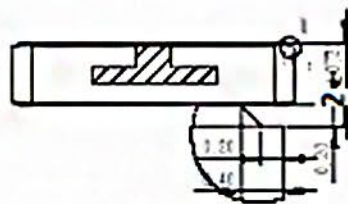
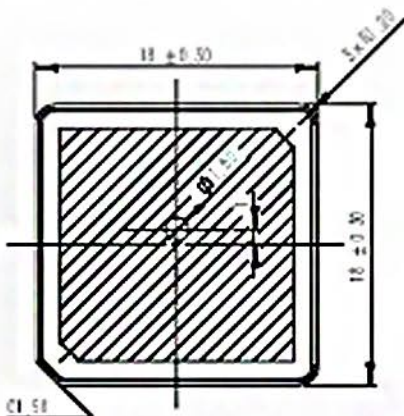
Working Temp: -40°C~+85°C

Storage Temp: -45°C~+90°C

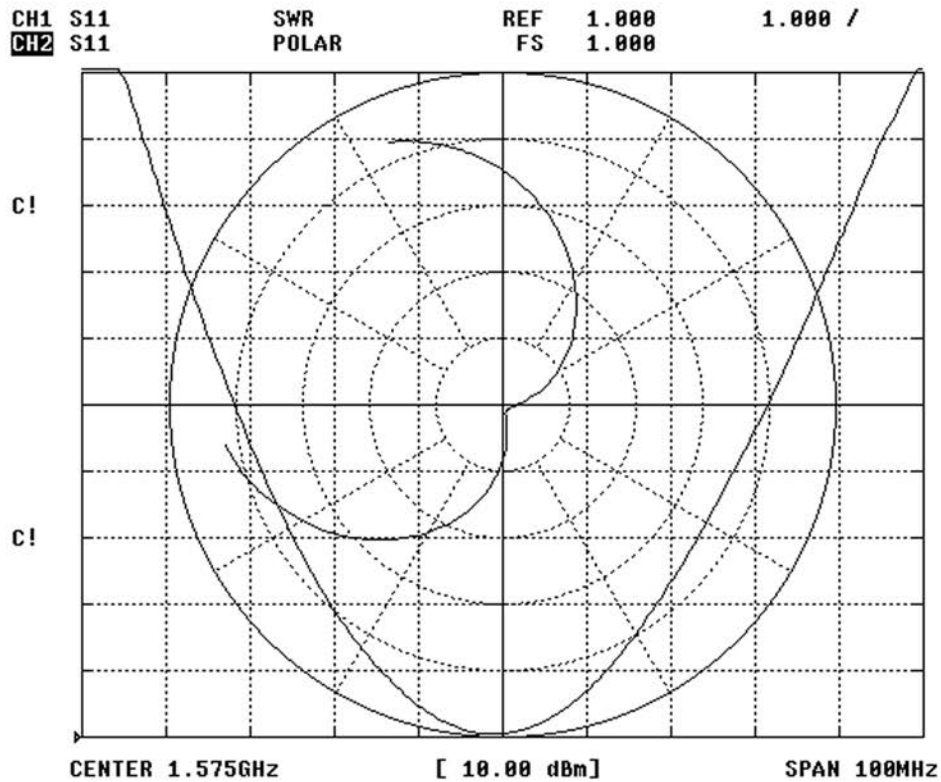
Vibration: Sine sweep 1g(0-p)10~50~10Hz each axis

Humidity: Humidity95%~100%RH

Mechanical Specifications

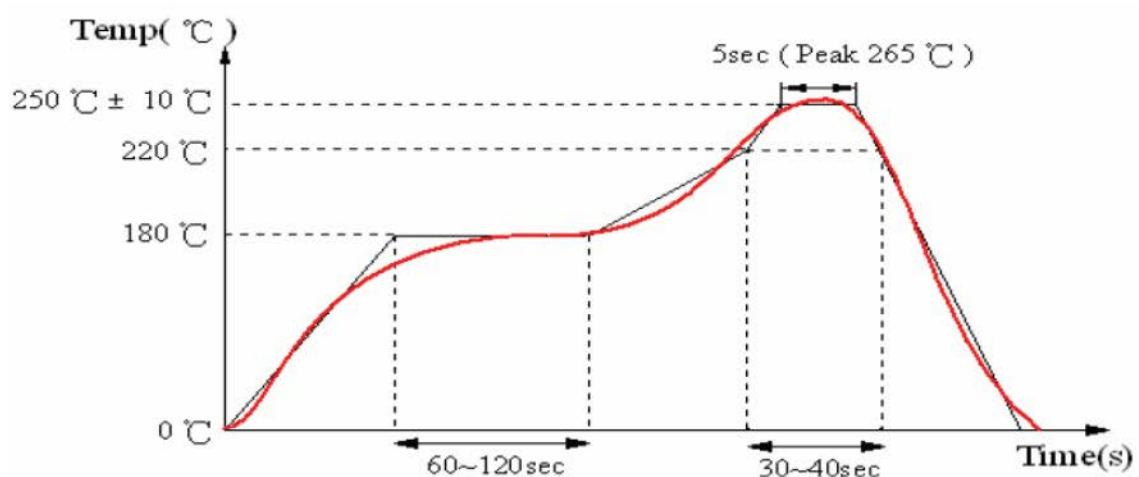


Characteristic Curve



(IV) Reflow profile

Recommendations of the Solder and Conditions



Solder: Sn64Bi35Ag