

BY-GPS-124

GPS Dielectric Antenna Specification



Product Specifications

Dielectric Antenna

Center Frequency: $1575.42 \pm 3\text{MHz}$

VSWR: 1.5:1

Bandwidth (MHz): 10Min

Impedance: 50Ω

Peak Gain $>2.5\text{dBi}$ Based on $7\text{cm} \times 7\text{cm}$ ground plane

Gain Coverage $>-4\text{dBi}$ at $-90^\circ < \theta < +90^\circ$ (over 75% Volume)

Polarization: RHCP

Power Handling: 1W

Mechanical

Weight $<10\text{g}$

Size (mm): $12 \times 12 \times 4$

Environmental

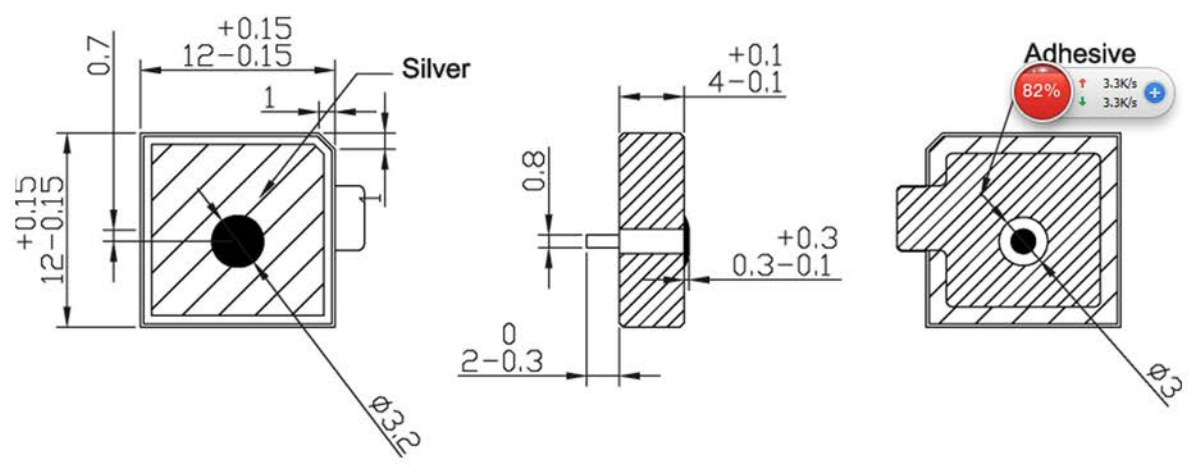
Working Temp: $-40^\circ\text{C} \sim +85^\circ\text{C}$

Storage Temp: $-45^\circ\text{C} \sim +90^\circ\text{C}$

Vibration: Sine sweep $1\text{g}(0\text{-p})10 \sim 50 \sim 10\text{Hz}$ each axis

Humidity: Humidity $95\% \sim 100\% \text{RH}$

Mechanical Specifications



Characteristic Curve

