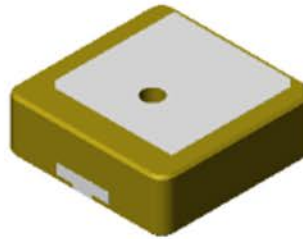


BY-GPS-124-SMD

GPS Dielectric Antenna Specification



Product Specifications

Dielectric Antenna

Center Frequency (MHz) : 1575.42±3

VSWR: 1.5:1

Bandwidth (MHz) : 10Min

Impedance (Ω) : 50

Peak Gain: >2.5dBi Based on 7cm×7cm ground plane

Gain Coverage: >-4dBi at $-90^\circ < 0 < +90^\circ$ (over 75% Volume)

Polarization: RHCP

Power Handling (W) : 1

Mechanical

Weight (gram) : <10

Size (mm) : 12×12×4

Environmental

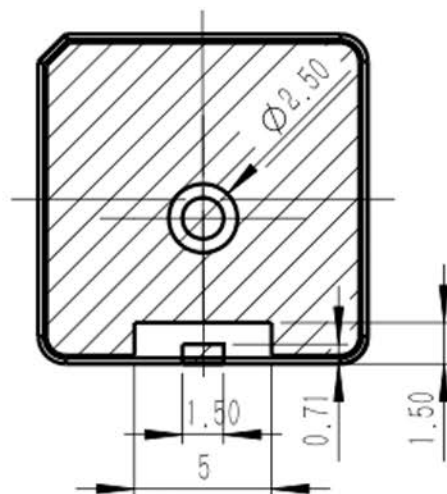
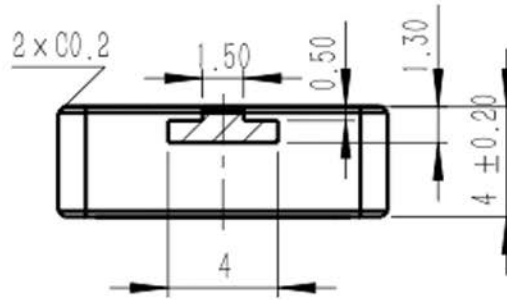
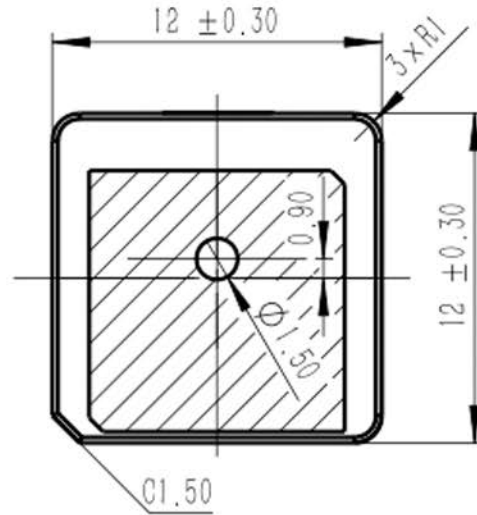
Working Temp: $-40^\circ\text{C} \sim +85^\circ\text{C}$

Storage Temp: $-45^\circ\text{C} \sim +90^\circ\text{C}$

Vibration: Sine sweep 1g(0-p)10~50~10Hz each axis

Humidity: Humidity95%~100%RH

Mechanical



Characteristic Curve

