

## BY-2400-12

### Wifi2.4GHz Antenna Specification



## Product Specifications

Frequency (MHz) : 2400-2500

VSWR  $\leq$  1.5

Gain (dBi) : 8

Max Power (W) : 50

Polarization : Vertical

Before and after than  $\geq$  25 dBi

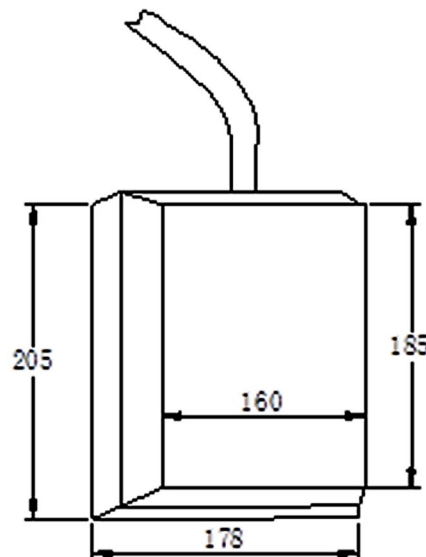
Input impedance ( $\Omega$ ) : 50

Connector: N-K/SMA/SMB/BNC/FME/TNC etc.

Size (mm) : 207 $\times$ 178 $\times$ 45

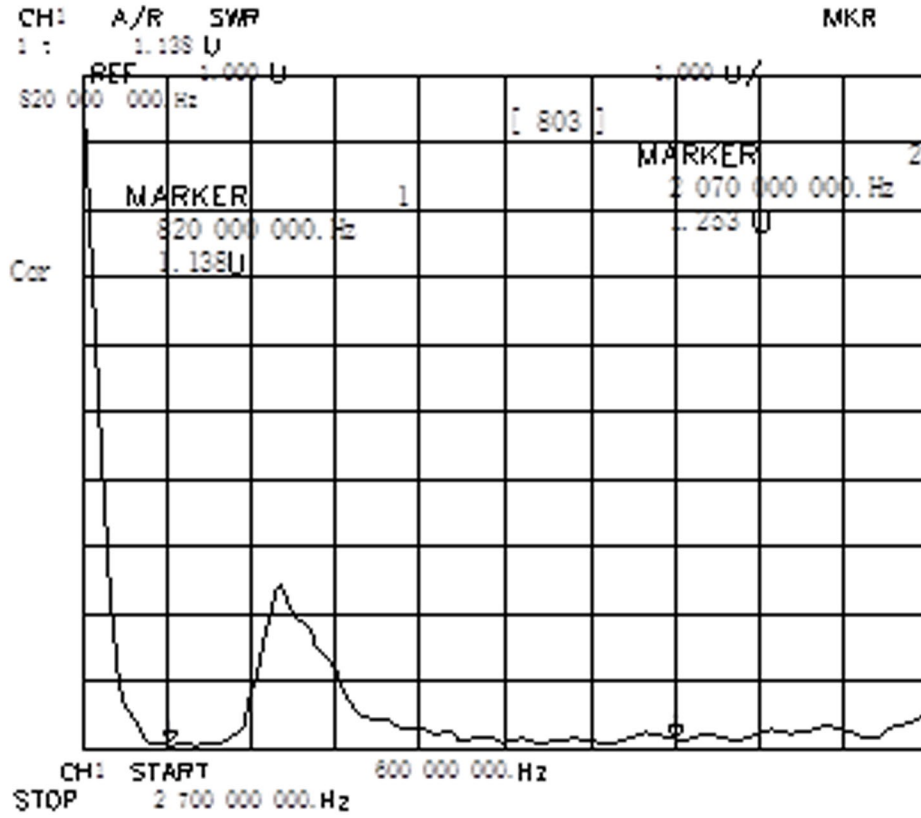
Weight (Kg) : 0.5

## Mechanical Specifications

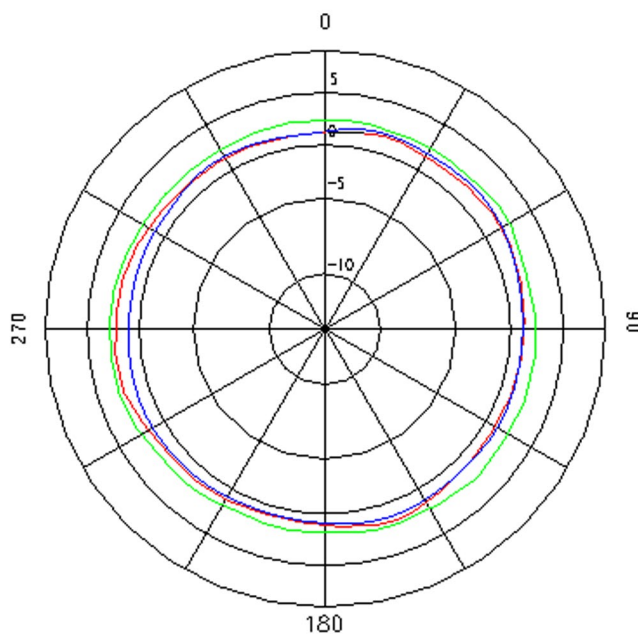


Dimensions: mm

## Characteristic Curve

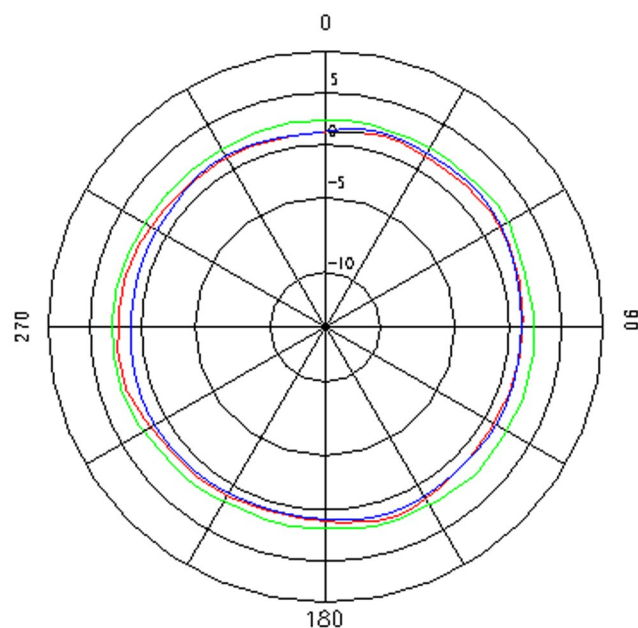


## 2. 4G天线极化图



水平面方向图(2.4G天线)  
Horizontal Pattern

## 2. 4G天线极化图



水平面方向图(2.4G天线)  
Horizontal Pattern