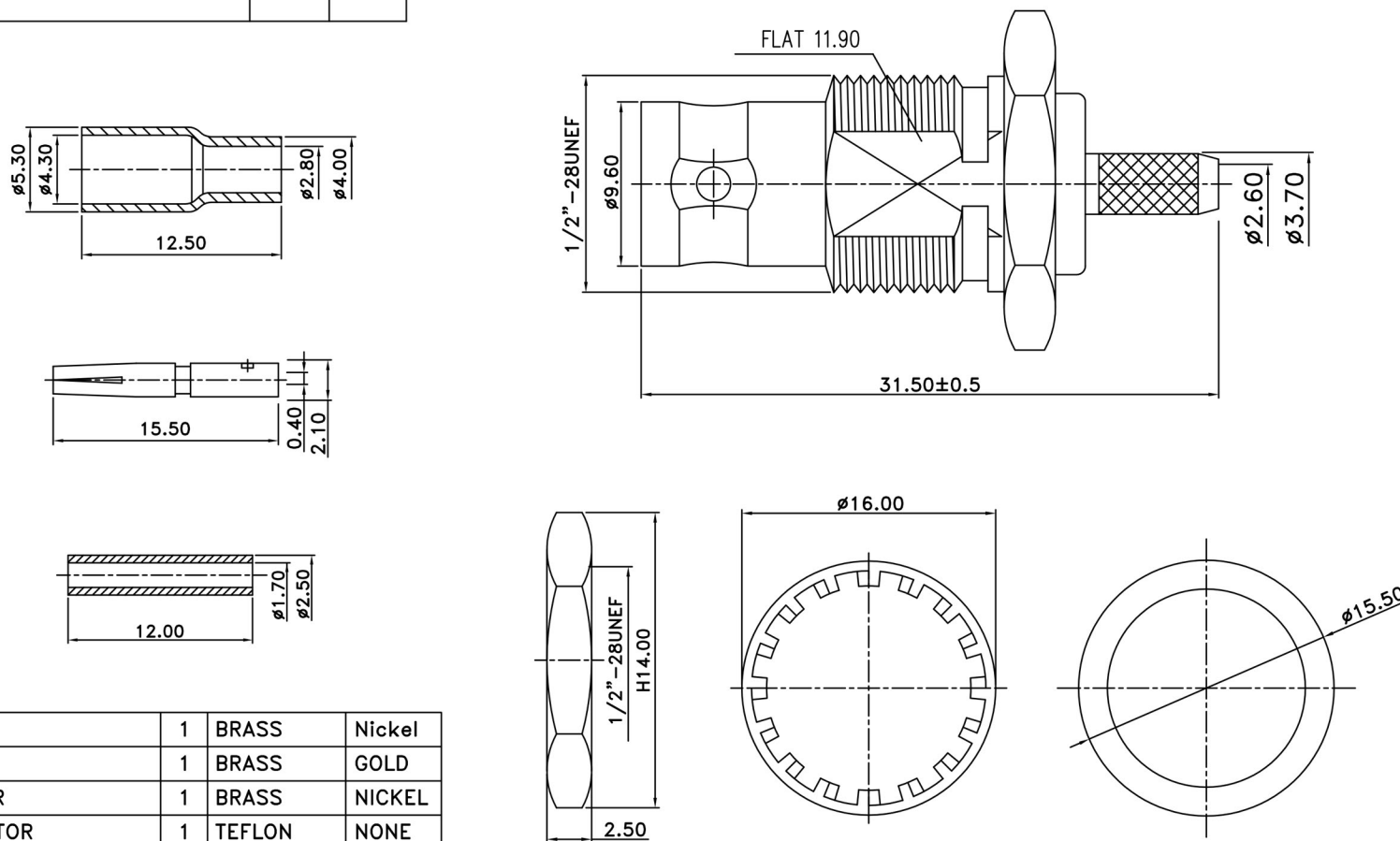


## BNC-16-05-LTGN BNC bulkhead crimp jack for RG174

REV	DESCRIPTION	DRAWN	DATE



9	RING	1	BRASS	Nickel
8	PIN	1	BRASS	GOLD
7	WASHER	1	BRASS	NICKEL
6	INSULATOR	1	TEFLON	NONE
5	GASKET	1	SI-RUBBER	RED
4	WASHER	1	BRASS	NICKEL
3	NUT	1	Brass	NICKEL
2	BODY	1	Brass	Nickel
1	BODY	1	Brass	Nickel
NO	Description	Q'ty	Material	Finish

UNLESS OTHERWISE SPECIFIED 1.REMOVE ALL BURRS. 2.BREAK ALL CONNERS & EDGES CO.15 MAX. 3.CHAMFER 1ST & LAST THREADS 45° 4.DIAMETERS ON COMMON CENTERS. TO BE CONCENTRIC WITHIN 0.1 TIR. 5.ALL DIMENSIONS ARE AFTER PLATING.	* MAJOR DIMENSION	APPROVED
	UNLESS OTHERWISE NOTED TOLERANCES	CHECKED
	0.5-6=±0.2 6-30=±0.4 30-120=±0.6 120-315=±1.0 ANGLES=±1°	DRAWN andrew
	SCALE 3/1 UNIT MM	DRAWN DATE 05/03/02

 CHANG HONG TECHNOLOGY Co., LTD.	
BNC FEMALE BKD CRIMP FOR RG174 RG316	
DRAWING NO. BNC-16-05-1-L-TGN	REV A
FILE NO.	