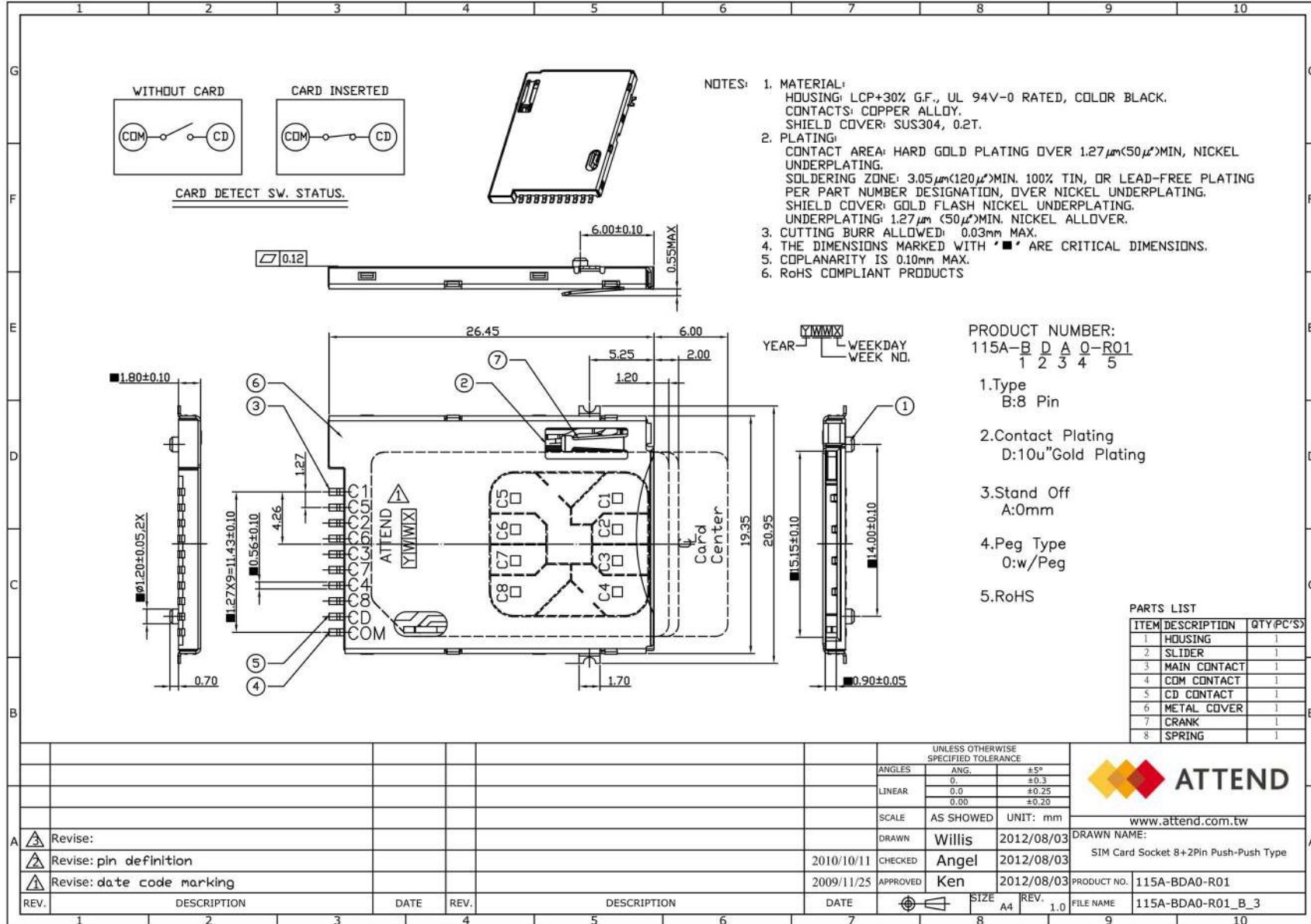
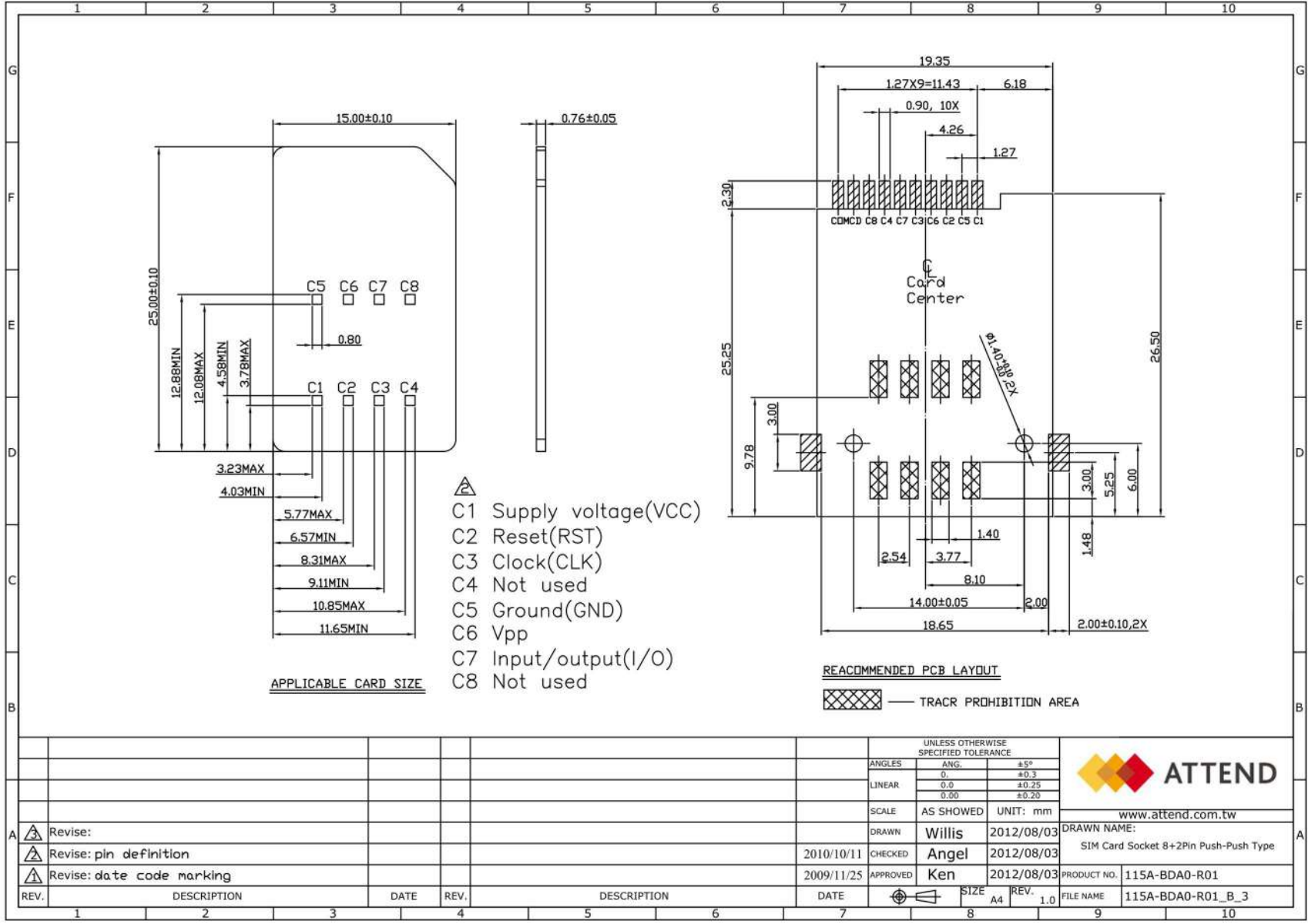


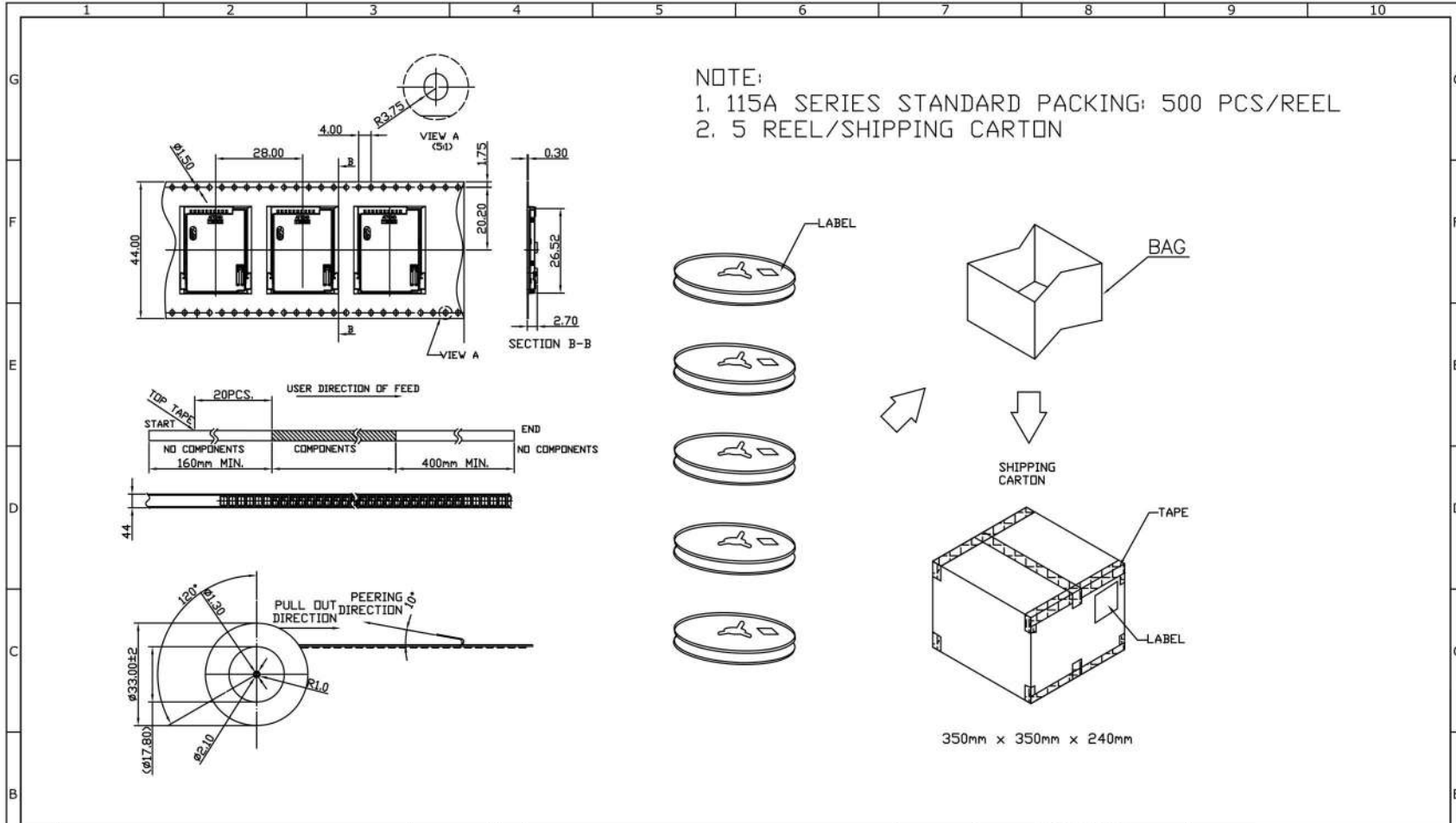
115A-BDA0-R01 ATTEND 115A push-push SIM socket 8 pin





www.attend.com.tw
DRAWN NAME:
SIM Card Socket 8+2Pin Push-Push Type

PRODUCT NO. 115A-BDA0-R01



NOTE:
1. 115A SERIES STANDARD PACKING: 500 PCS/REEL
2. 5 REEL/SHIPPING CARTON

350mm x 350mm x 240mm

				UNLESS OTHERWISE SPECIFIED TOLERANCE			 www.attend.com.tw	
				ANGLES	ANG.	±5°		
				LINEAR	0.	±0.3		
					0.0	±0.25		
				0.00	±0.20			
				SCALE	AS SHOWN	UNIT: mm		
A	△	Revise:		DRAWN	Willis	2012/08/03	DRAWN NAME:	
	△	Revise: pin definition		CHECKED	Angel	2012/08/03	SIM Card Socket 8+2Pin Push-Push Type	
	△	Revise: date code marking		APPROVED	Ken	2012/08/03	PRODUCT NO.	115A-BDA0-R01
REV.		DESCRIPTION	DATE	REV.		DESCRIPTION	DATE	SIZE A4 REV. 1.0 FILE NAME 115A-BDA0-R01_D_2