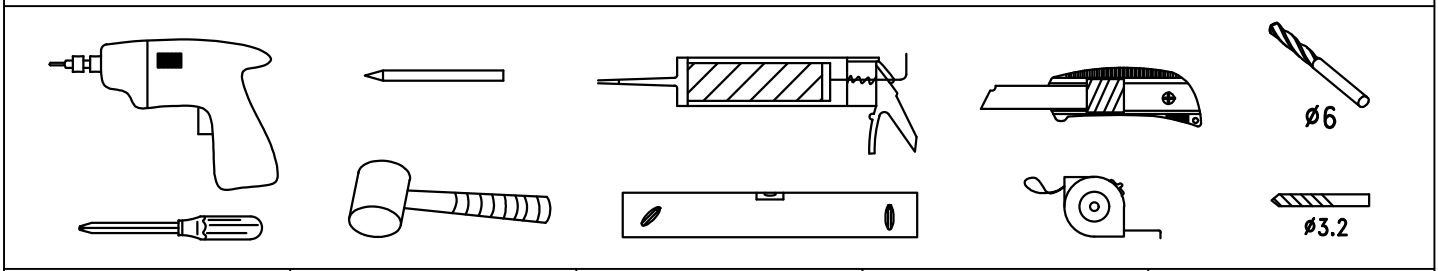
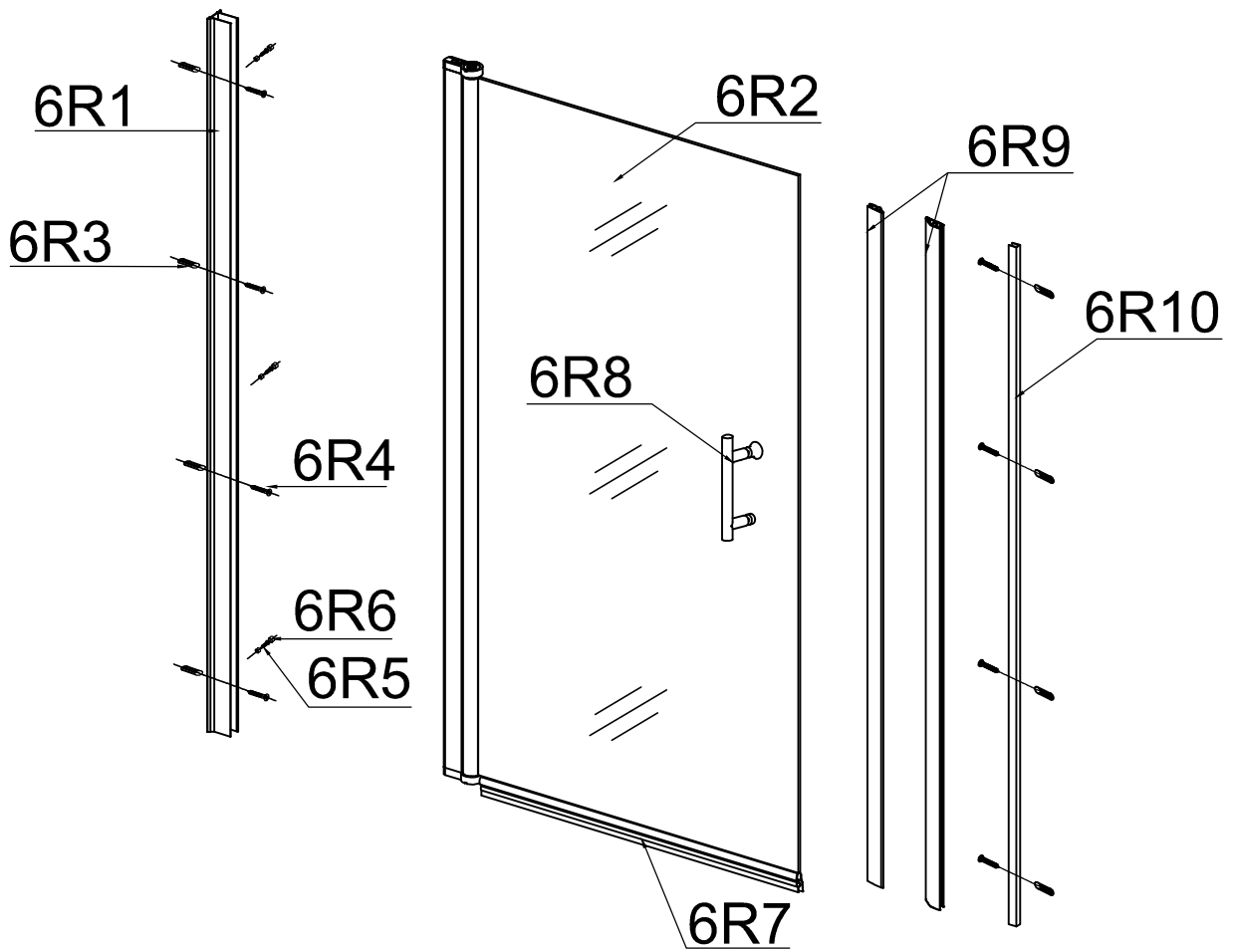


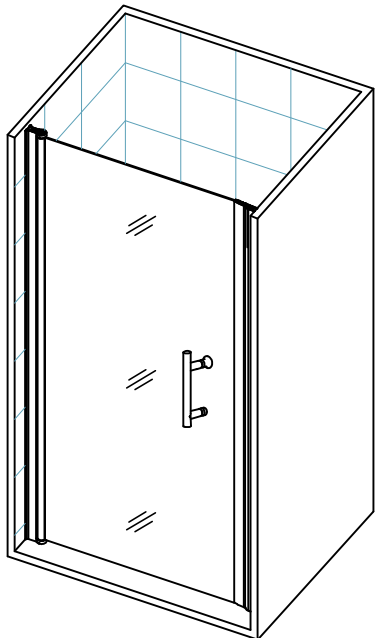
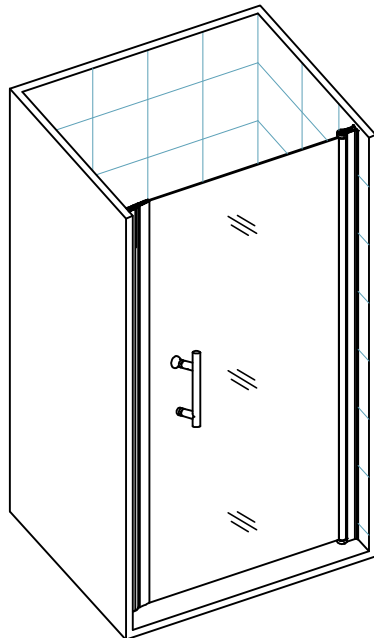
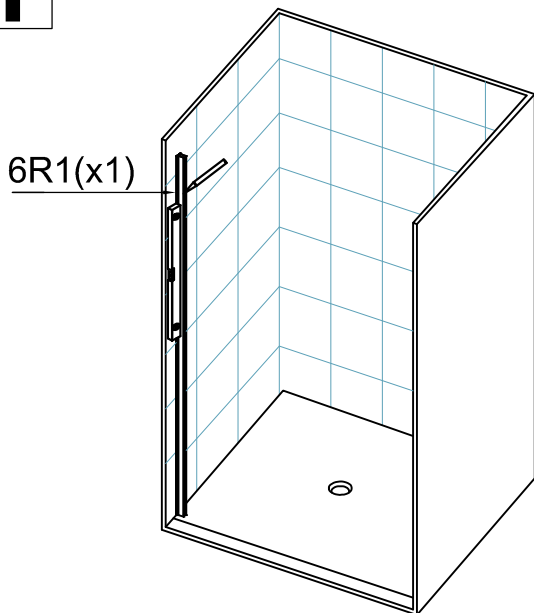
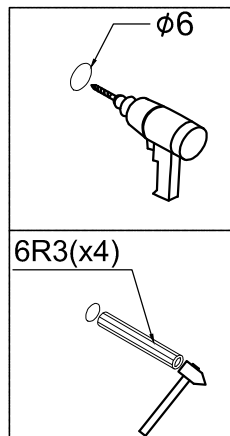
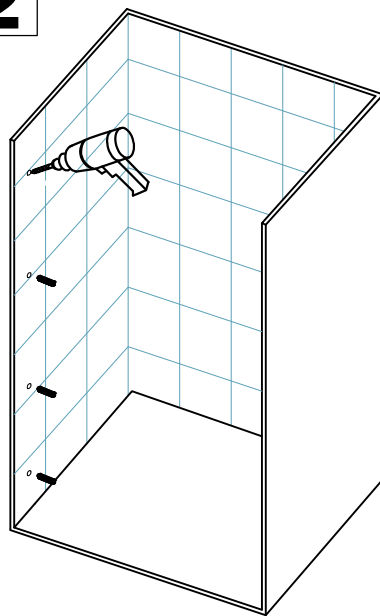
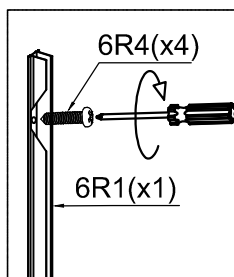
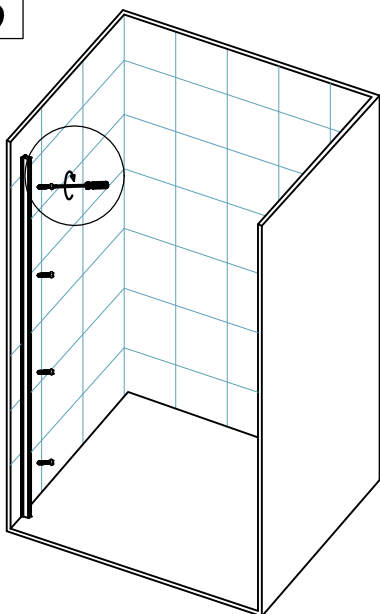
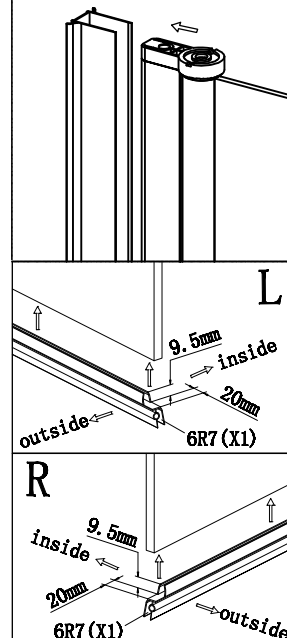
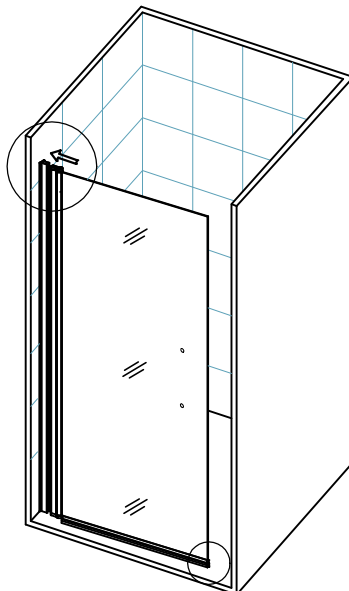
# AFP Series

Edit:16.01

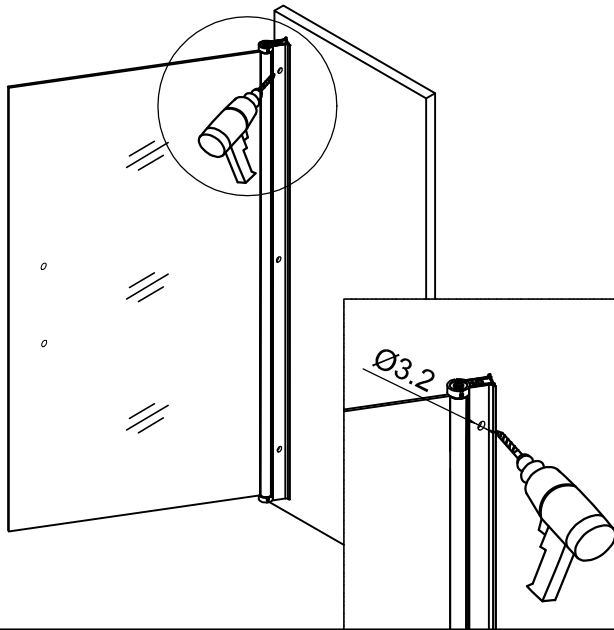


<p><b>6R3</b></p> <p>x8</p>	<p><b>6R4</b></p> <p>30 ST4</p> <p>x8</p>	<p><b>6R5</b></p> <p>10 ST4</p> <p>x3</p>	<p><b>6R6</b></p> <p>x3</p>	<p><b>6R7</b></p> <p>x1</p>
-----------------------------	---	---	-----------------------------	-----------------------------

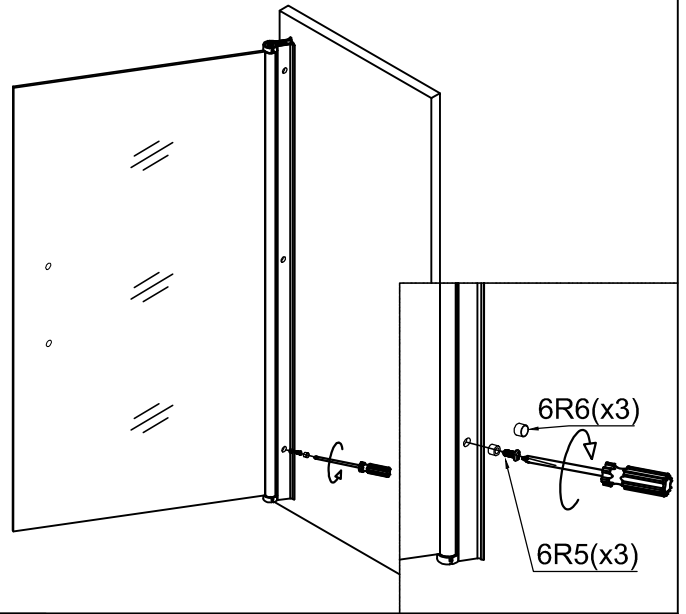
<p><b>6R8</b></p> <p>x1</p>	<p><b>6R9</b></p> <p>x2</p>			
-----------------------------	-----------------------------	--	--	--

**L****R****1****2****3****4**

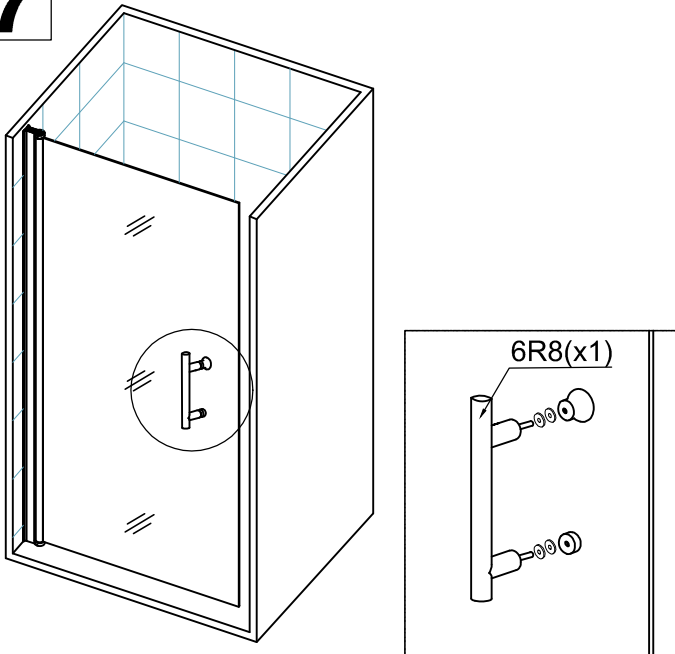
**5**



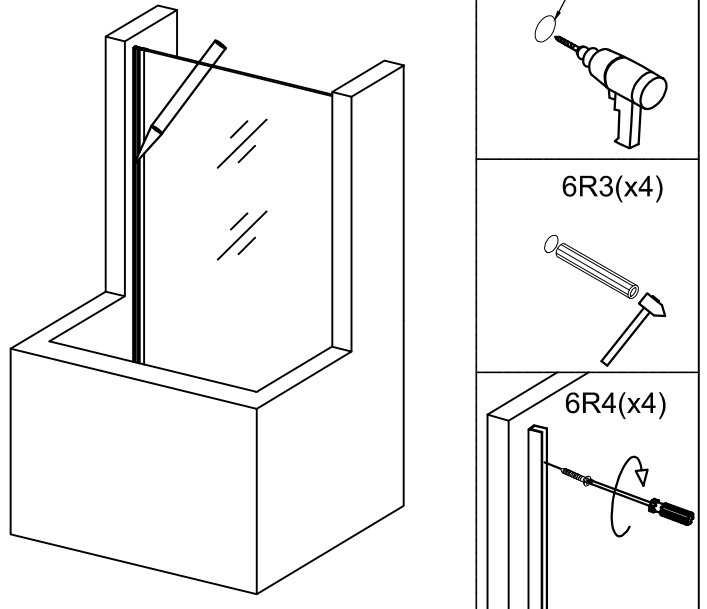
**6**



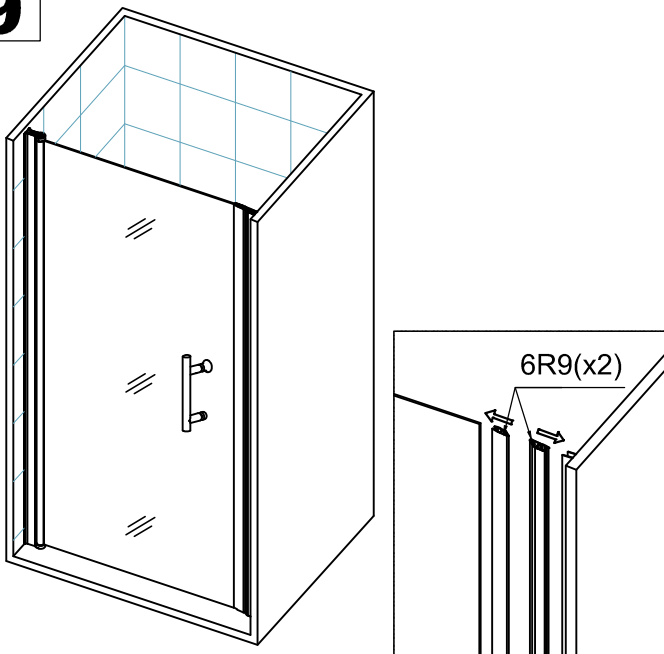
**7**



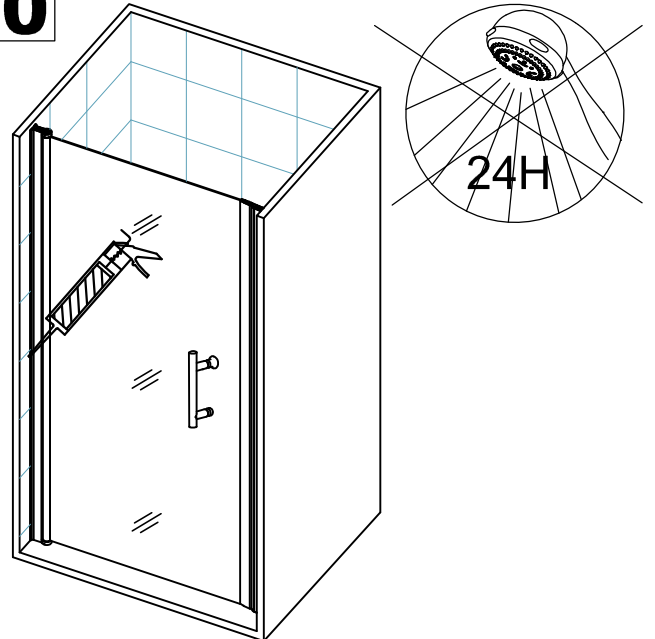
**8**



**9**

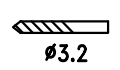
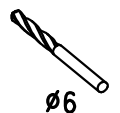
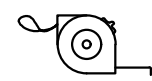
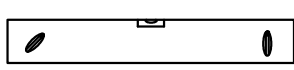
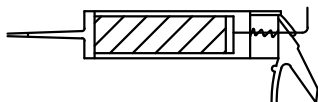
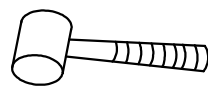
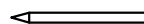
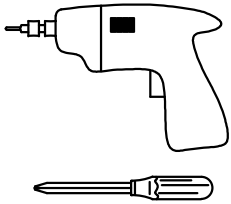
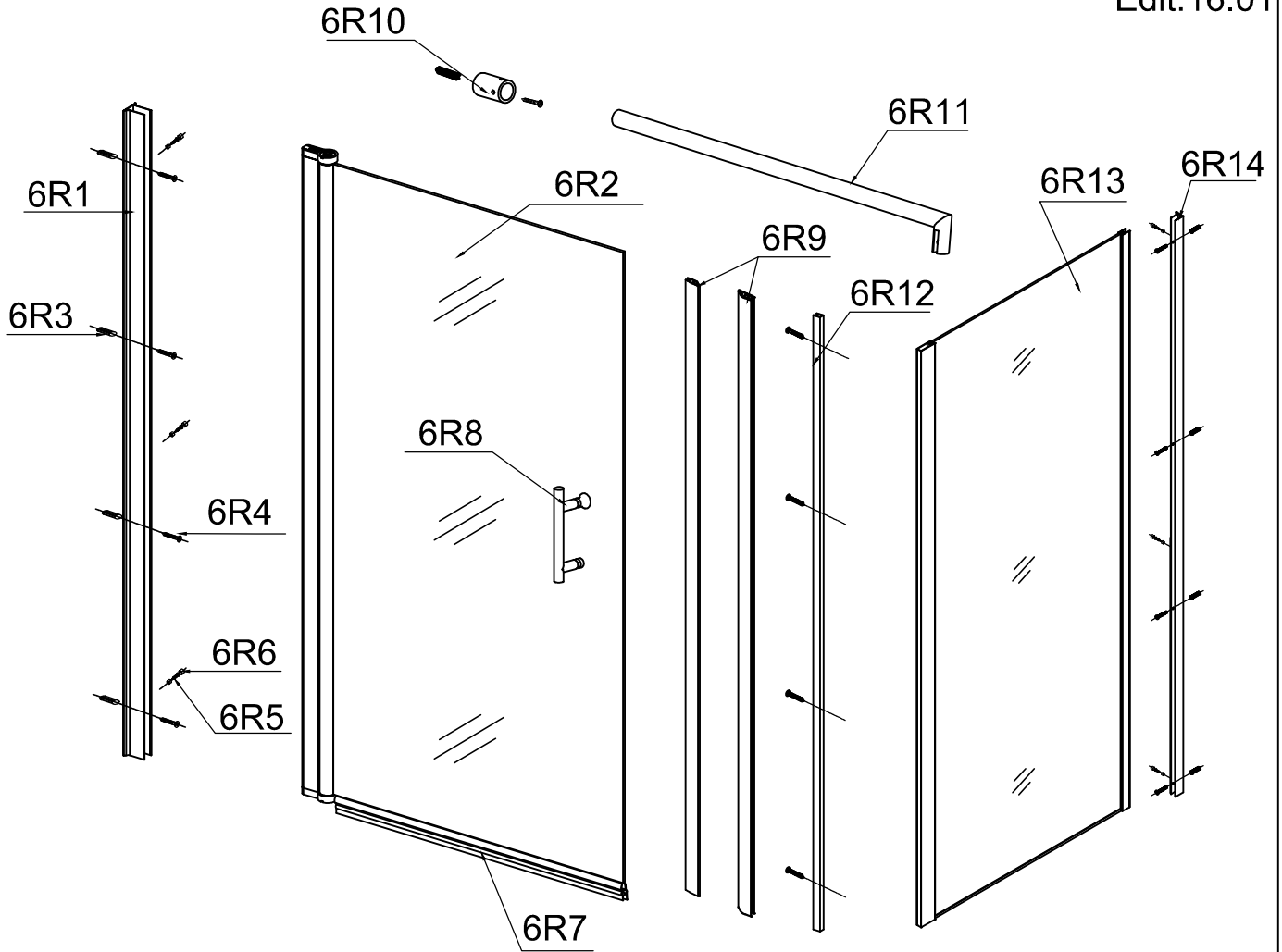


**10**

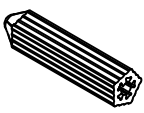


# AFP Series+Side panel

Edit:16.01

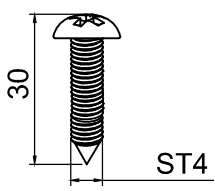


6R3



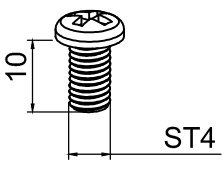
x8

6R4



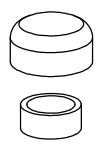
x8

6R5



x10

6R6



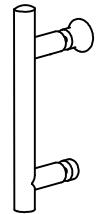
x6

6R7



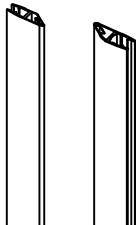
x1

6R8



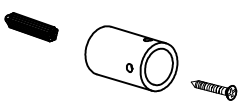
x1

6R9



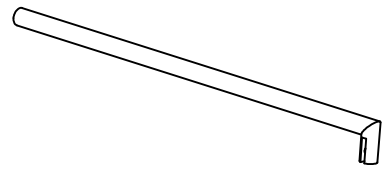
x2

6R10

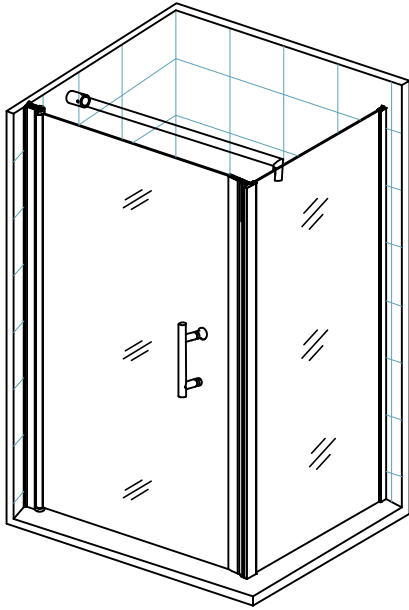
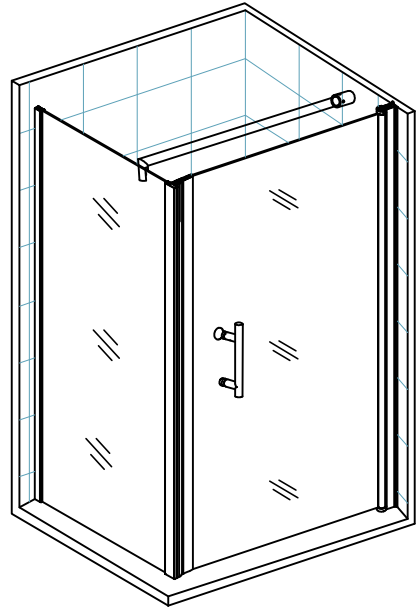
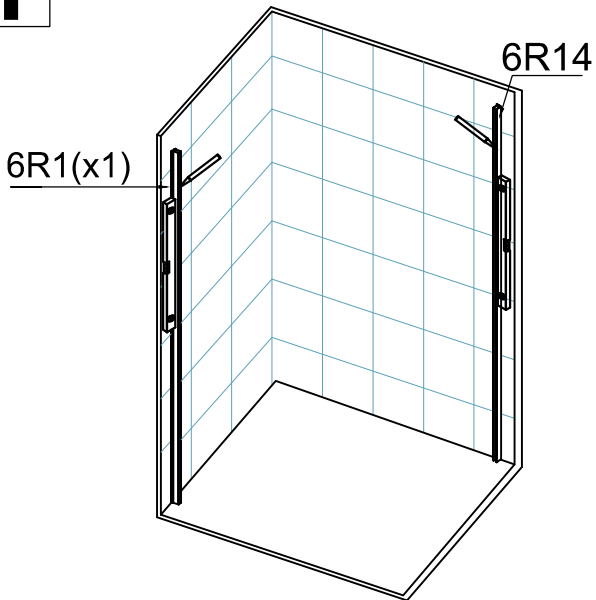
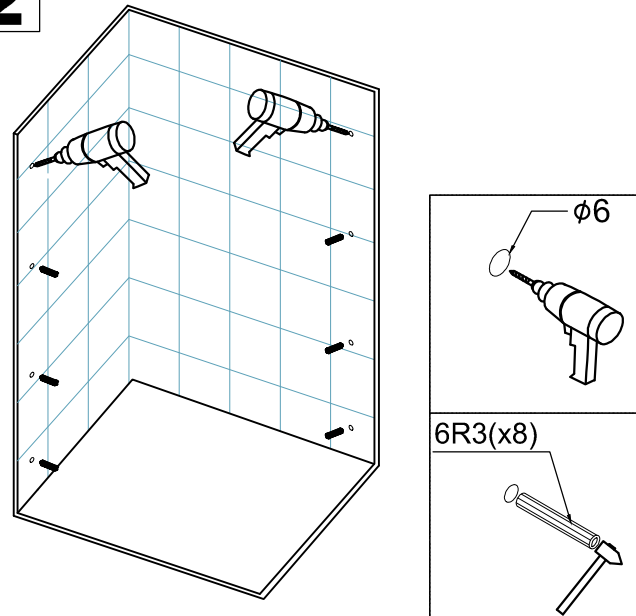
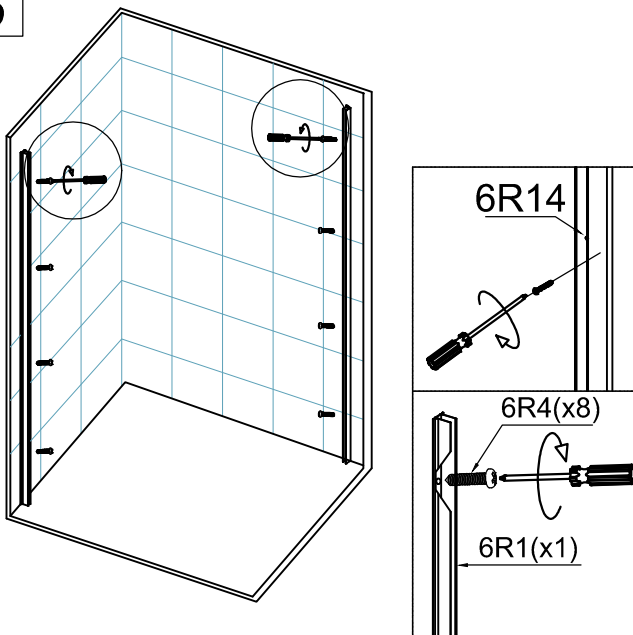
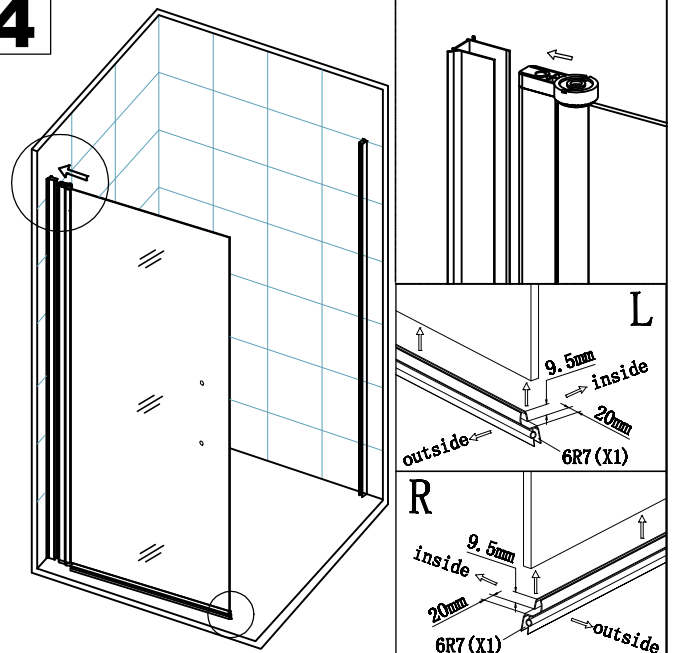


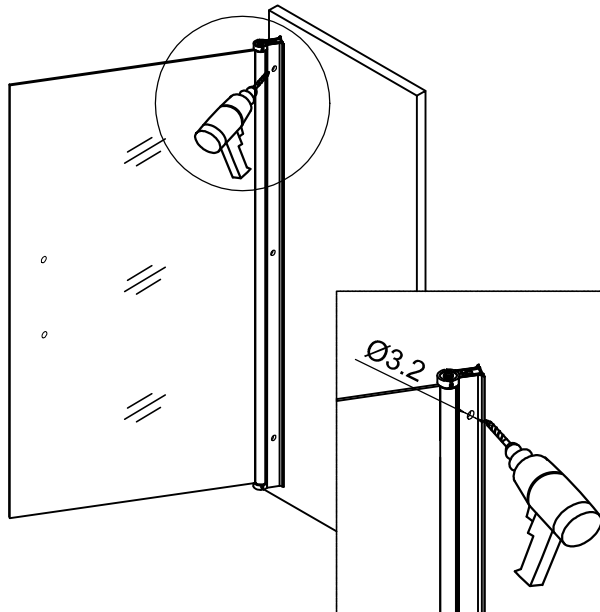
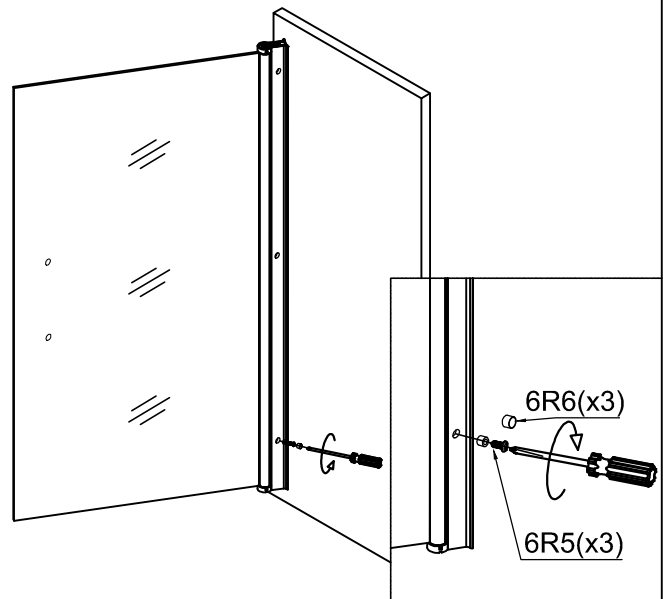
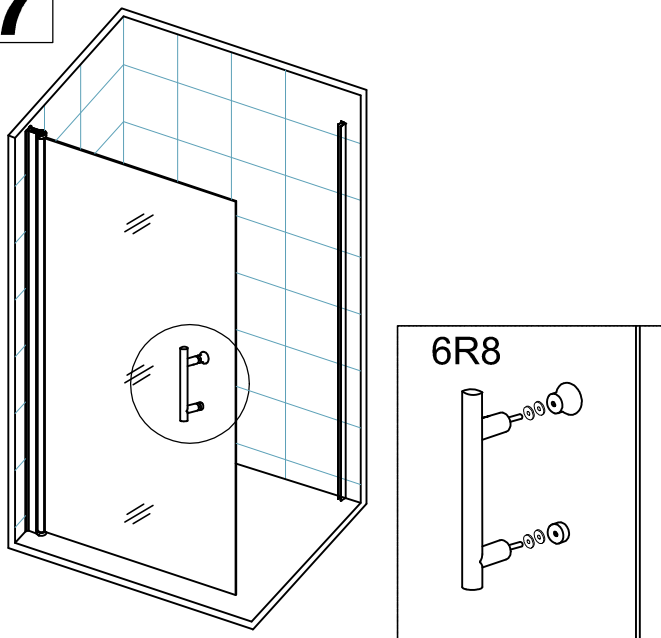
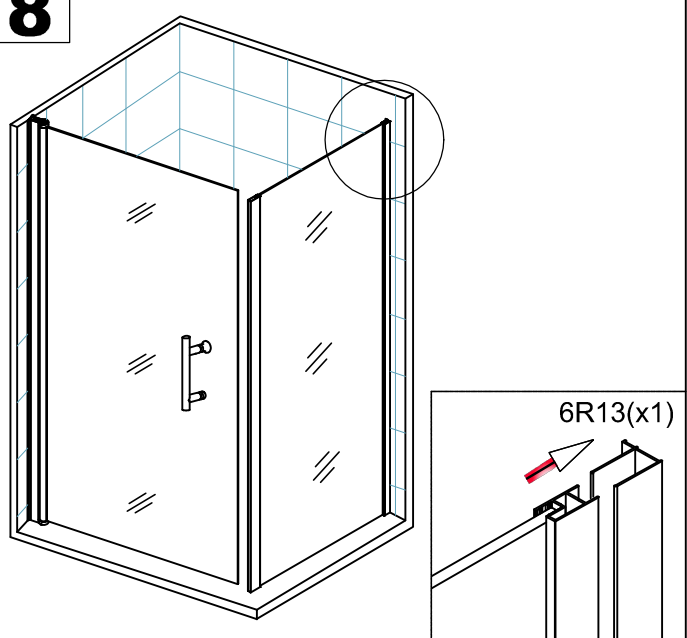
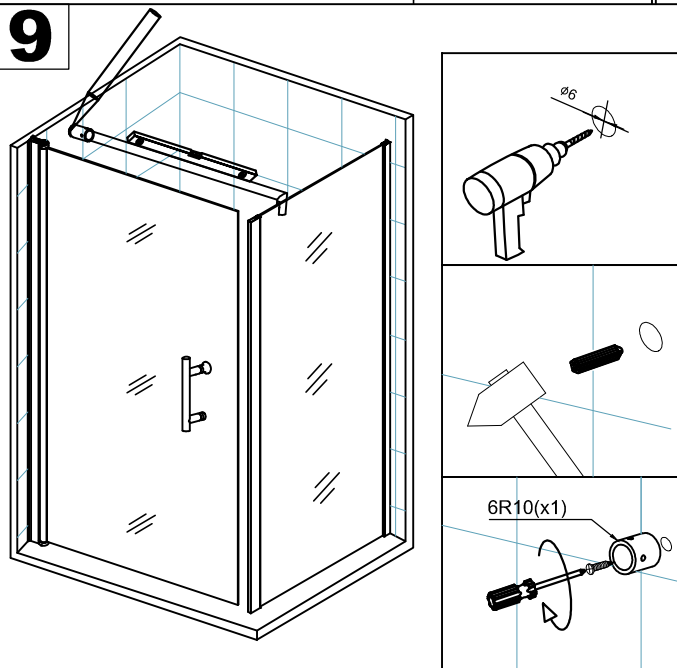
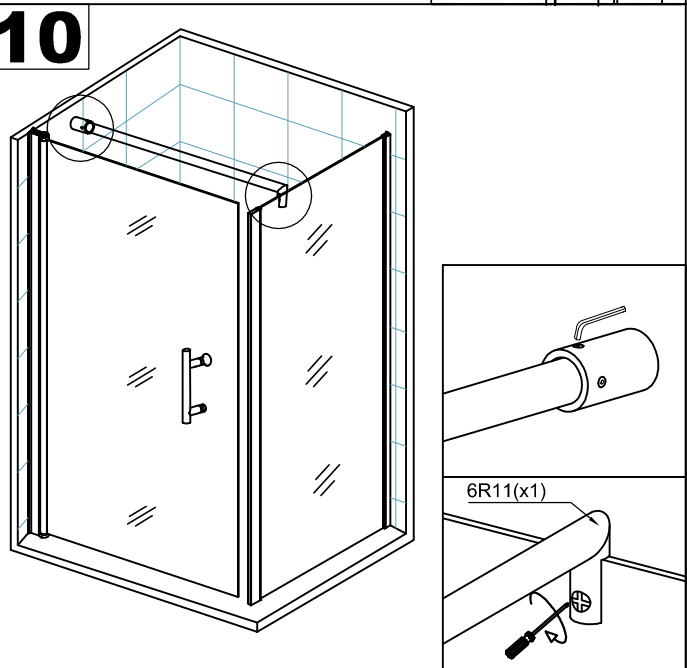
x1

6R11

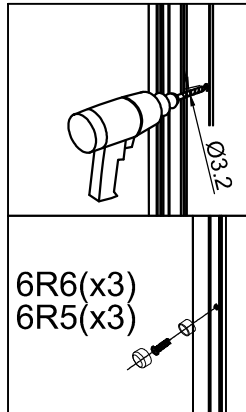
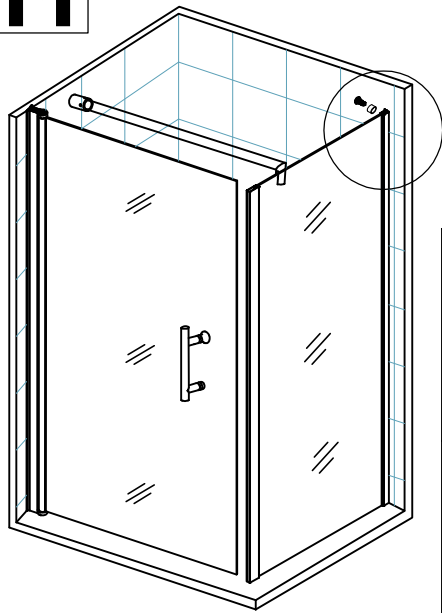


x1

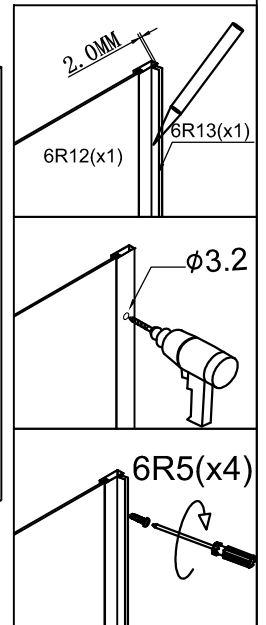
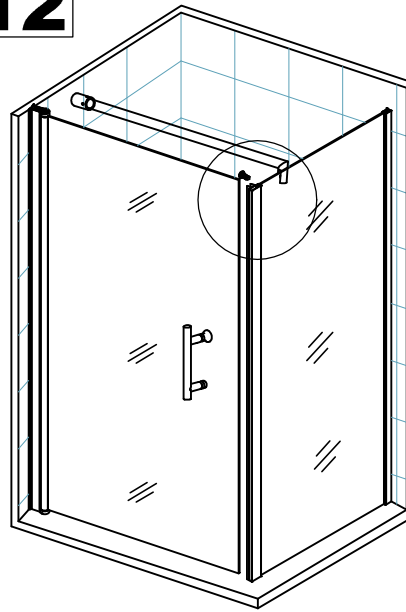
**L****R****1****2****3****4**

**5****6****7****8****9****10**

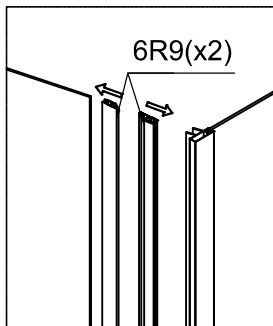
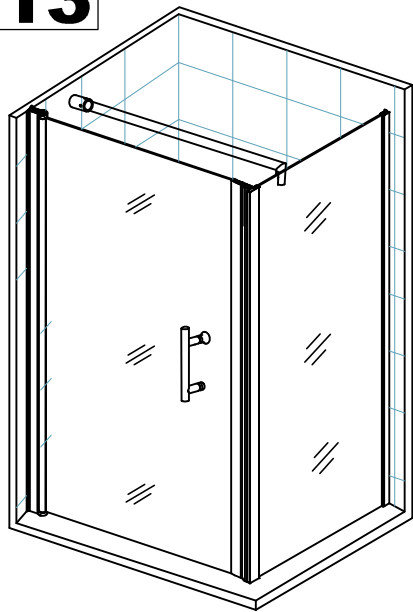
**11**



**12**



**13**



**14**

