

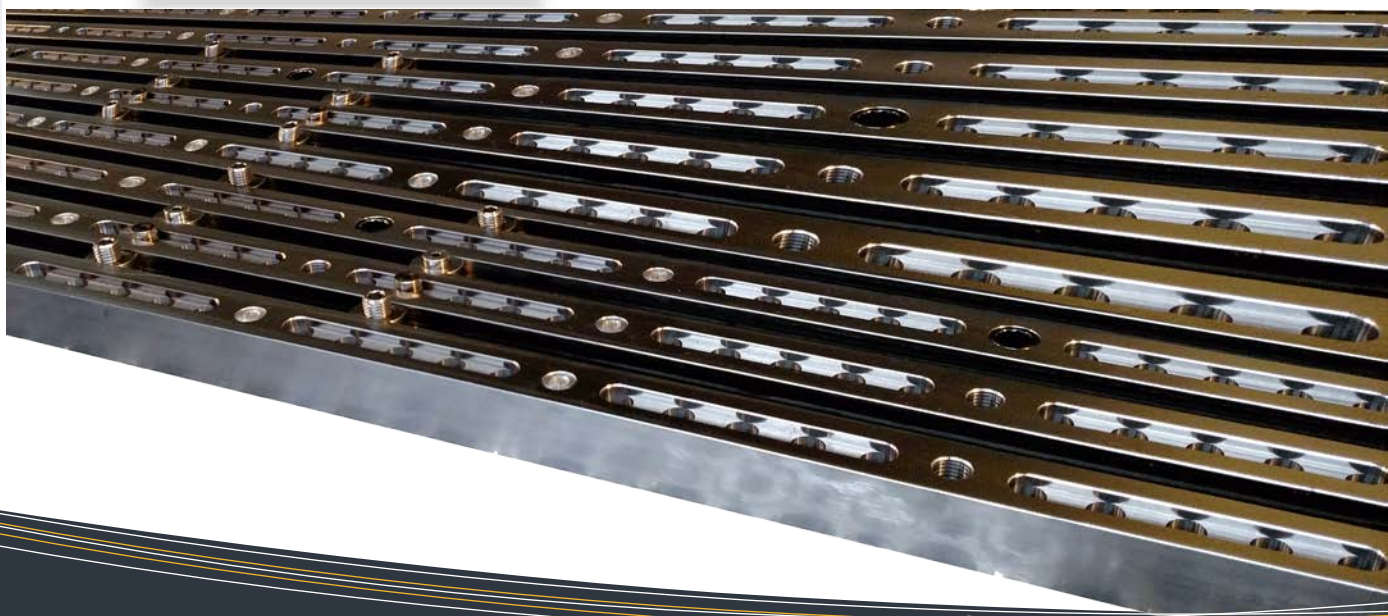
Quick Change Kurt Vises & Similar

Finally!

- ✓ T-Slot based products facilitate lowest cost work-holding.
- ✓ Patent-Pending Work-holding system eliminates much of the 'typical' hardware.
- ✓ Go to work immediately – no setup required. Just slide into place!
- ✓ Facilitates quick-change of Kurt Vises and similar.
- ✓ Promotes standardization.

ELIJAH
TOOLING
TOOLING

ELIJAH
TOOLING



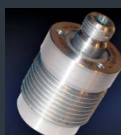
“The name **you can trust**”

Elijah Tooling, Inc.

Toll Free: 877-462-2658

Fax: 940-591-1340

WWW.Invert-a-Bolt.com



Invert-a-Bolt™

PRODUCTS

TOOLING FOR TODAY'S MANUFACTURER

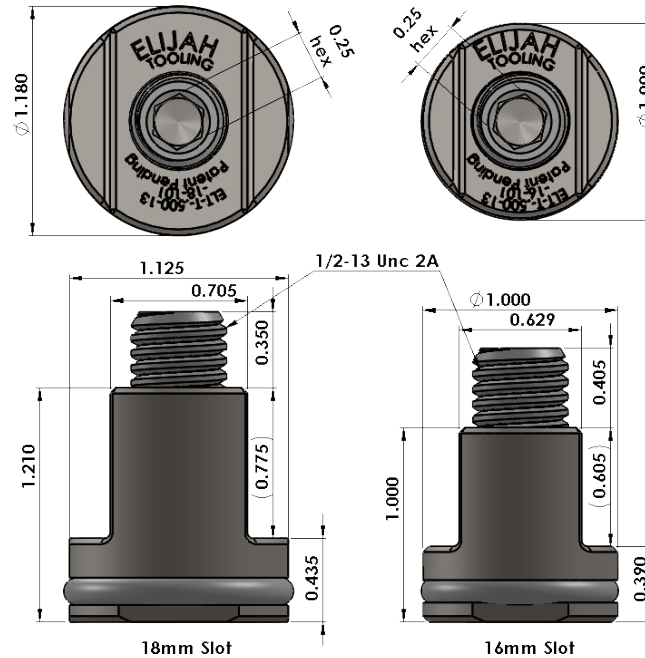
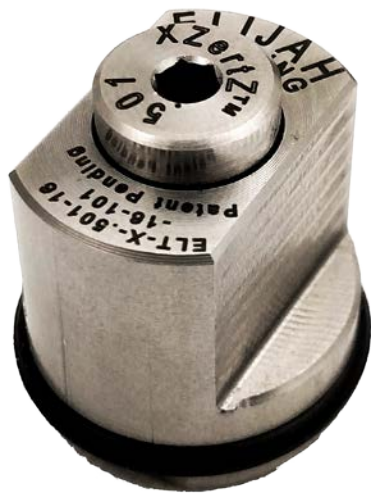
**Universal T-Slot
Fixture -
Modular Tooling**

Innovative to the core

Specially designed to save you money

Patent-Pending Xzertz™ retractable dowel pin based T-Slot locator slides into place and is biased into the slot to hold it in place.

A standard grid pattern is established to accept the T-Slot locator.



Patent-pending Invert-A-Bolt™ Quarter-Turn T-Slot fastener slides into location in the T-Slot. This device is flush mounted below the surface of the fixture until ready for use. Only purchase the number needed for the operation. Ease of use and precision of the slots/ product facilitate modular type usage.

www.invert-a-bolt.com

Toll Free 877-462-BOLT (2658)