

www.invert-a-bolt.com

works with existing hardware
threaded insert
foolproof
easy to use
faster
high quality
painless removal
install in seconds
smart
precise location
rapid installation
bushing
save your fixture
production fixturing
lean MFG
repeatability
simplify
stainless steel
six sigma
JIT
simple
quick
durable
workholding
production
XZertZ
dowel pin
self-tapping



EZE-DRIVE™

877-462-BOLT
www.invert-a-bolt.com
1025 Shady Oaks Drive, #103-104
Denton, TX 76205

Zip Bushing™

Precision Threaded Locator
Bushing

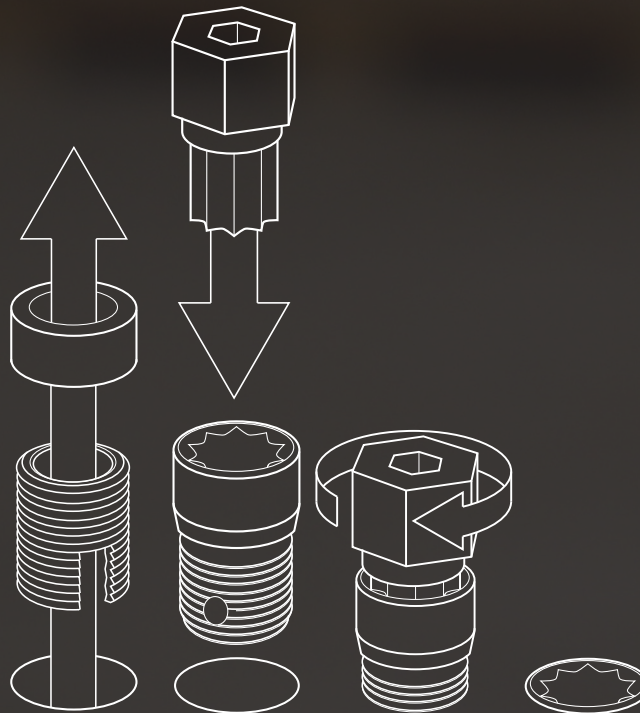


A Bushing and a Threaded Insert Combined Into One



- All the functionality of bushings and threaded inserts while being much simpler to install.
- Only one piece to deal with, no need to worry about alignment issues.

Install in Seconds



- EZE-Drive™ system makes installation a breeze; all you need is an impact wrench, our ten-point driver, and a few seconds.

Effortless Removal

- ZipBushings™ can be removed just as easily as they can be installed.
- Relocate them as much as you need and never risk getting a threaded insert or a bushing stuck again.
- Available in a loose or tight tolerance.
- Self-tapping in soft metals.

