

Product: **Silicone Rubber Keyboard**

Typenumber: **HT RKTE85x-W-MC1**

Last Revised: **10 Sep 2019**
Revision#: **00_02**

RKTE85 Silicone Rubber Keyboard - External Module

Description:

The Hatteland Technology Full travel rubber Keyboard with 85 key keyboard features a compact rubber keyboard with integrated waterproof ergonomic trackball. The backlit keys warrant for optimized performance while working in low-light environments. Panel mount and desktop version available.

Features:

• Compact layout	92 full travel rubber keys
• Backlight	Dimmable backlight at 8 levels by two dedicated keys
• LED	Low power LED's warrant for a long life
• Test and certificate	Certificate of Conformity fully compliant with IEC60945
• Power requirements	Powered directly from USB port

Technical Specifications:

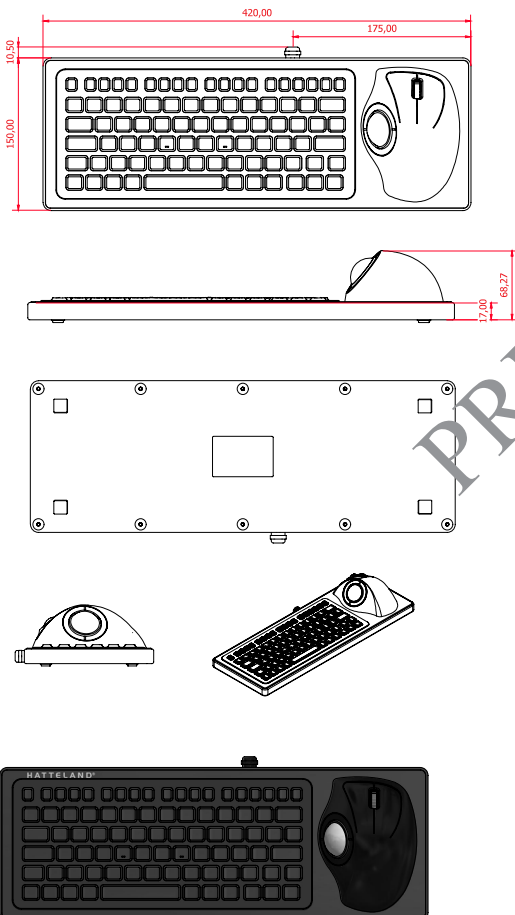
Sealing:	IP67 sealed
Keys:	92 full travel rubber keys
Pointing Device:	25 mm optical trackball
Power requirements:	Directly from USB port
Output:	1x 1.8m. USB cable (panel mount) 1x 1.6m. USB cable (enclosed)
Operating temperature:	0°C to +60°C
Switch force	210 grams
Switch stroke	2 mm

Physical Specifications:

Desktop mount dimensions:	350mm x 159mm x 36mm
Desktop mount Weight:	0.6kg/1.32lbs
Panel mount dimensions:	354.5mm x 163.5mm x 38.6mm
Panel mount weight:	0.7kg/1.54lbs

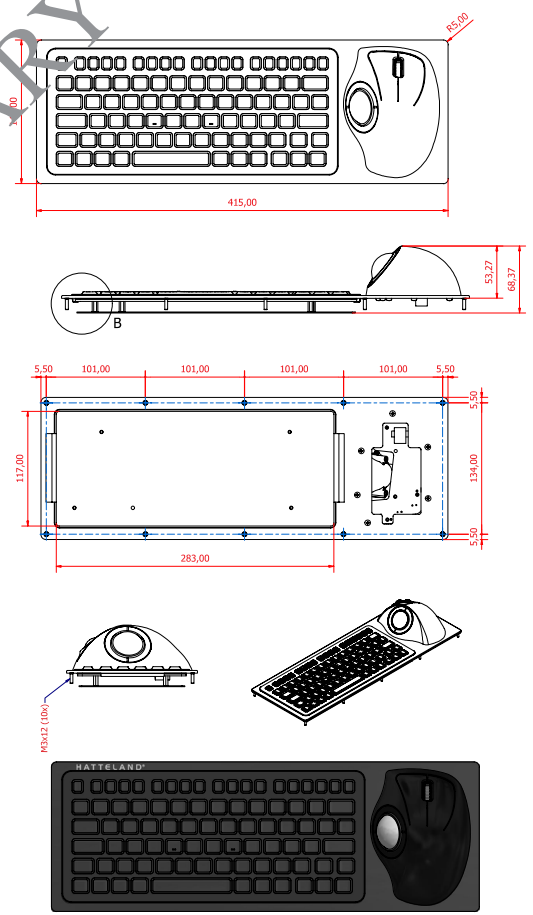
Illustrations for desktop mount

HT RKTE85S-W-MC1



Illustrations for panel mount

HT RKTE85B-W-MC1



Dimensions might be shown with or without decimals and indicated as mm [inches]. Tolerance on drawings is +/- 1mm. For accurate measurements, check relevant DWG file.